



US00D550980S

(12) **United States Design Patent**  
**Dixon**

(10) **Patent No.:** **US D550,980 S**

(45) **Date of Patent:** **\*\* Sep. 18, 2007**

(54) **TRASH BAG STAND**

(76) **Inventor:** **Joshua Dixon**, 3529 Cannon Rd., #2B,  
Oceanside, CA (US) 92056

(\*\*) **Term:** **14 Years**

(21) **Appl. No.:** **29/261,305**

(22) **Filed:** **Jun. 13, 2006**

(51) **LOC (8) Cl.** ..... **06-04**

(52) **U.S. Cl.** ..... **D6/396**

(58) **Field of Classification Search** ..... D6/396,  
D6/335-337, 340, 349, 355, 381, 495, 369-370,  
D6/352-353, 499-502; 297/99, 95, 16.1,  
297/97, 100, 101, 452.11, 175, 164, 172,  
297/173, 217.1, 31, 170, 436, 98, 423.16,  
297/232; 108/118, 119, 137; 211/200, 60.1,  
211/113, 189

See application file for complete search history.

(56) **References Cited**

**U.S. PATENT DOCUMENTS**

241,765	A *	5/1881	Wever	220/9.3
1,491,801	A *	4/1924	Holbrook	248/164
2,676,709	A *	4/1954	Walsh	211/27
2,939,584	A *	6/1960	Bergman, Jr.	211/27
3,033,379	A *	5/1962	Clark	211/200
3,157,136	A *	11/1964	Moody	211/27
3,502,291	A *	3/1970	Ackerman et al.	248/97
3,633,932	A *	1/1972	Holden	211/27
3,659,816	A *	5/1972	Wilson	248/97
3,839,754	A *	10/1974	Hooper	5/98.2
3,893,648	A *	7/1975	Gilbert	248/97
4,029,318	A *	6/1977	Boss	273/390
4,613,104	A *	9/1986	Garrott	248/97
4,823,965	A *	4/1989	Hughes	211/60.1

4,886,229	A *	12/1989	Aripze-Gilmore	248/125.1
4,953,815	A *	9/1990	Beymer et al.	248/97
4,974,525	A *	12/1990	Sheffield	108/118
5,146,635	A *	9/1992	Gastle et al.	5/620
5,190,254	A *	3/1993	Maguire	248/164
5,470,039	A *	11/1995	Hilger	248/164
6,092,769	A *	7/2000	Brown	248/166
6,334,593	B2 *	1/2002	Inoue	248/95
6,547,195	B1 *	4/2003	Kokuzian et al.	248/129
7,032,868	B2 *	4/2006	Mutert	248/99
D521,205	S *	5/2006	Fan	D34/6
D530,931	S *	10/2006	Gilbert	D6/353
7,156,350	B1 *	1/2007	Velasquez	248/97
2003/0024886	A1 *	2/2003	Belle	211/24

**FOREIGN PATENT DOCUMENTS**

GB 2105581 A \* 3/1983

\* cited by examiner

*Primary Examiner*—Janice E. Seeger

*Assistant Examiner*—Sydney R. Buffalow

(74) *Attorney, Agent, or Firm*—Steven W. Webb

(57) **CLAIM**

The ornamental design for a trash bag stand, as shown and described.

**DESCRIPTION**

FIG. 1 is a perspective view of a trash bag stand;

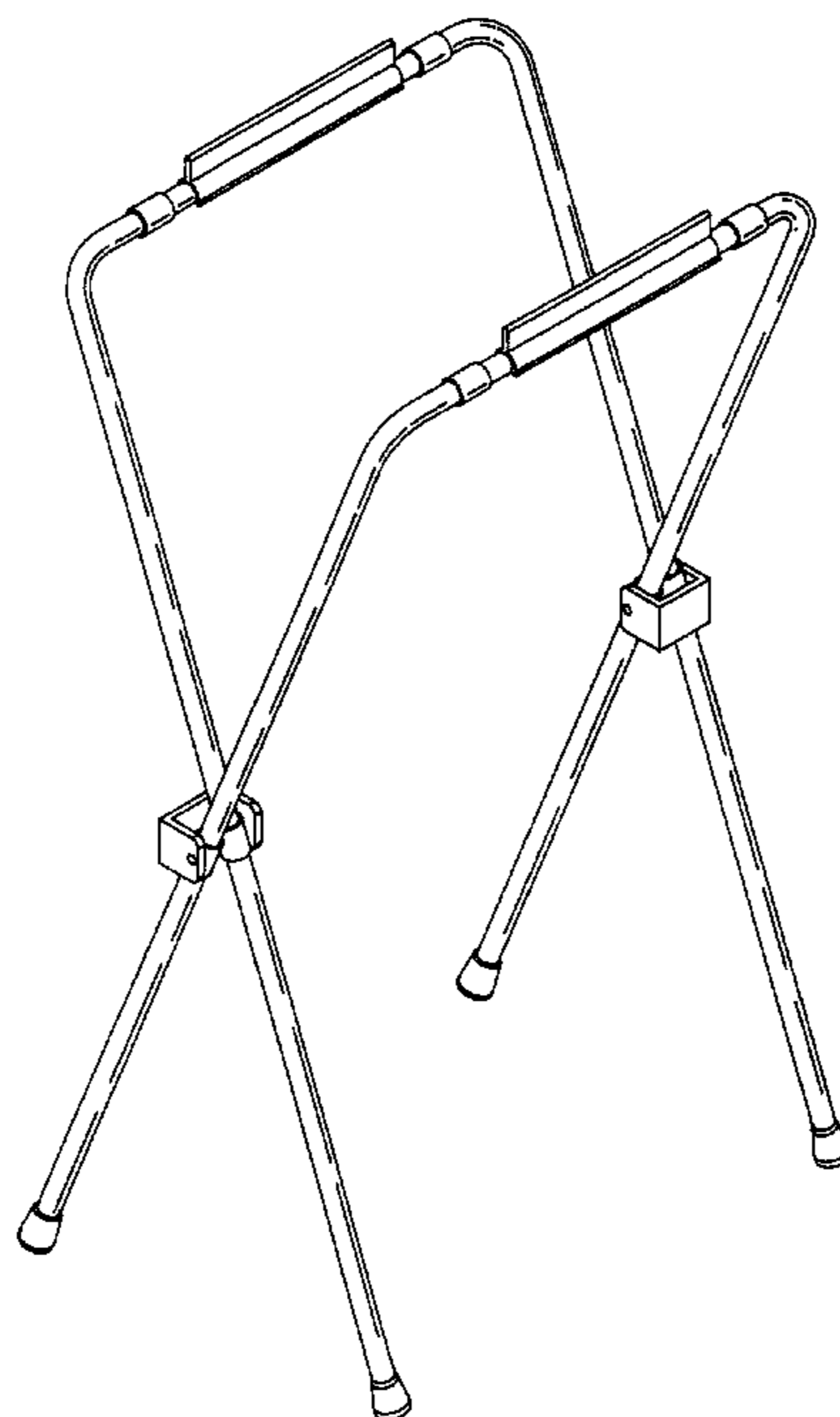
FIG. 2 is a side view thereof;

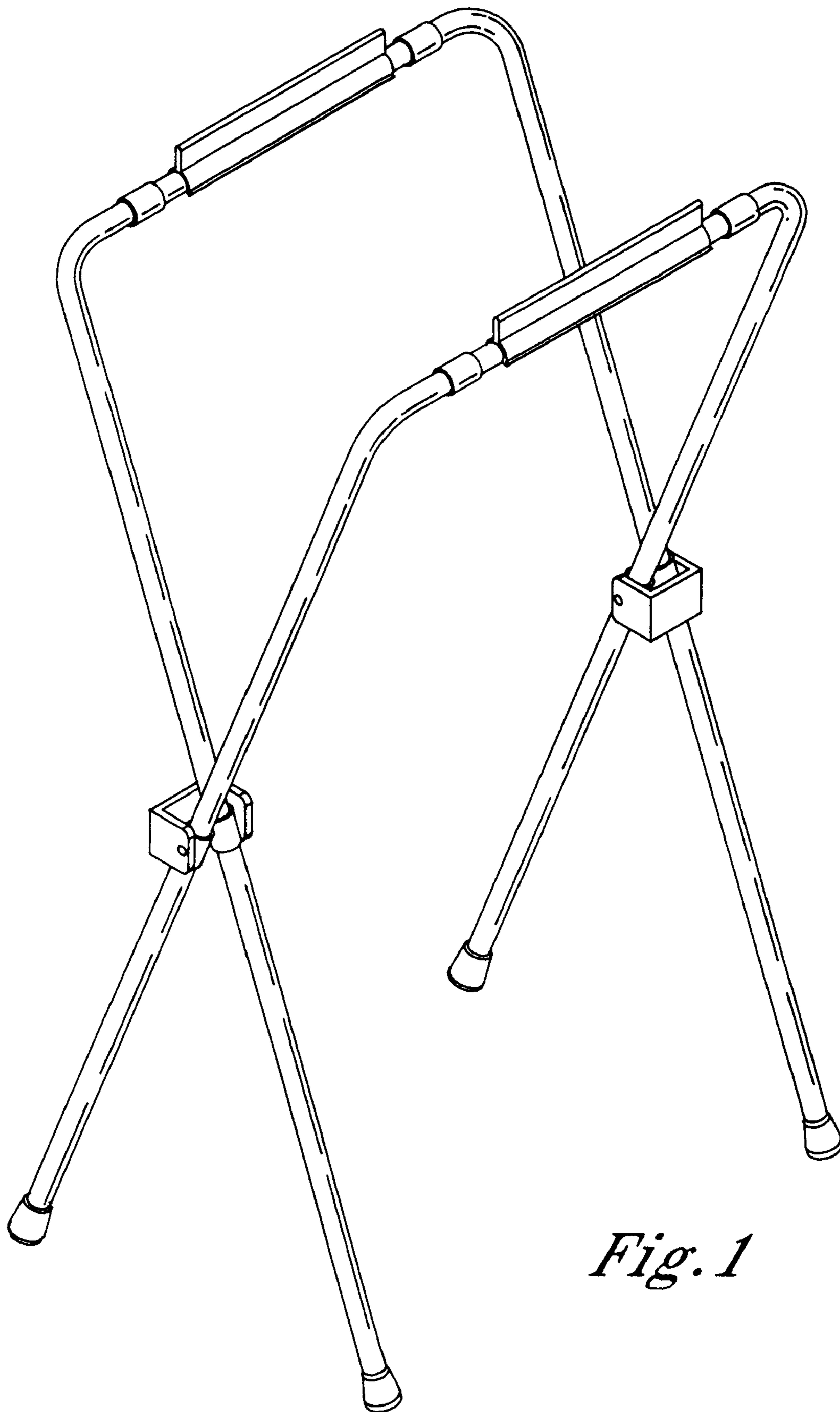
FIG. 3 is a front view thereof;

FIG. 4 is a top view thereof; and,

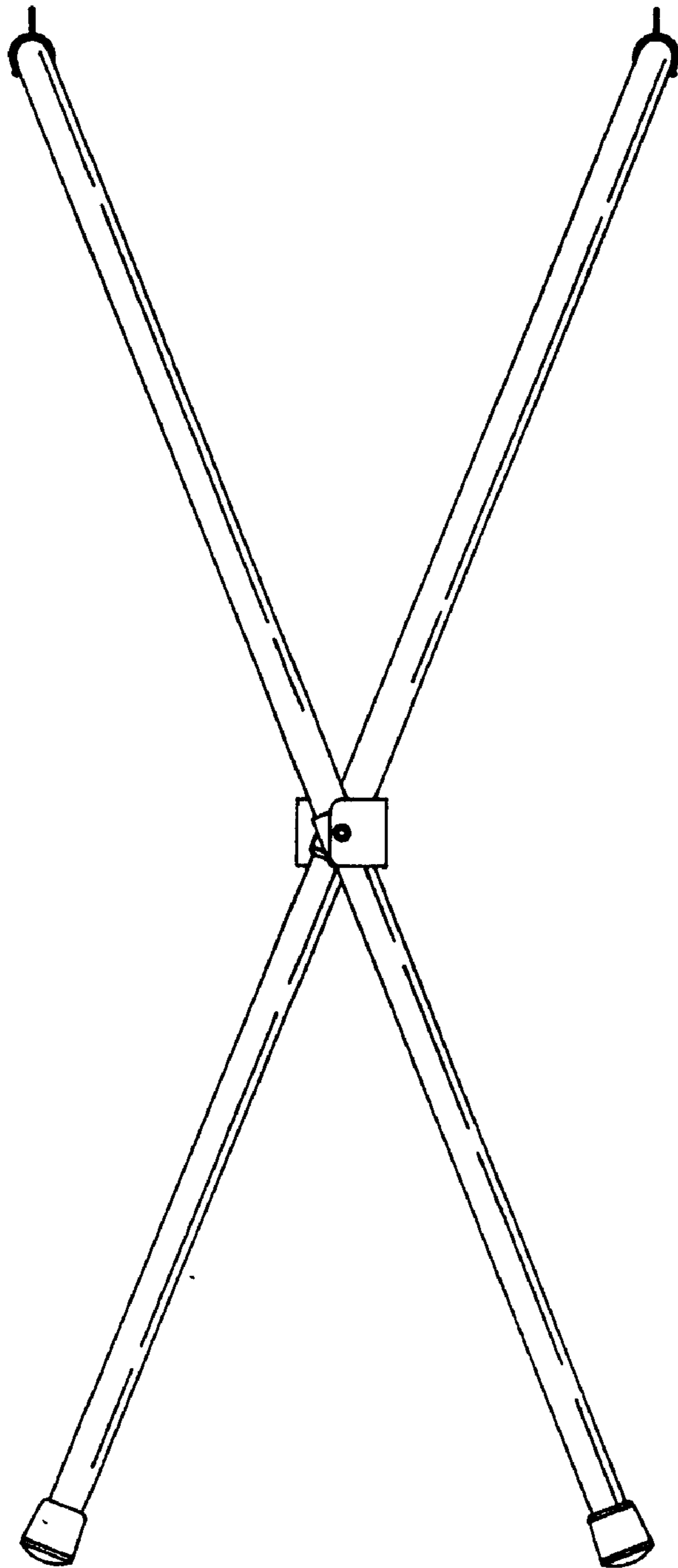
FIG. 5 is a bottom view.

**1 Claim, 4 Drawing Sheets**

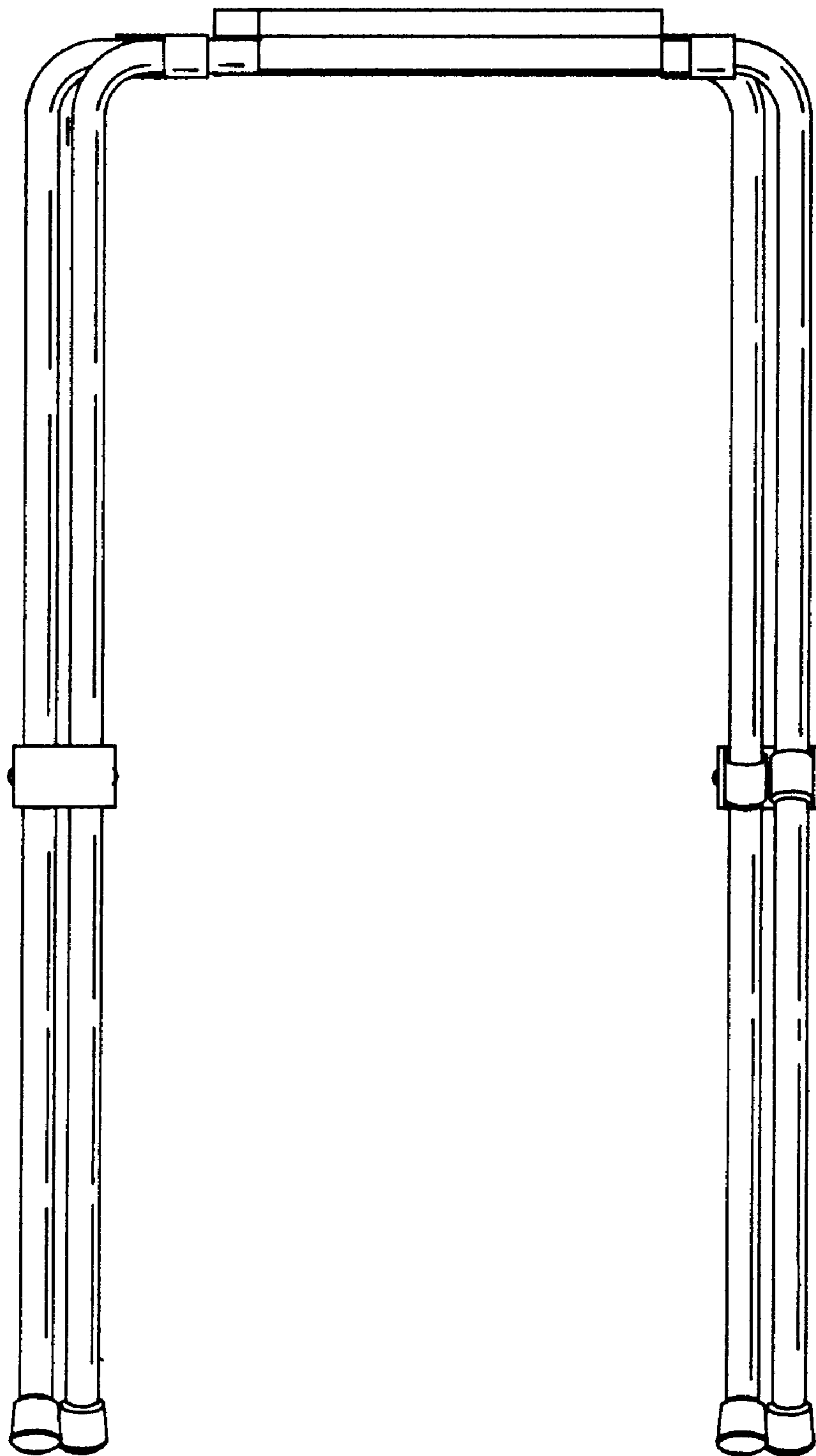




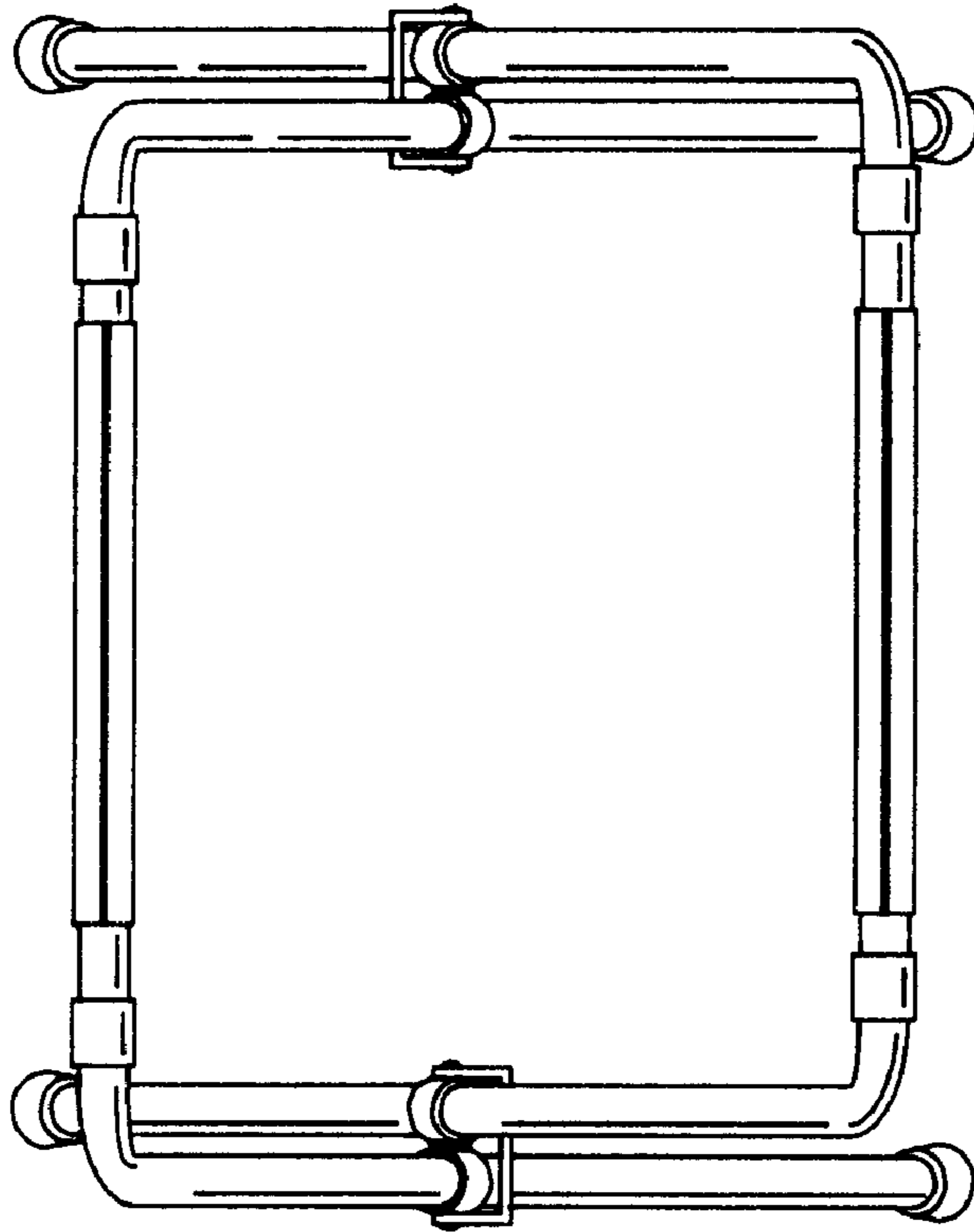
*Fig. 1*



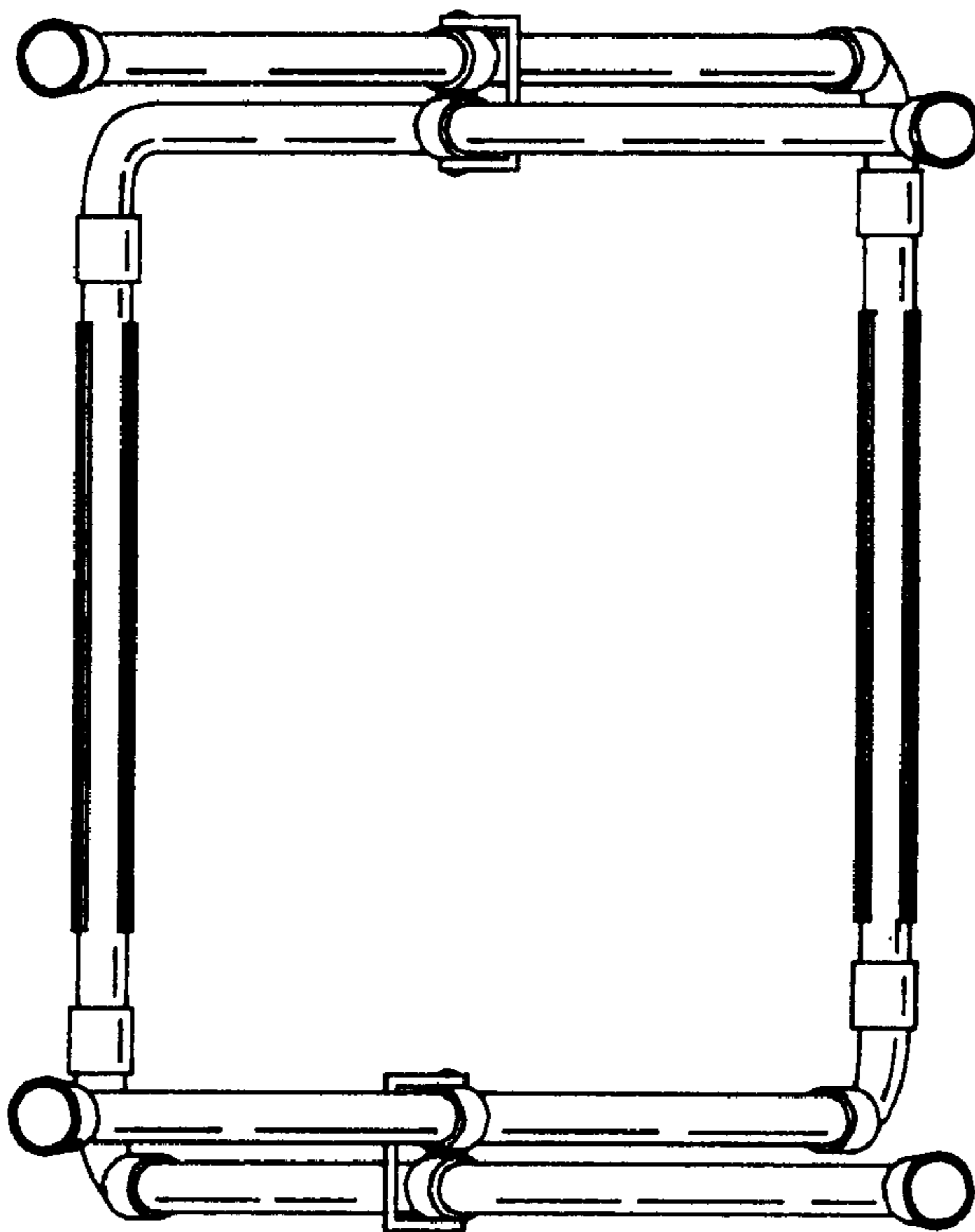
*Fig. 2*



*Fig. 3*



*Fig. 4*



*Fig. 5*