



US00D550976S

(12) **United States Design Patent**
Bellini et al.

(10) **Patent No.:** **US D550,976 S**

(45) **Date of Patent:** **** Sep. 18, 2007**

(54) **CHAIR**

(75) Inventors: **Mario Bellini**, Milan (IT); **Claudio Bellini**, Milan (IT)

(73) Assignee: **Vitra Patente AG**, MuttENZ (CH)

(**) Term: **14 Years**

(21) Appl. No.: **29/256,815**

(22) Filed: **Mar. 24, 2006**

(30) **Foreign Application Priority Data**

Sep. 27, 2005 (CH) 132147

(51) **LOC (8) Cl.** **06-01**

(52) **U.S. Cl.** **D6/366**

(58) **Field of Classification Search** D6/334-336,
D6/364, 365, 366, 367, 369, 379, 380, 500-502;
297/300.2, 300.4, 391, 396, 441.27, 452.29,
297/452.3, 452.35

See application file for complete search history.

(56) **References Cited**

U.S. PATENT DOCUMENTS

D436,260 S *	1/2001	Nagamitsu	D6/366
D436,456 S *	1/2001	Neil	D6/366
D437,132 S *	2/2001	Nagamitsu	D6/366
D437,701 S	2/2001	Bellini et al.		
6,439,661 B1	8/2002	Bräuning		
D462,187 S *	9/2002	Koepke et al.	D6/366
D479,655 S	9/2003	Bellini et al.		
D481,879 S *	11/2003	Su	D6/366
D486,656 S *	2/2004	Su	D6/366
D497,264 S *	10/2004	Wilkinson et al.	D6/366
D506,336 S *	6/2005	Bock	D6/501

* cited by examiner

Primary Examiner—Mimosa De

(74) *Attorney, Agent, or Firm*—McCarter & English, LLP

(57) **CLAIM**

The ornamental design for a chair, as shown and described.

DESCRIPTION

FIG. 1 is a left side front perspective view of a first embodiment of a chair with armrests and a headrest;

FIG. 2 shows a front elevational view of FIG. 1;

FIG. 3 shows a right side view of FIG. 1;

FIG. 4 shows a left side view of FIG. 1;

FIG. 5 shows a left side rear side perspective view of FIG. 1;

FIG. 6 shows a rear elevational view of FIG. 1;

FIG. 7 shows a top plan view of FIG. 1;

FIG. 8 shows a bottom plan view of FIG. 1;

FIG. 9 is a right side front perspective view of a second embodiment of a chair which is essentially identical to the one shown in FIG. 1, except that it is not provided with armrest supports;

FIG. 10 shows a left side front perspective view of FIG. 9;

FIG. 11 shows a front elevational view of FIG. 9;

FIG. 12 shows a right side view of FIG. 9;

FIG. 13 shows a left side rear side perspective view of FIG. 9;

FIG. 14 shows a rear elevational view of FIG. 9;

FIG. 15 shows a top plan view of FIG. 9; and,

FIG. 16 shows a bottom plan view of FIG. 9.

1 Claim, 16 Drawing Sheets

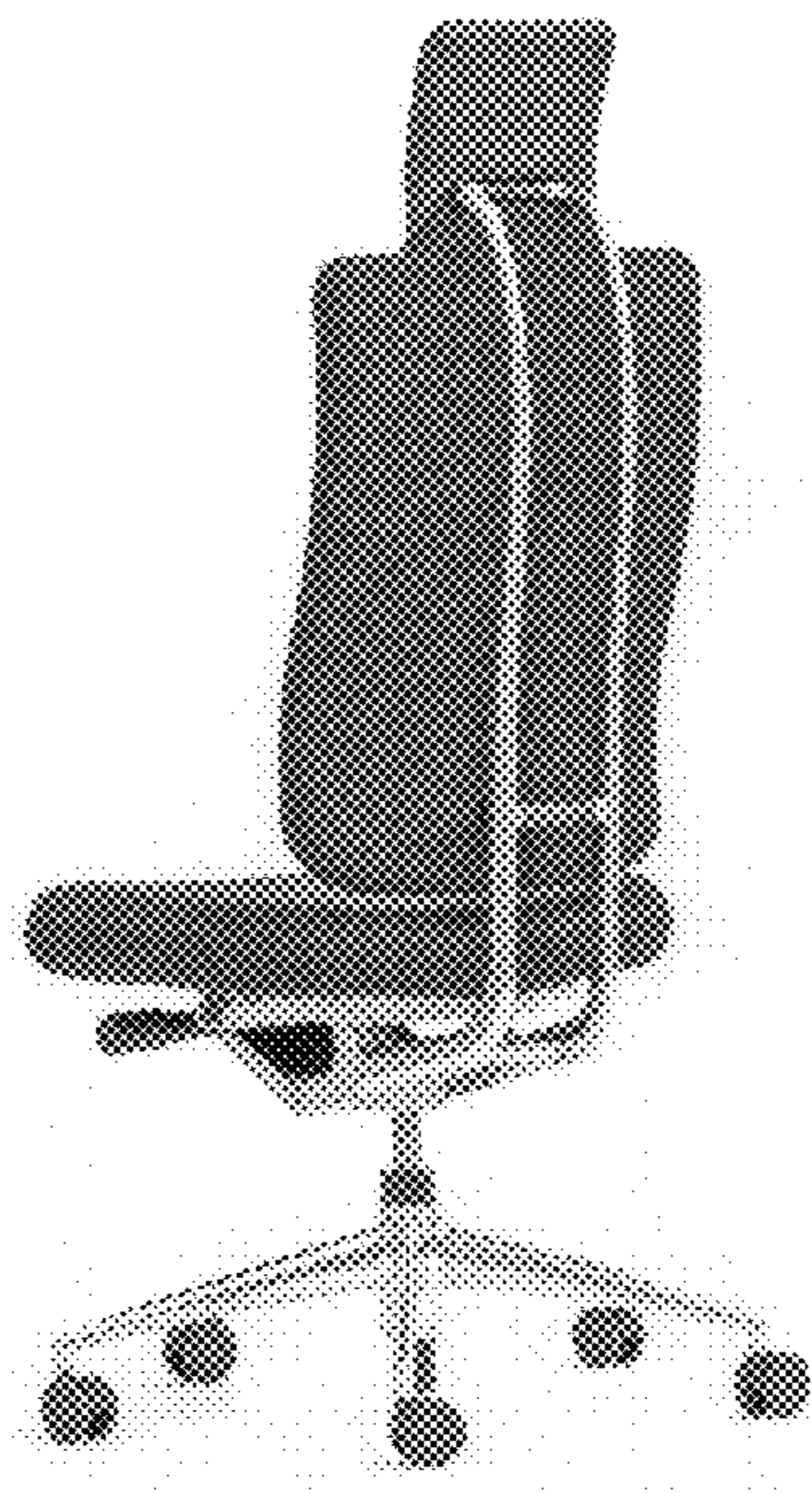




Fig. 1



Fig. 2



Fig. 3



Fig. 4



Fig. 5



Fig. 6



Fig. 7

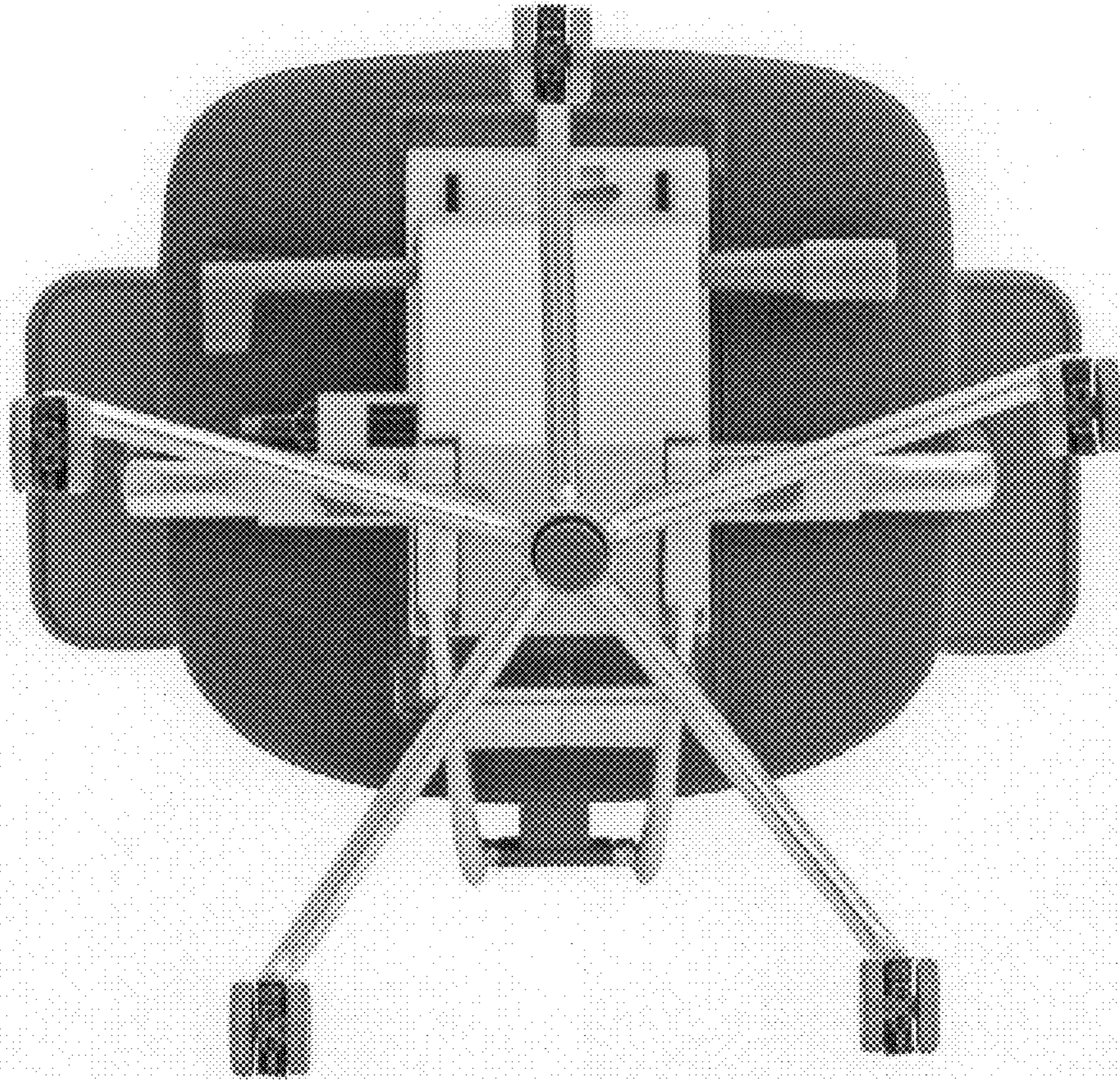


Fig. 8



Fig. 9



Fig. 10



Fig. 11



Fig. 12



Fig. 13

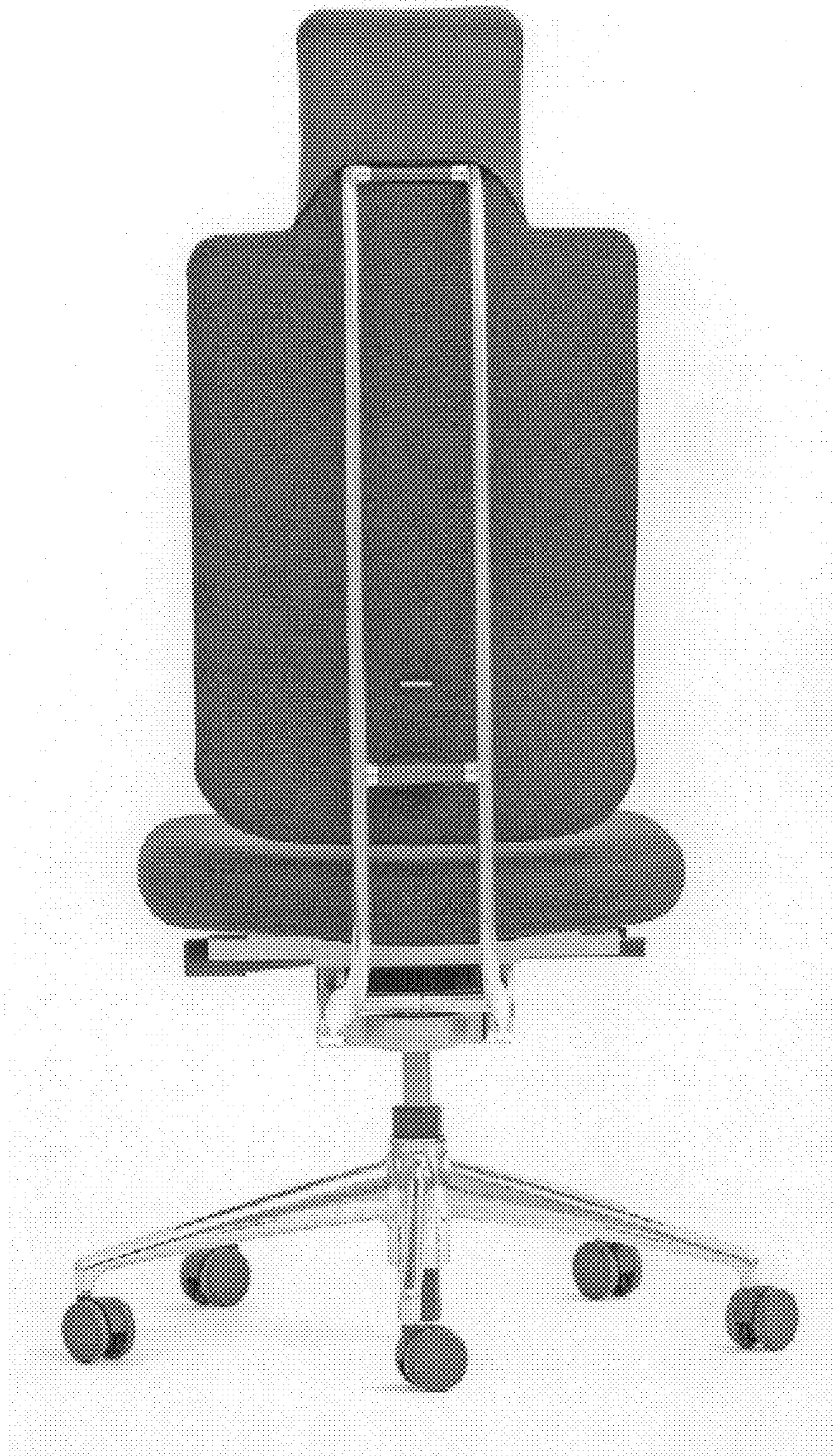


Fig. 14



Fig. 15

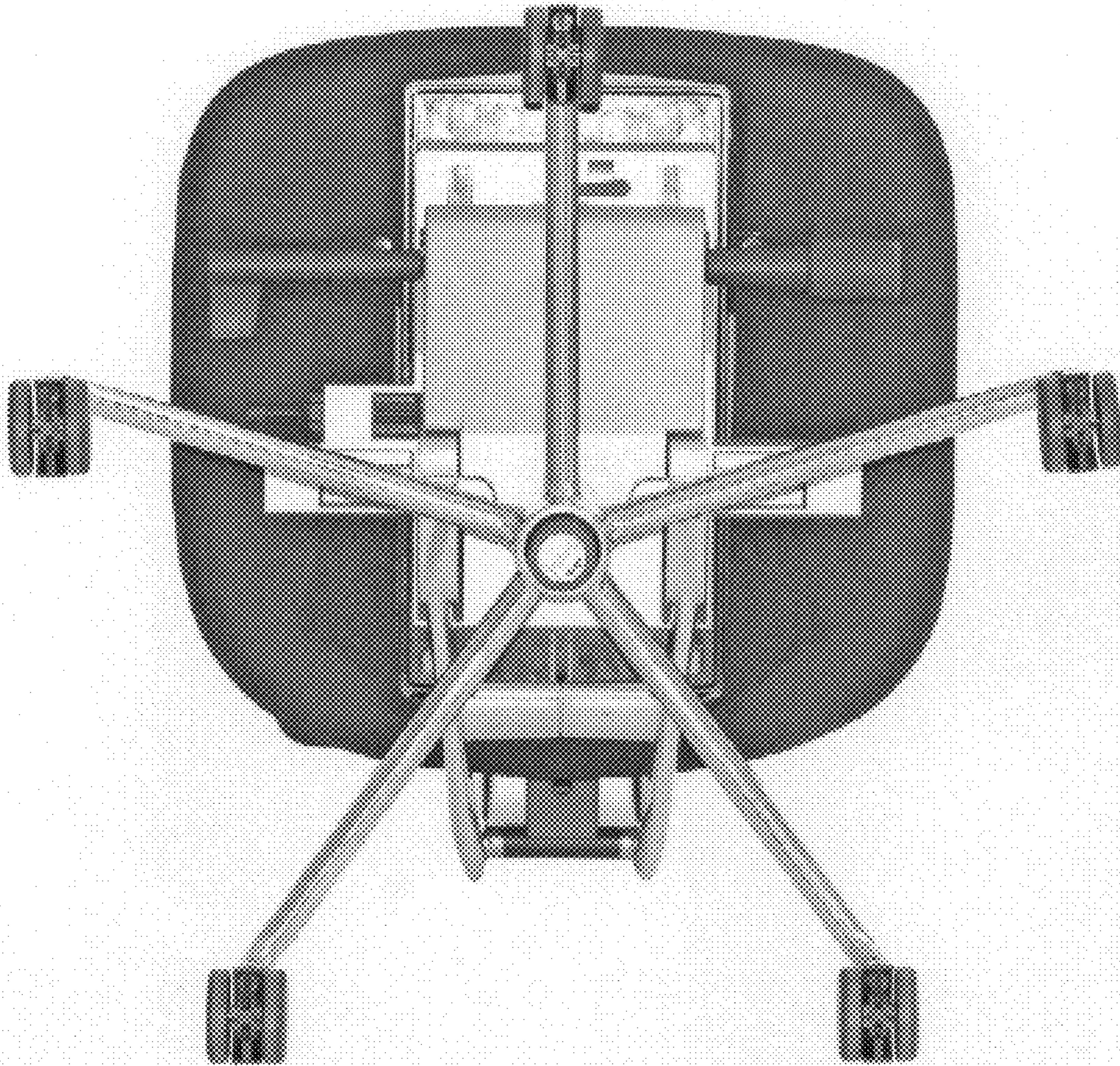


Fig. 16