



US00D550963S

(12) **United States Design Patent**  
**Eskandry**

(10) **Patent No.:** **US D550,963 S**

(45) **Date of Patent:** **\*\* Sep. 18, 2007**

(54) **CONVERTIBLE CARRY-ALL BASKET WITH NON-SKID BOTTOM**

(76) **Inventor:** **Ezra D. Eskandry**, 3802 NE. 207<sup>th</sup> St., TH-5, Aventura, FL (US) 33180

(\*\*) **Term:** **14 Years**

(21) **Appl. No.:** **29/219,900**

(22) **Filed:** **Dec. 27, 2004**

(51) **LOC (8) Cl.** ..... **03-01**

(52) **U.S. Cl.** ..... **D3/307**

(58) **Field of Classification Search** ..... D3/304–315,  
D3/324, 301–303, 282–283, 285–287, 232–233,  
D3/252, 292, 273; 294/137, 170; D9/425;  
D7/304, 607; D12/407; D28/75

See application file for complete search history.

(56) **References Cited**

**U.S. PATENT DOCUMENTS**

3,923,222	A	*	12/1975	Groves	.....	294/157
D326,017	S	*	5/1992	Orosy et al.	.....	D3/205
D328,522	S	*	8/1992	Buck	.....	D3/303
D344,180	S	*	2/1994	Garcia	.....	D12/416
5,379,929	A		1/1995	Eskandry	.....	224/312
D361,548	S	*	8/1995	Bascom	.....	D12/407
D365,207	S	*	12/1995	Lacy	.....	D3/273
5,516,018	A		5/1996	Eskandry	.....	224/312
D373,101	S		8/1996	Eskandry	.....	D12/177
D373,515	S	*	9/1996	Melk	.....	D7/607
5,653,364	A		8/1997	Eskandry	.....	224/312
D397,871	S	*	9/1998	Bellechilli	.....	D3/303
D409,382	S	*	5/1999	Erlanson	.....	D3/233
D409,837	S	*	5/1999	Lacy et al.	.....	D3/306
D430,205	S		8/2000	Eskandry	.....	D19/33
D430,397	S		9/2000	Eskandry	.....	D3/290
D432,981	S		10/2000	Eskandry	.....	D12/417
D433,064	S		10/2000	Eskandry	.....	D19/78
D433,444	S		11/2000	Eskandry	.....	D19/27
D434,366	S		11/2000	Eskandry	.....	D12/417
D434,368	S		11/2000	Eskandry	.....	D12/417
D434,803	S		12/2000	Eskandry	.....	D19/78

D434,901	S		12/2000	Eskandry	.....	D3/284
D435,511	S		12/2000	Eskandry	.....	D12/417
D435,863	S		1/2001	Eskandry	.....	D18/27
D436,916	S		1/2001	Eskandry	.....	D12/417
D502,599	S	*	3/2005	Cabana et al.	.....	D3/292

\* cited by examiner

*Primary Examiner*—Louis S. Zarfes

*Assistant Examiner*—Eric L. Goodman

(74) *Attorney, Agent, or Firm*—Robert C. Kain, Jr.; Fleit Kain

(57) **CLAIM**

I claim the ornamental design for the convertible carry-all basket with non-skid bottom, as shown and described.

**DESCRIPTION**

FIG. 1 is a left side view of the convertible carry-all basket (the right side view being a mirror image of the left side view).

FIG. 2 is a front view of the convertible carry-all basket showing a removable frontal partition.

FIG. 3 is a top plan view of the convertible carry-all basket showing the frontal removable partition and cup holders.

FIG. 4 is a bottom view of the convertible carry-all basket.

FIG. 5 is a rear view of the convertible carry-all basket.

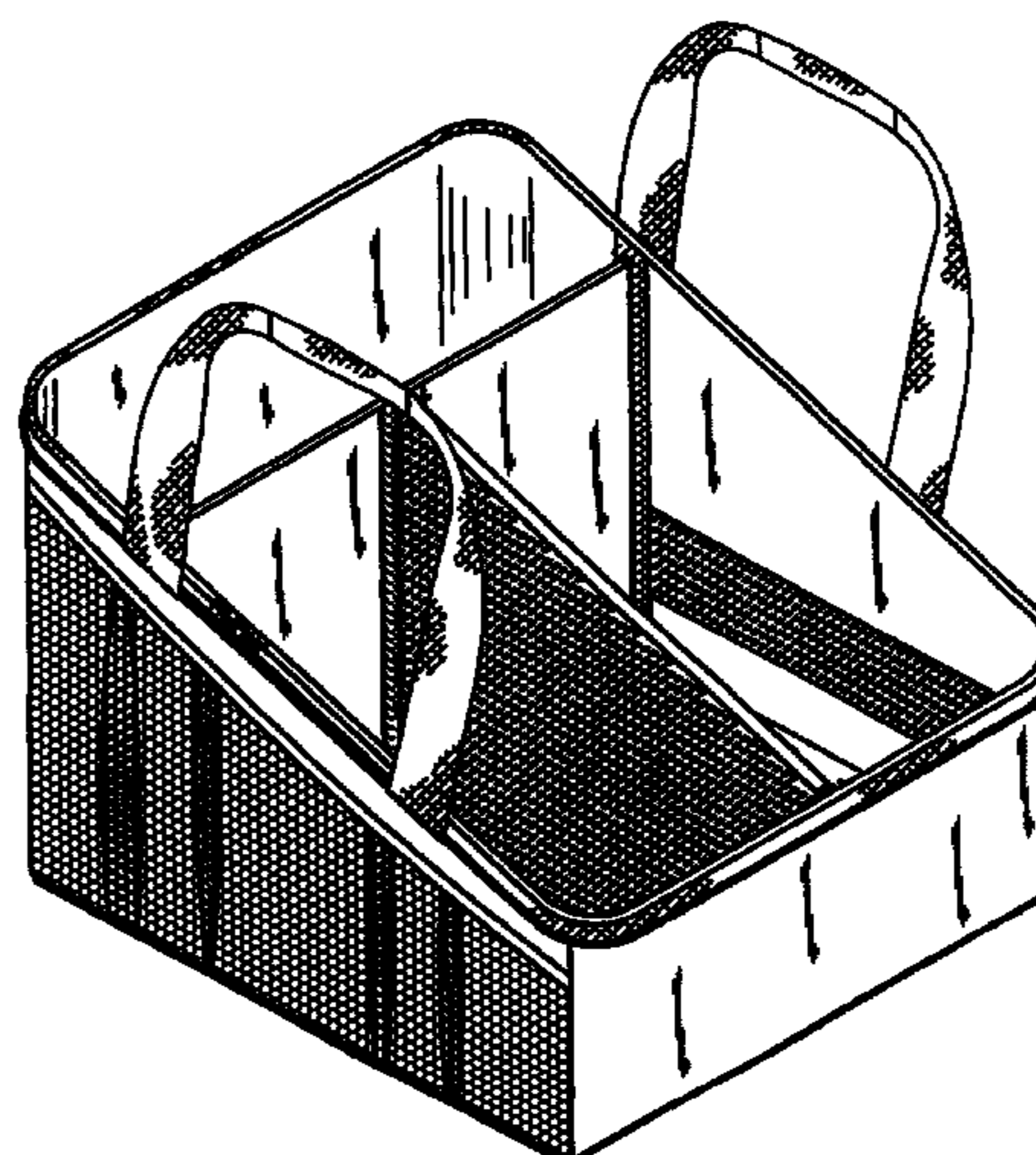
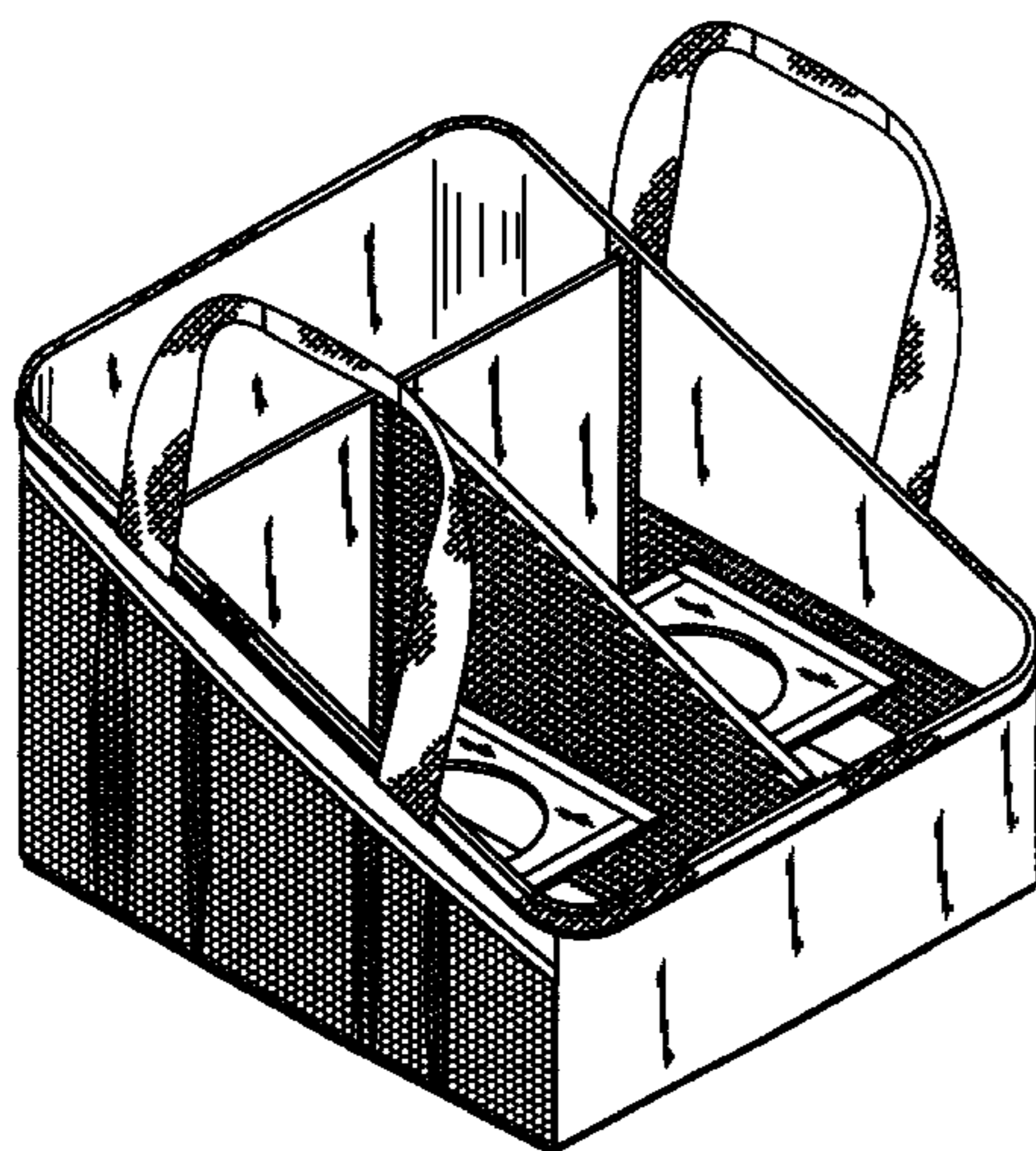
FIG. 6 is a front view of the convertible carry-all basket without the removable frontal partition.

FIG. 7 is a top plan view of the convertible carry-all basket without the removable frontal partition and without cup holders.

FIG. 8 is an upper left side perspective view of the convertible carry-all basket with the removable frontal partition and cup holders shown in FIG. 1; and,

FIG. 9 is an upper left side perspective view of the convertible carry-all basket without the removable frontal partition and without the cup holders shown in FIG. 6.

**1 Claim, 9 Drawing Sheets**





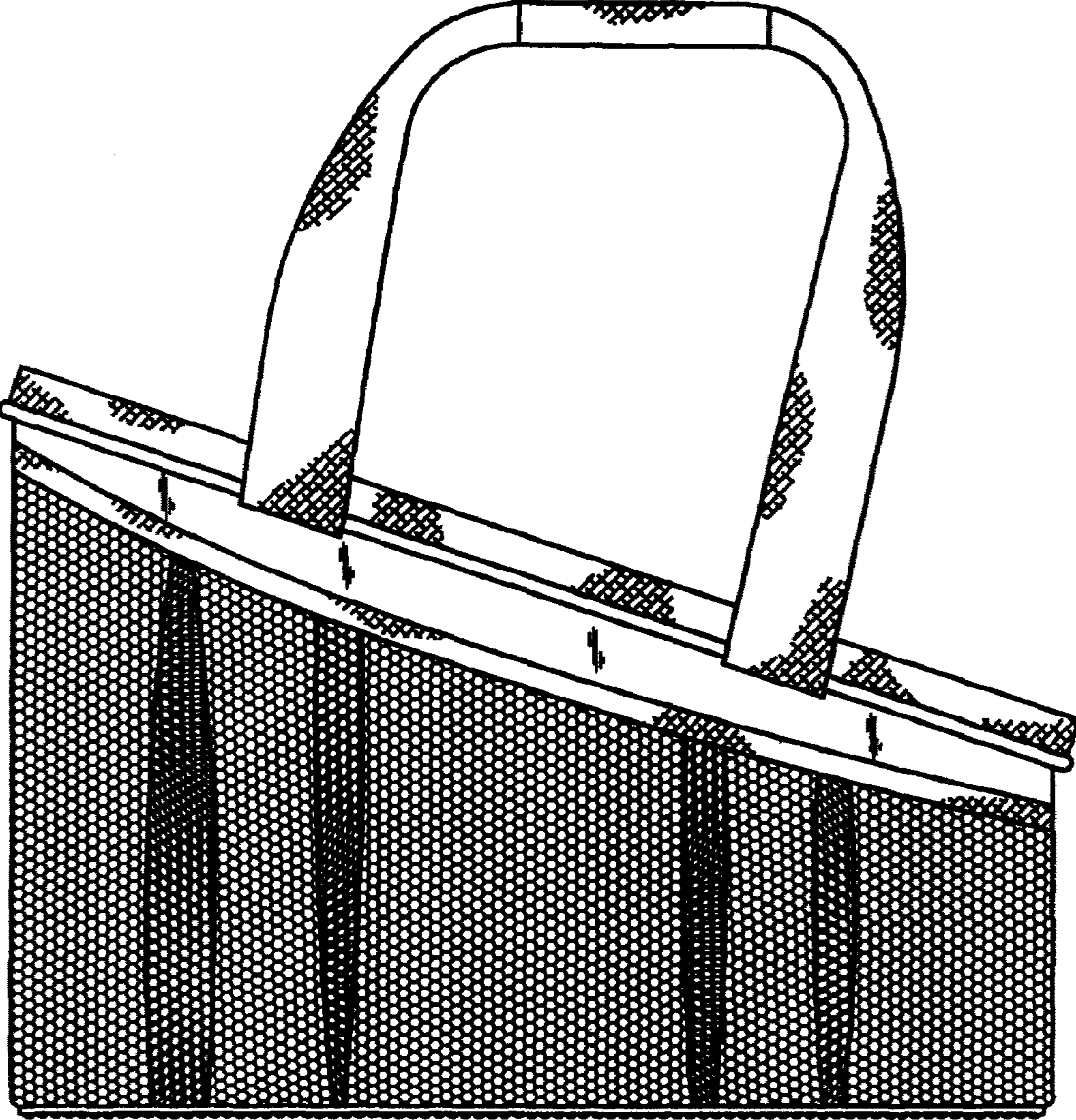


FIG. 1

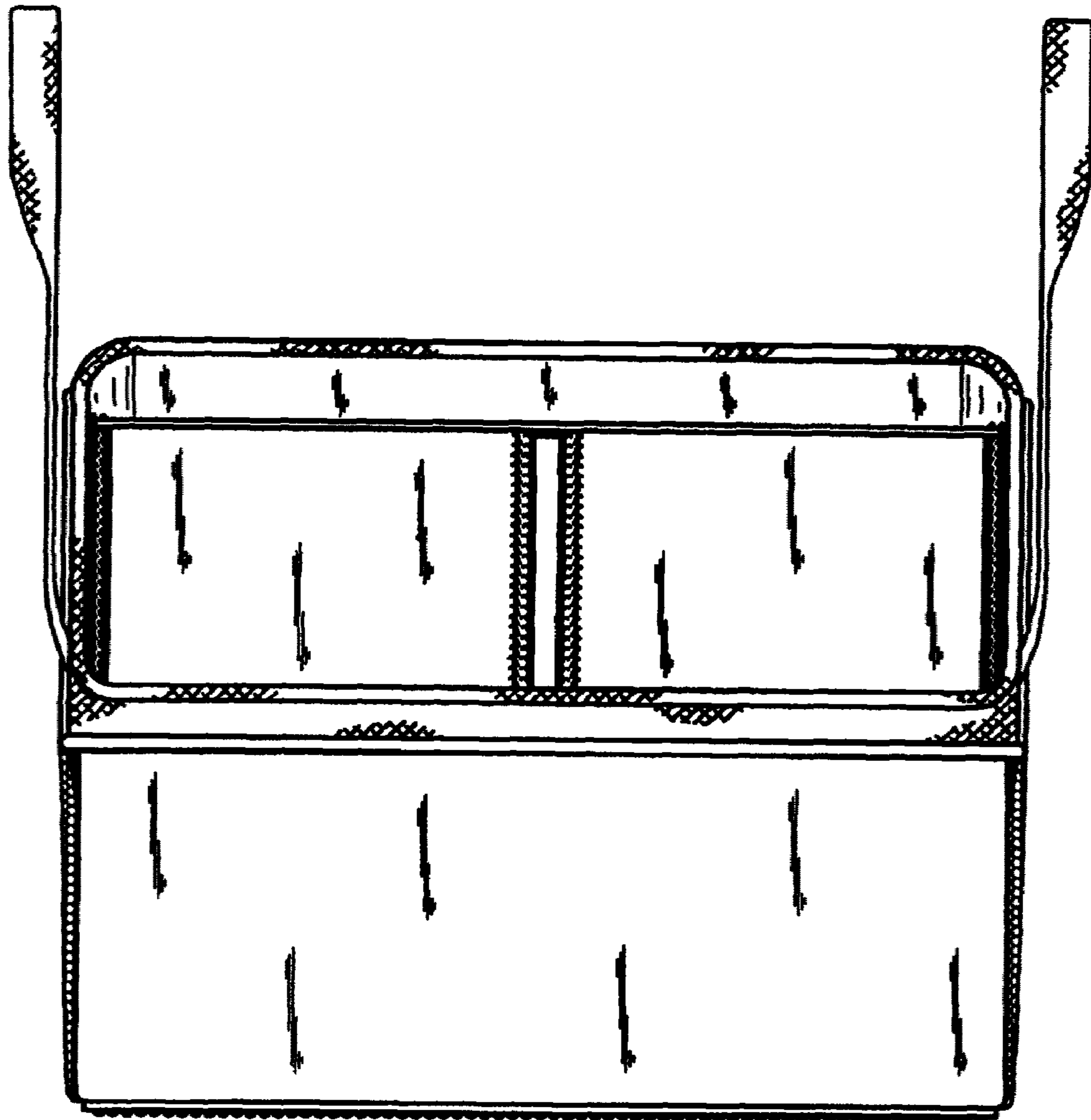


FIG. 2

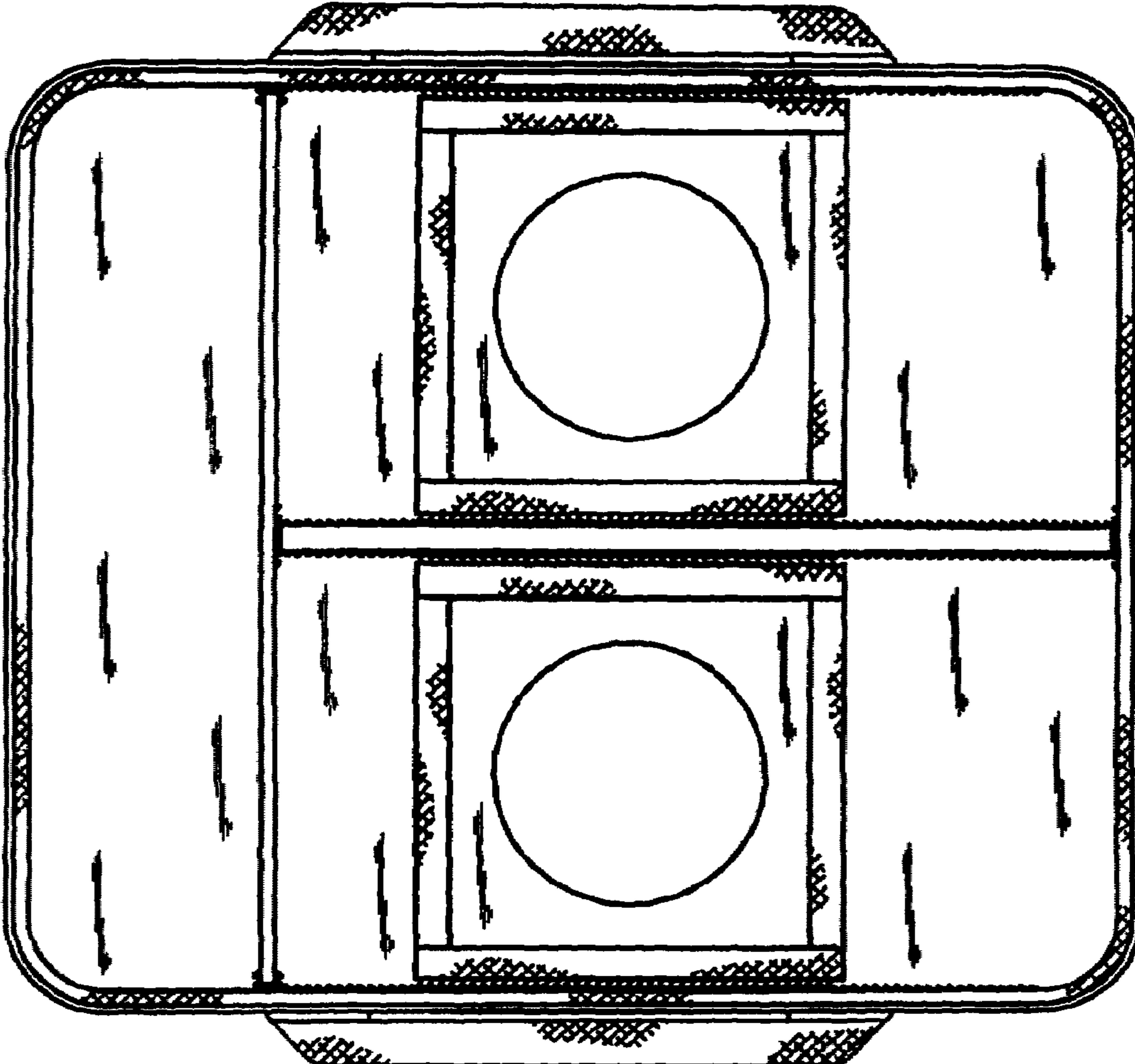


FIG. 3



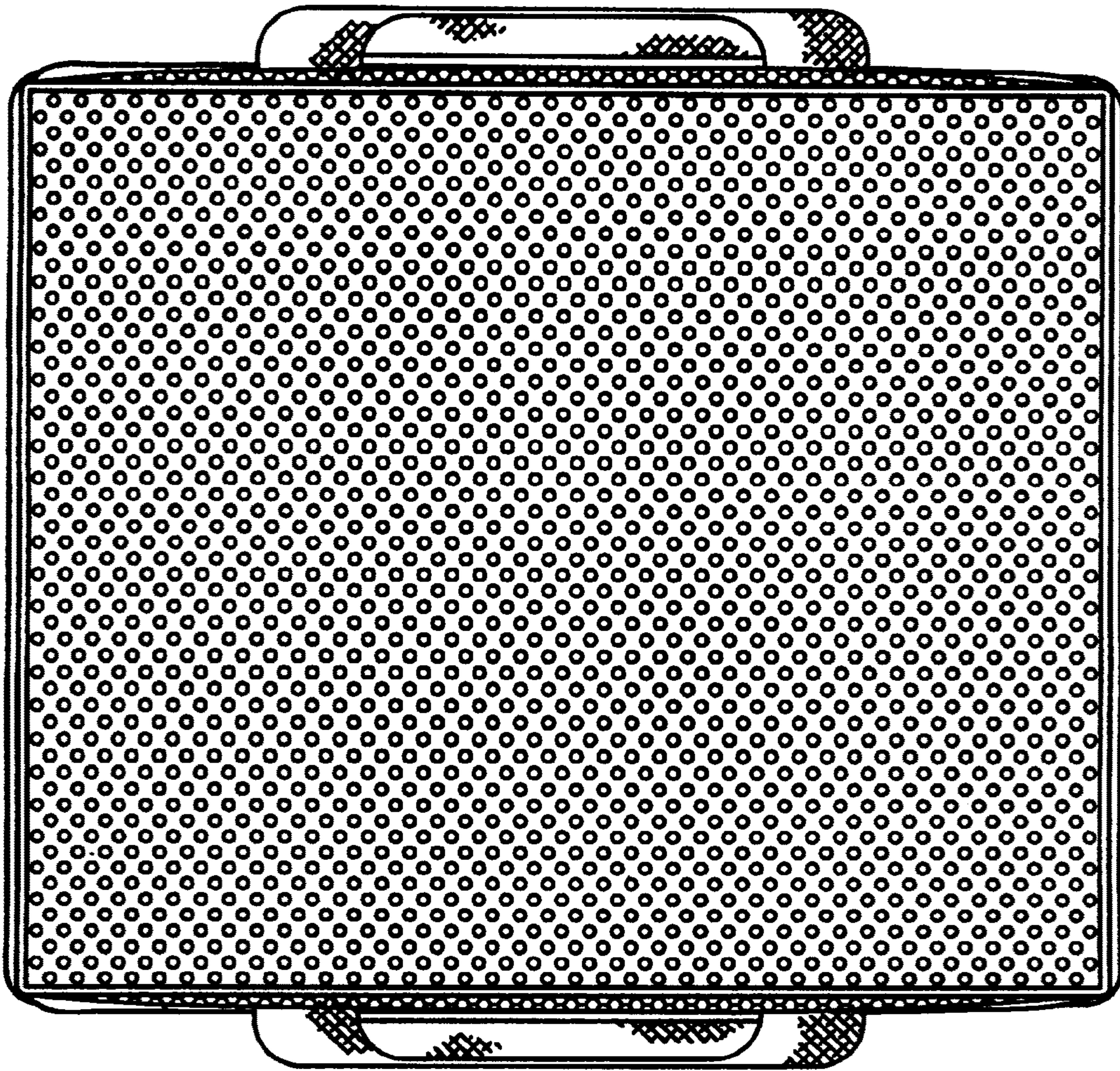


FIG. 4

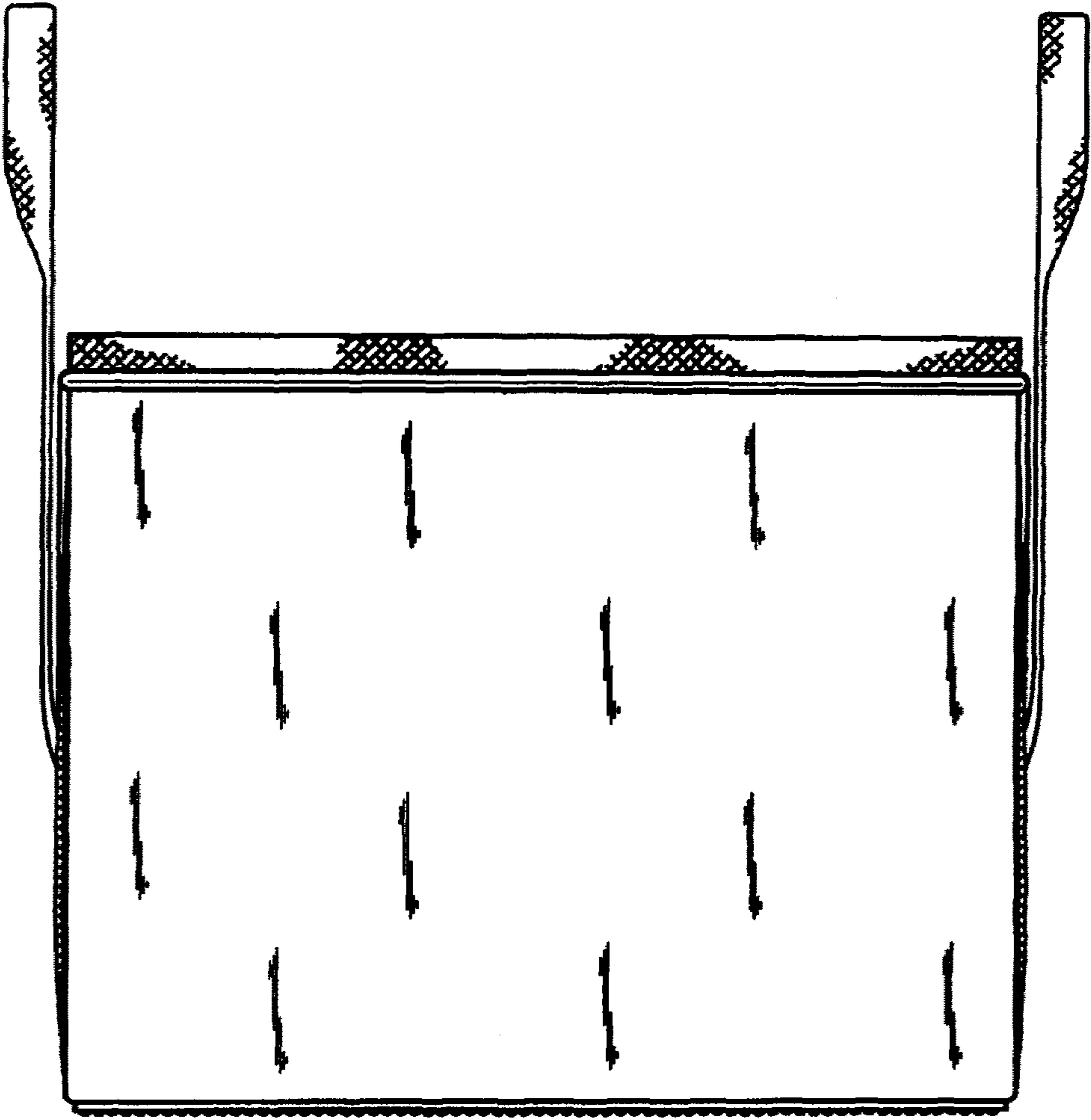


FIG. 5

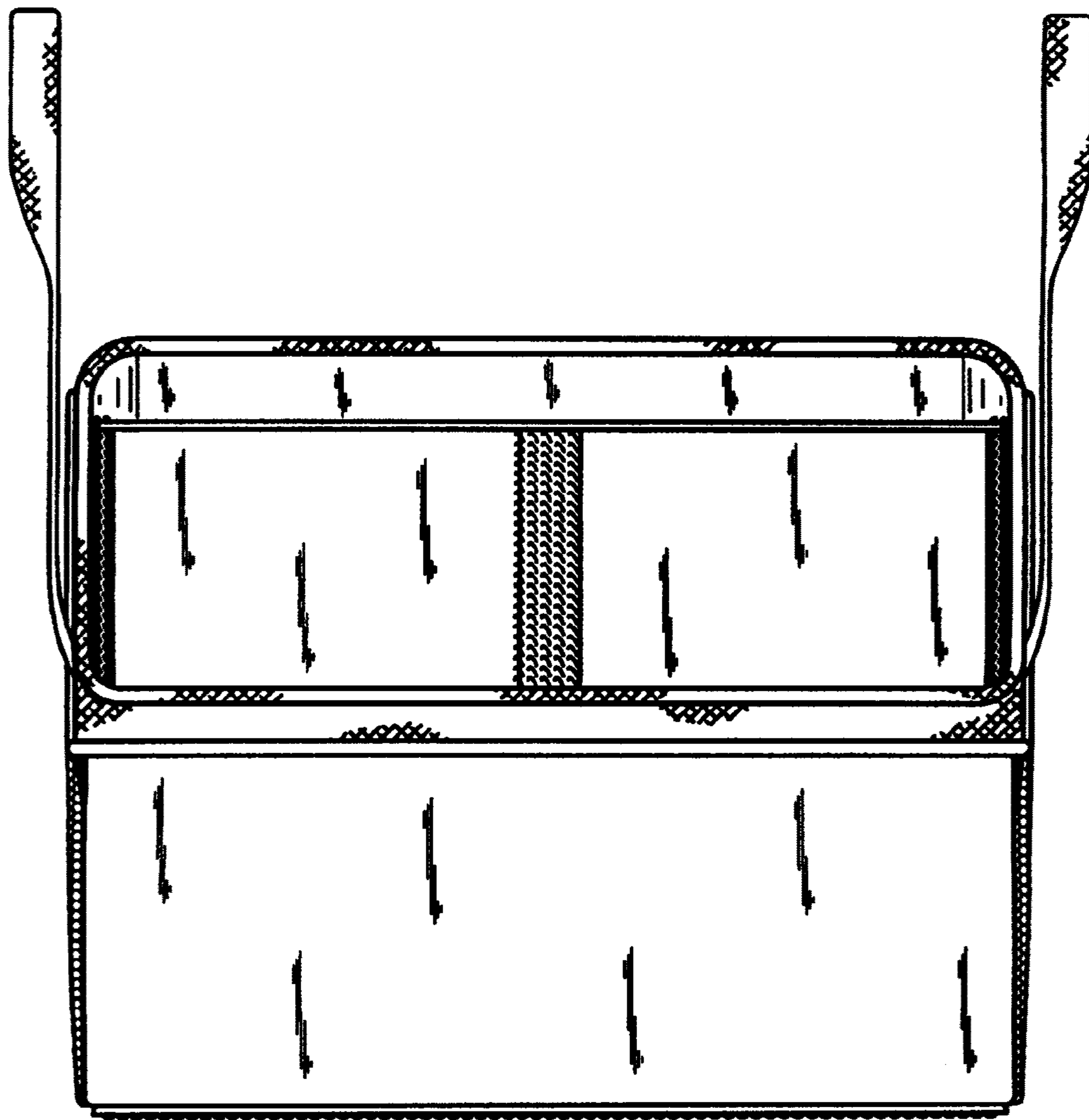


FIG. 6



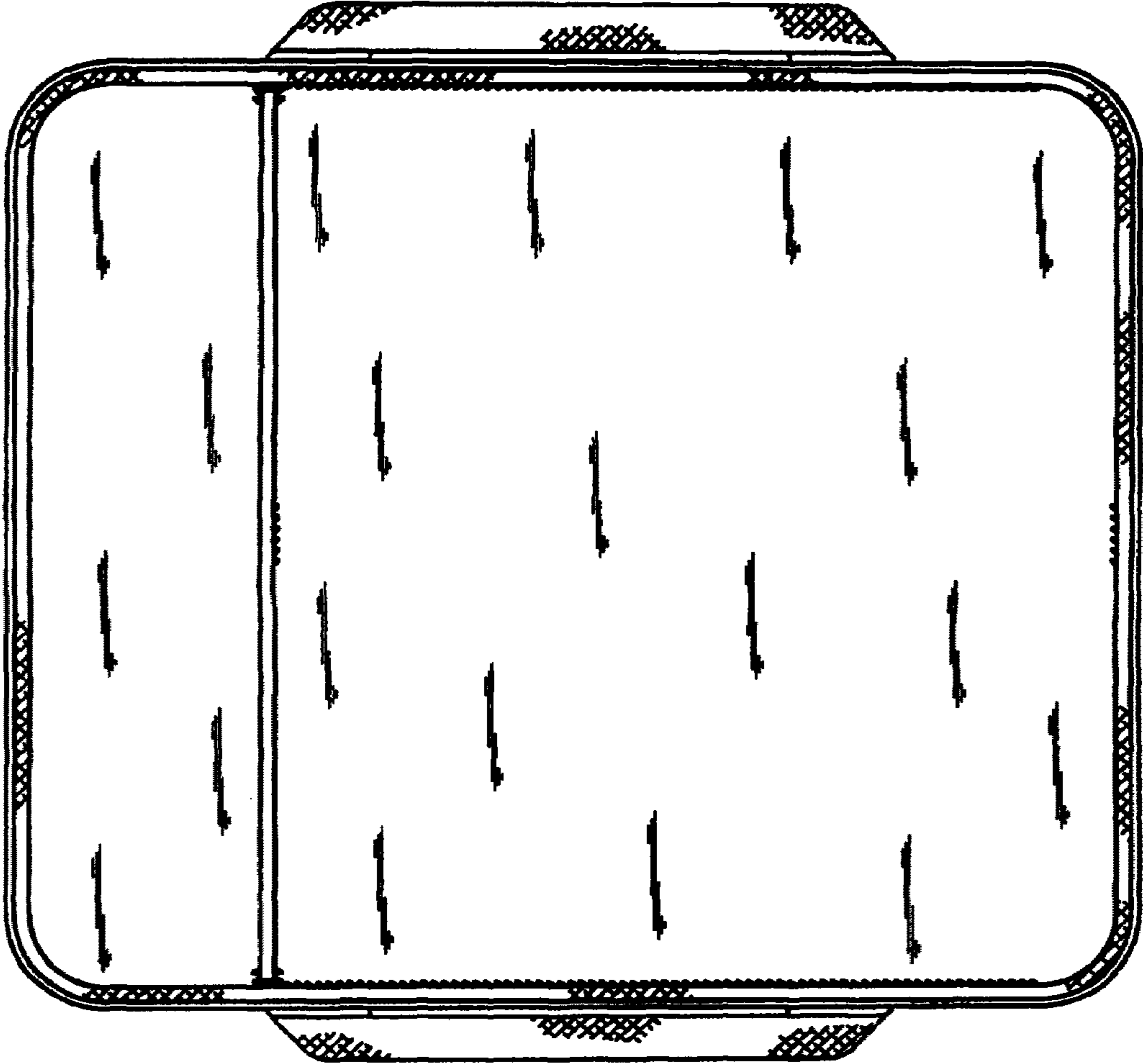


FIG. 7



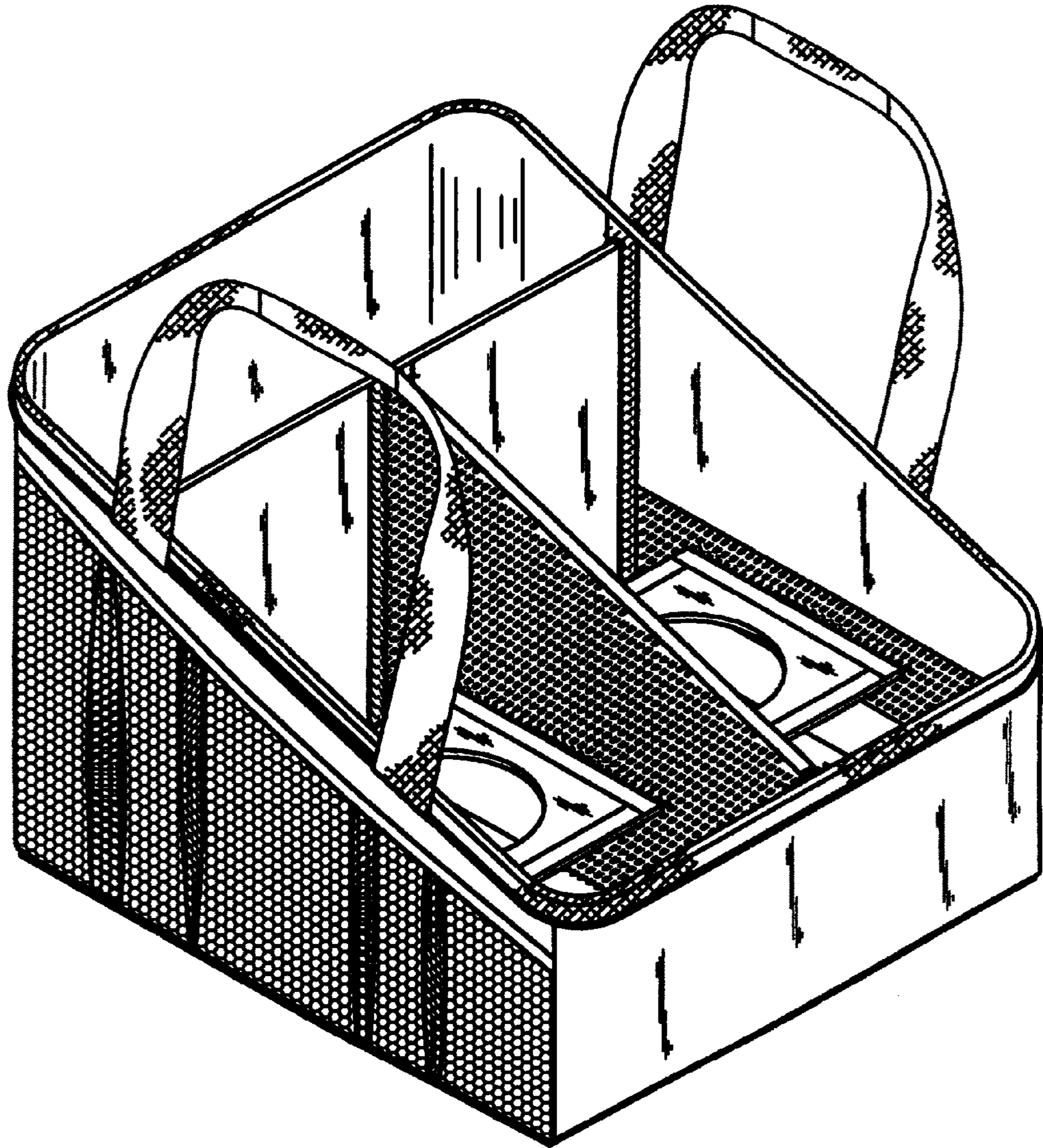


FIG. 8

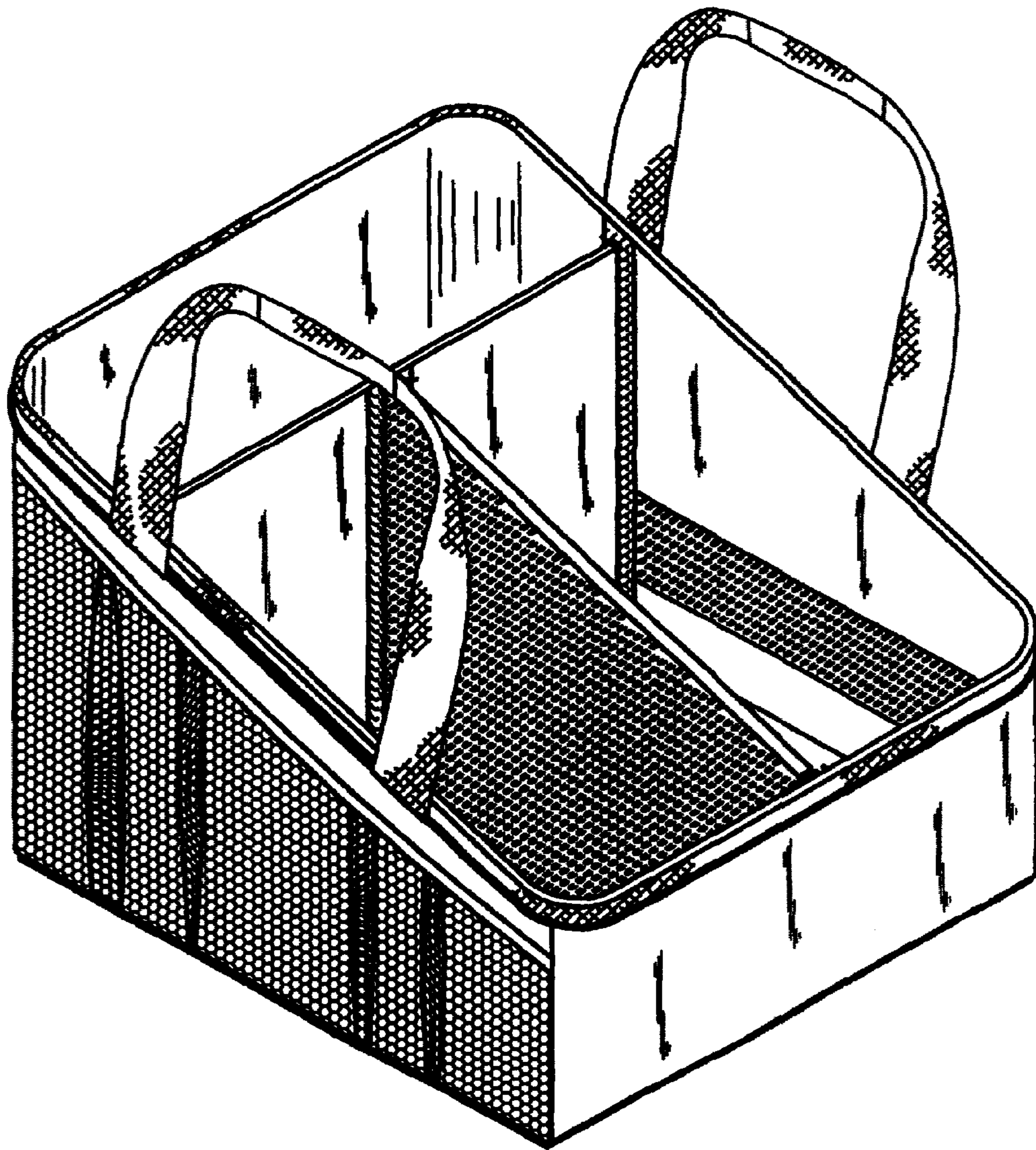


FIG. 9