



US00D550961S

(12) **United States Design Patent**
Eskandry

(10) **Patent No.:** **US D550,961 S**

(45) **Date of Patent:** **** Sep. 18, 2007**

(54) **REVERSIBLE ACCESSORY HOLDER**

(76) Inventor: **Ezra D. Eskandry**, 1925 Brickell Ave.,
D901, Miami, FL (US) 33129

(**) Term: **14 Years**

(21) Appl. No.: **29/219,903**

(22) Filed: **Dec. 27, 2004**

(51) **LOC (8) Cl.** **03-01**

(52) **U.S. Cl.** **D3/303; D3/299; D12/422**

(58) **Field of Classification Search** D3/201,
D3/205-206, 247, 249, 299, 901-903; 190/103,
190/107

See application file for complete search history.

(56) **References Cited**

U.S. PATENT DOCUMENTS

D251,082 S * 2/1979 Petrie D3/247

(Continued)

Primary Examiner—Philip S. Hyder

Assistant Examiner—RoseLynne [Ulm] Cody

(74) *Attorney, Agent, or Firm*—Robert C. Kain, Jr.; Fleit
Kain

(57) **CLAIM**

I claim the ornamental design for a reversible accessory holder, as shown and described.

DESCRIPTION

FIG. 1 is a front elevation view of a reversible accessory holder as a flat pack.

FIG. 2 is a rear elevation view of the reversible accessory holder as a flat pack as shown in FIG. 1.

FIG. 3 is a top plan view of the reversible accessory holder as a flat pack as shown in FIG. 1 (the bottom plan view being a mirror image thereof.)

FIG. 4 is a right side elevation view of the reversible accessory holder as a flat pack as shown in FIG. 1.

FIG. 5 is a left side elevation view of the reversible accessory holder as a flat pack as shown in FIG. 1.

FIG. 6 is a first section elevation view of the reversible accessory holder of FIG. 1 as a stand up triangle with sections one and three joined.

FIG. 7 is a third section elevation view of the reversible accessory holder of FIG. 1 as a stand up triangle with sections one and three joined.

FIG. 8 is a second section elevation view of the reversible accessory holder of FIG. 1 as a stand up triangle with sections one and three joined.

FIG. 9 is an elevation view of the reversible accessory holder of FIG. 1 as a stand up triangle showing sections one and three joined.

FIG. 10 is a top plan view of the reversible accessory holder of FIG. 9 as a stand up triangle showing sections one and three joined (the bottom plan view being a mirror image thereof).

FIG. 11 is a first section elevation view of the reversible accessory holder of FIG. 2 as a stand up triangle with sections one and three joined.

FIG. 12 is a third section elevation view of the reversible accessory holder of FIG. 2 as a stand up triangle with sections one and three joined.

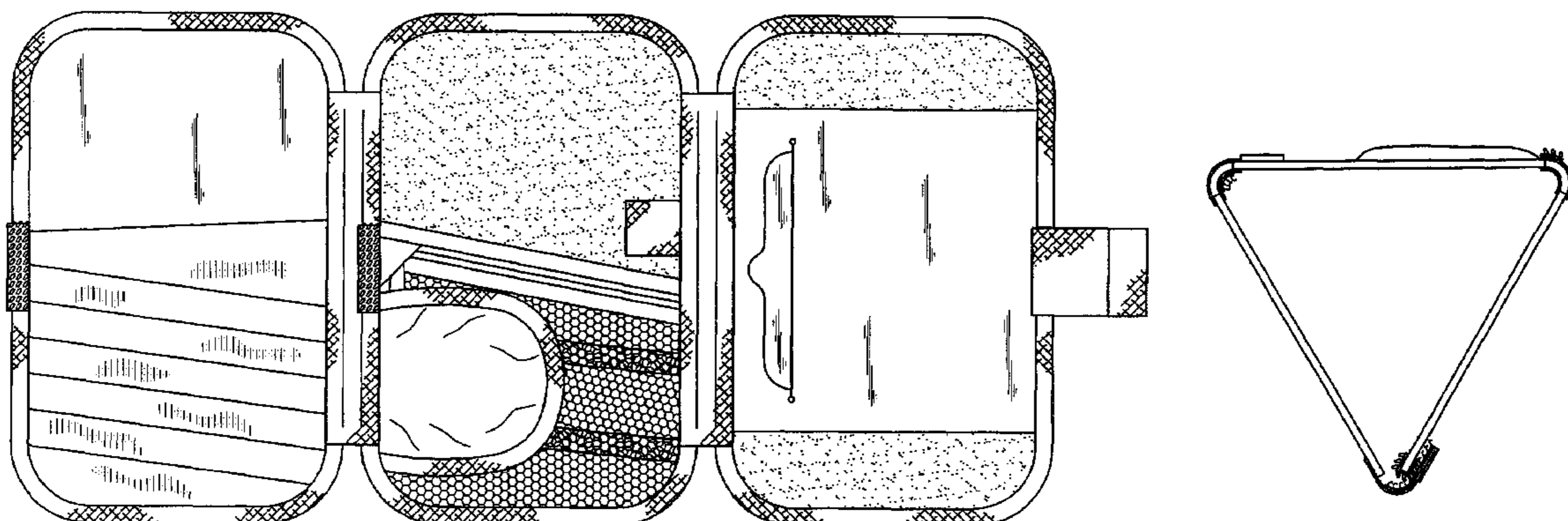
FIG. 13 is a second section elevation view of the reversible accessory holder of FIG. 2 as a stand up triangle with sections one and three joined.

FIG. 14 is an elevation view of the reversible accessory holder of FIG. 2 as a stand up triangle showing sections one and three joined; and,

FIG. 15 is a top plan view of the reversible accessory holder of FIG. 14 as a stand up triangle showing sections one and three joined (the bottom plan view being a mirror image thereof).

The different finishing or textural treatments, such as cross-hatching and stippling are meant to indicate that different textures or finishes are used on different parts of the accessory holder.

1 Claim, 9 Drawing Sheets



US D550,961 S

Page 2

U.S. PATENT DOCUMENTS

D259,749 S *	7/1981	McDonald	D3/247	D434,366 S	11/2000	Eskandry	D12/417
D338,334 S *	8/1993	Kopel et al.	D3/233	D434,368 S	11/2000	Eskandry	D12/417
5,379,929 A	1/1995	Eskandry	224/312	D434,803 S	12/2000	Eskandry	D19/78
D356,886 S *	4/1995	Kopel et al.	D3/233	D434,901 S	12/2000	Eskandry	D3/284
D362,751 S *	10/1995	Kopel	D3/233	D435,511 S	12/2000	Eskandry	D12/417
5,516,018 A	5/1996	Eskandry	224/312	D435,863 S	1/2001	Eskandry	D19/27
D373,101 S	8/1996	Eskandry	D12/177	D436,916 S	1/2001	Eskandry	D12/417
5,555,614 A *	9/1996	Book	29/401.1	D438,412 S *	3/2001	Dolan	D6/513
5,653,364 A	8/1997	Eskandry	224/312	D453,728 S *	2/2002	Hassett	D12/417
D385,694 S *	11/1997	Magnussen	D3/205	D466,297 S *	12/2002	Raisner et al.	D3/299
D388,611 S *	1/1998	Shaw	D3/303	D472,512 S *	4/2003	Palmer	D12/417
D430,205 S	8/2000	Eskandry	D19/33	D487,050 S *	2/2004	Hassett	D12/417
D430,397 S	9/2000	Eskandry	D3/290	D491,879 S *	6/2004	Alves et al.	D12/417
D432,981 S	10/2000	Eskandry	D12/417	D492,483 S *	7/2004	Gildea	D3/249
D433,064 S	10/2000	Eskandry	D19/78	D512,367 S *	12/2005	Eskandry	D12/417
D433,444 S	11/2000	Eskandry	D19/27	2002/0029946 A1 *	3/2002	Knecht	190/107

* cited by examiner

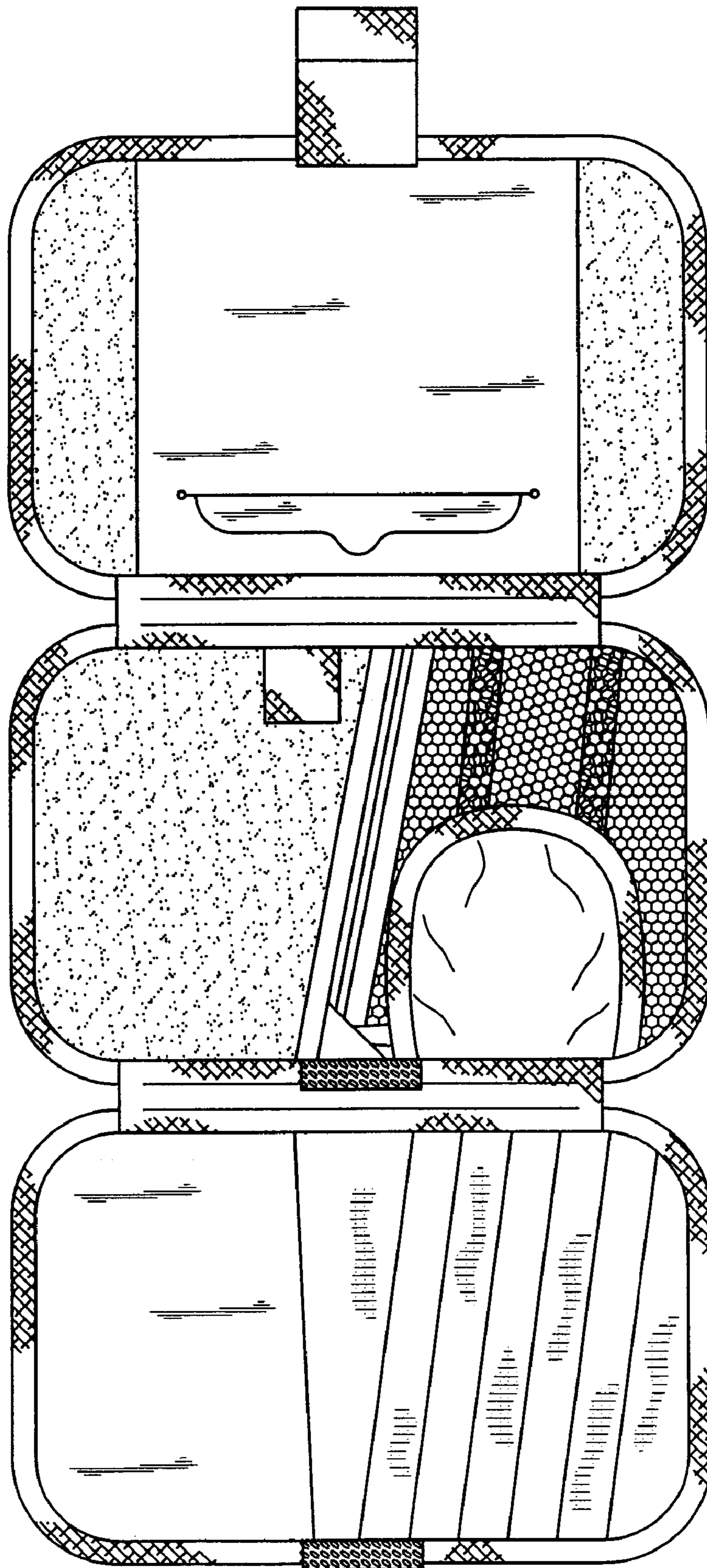


FIG. 1

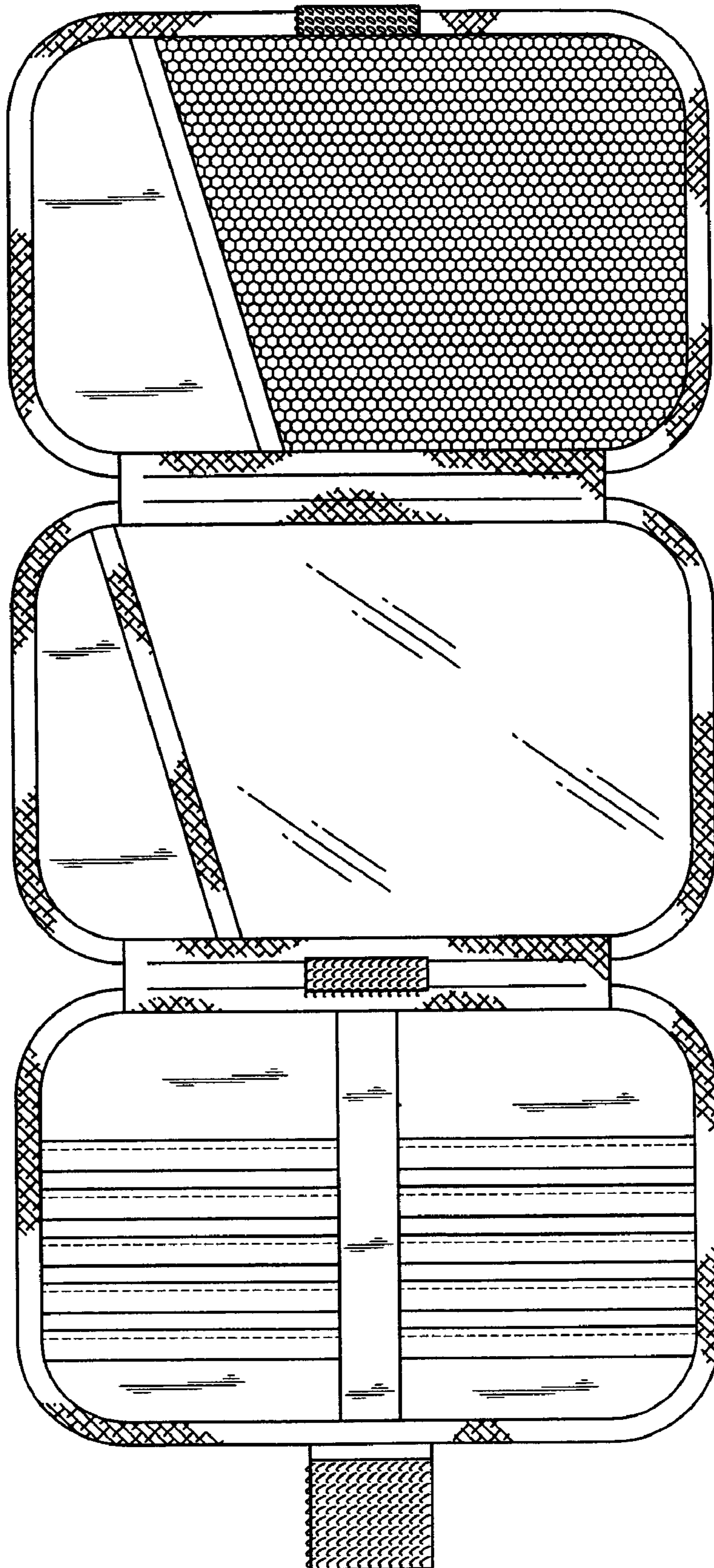


FIG. 2



FIG. 3



FIG. 5

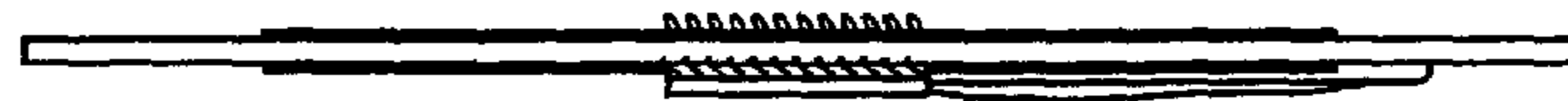


FIG. 4

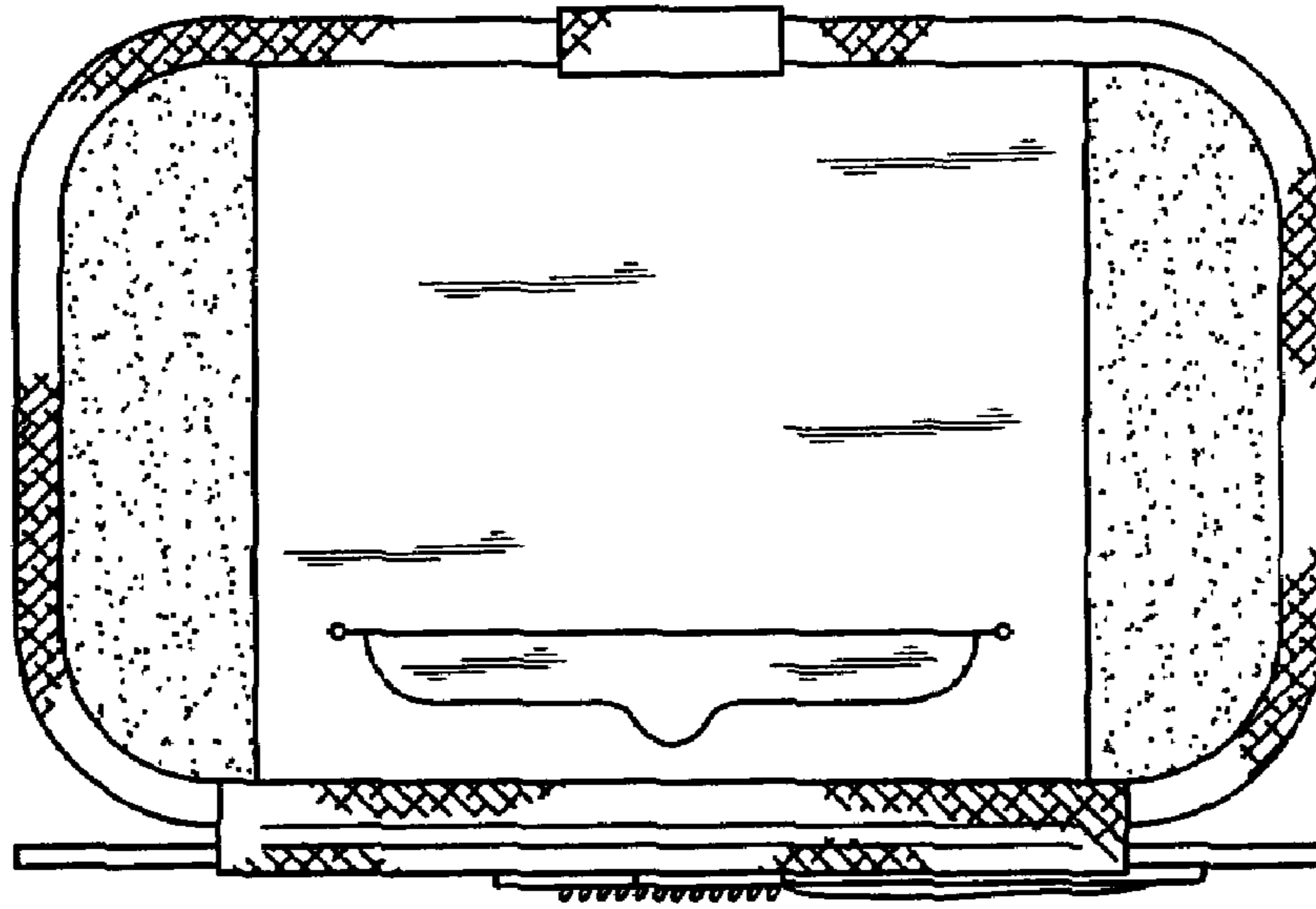


FIG. 7

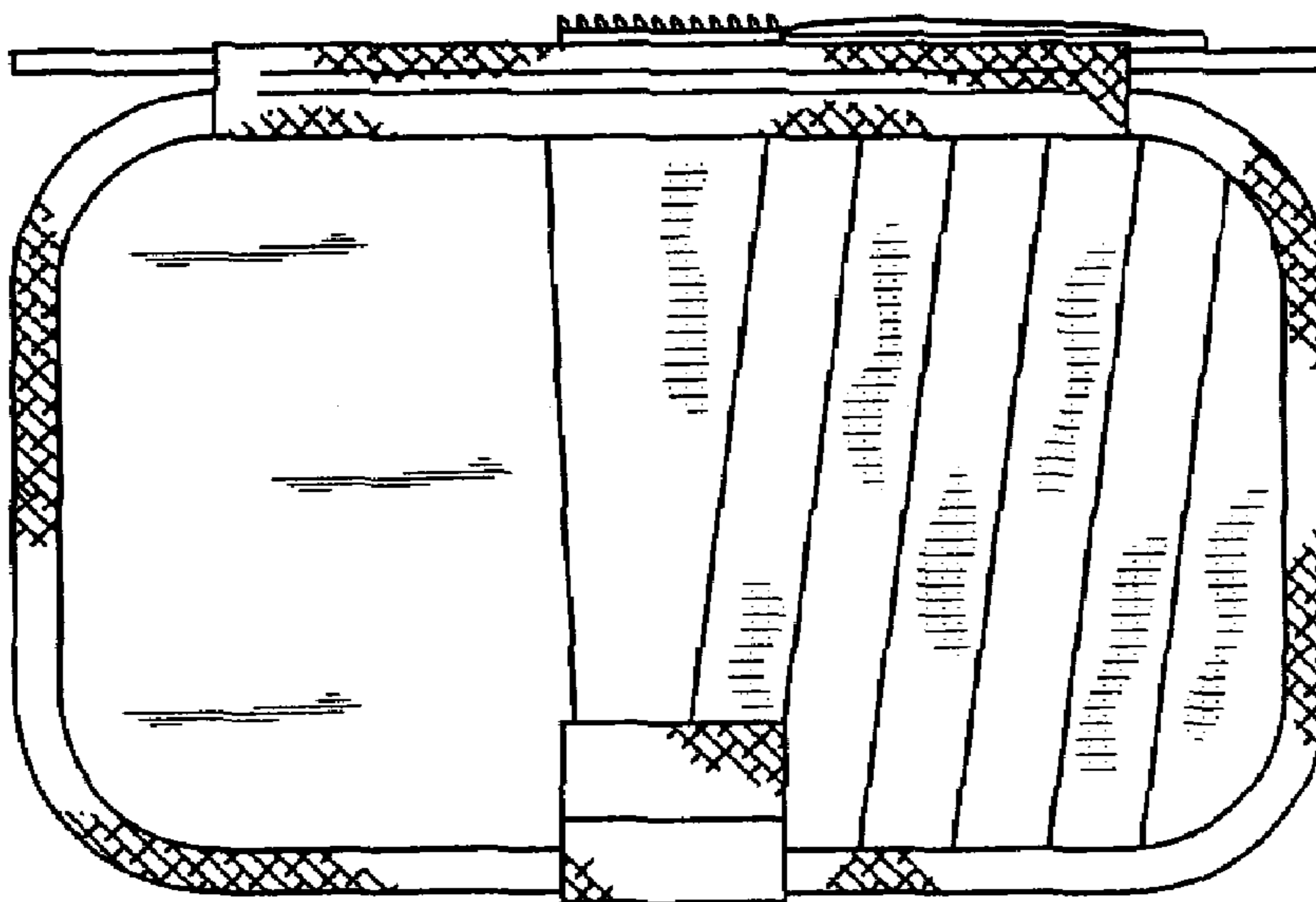


FIG. 6

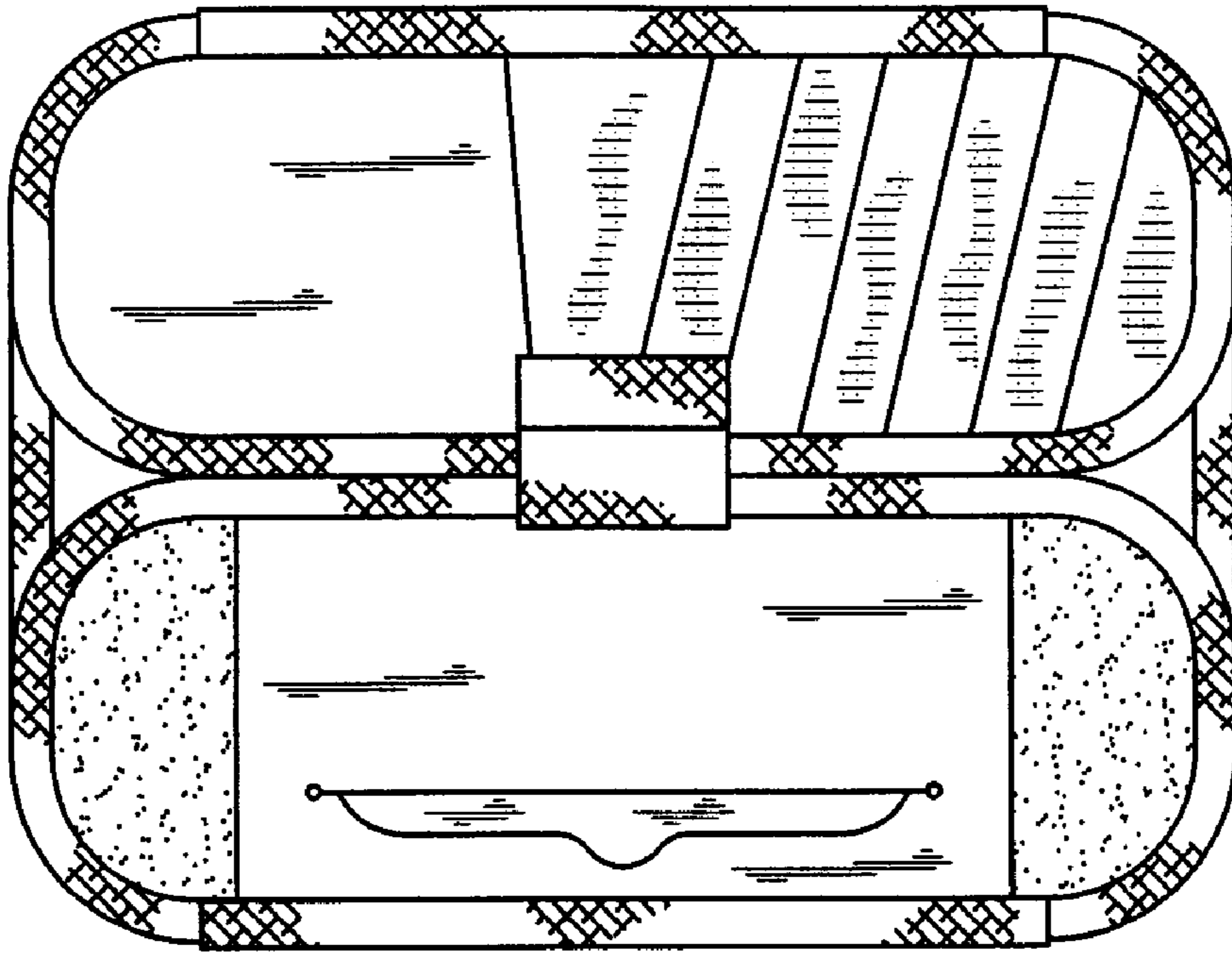


FIG. 9

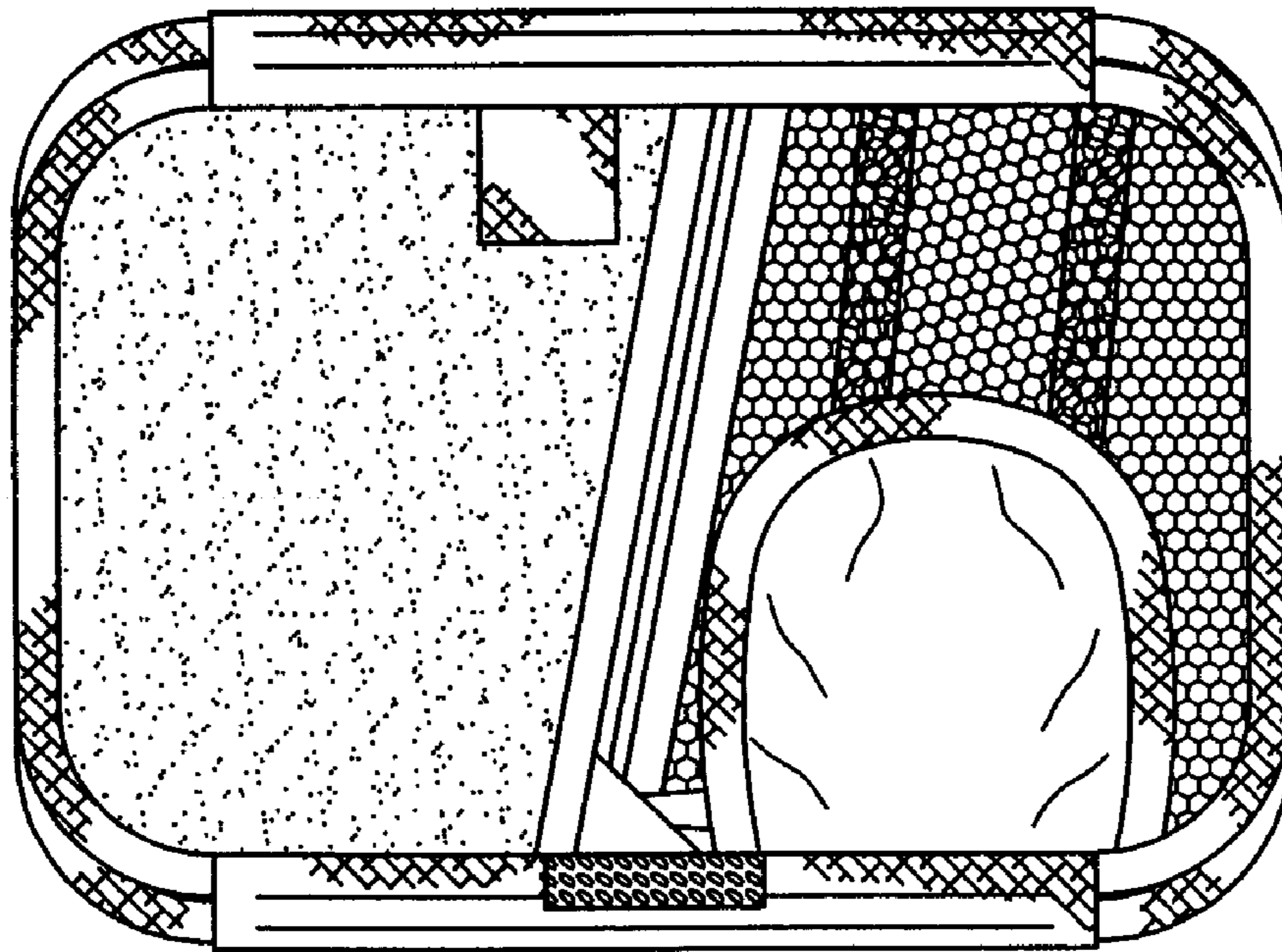


FIG. 8

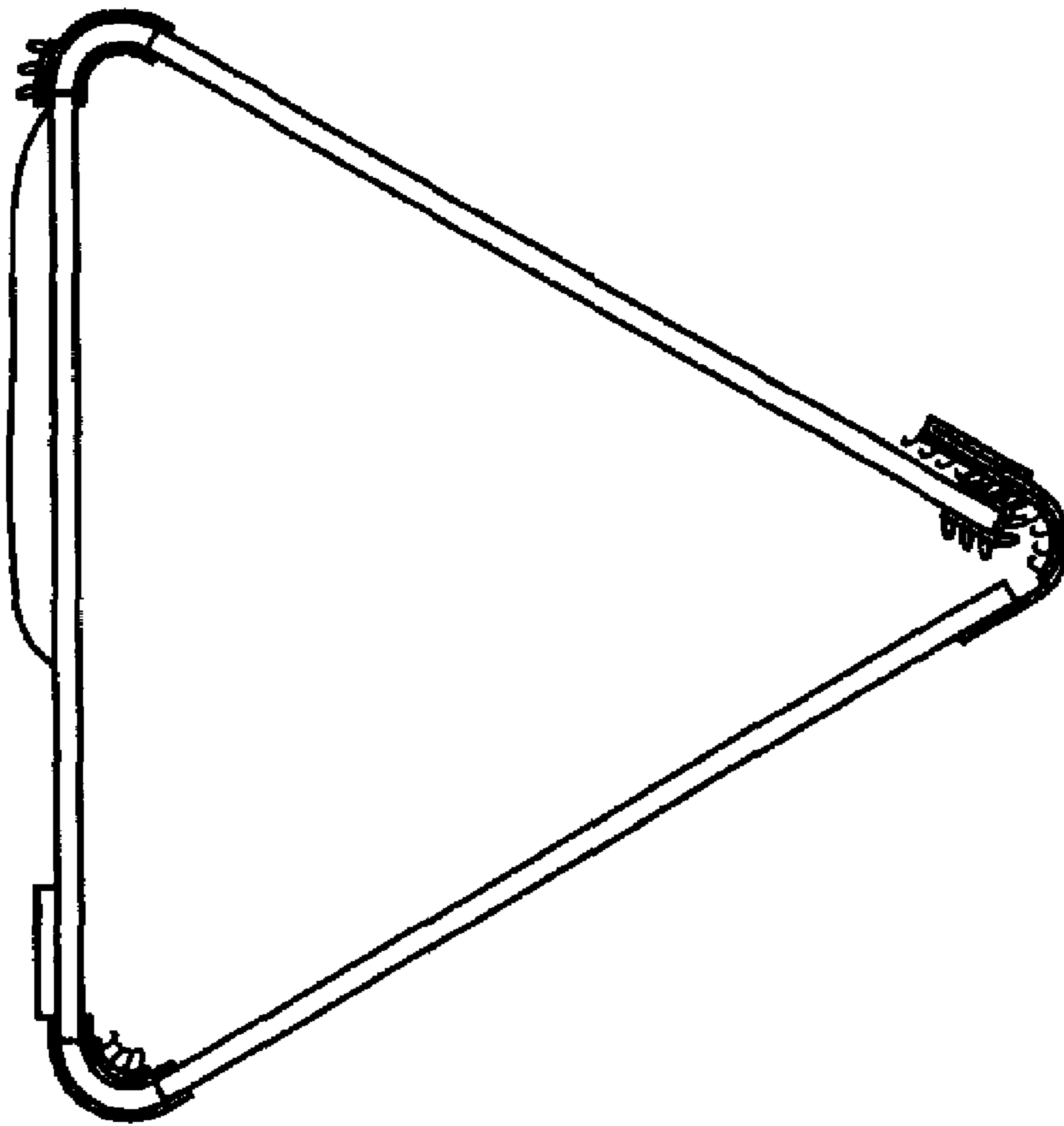


FIG. 10

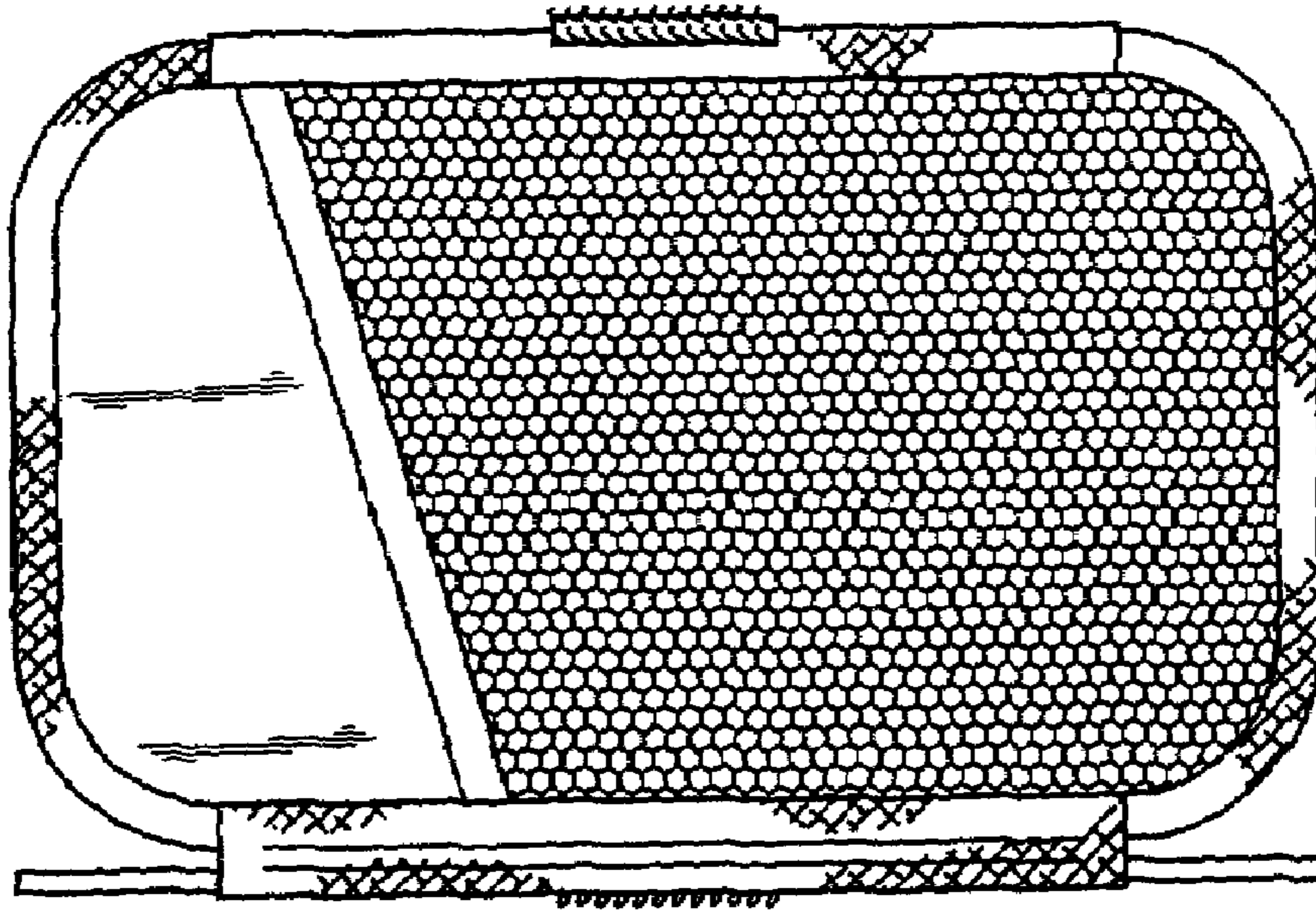


FIG. 12

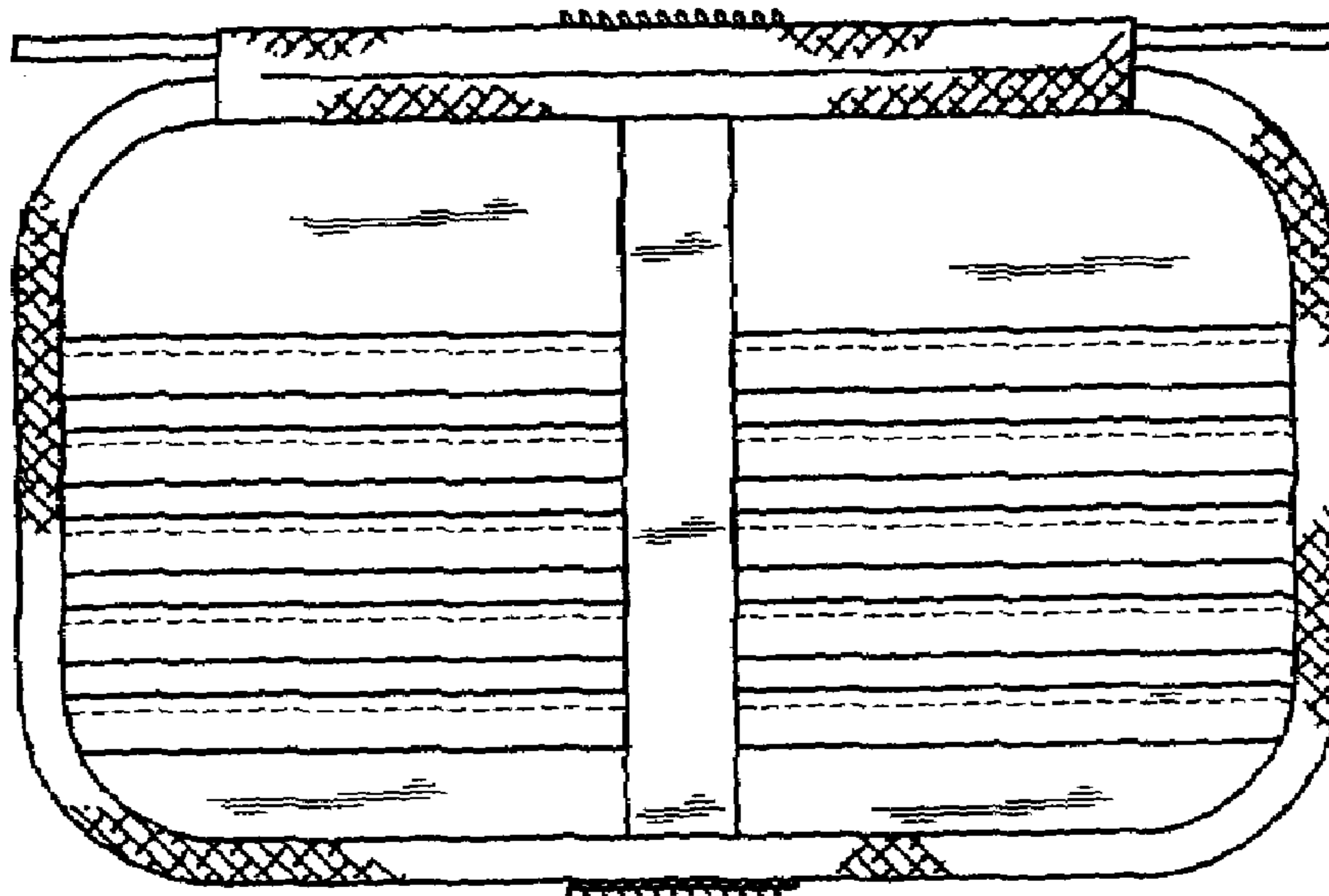


FIG. 11

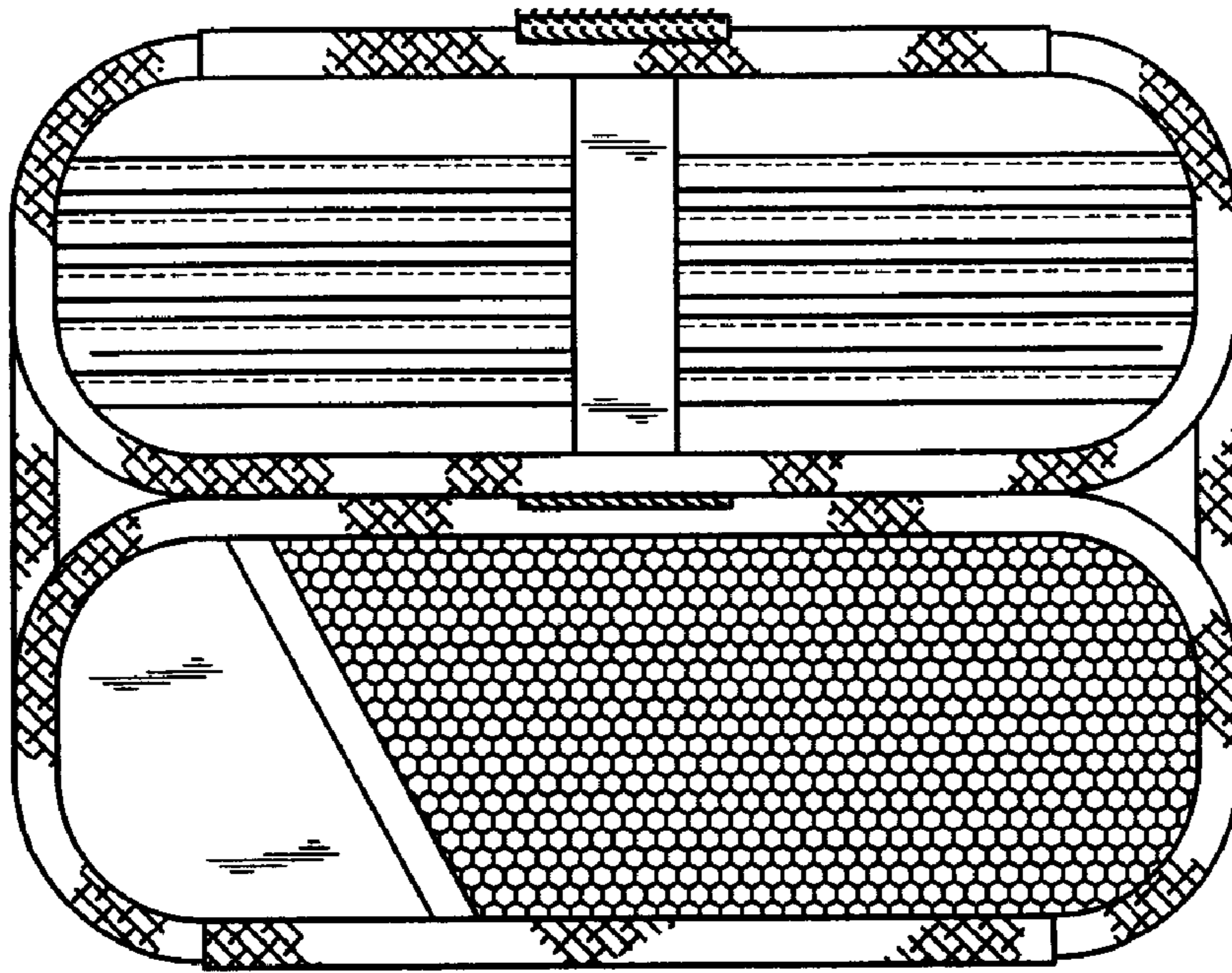


FIG. 14

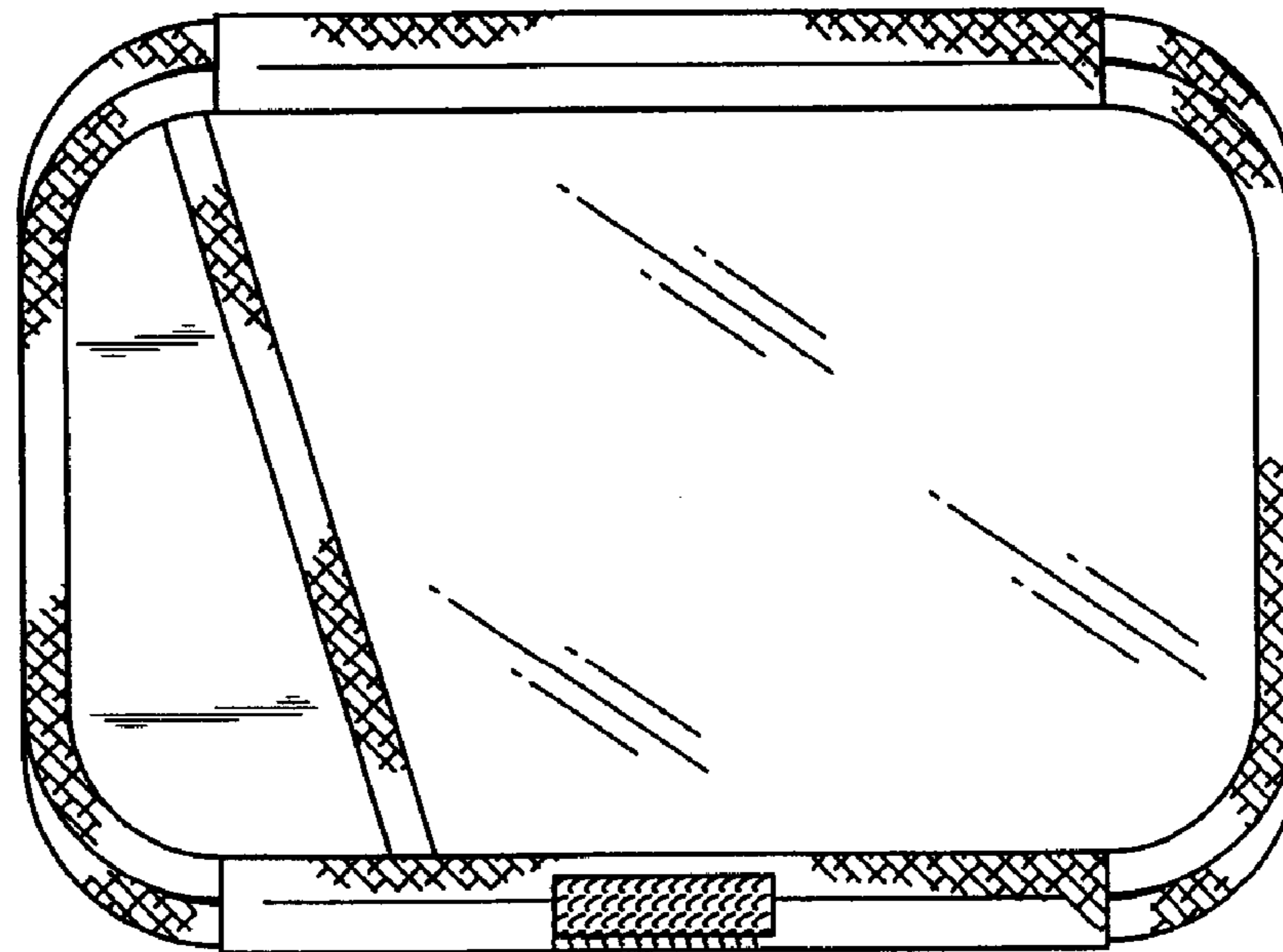


FIG. 13

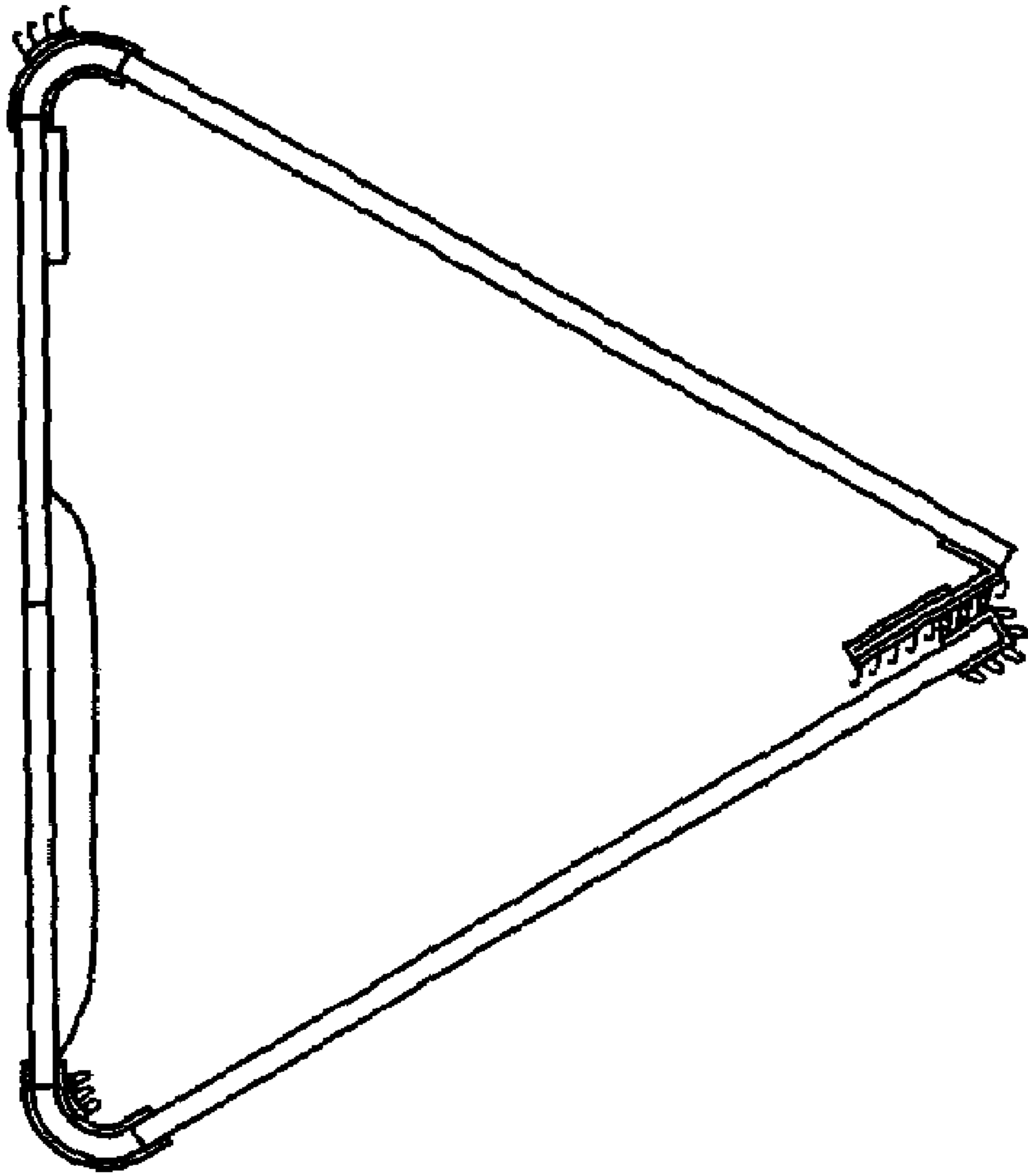


FIG. 15