



US00D550956S

(12) **United States Design Patent**  
**Kendrick**

(10) **Patent No.:** **US D550,956 S**

(45) **Date of Patent:** **\*\* Sep. 18, 2007**

(54) **GOLF BELT POUCH**

(76) Inventor: **Bernard Kendrick**, 217 Violet Dr.,  
Romeoville, IL (US) 60446

(\*\*) Term: **14 Years**

(21) Appl. No.: **29/267,224**

(22) Filed: **Oct. 10, 2006**

(51) **LOC (8) Cl.** ..... **03-01**

(52) **U.S. Cl.** ..... **D3/221**

(58) **Field of Classification Search** ..... D3/221,  
D3/224, 226, 257; 224/918-919, 223, 684,  
224/247; 206/315.3

See application file for complete search history.

(56) **References Cited**

**U.S. PATENT DOCUMENTS**

- 5,934,530 A \* 8/1999 Antczak et al. .... 224/247
- D417,952 S \* 12/1999 Dickson ..... D3/221
- D517,802 S \* 3/2006 Crippen ..... D3/221

2004/0016787 A1\* 1/2004 Ioime ..... 224/919

\* cited by examiner

*Primary Examiner*—Catherine R. Oliver

(74) *Attorney, Agent, or Firm*—Justin Lampel

(57) **CLAIM**

The ornamental design for a golf belt pouch, as shown and described.

**DESCRIPTION**

FIG. 1 is a front perspective view of a golf belt pouch of the present invention;

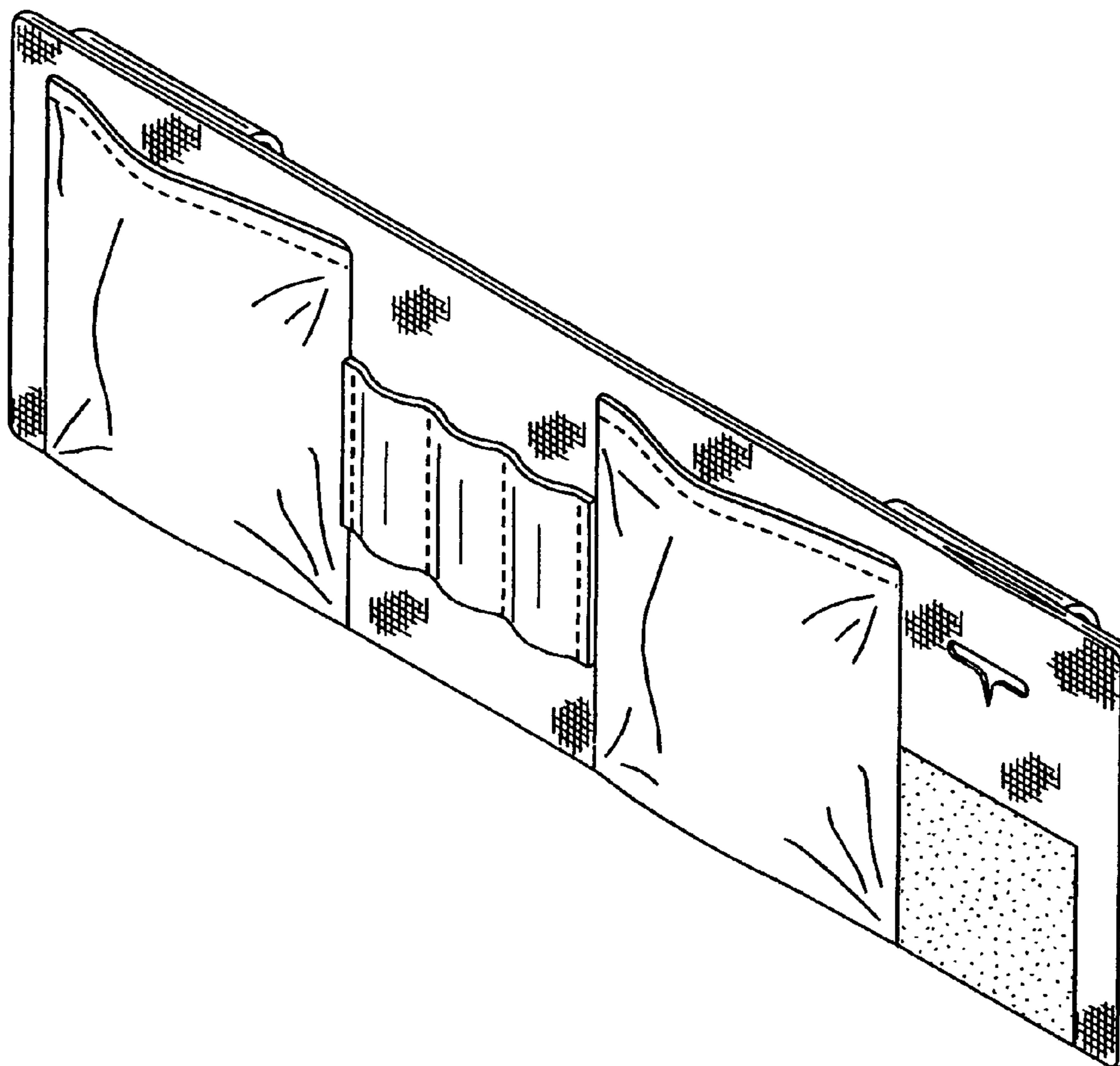
FIG. 2 is a rear perspective view of the present invention;

FIG. 3 is a front perspective view of the present invention; and,

FIG. 4 is a rear perspective view of the present invention wherein a clip is added.

The broken line showing is for illustrative purposes only and forms no part of the claimed design.

**1 Claim, 2 Drawing Sheets**



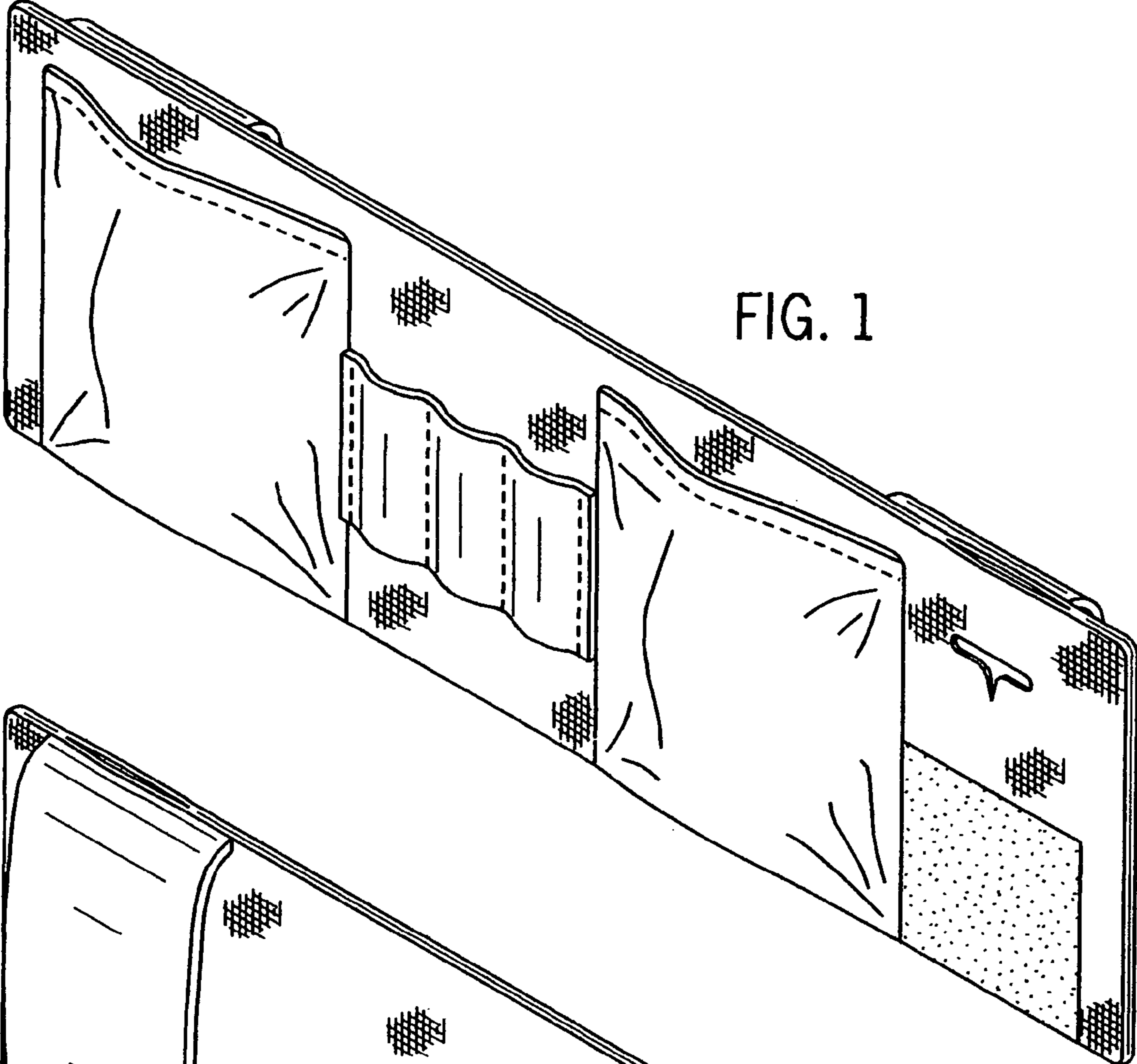


FIG. 1

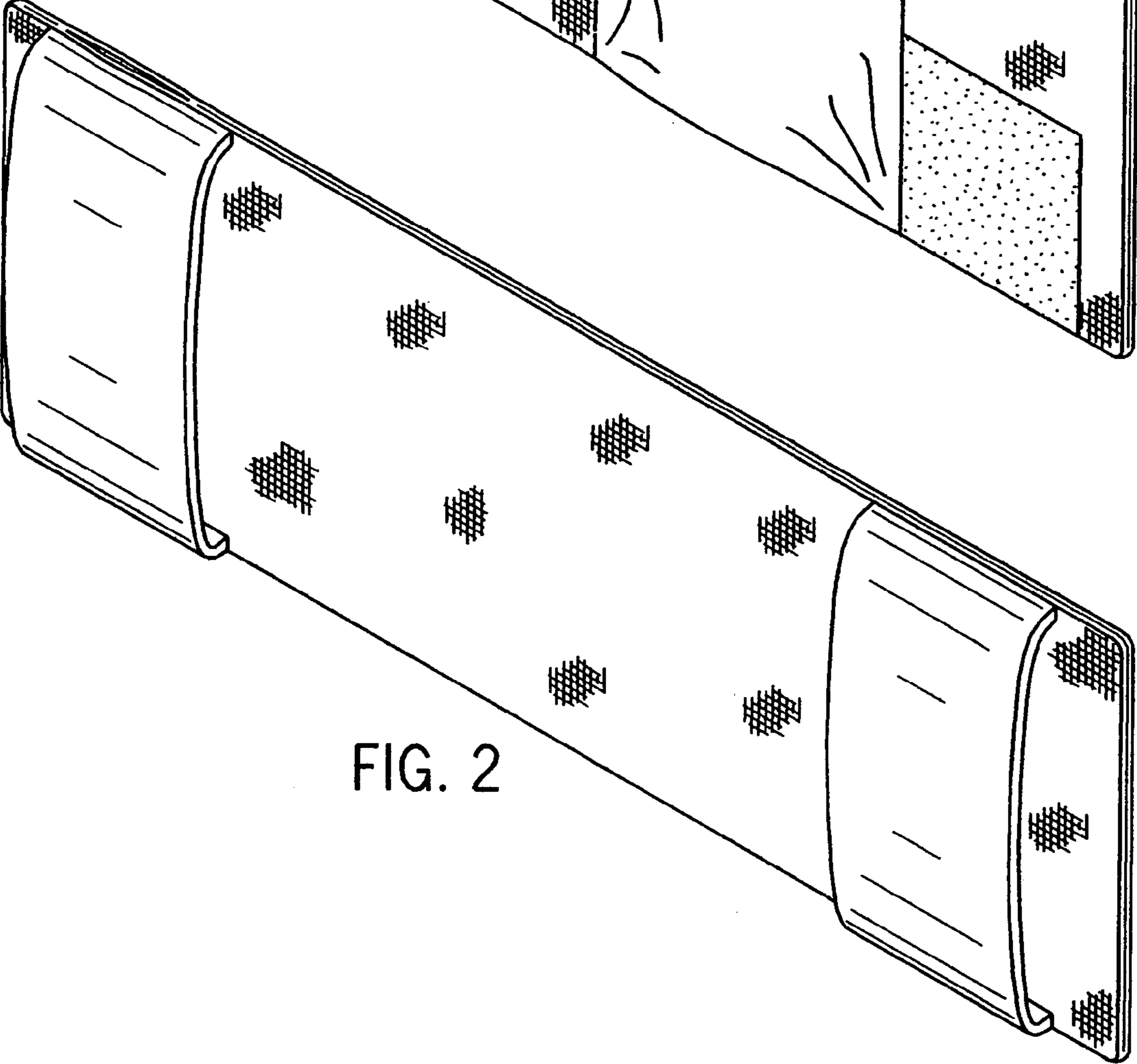


FIG. 2

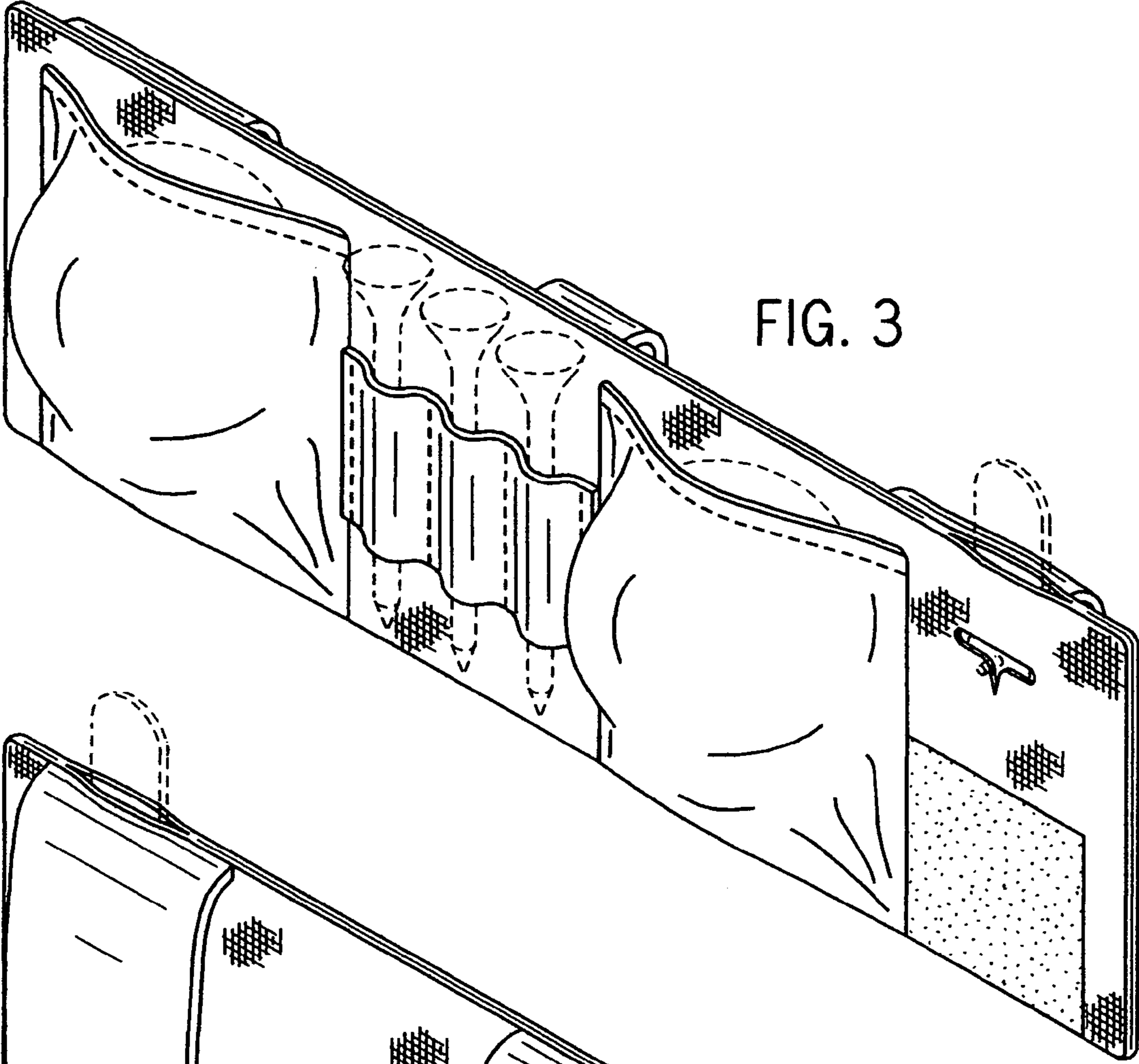


FIG. 3

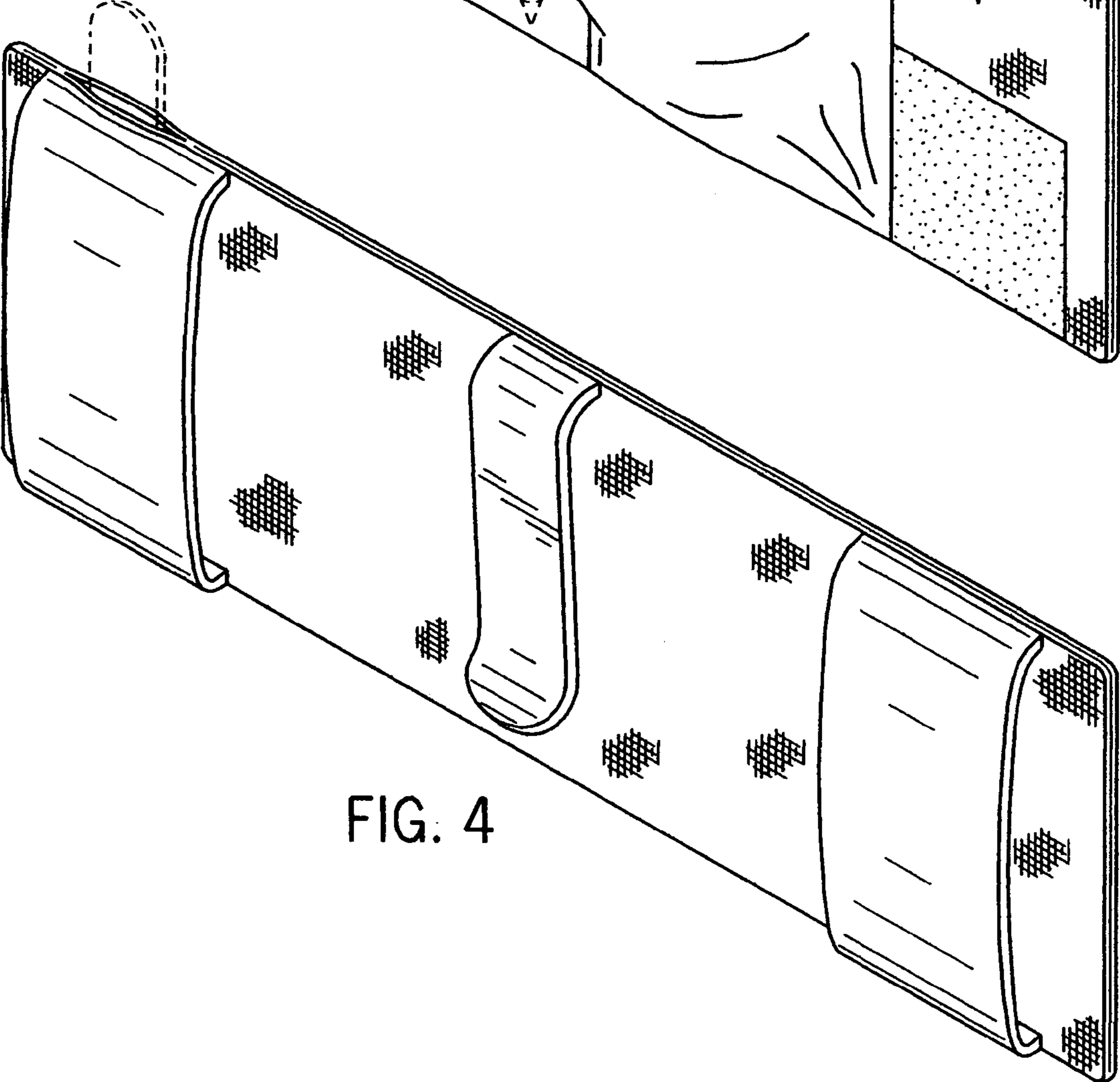


FIG. 4