



US00D550954S

(12) **United States Design Patent**
Boyd et al.

(10) **Patent No.:** **US D550,954 S**

(45) **Date of Patent:** **** Sep. 18, 2007**

(54) **HOLSTER FOR ELECTRONIC DEVICES**

Primary Examiner—Catherine R. Oliver

(74) *Attorney, Agent, or Firm*—Patton Boggs LLP

(75) Inventors: **Michael Boyd**, Boulder, CO (US); **Rick Case**, Boulder, CO (US); **Dennis Balchunas**, Boulder, CO (US)

(57) **CLAIM**

(73) Assignee: **Nite Ize, Inc.**, Boulder, CO (US)

The ornamental design for a holster for electronic devices, as shown and described.

(**) Term: **14 Years**

(21) Appl. No.: **29/269,418**

(22) Filed: **Nov. 30, 2006**

DESCRIPTION

(51) **LOC (8) Cl.** **03-01**

FIG. 1 is a perspective view showing the front and a first side of a preferred embodiment of a holster according to the invention;

(52) **U.S. Cl.** **D3/218**

FIG. 2 is a perspective view showing the rear and first side of the holster of FIG. 1;

(58) **Field of Classification Search** D3/218,

FIG. 3 is a front view of the holster of FIG. 1;

D3/219, 215, 228, 226, 230, 303, 232–246;

FIG. 4 is a rear view of the holster of FIG. 1;

224/240, 914, 904, 675–677, 242, 647, 667–668;

FIG. 5 is a side view showing a second side of the holster of FIG. 1;

383/10, 29, 42, 93, 95, 97–98, 104, 109

See application file for complete search history.

FIG. 6 is a side view showing the first side of the holster of FIG. 1;

(56) **References Cited**

U.S. PATENT DOCUMENTS

D364,038 S * 11/1995 Stanchin D3/230

D500,409 S * 1/2005 Rivera et al. D3/228

D508,607 S * 8/2005 Balchunas et al. D3/303

D532,199 S * 11/2006 Balchunas et al. D3/303

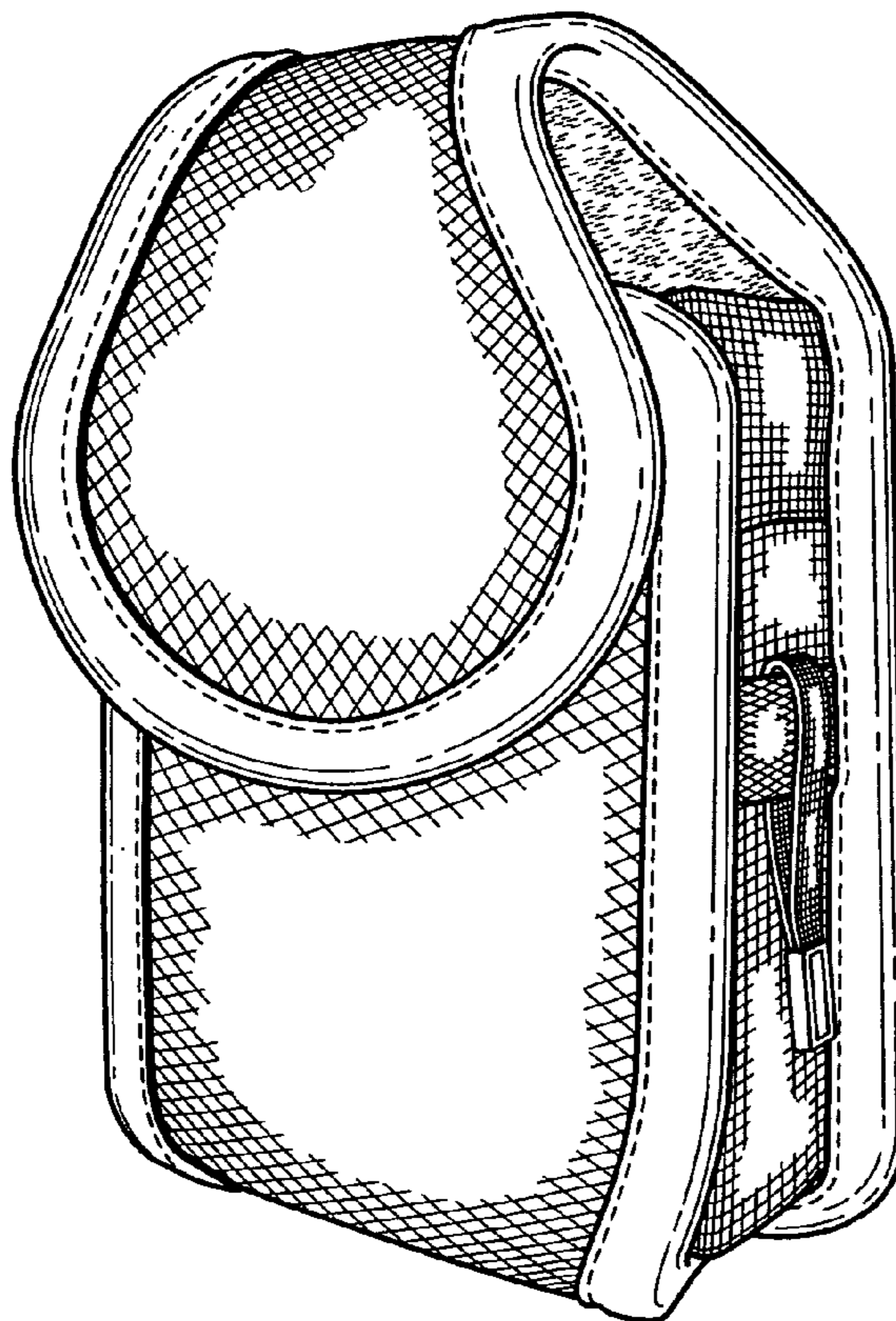
D539,031 S * 3/2007 Balchunas et al. D3/226

FIG. 7 is a top view of the holster of FIG. 1; and,

FIG. 8 is a bottom view of the holster of FIG. 1.

* cited by examiner

1 Claim, 5 Drawing Sheets



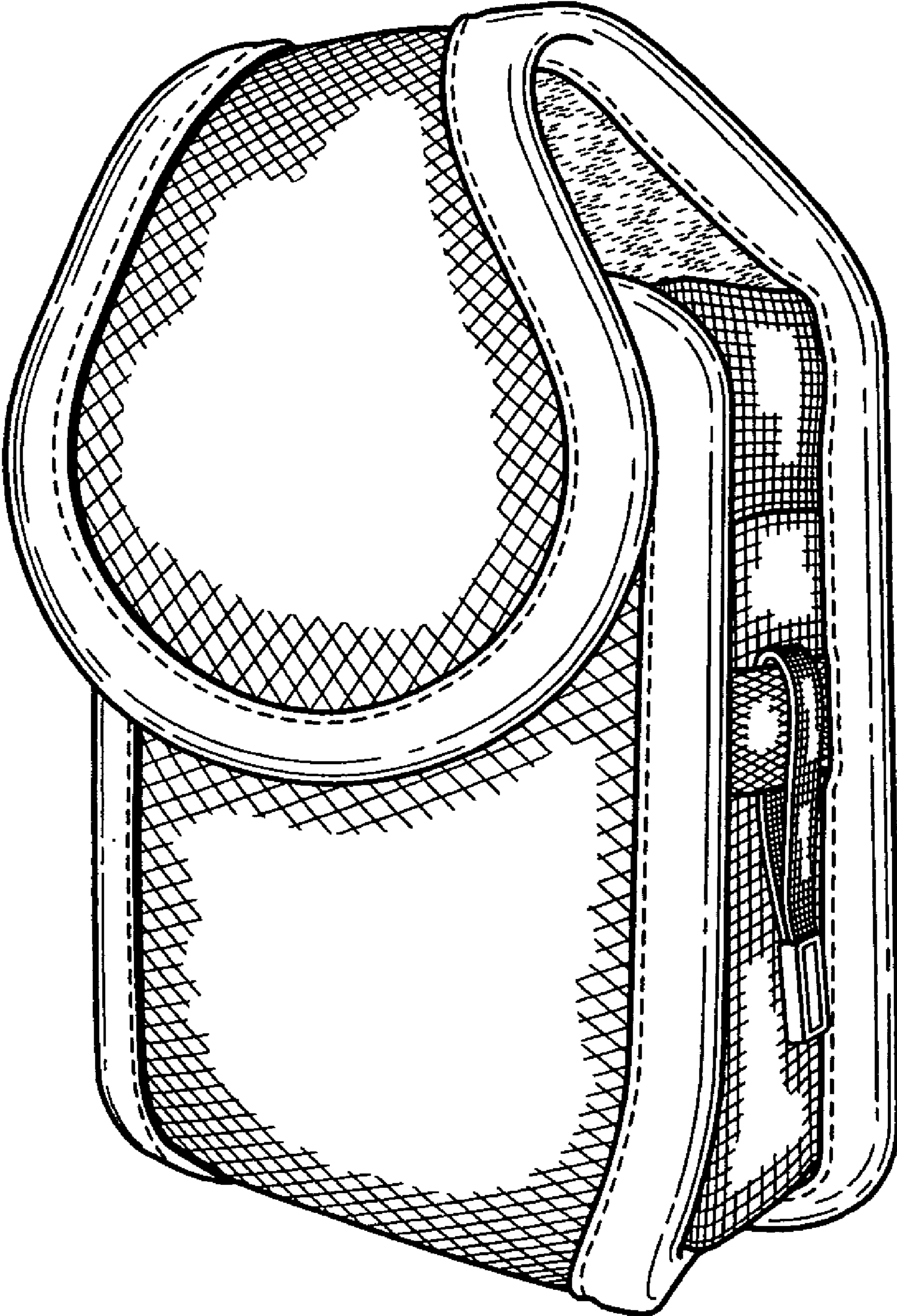


FIG. 1

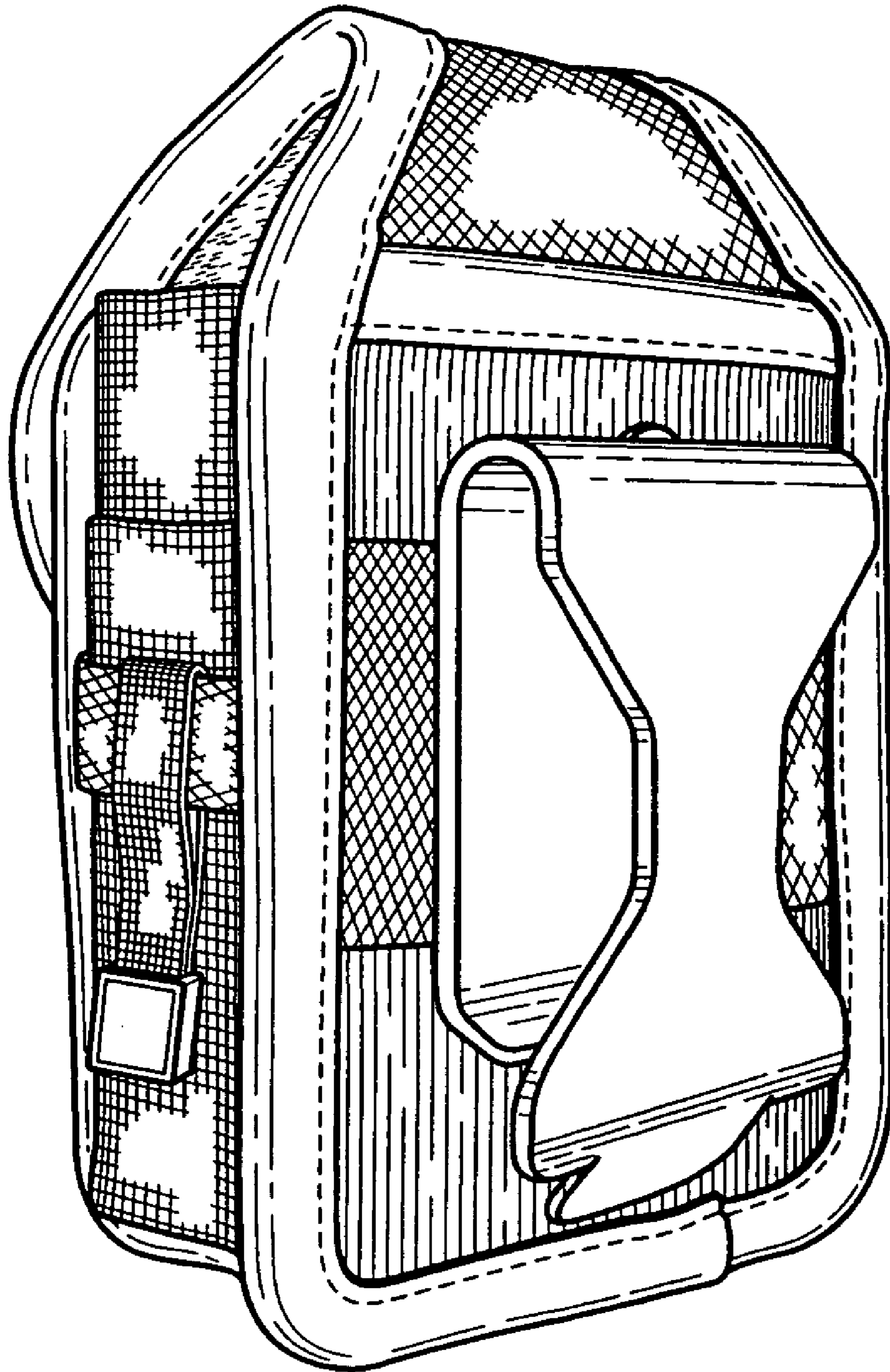


FIG. 2

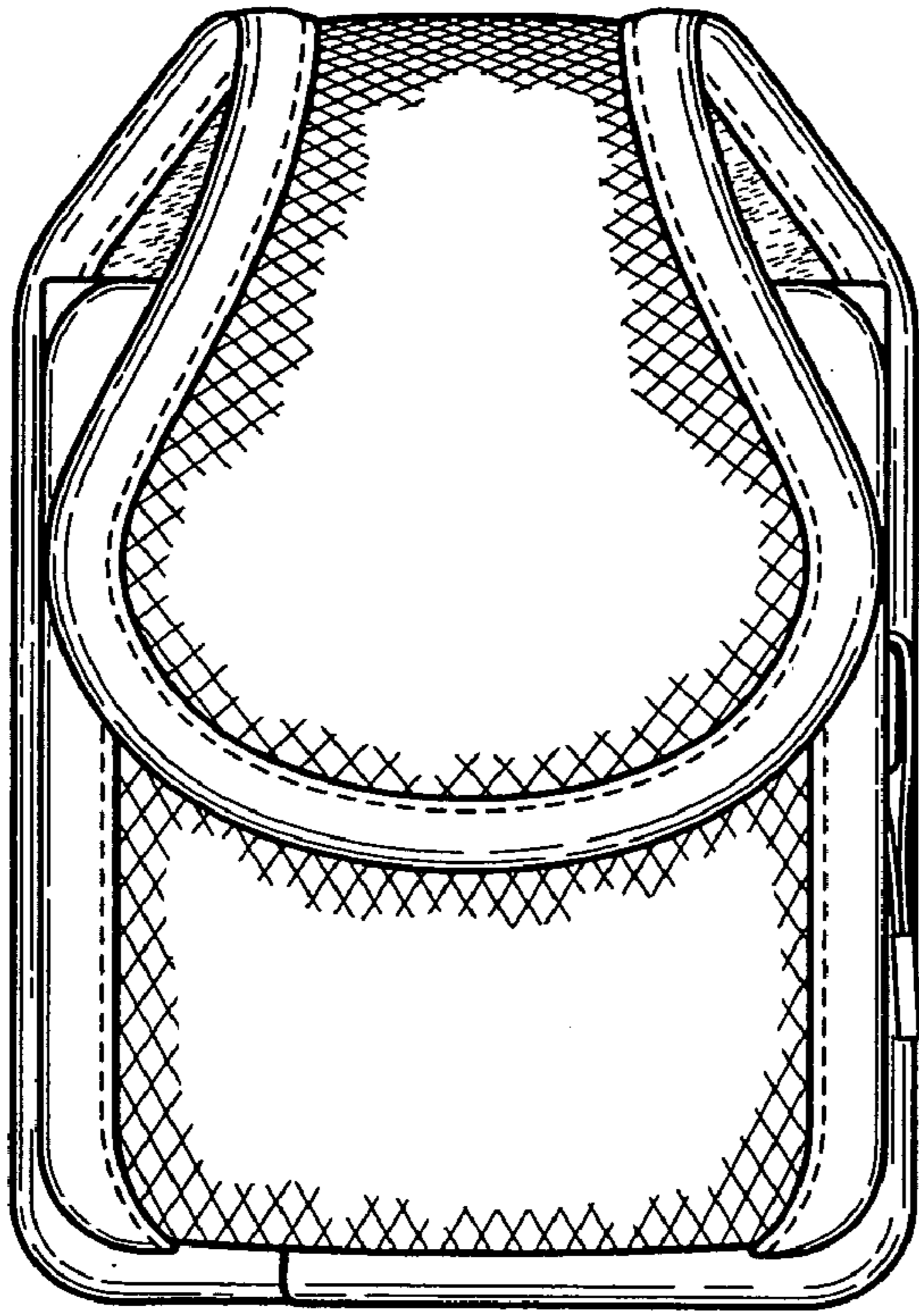
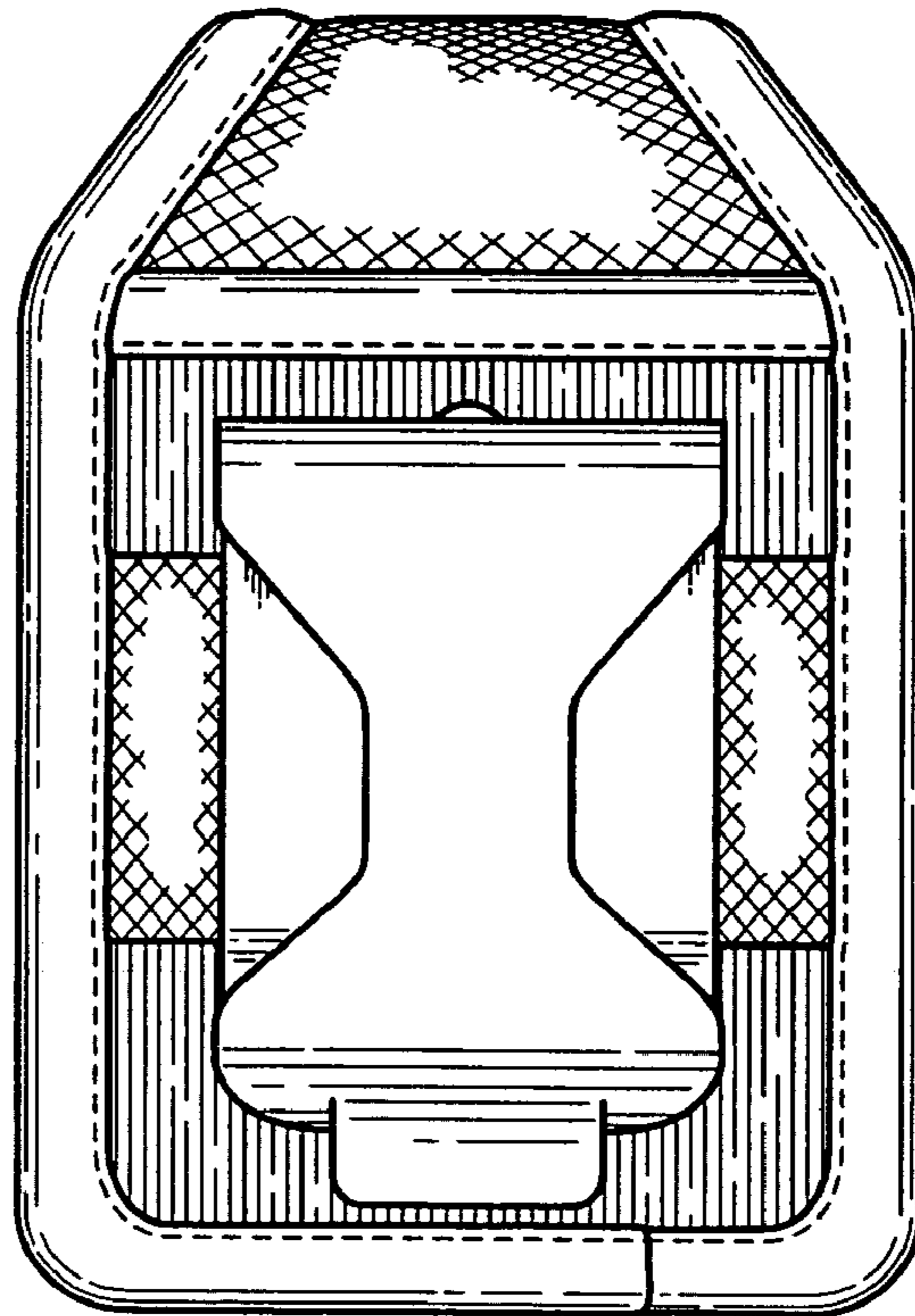


FIG. 3

FIG. 4



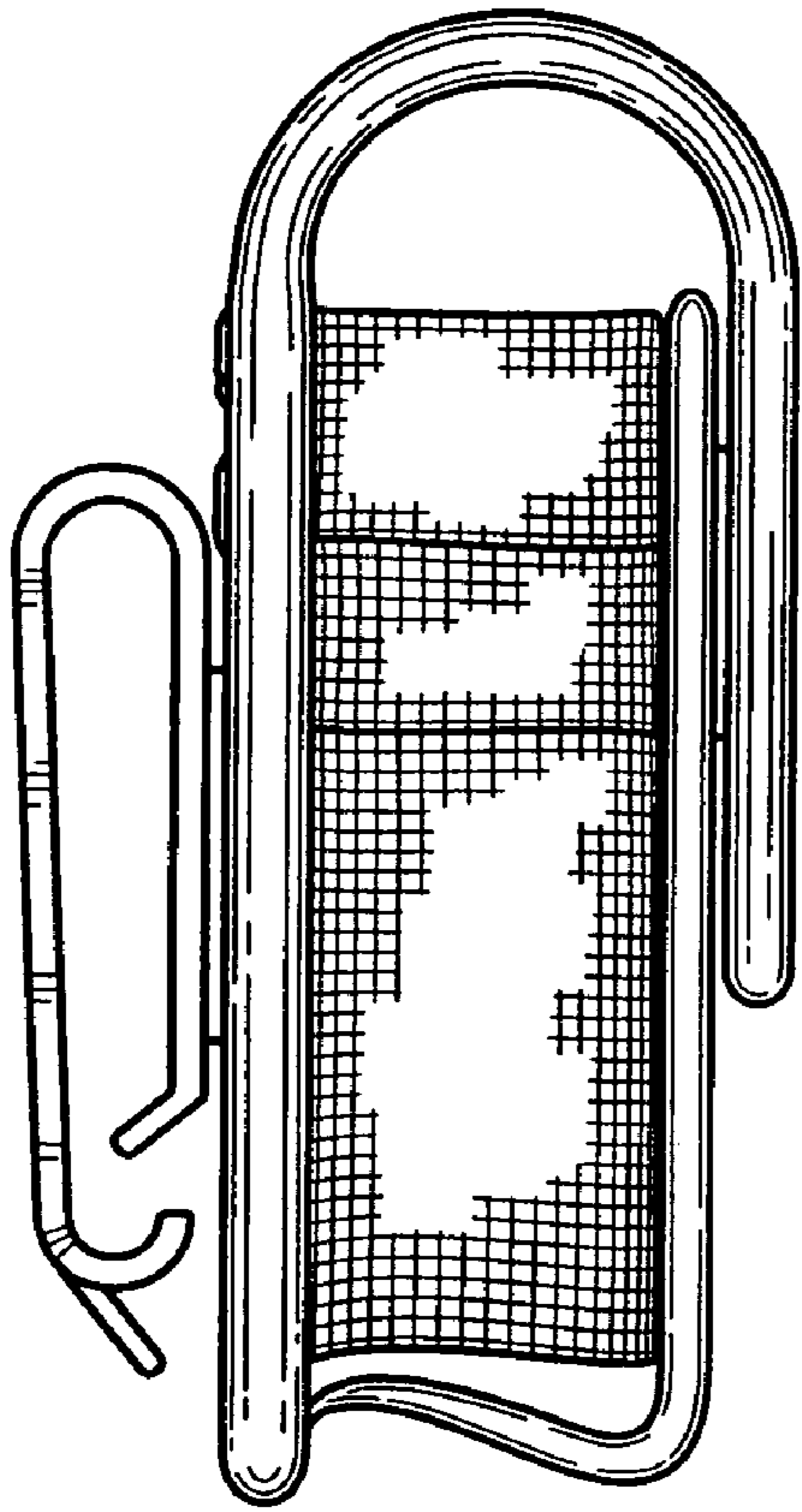


FIG. 5

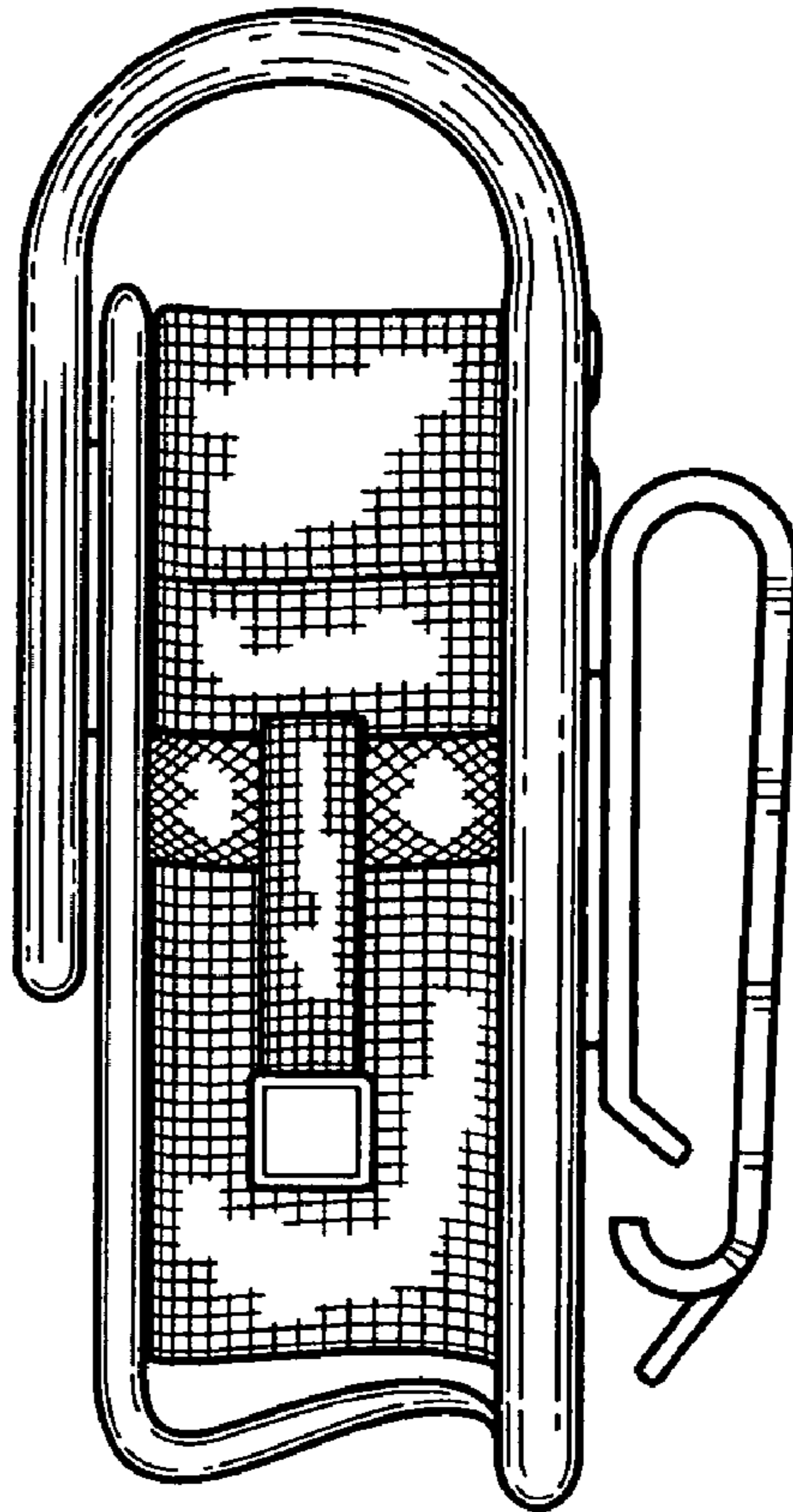


FIG. 6

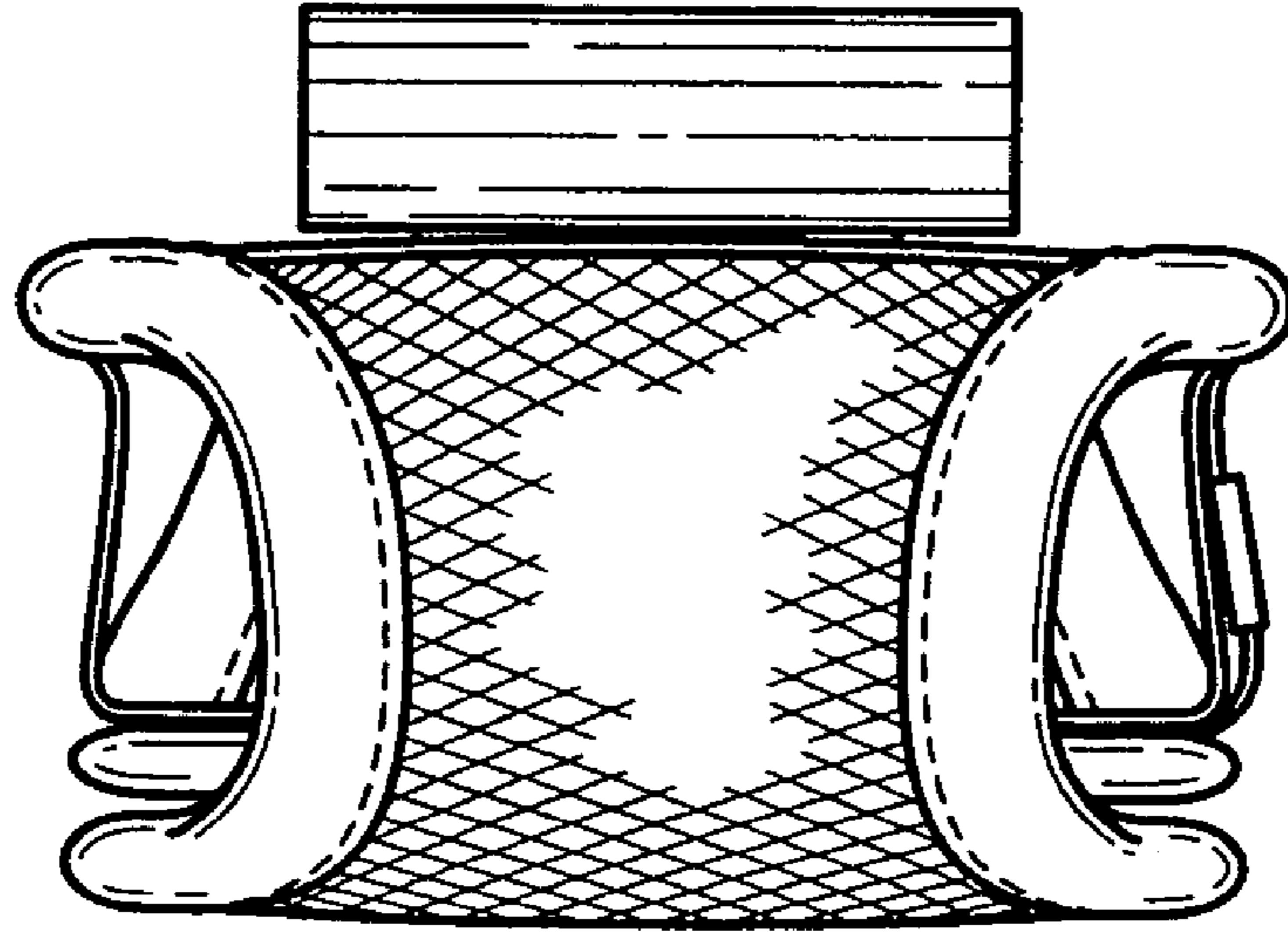


FIG. 7

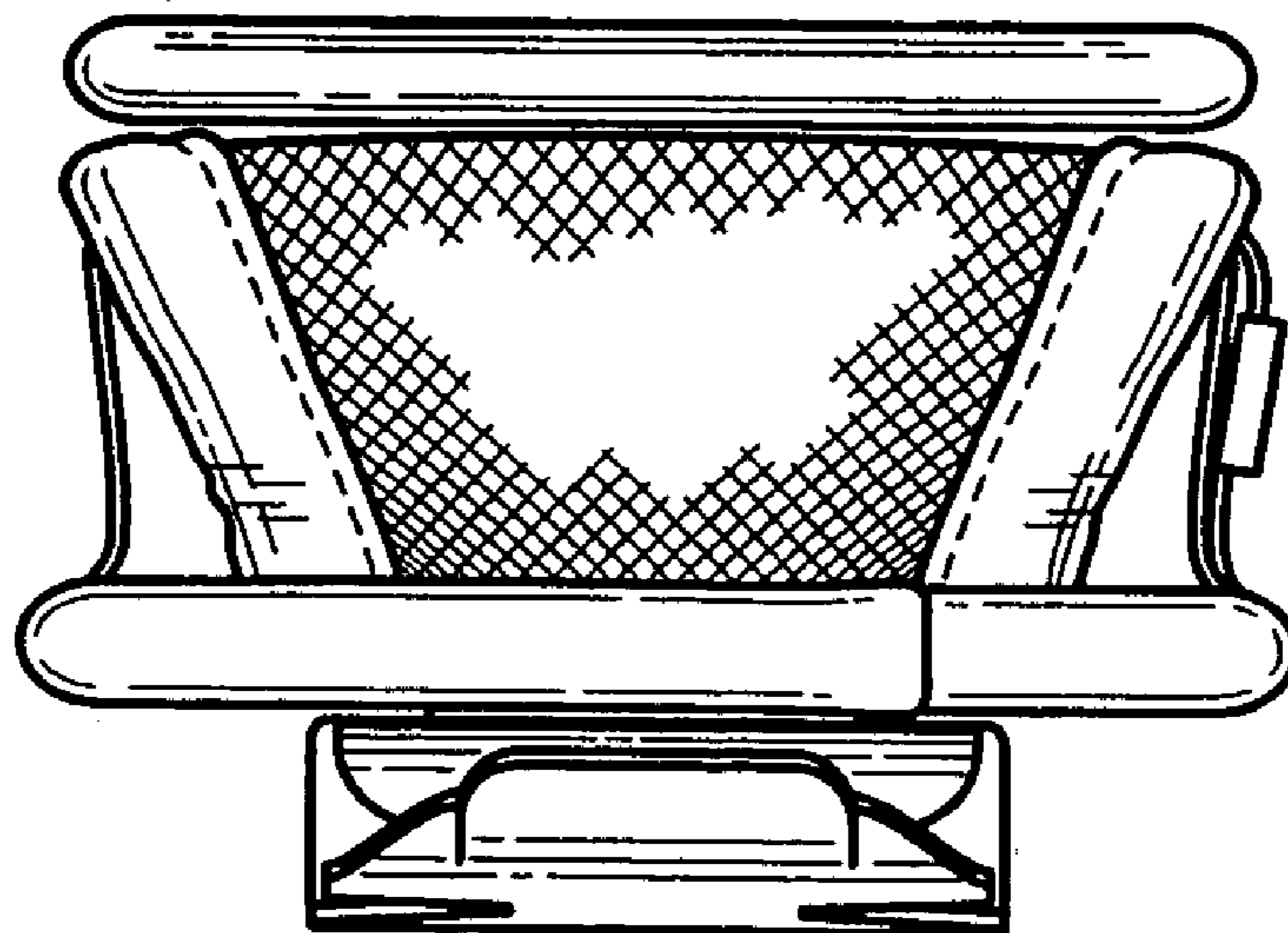


FIG. 8