



US00D550953S

(12) **United States Design Patent**
Yang et al.

(10) **Patent No.:** **US D550,953 S**
(45) **Date of Patent:** **** Sep. 18, 2007**

(54) **PROTECTIVE COVER FOR A DIGITAL PERSONAL STEREO**

(75) Inventors: **Shih-Sheng Yang**, Wu Ku Shiang (TW); **Aly Khalifa**, Raleigh, NC (US)

(73) Assignee: **Universal Trim Supply Co., Ltd.**, Wu Ku Industrial Zone (TW)

(**) Term: **14 Years**

(21) Appl. No.: **29/262,372**

(22) Filed: **Jul. 3, 2006**

(51) **LOC (8) Cl.** **03-01**

(52) **U.S. Cl.** **D3/218**

(58) **Field of Classification Search** D3/218-219, D3/215, 226, 228, 230, 201; D6/512, 553, D6/629, 407; 224/904, 268-272, 240, 195, 224/197, 666, 677, 679-680; D14/251-253; 379/455, 454; 455/90.3

See application file for complete search history.

(56) **References Cited**

U.S. PATENT DOCUMENTS

6,283,345 B1 * 9/2001 Butschat 224/679

D497,714 S * 11/2004 To D3/218
D521,232 S * 5/2006 Andre et al. D3/218
D526,479 S * 8/2006 Brandenburg D3/218
D528,539 S * 9/2006 McClaude D14/253
D530,079 S * 10/2006 Thomas et al. D3/218

* cited by examiner

Primary Examiner—Catherine R. Oliver

(74) *Attorney, Agent, or Firm*—Troxell Law Office, PLLC

(57) **CLAIM**

The ornamental design for a protective cover for a digital personal stereo, as shown and described.

DESCRIPTION

FIG. 1 is a perspective view of a protective cover for a digital personal stereo;

FIG. 2 is a front view thereof;

FIG. 3 is a back view thereof;

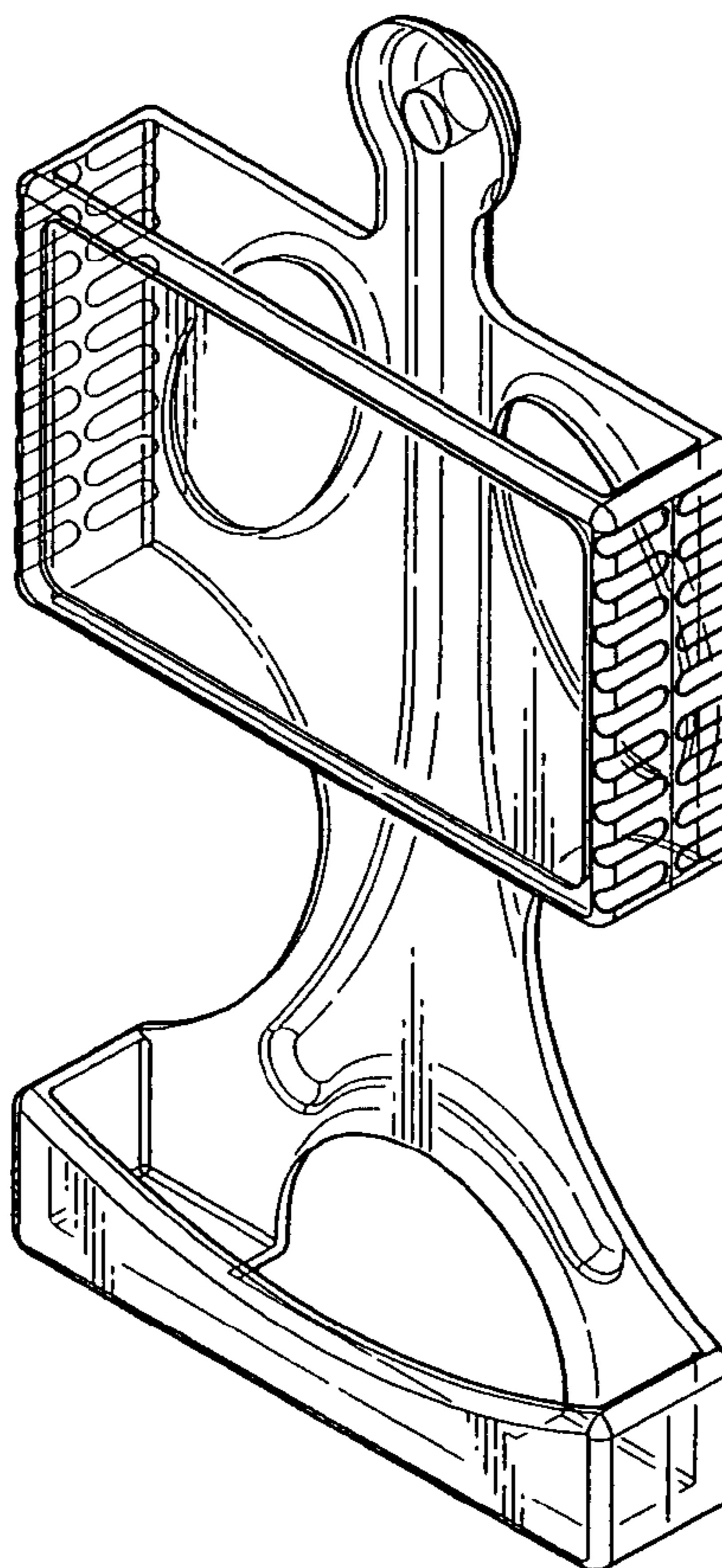
FIG. 4 is a left side view thereof;

FIG. 5 is a right side view thereof;

FIG. 6 is a top view thereof; and,

FIG. 7 is a bottom view thereof.

1 Claim, 4 Drawing Sheets



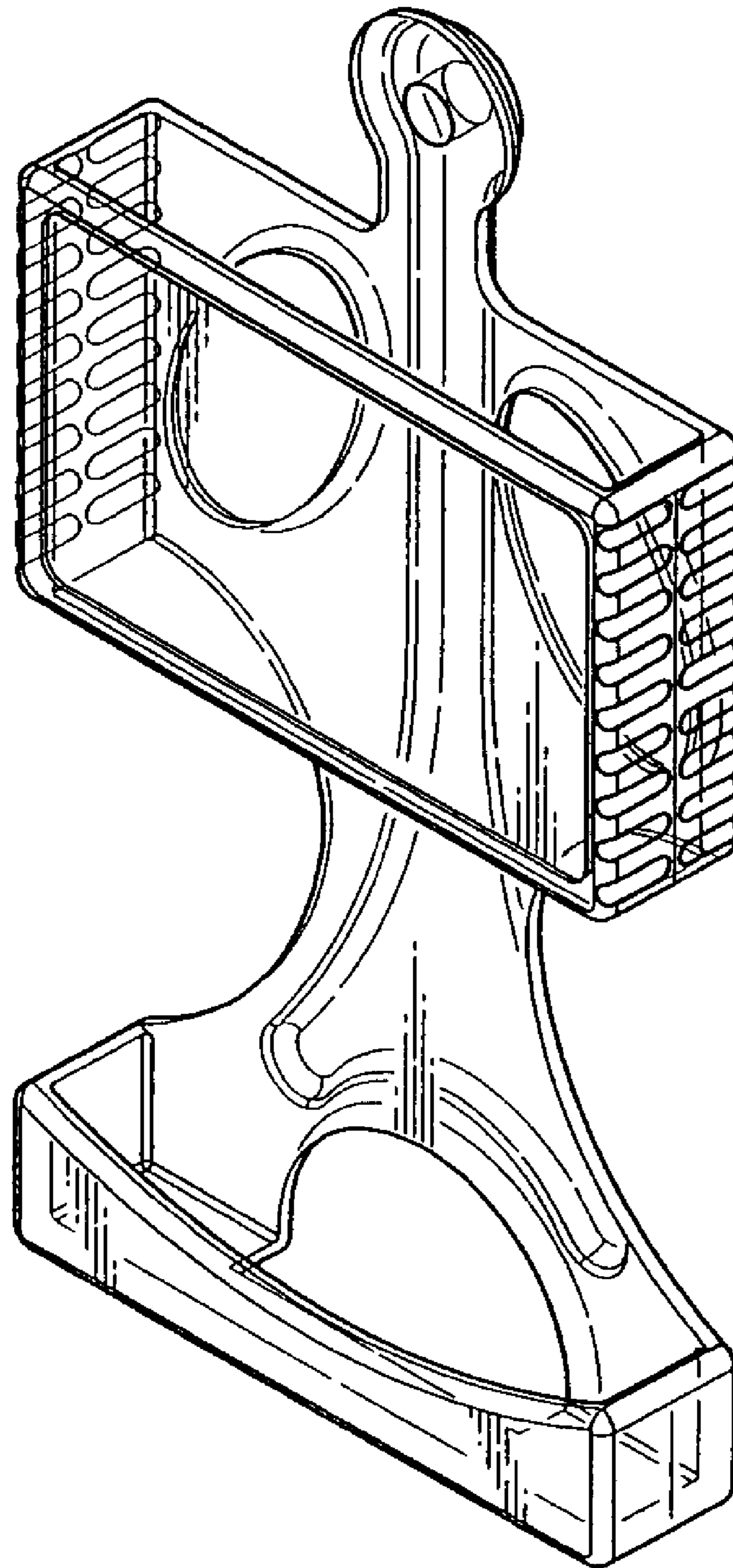


FIG. 1

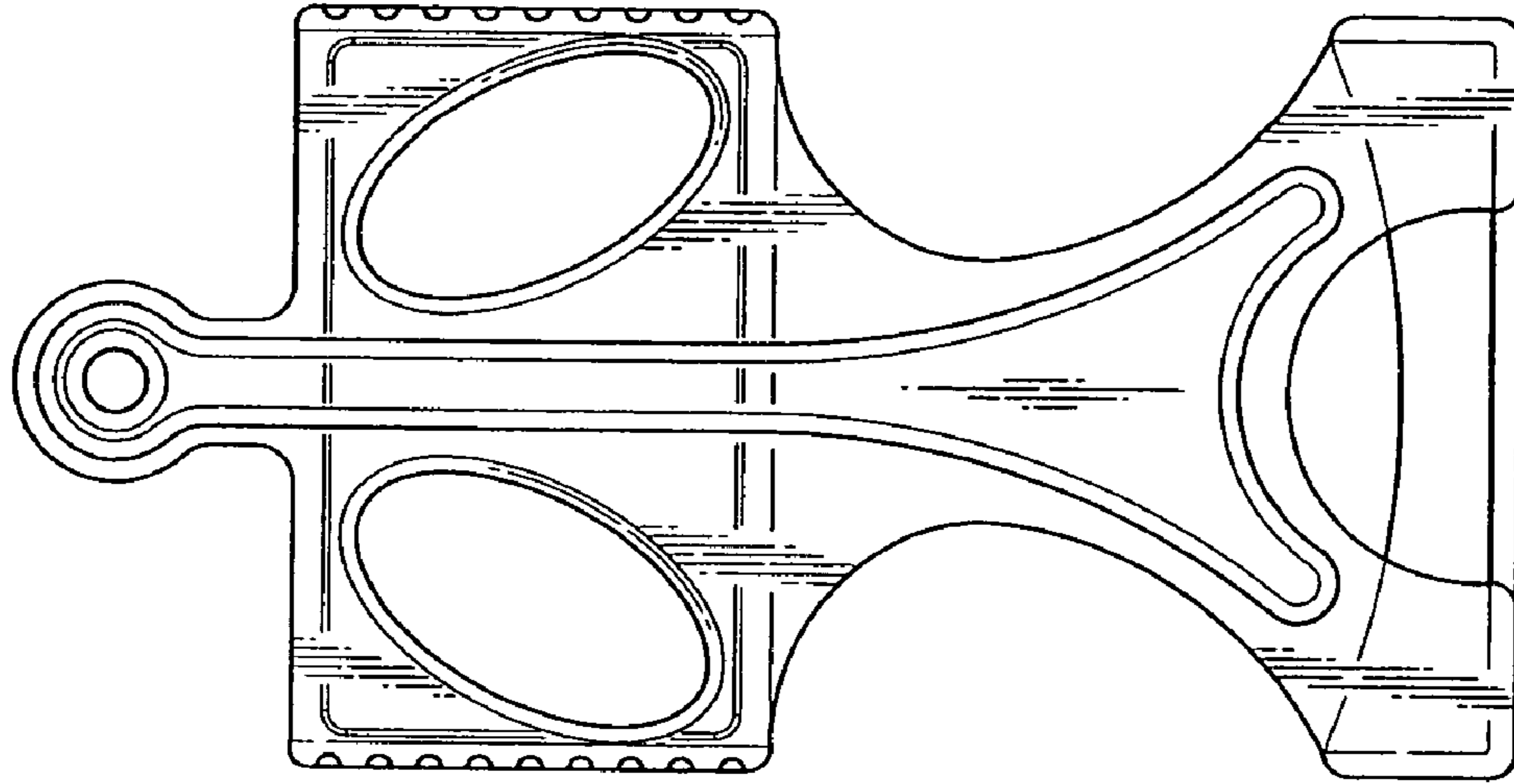


FIG. 3

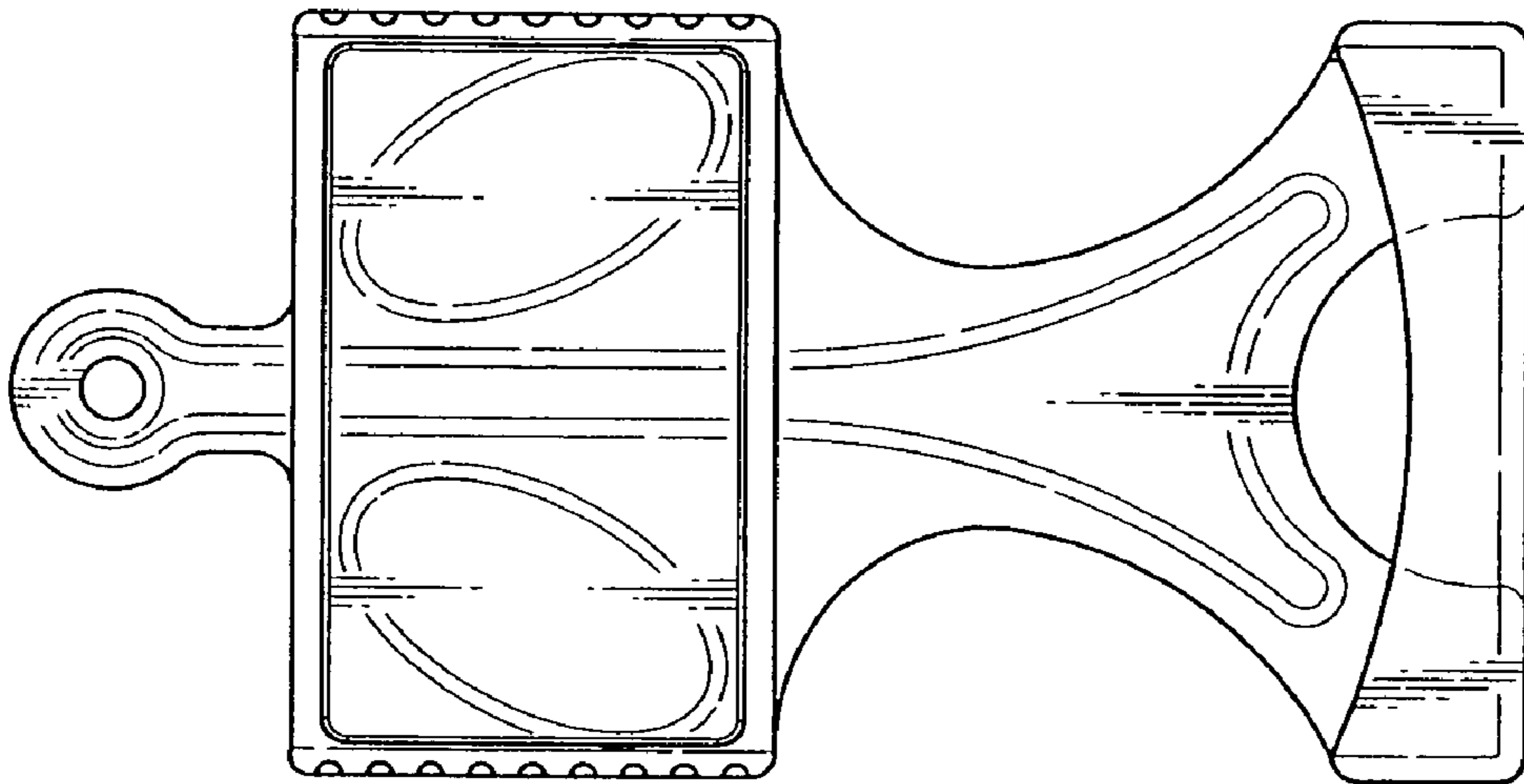


FIG. 2

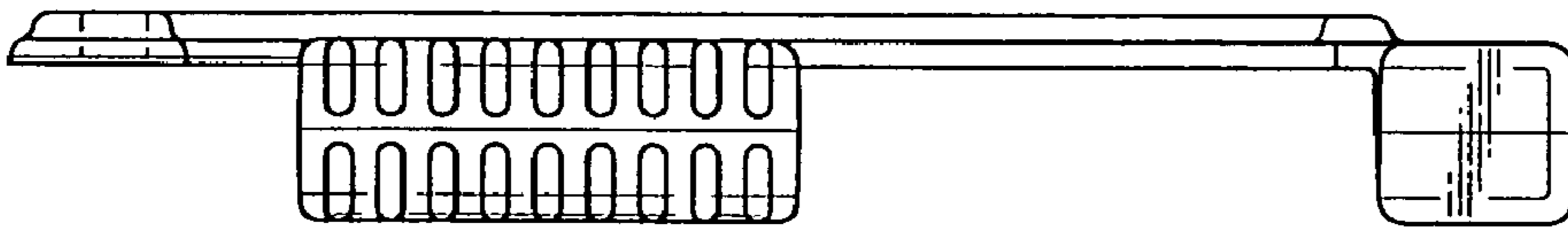


FIG. 5

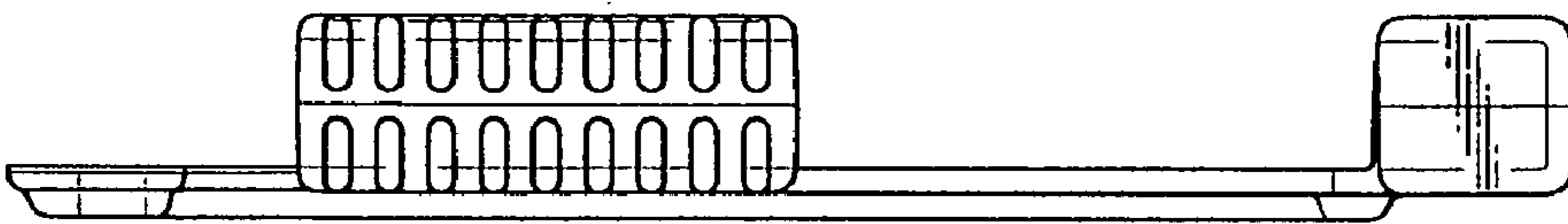


FIG. 4

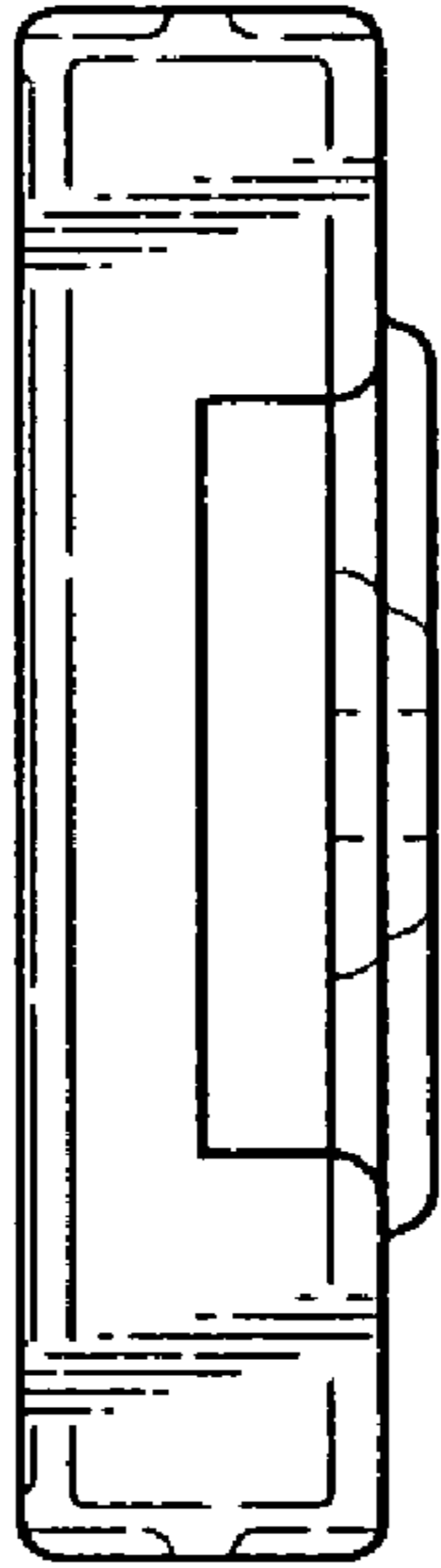


FIG. 7

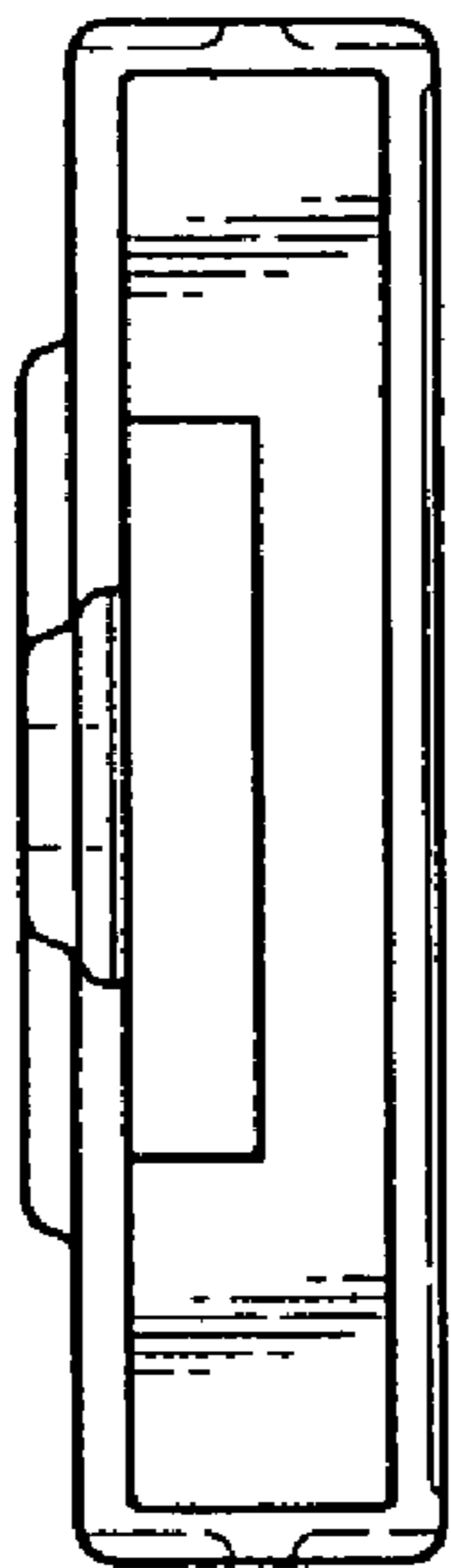


FIG. 6