



US00D550932S

(12) **United States Design Patent**
Cunliffe

(10) **Patent No.:** **US D550,932 S**

(45) **Date of Patent:** **** Sep. 18, 2007**

(54) **COMBINED CAP WITH TETHERED BEVERAGE OPENER**

(76) **Inventor:** **Stephen Edson Cunliffe**, 8653 Avenida Costa Norte, San Diego, CA (US) 92067

(**) **Term:** **14 Years**

(21) **Appl. No.:** **29/238,940**

(22) **Filed:** **Sep. 24, 2005**

(51) **LOC (8) Cl.** **02-03**

(52) **U.S. Cl.** **D2/882; D2/866**

(58) **Field of Classification Search** D2/865, D2/866, 872, 882, 884, 893; 2/171, 175.1, 2/175.7, 181, 195.1-195.5, 209.12, 209.13, 2/209.3; D8/18, 33, 34, 38, 40, 41
See application file for complete search history.

(56) **References Cited**

U.S. PATENT DOCUMENTS

4,451,935	A *	6/1984	Henschel	2/209.13
D363,157	S *	10/1995	Rodgers	D2/866
D384,488	S *	10/1997	Kaufman	D2/866
5,898,946	A *	5/1999	Keating et al.	2/209.13
6,154,887	A *	12/2000	Yagi	2/175.7
D456,118	S *	4/2002	Hill	D2/866
6,446,265	B1 *	9/2002	Moreau et al.	2/175.7
D466,770	S *	12/2002	Kelleghan	D8/40

D501,979	S *	2/2005	Lundgren	D2/866
D503,516	S *	4/2005	Wysopal	D2/866
6,877,168	B1 *	4/2005	Duffy et al.	2/175.7
D510,471	S *	10/2005	Yan	D2/882
D521,332	S *	5/2006	Dighton et al.	D8/38

* cited by examiner

Primary Examiner—Robert M. Spear
Assistant Examiner—Mary Ann Calabrese
(74) *Attorney, Agent, or Firm*—Eric Hanscom

(57) **CLAIM**

The ornamental design for a combined cap with tethered beverage opener, as shown and described.

DESCRIPTION

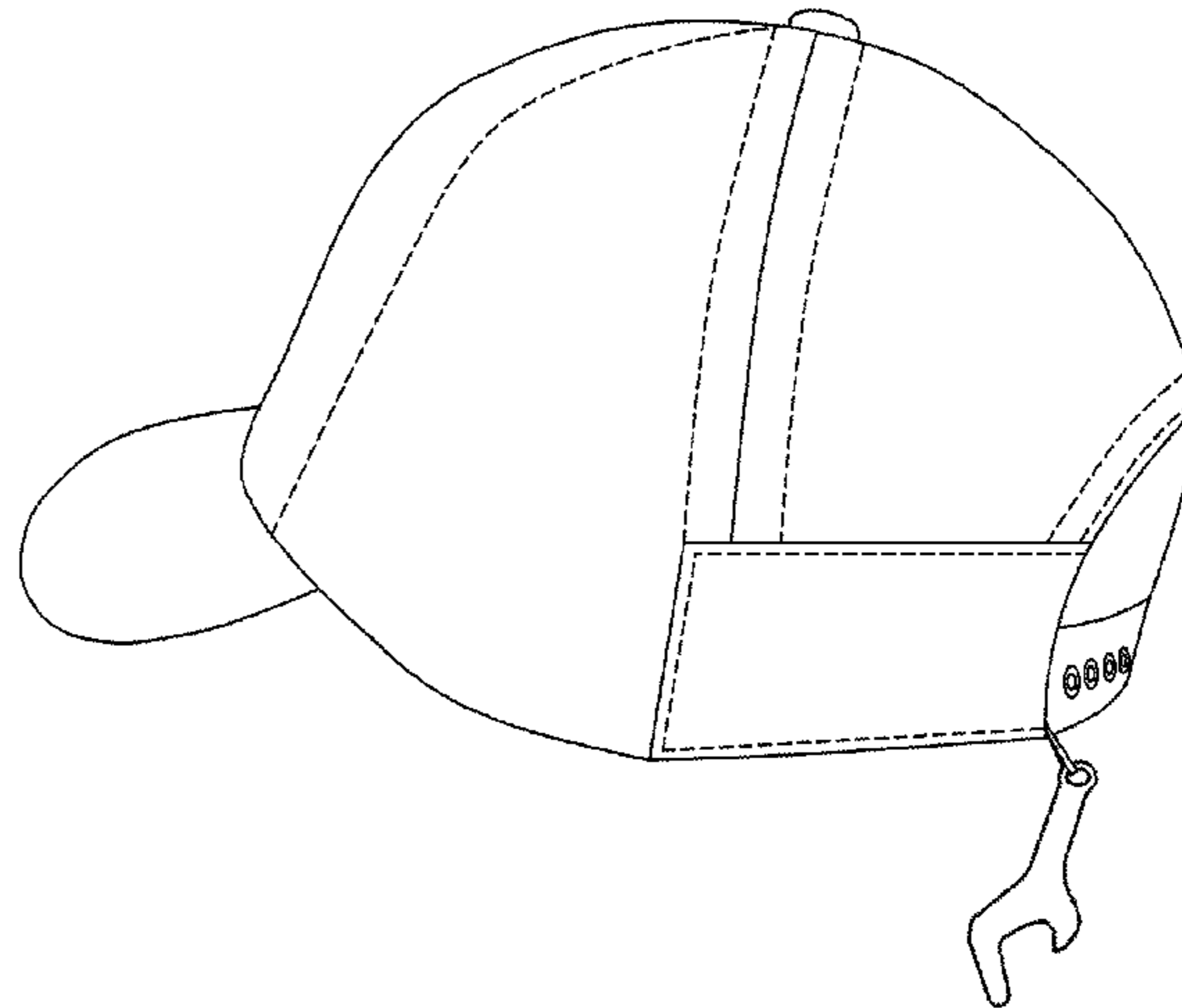
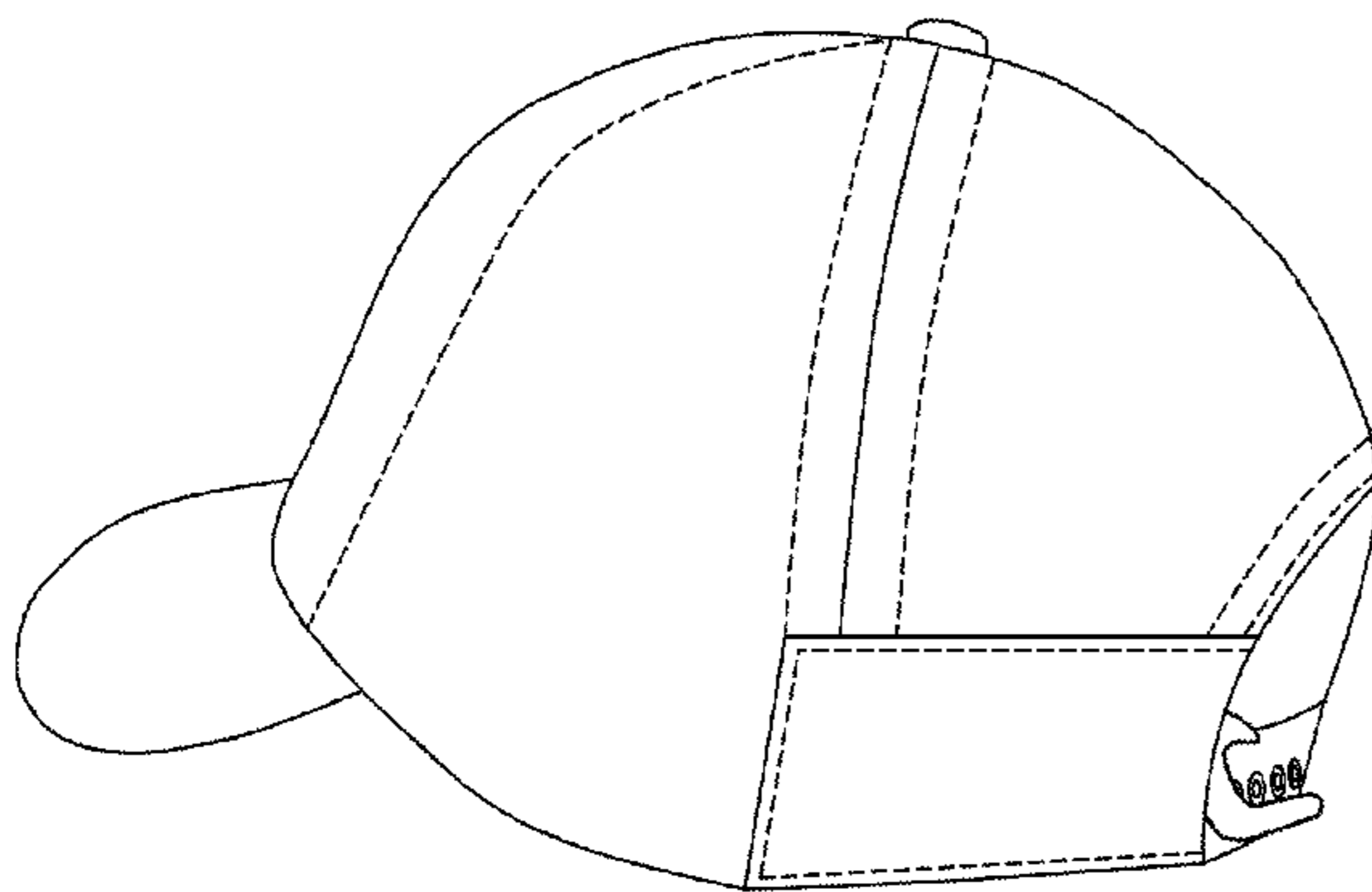
FIG. 1 is a right-side perspective view of a combined cap with tethered beverage opener, showing my new design;

FIG. 2 is a rear perspective view thereof, showing the tethered beverage opener inserted into its slot in the back of the cap; and,

FIG. 3 is a right-side perspective view thereof, showing tethered beverage opener removed from the slot in the back of the cap for clarity and disclosure.

In the drawings, the broken lines represent stitching, forming part of the claimed design.

1 Claim, 3 Drawing Sheets



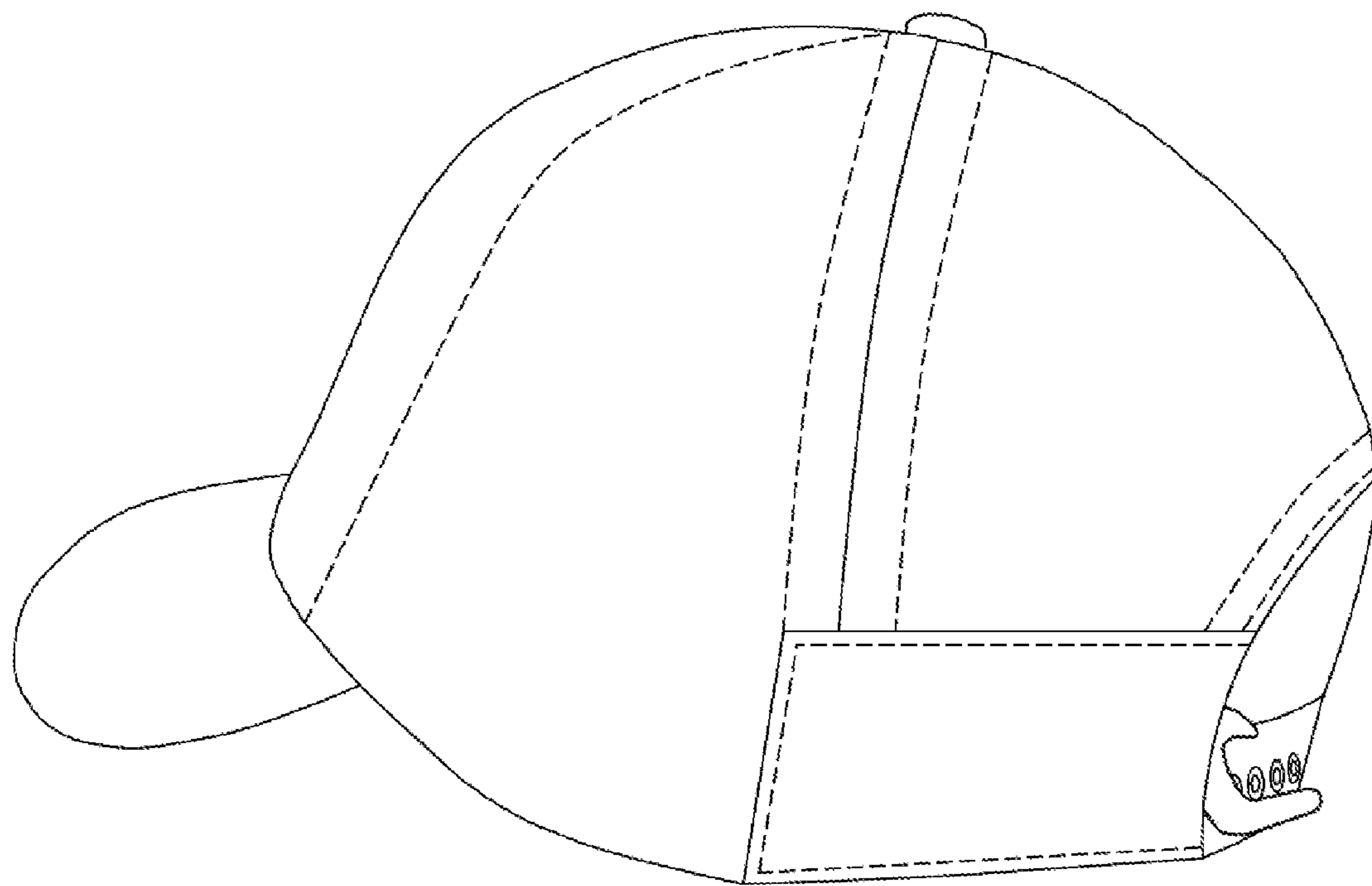


FIG. 1

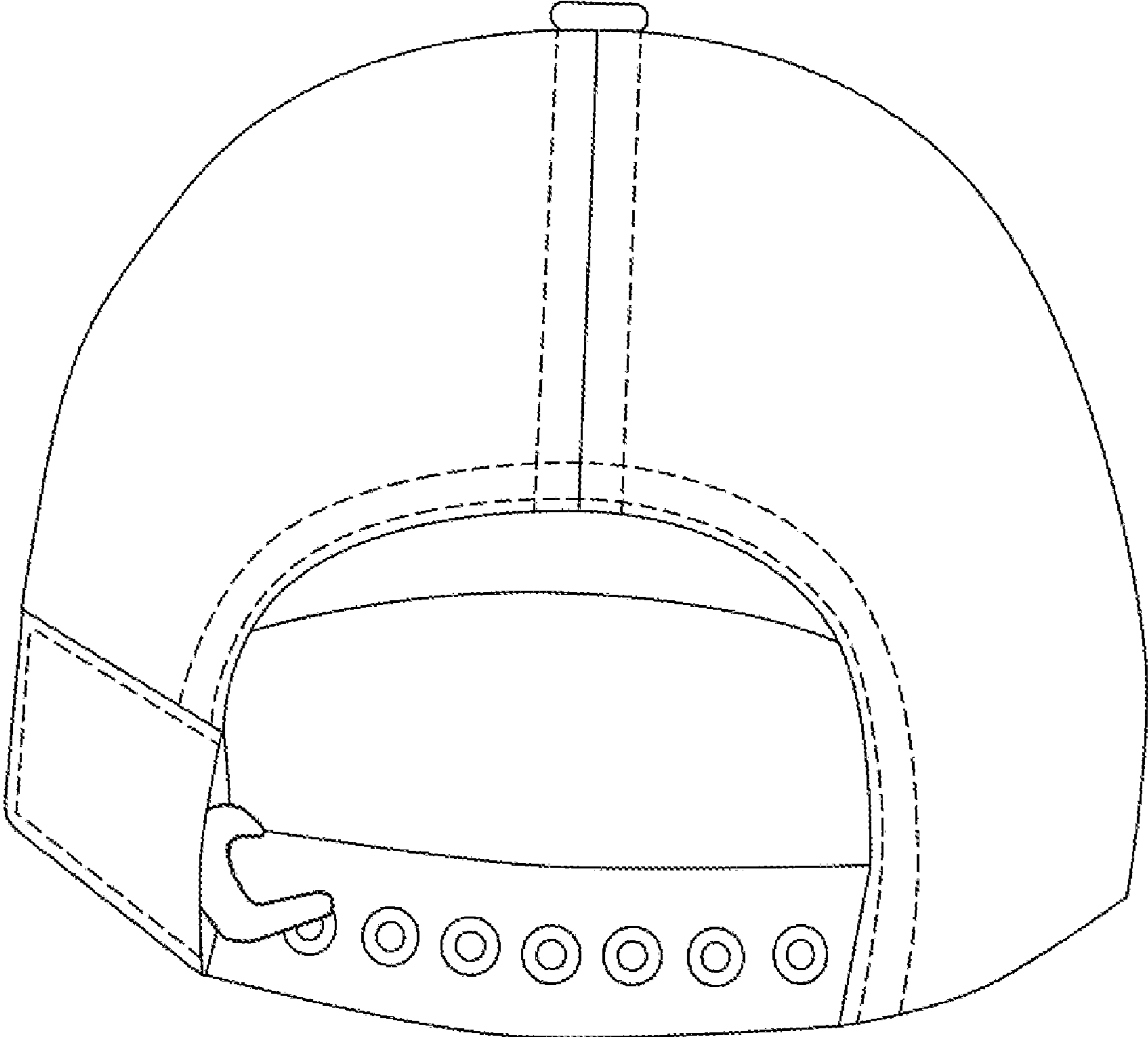


FIG. 2

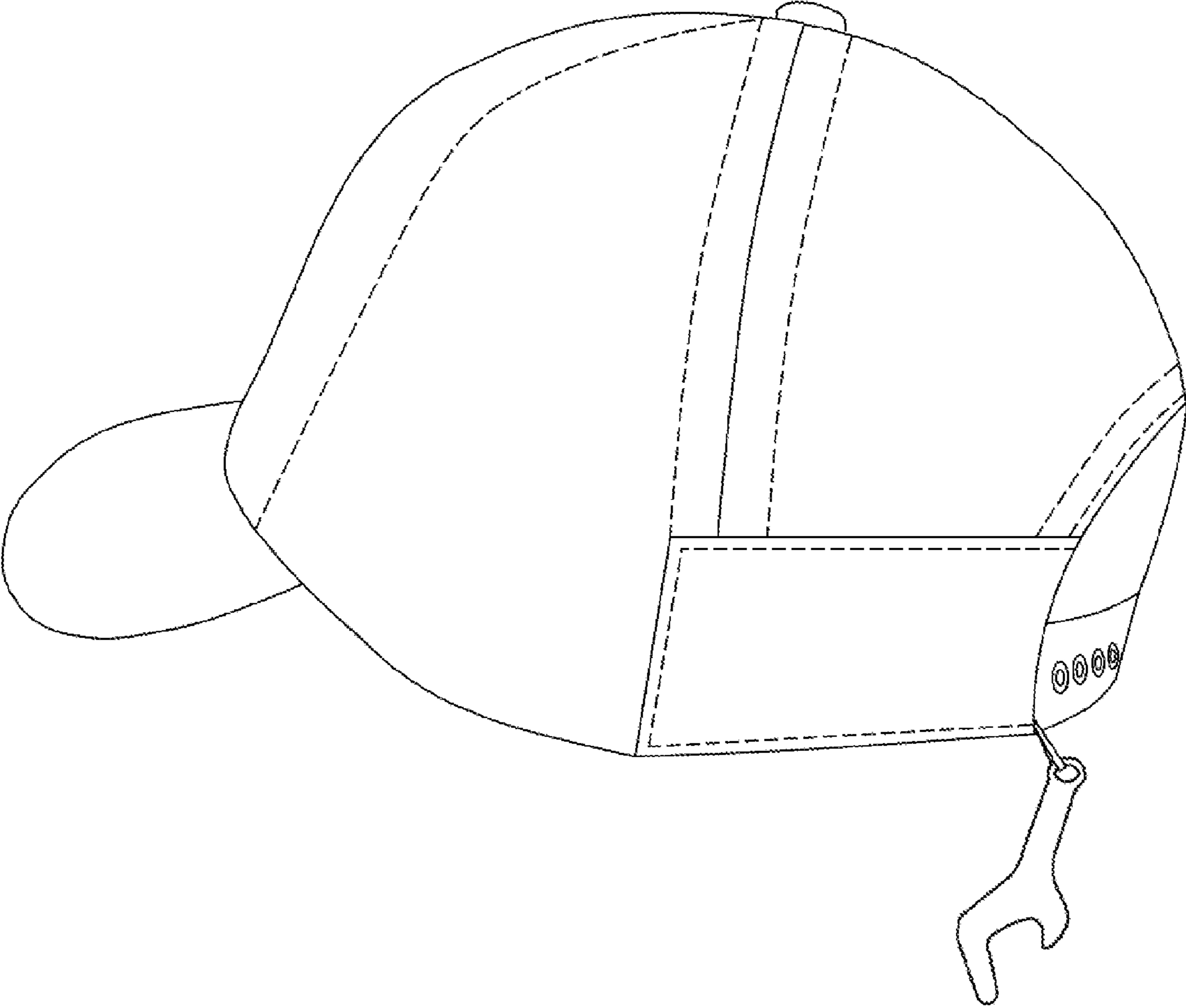


FIG. 3