



US00D550927S

(12) **United States Design Patent**
Flowers et al.

(10) **Patent No.:** **US D550,927 S**

(45) **Date of Patent:** **** Sep. 18, 2007**

(54) **COMBINED CAKE AND ICE CREAM
DESSERT**

(75) Inventors: **Tracy Flowers**, Scottsdale, AZ (US);
Raymond John Karam, Peoria, AZ
(US); **Melissa Parry Underwood**,
Scottsdale, AZ (US); **Julie Jean
Drasen**, Scottsdale, AZ (US)

(73) Assignee: **Cold Stone Creamery, Inc.**, Scottsdale,
AZ (US)

(**) Term: **14 Years**

(21) Appl. No.: **29/208,192**

(22) Filed: **Jun. 23, 2004**

(51) **LOC (8) Cl.** **01-01**

(52) **U.S. Cl.** **D1/129; D1/130**

(58) **Field of Classification Search** D1/101,
D1/120-2, 129-30, 199; 426/89, 100-1,
426/103-4, 293, 302, 306-7, 517-8, 572

See application file for complete search history.

(56) **References Cited**

U.S. PATENT DOCUMENTS

| | | | | | |
|-----------|-----|---------|-----------------|-------|---------|
| 1,710,369 | A * | 4/1929 | Martin | | 249/92 |
| 1,788,493 | A * | 1/1931 | Olschewsky | | 426/289 |
| 3,031,309 | A * | 4/1962 | Bogner et al. | | 426/90 |
| 3,070,446 | A * | 12/1962 | Seiferth et al. | | 426/129 |
| D269,644 | S | 7/1983 | De Pascalis | | |
| D303,312 | S | 9/1989 | Vitacco | | |
| D307,970 | S | 5/1990 | Maloney, II | | |
| D312,345 | S * | 11/1990 | Daldrup | | D1/129 |
| 5,238,692 | A * | 8/1993 | Taga et al. | | 426/274 |
| D347,308 | S | 5/1994 | Lundberg | | |
| D357,340 | S * | 4/1995 | Solmon | | D1/130 |
| D357,341 | S * | 4/1995 | Solmon | | D1/130 |
| D385,687 | S | 11/1997 | Ahlqvist et al. | | |

| | | | | | |
|--------------|------|---------|-----------------|-------|---------|
| D402,227 | S | 12/1998 | Granger et al. | | |
| 6,056,982 | A * | 5/2000 | Oshima | | 426/104 |
| D486,951 | S | 2/2004 | Ghaffari et al. | | |
| D487,181 | S | 3/2004 | Ghaffari et al. | | |
| 2001/0005522 | A1 * | 6/2001 | Stewart | | 426/383 |
| 2006/0093708 | A1 * | 5/2006 | Yaseen et al. | | 426/101 |

OTHER PUBLICATIONS

D1 BOX AA6: Ready Crust, advertisement, Sep. 23, 1983.*
D1 BOX AA6: Professional Baking, 1985.*
. . . Mrs. Fields I Love Chocolate! Cookbook, by Debbie Fields,
Time-Life Books, VA © 1994, p. 47.*
Baskin Robbins Father's Day mail flyer for Jun. 2006, with one
coupon.
Baskin Robbins Father's Day mail flyer for Jun. 2006, with two
coupons.

* cited by examiner

Primary Examiner—Robin Webster

Assistant Examiner—Karen E. Patterson

(74) *Attorney, Agent, or Firm*—Snell & Wilmer L.L.P.

(57) **CLAIM**

The ornamental design for the combined cake and ice cream
dessert, as shown and described.

DESCRIPTION

FIG. 1 is a front perspective view of a combined cake and
ice cream dessert showing my new design of the present
invention, the rear perspective view being identical;

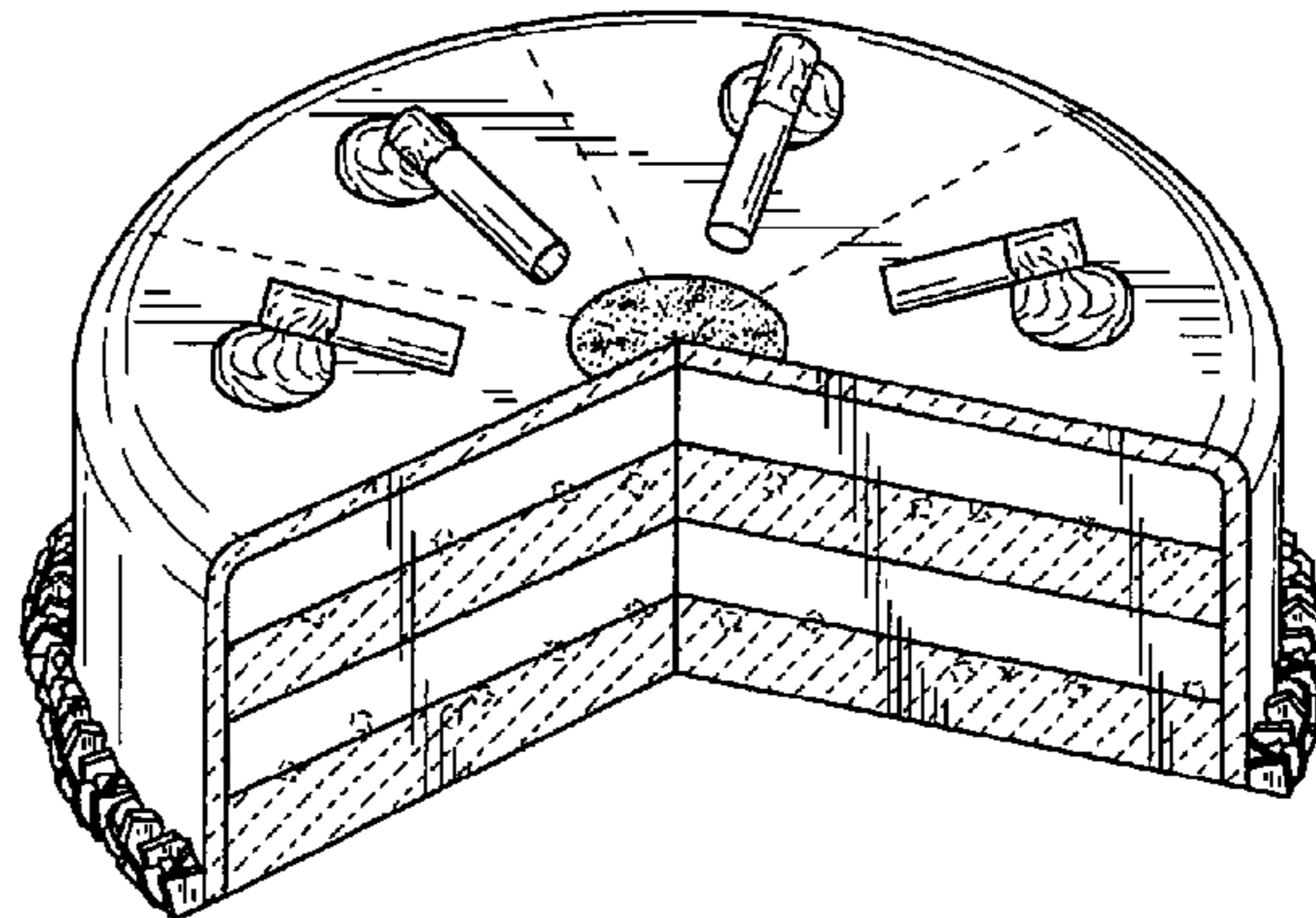
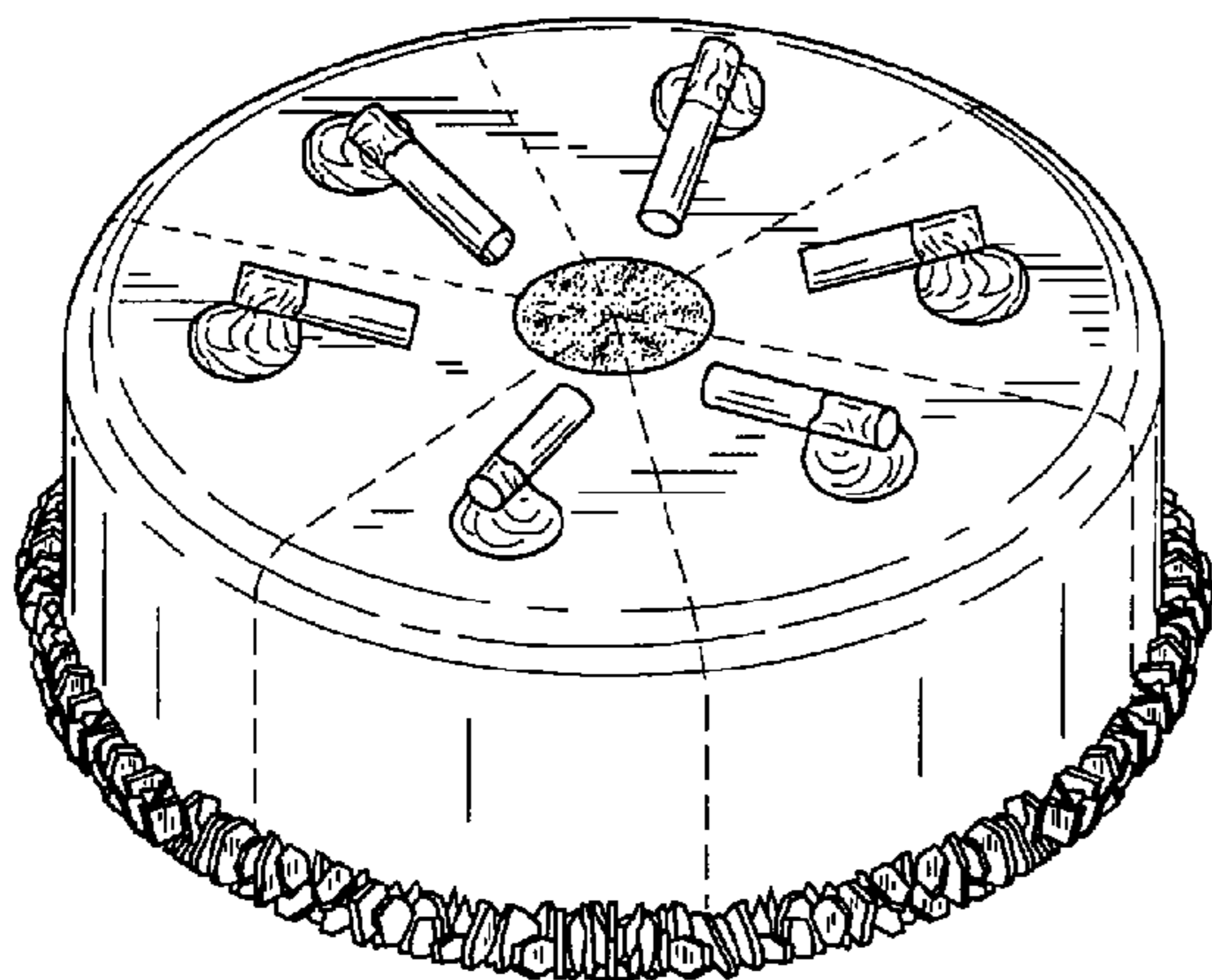
FIG. 2 is a top view thereof;

FIG. 3 is a side elevational view thereof, the opposite side
being identical; and,

FIG. 4 is a fragmented front perspective view thereof.

The broken lines are for illustrative purposes only and form
no part of the claimed design.

1 Claim, 4 Drawing Sheets



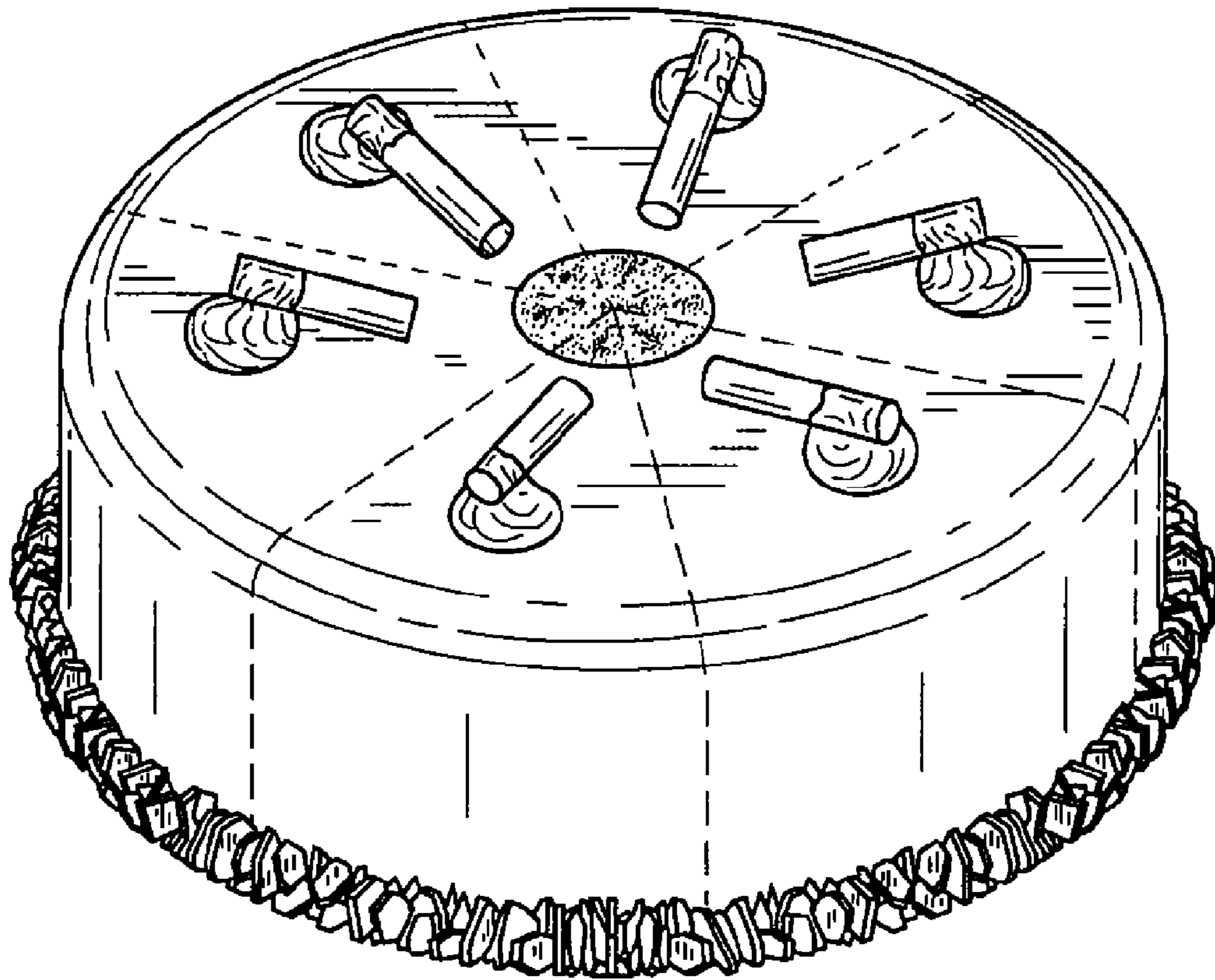


FIG.1

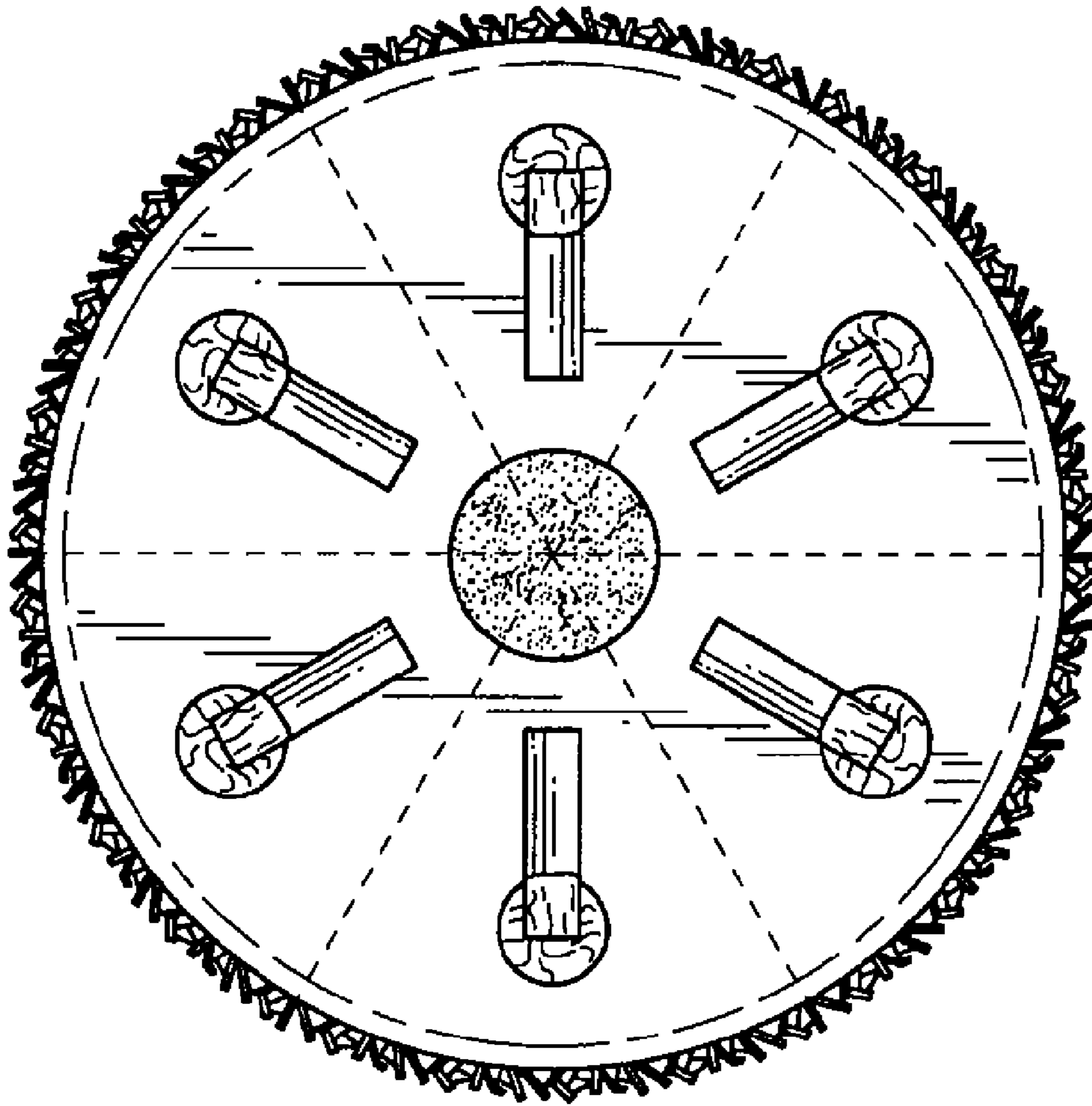


FIG.2

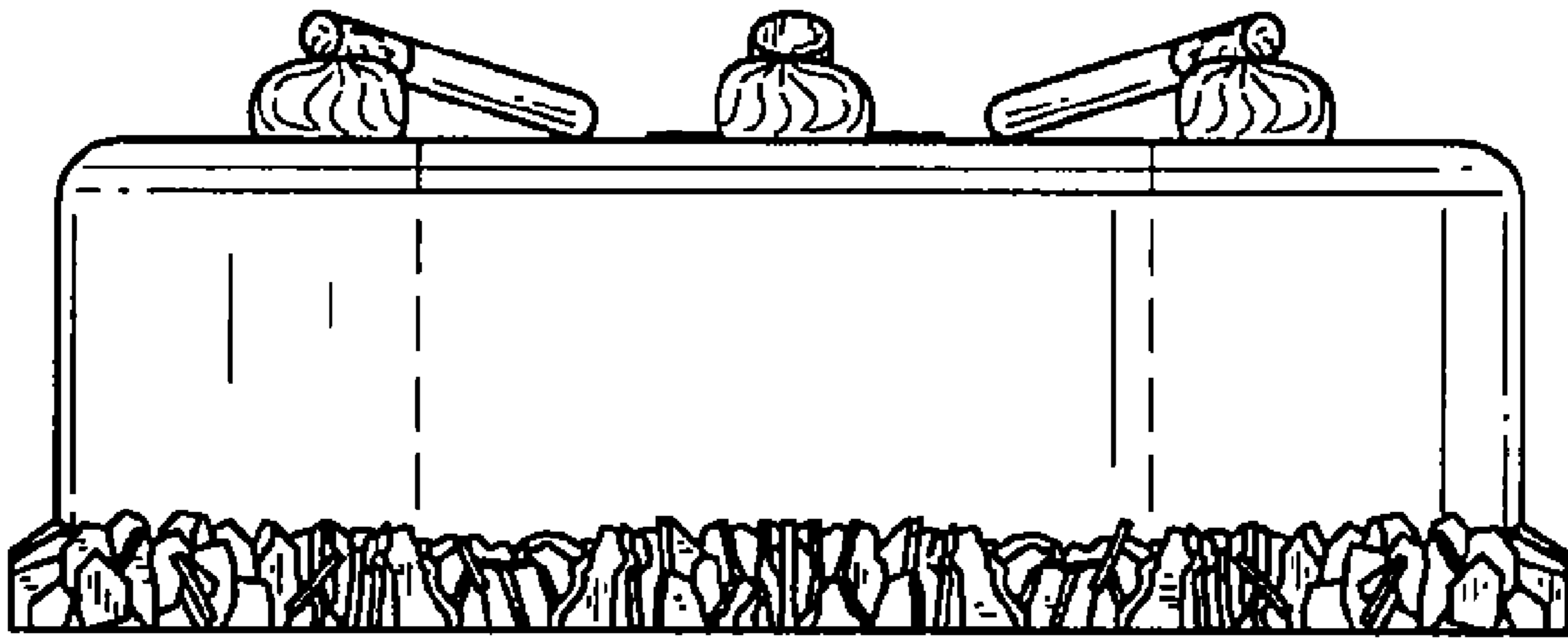


FIG.3

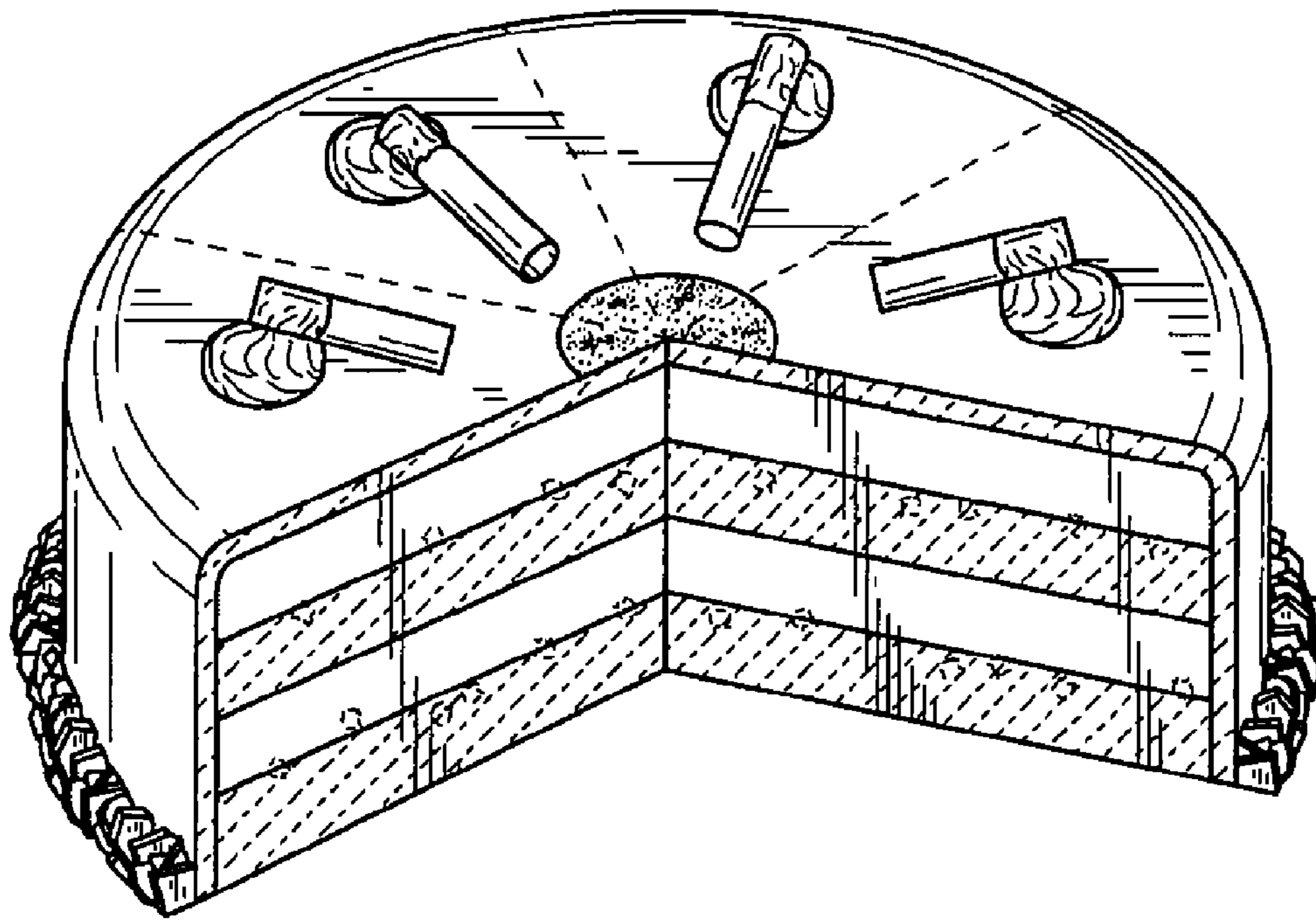


FIG.4