



US00D550924S

(12) **United States Design Patent**
Huang

(10) **Patent No.:** **US D550,924 S**

(45) **Date of Patent:** **** Sep. 11, 2007**

(54) **POWER WINCH**

(76) Inventor: **Shih Jyi Huang**, No. 19, Alley 6, Lane
325, Chien Kang Road, Taipei (TW)

(**) Term: **14 Years**

(21) Appl. No.: **29/269,277**

(22) Filed: **Nov. 28, 2006**

(51) **LOC (8) Cl.** **12-05**

(52) **U.S. Cl.** **D34/33**

(58) **Field of Classification Search** D34/28,
D34/33; 254/362, 356, 372, 380, 901, 382,
254/374, 316

See application file for complete search history.

(56) **References Cited**

U.S. PATENT DOCUMENTS

1,083,412	A *	1/1914	Shreve	254/342
2,360,713	A *	10/1944	Parker	254/337
2,365,141	A *	12/1944	Sully	254/270
3,190,617	A *	6/1965	Burrows	254/342
D219,298	S *	11/1970	Eyck	D34/33
4,103,872	A *	8/1978	Hirasuka	254/356
D307,965	S *	5/1990	Eley et al.	D34/33
D309,969	S *	8/1990	Tamura	D34/33
5,170,995	A *	12/1992	Bitsch et al.	254/342
D411,364	S *	6/1999	Sasaki et al.	D34/33
6,073,917	A *	6/2000	Plummer	254/389

D439,722	S *	3/2001	Huang	D34/33
D473,992	S *	4/2003	Hodge	D34/33
D475,499	S *	6/2003	Hodge	D34/33
D491,333	S *	6/2004	Blasek	D34/33
D524,508	S *	7/2006	Lichtenvort	D34/33
D532,577	S *	11/2006	Elliott et al.	D34/33
D540,003	S *	4/2007	Hagihara et al.	D34/33

* cited by examiner

Primary Examiner—Cynthia E. Ramirez

(74) *Attorney, Agent, or Firm*—Bacon & Thomas, PLLC

(57) **CLAIM**

The ornamental design for a power winch, as shown and described.

DESCRIPTION

FIG. 1 is a perspective view of a power winch showing my new design;

FIG. 2 is a front elevational view thereof;

FIG. 3 is a rear elevational view thereof;

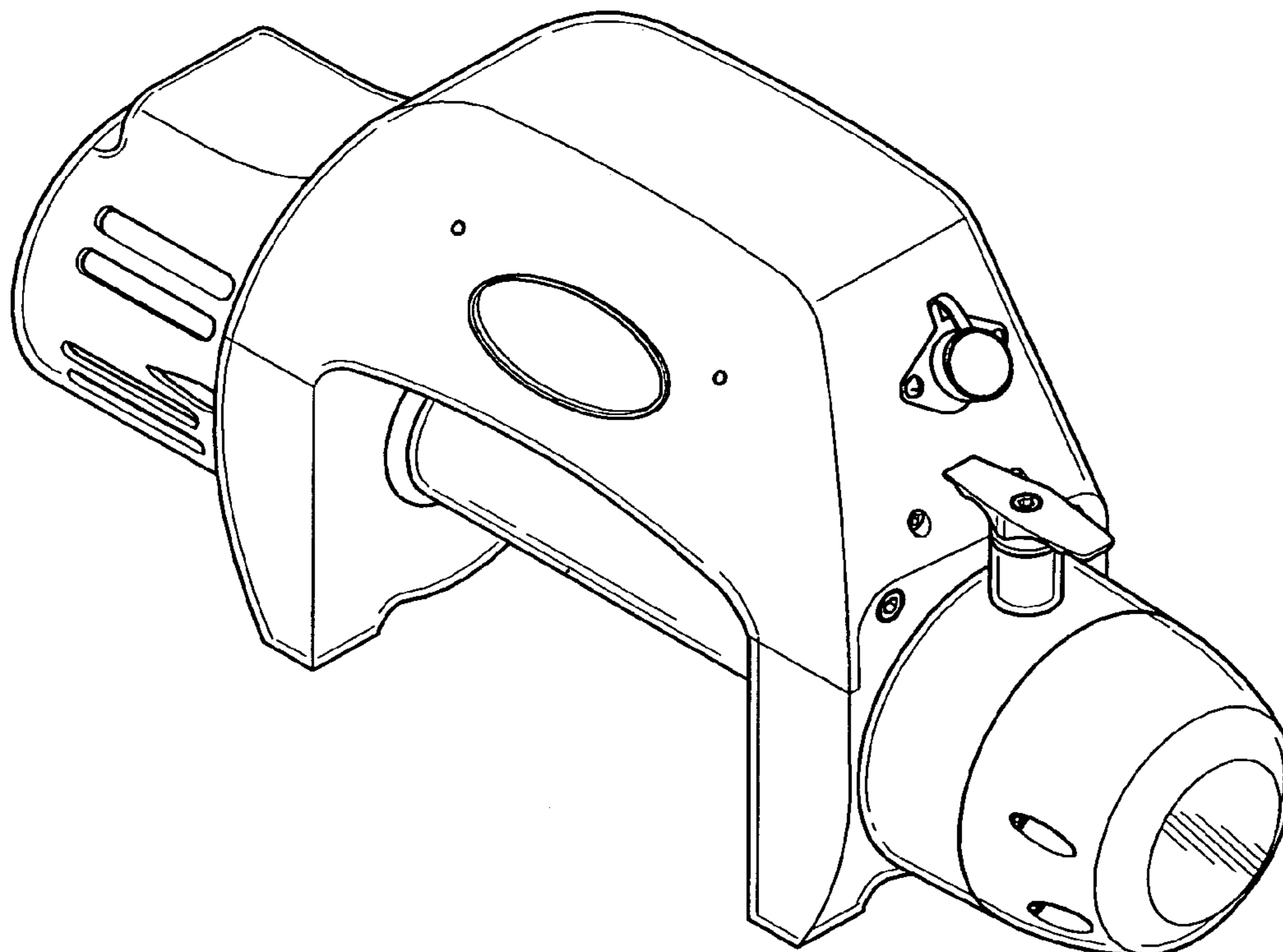
FIG. 4 is a left side elevational view thereof;

FIG. 5 is a right side elevational view thereof;

FIG. 6 is a top plan view thereof; and,

FIG. 7 is a bottom plan view.

1 Claim, 4 Drawing Sheets



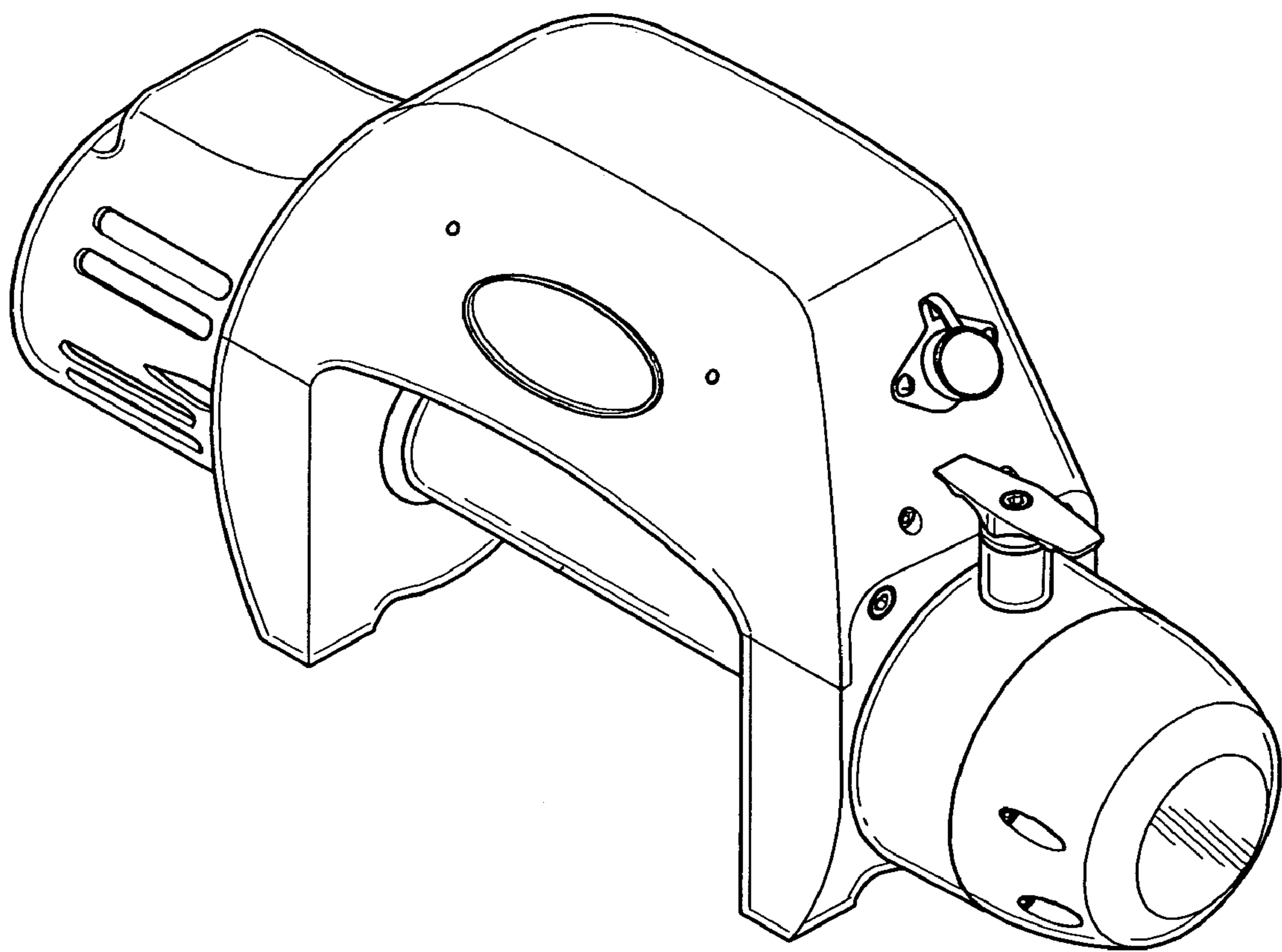


FIG. 1

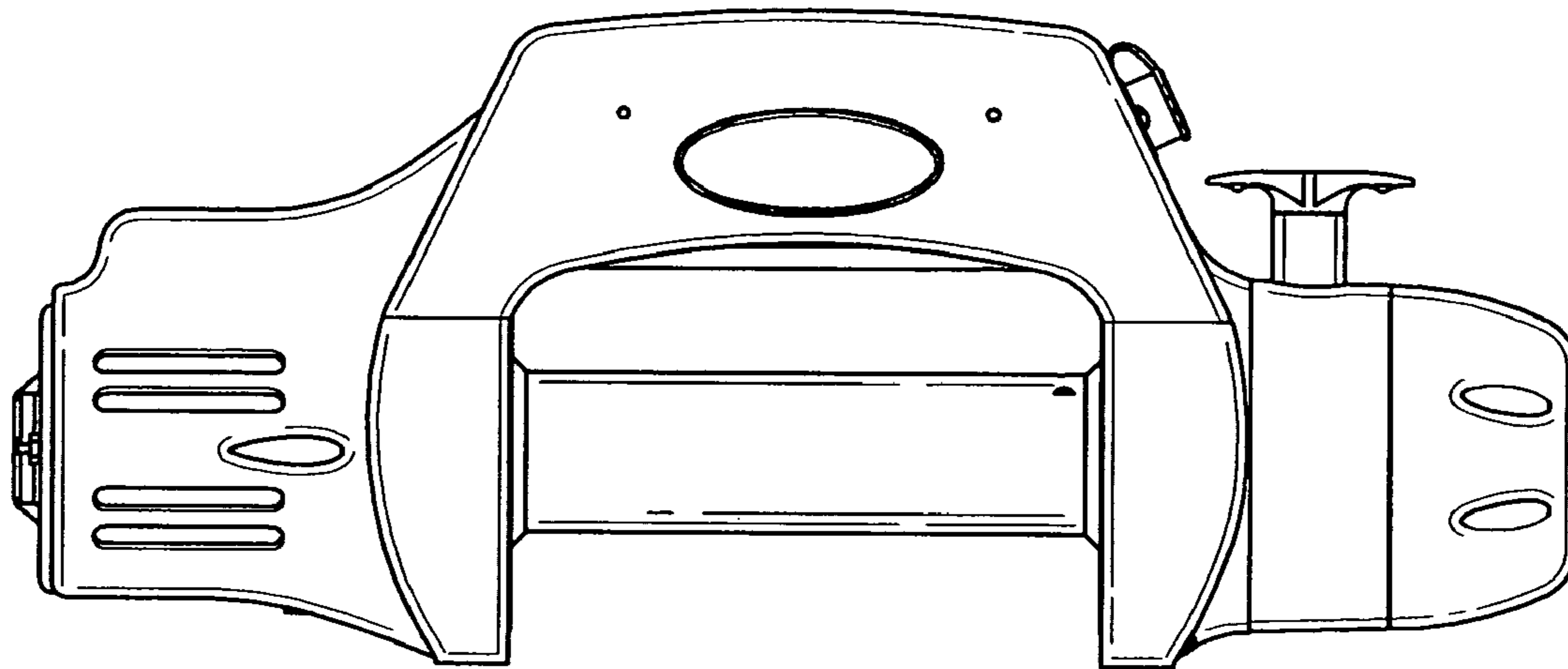


FIG. 2

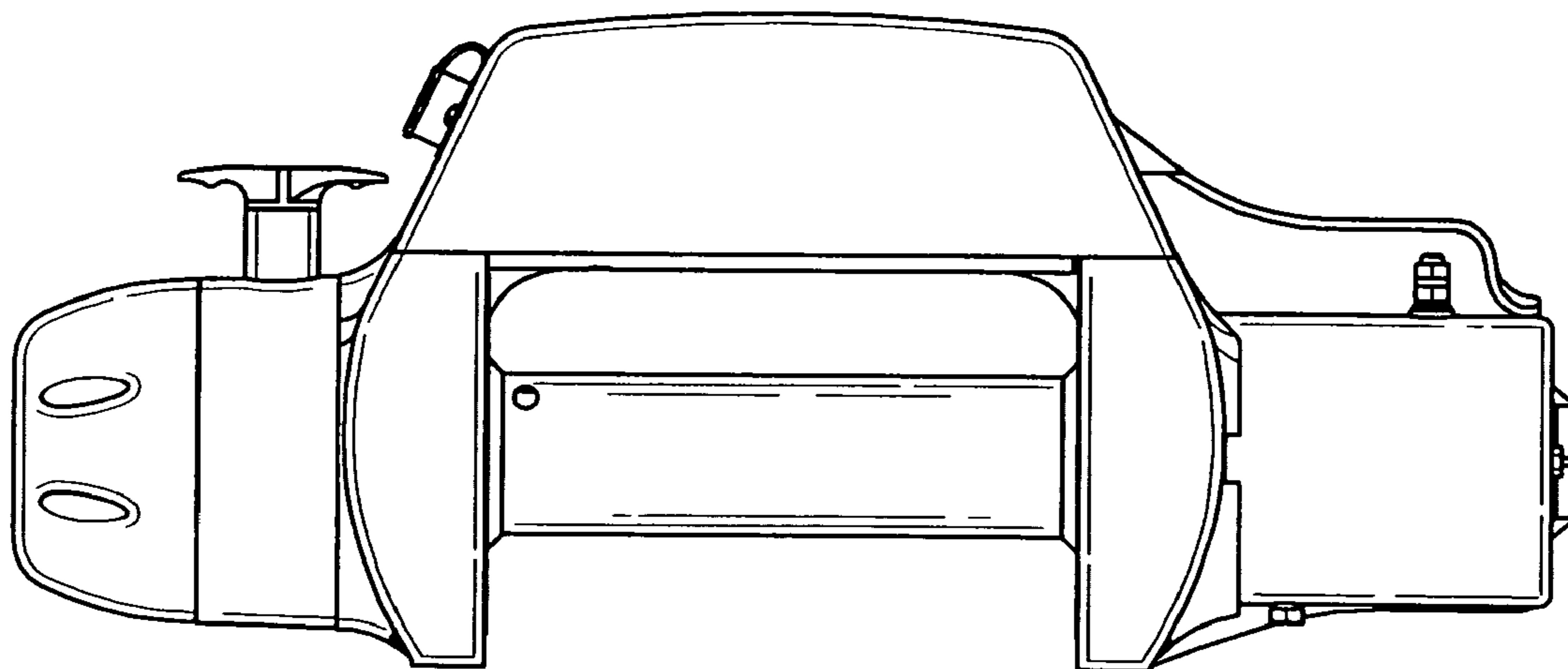


FIG. 3

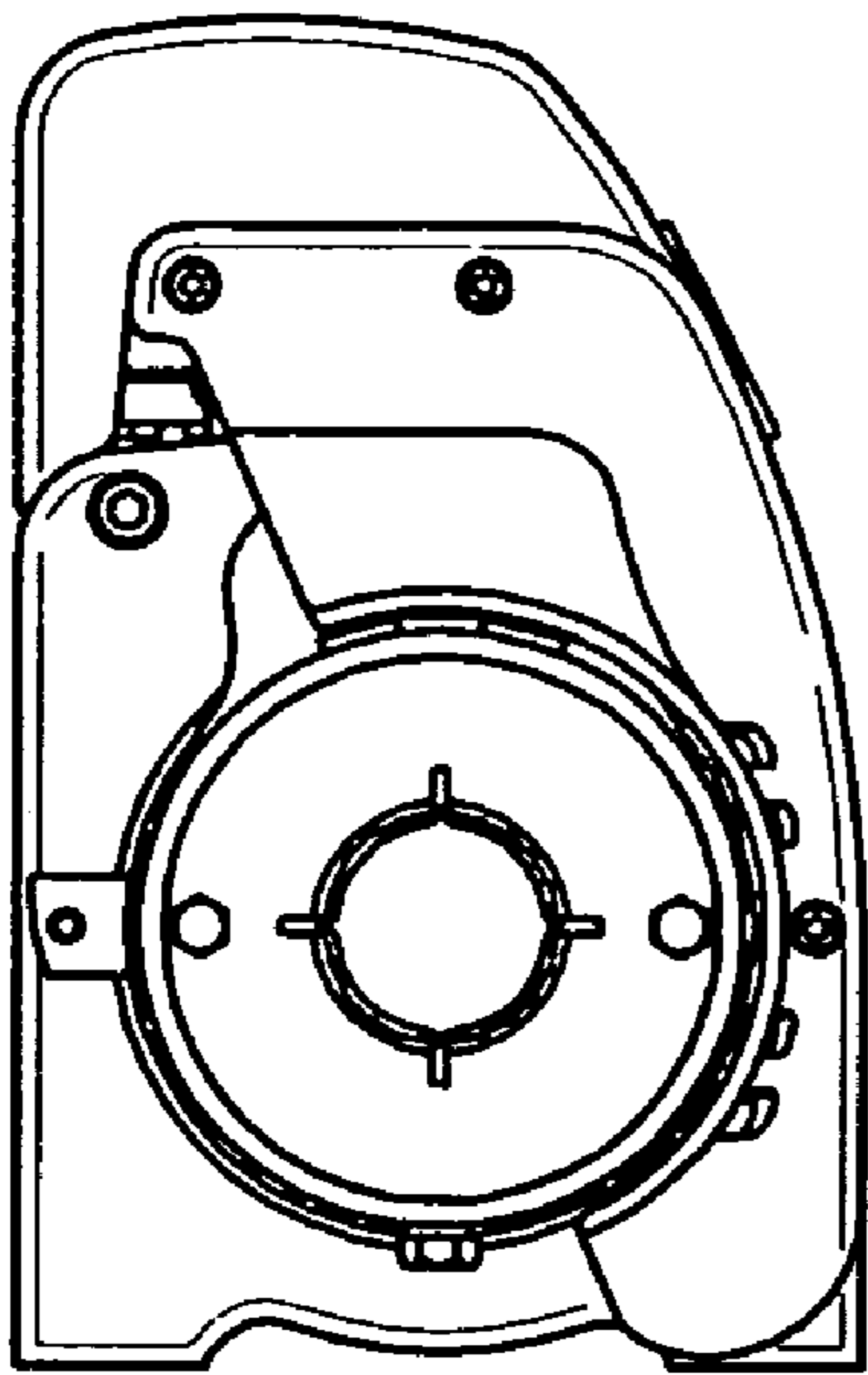


FIG. 4

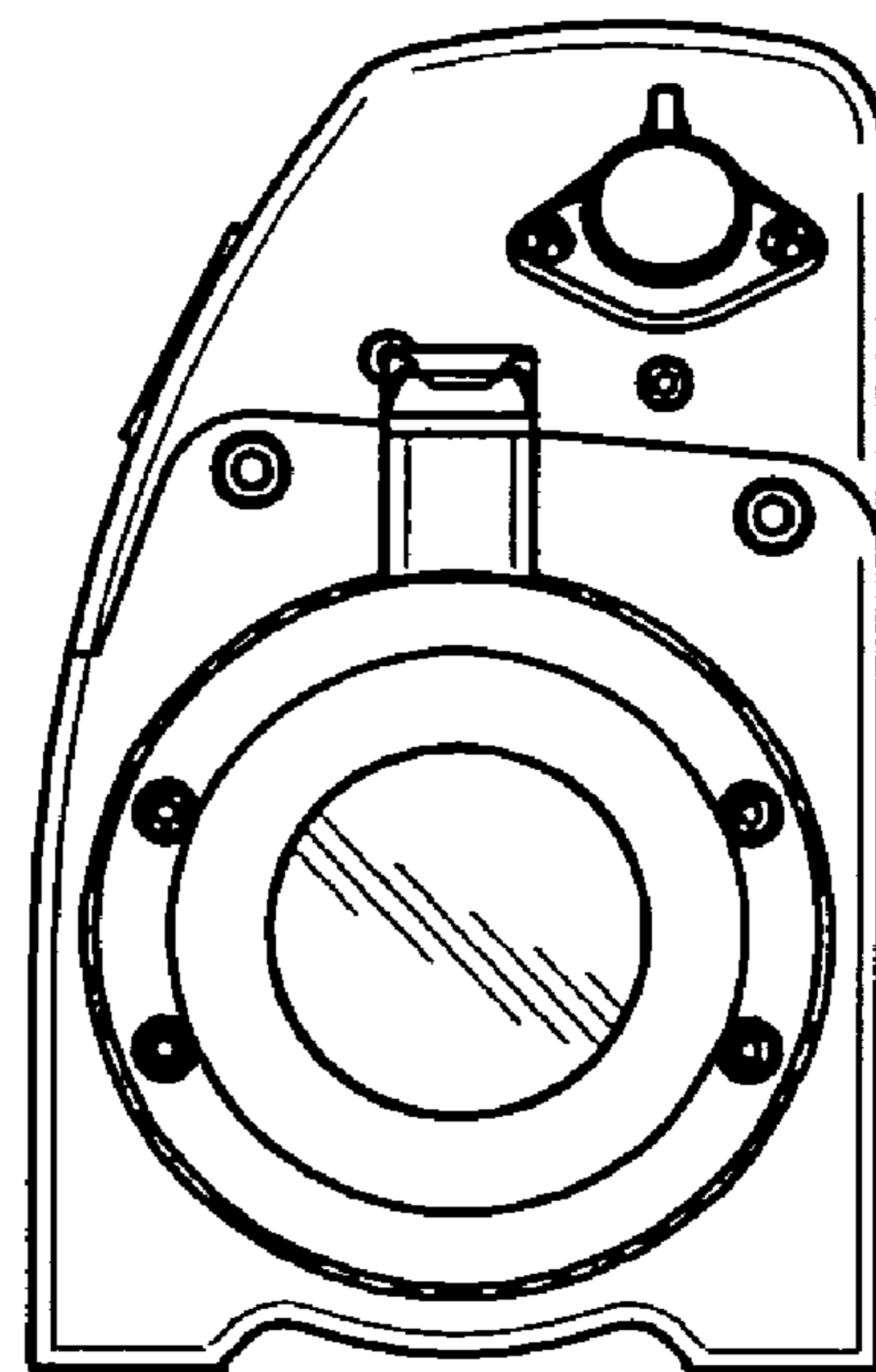


FIG. 5

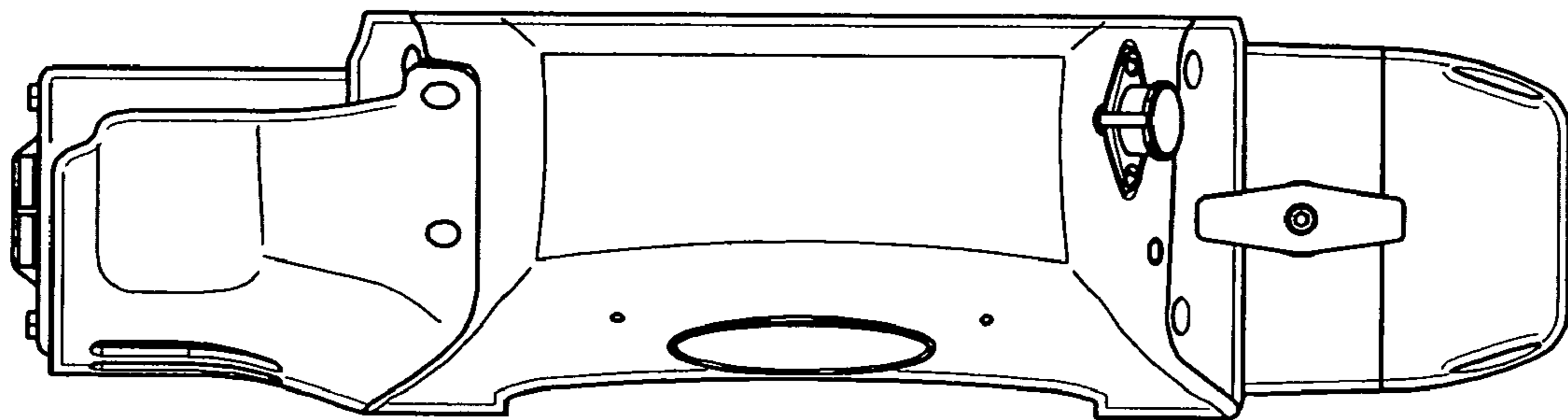


FIG. 6

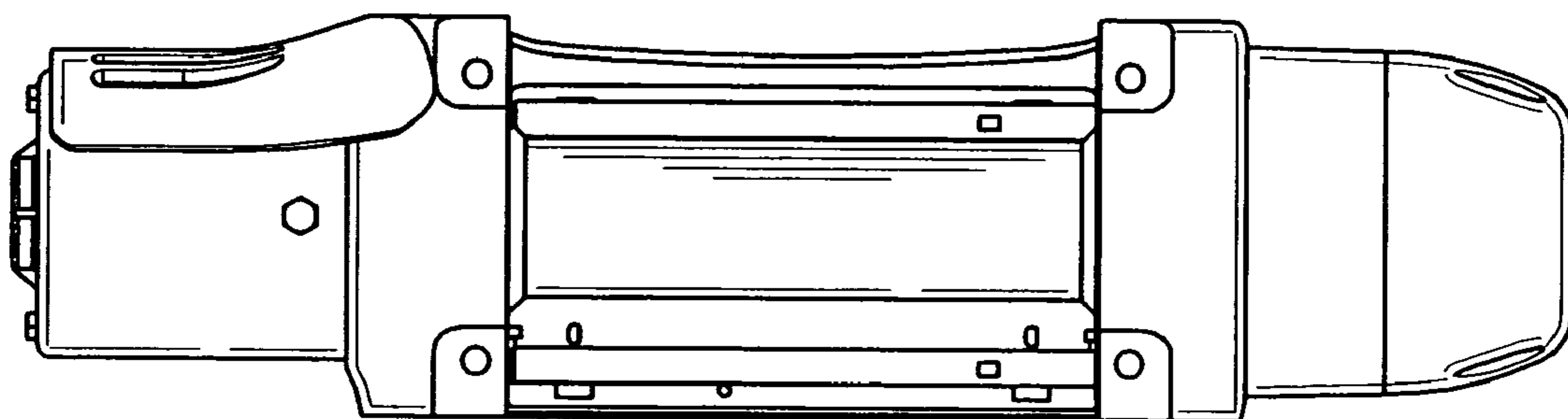


FIG. 7