



US00D550921S

(12) **United States Design Patent**  
**McMorris**

(10) **Patent No.:** **US D550,921 S**

(45) **Date of Patent:** **\*\* Sep. 11, 2007**

(54) **DOOR DOLLY**

(76) Inventor: **Sandra McMorris**, P.O. Box 297186,  
Pembroke Pines, FL (US) 33029

(\*\*) Term: **14 Years**

(21) Appl. No.: **29/250,394**

(22) Filed: **Nov. 13, 2006**

(51) **LOC (8) Cl.** ..... **12-02**

(52) **U.S. Cl.** ..... **D34/23; D34/28**

(58) **Field of Classification Search** ..... D34/12,  
D34/23, 28, 24, 26; 280/47.13, 47.14, 47.331,  
280/414.1, 204, 47.24, 47.27, 47.28, 47.29,  
280/40, 652; 114/344; 248/129

See application file for complete search history.

(56) **References Cited**

**U.S. PATENT DOCUMENTS**

2,816,771	A *	12/1957	Hunt	.....	280/47.131
3,090,635	A *	5/1963	Masterson, Jr.	.....	280/47.131
D237,786	S *	11/1975	Gilster	.....	D34/24
3,942,813	A *	3/1976	Dombroski	.....	280/47.131
4,602,802	A *	7/1986	Morgan	.....	280/47.331
D310,894	S *	9/1990	Smith	.....	D34/23
D319,131	S *	8/1991	Smeitink	.....	D34/23
D340,337	S *	10/1993	Beasley	.....	D34/23
D340,340	S *	10/1993	Allen	.....	D34/28
D358,920	S *	5/1995	Peterman	.....	D34/24
D408,111	S *	4/1999	Cook	.....	D34/24

D476,129	S *	6/2003	Witt	.....	D34/23
D490,955	S *	6/2004	Halsall	.....	D34/24
D532,575	S *	11/2006	Oberg	.....	D34/28

\* cited by examiner

*Primary Examiner*—Cynthia E. Ramirez

(57) **CLAIM**

The ornamental design for door dolly, as shown and described.

**DESCRIPTION**

FIG. 1 is a perspective view of a door dolly of the present invention;

FIG. 2 is a front elevational view of the invention;

FIG. 3 is a rear elevational view of the invention;

FIG. 4 is a right-side elevational view of the invention;

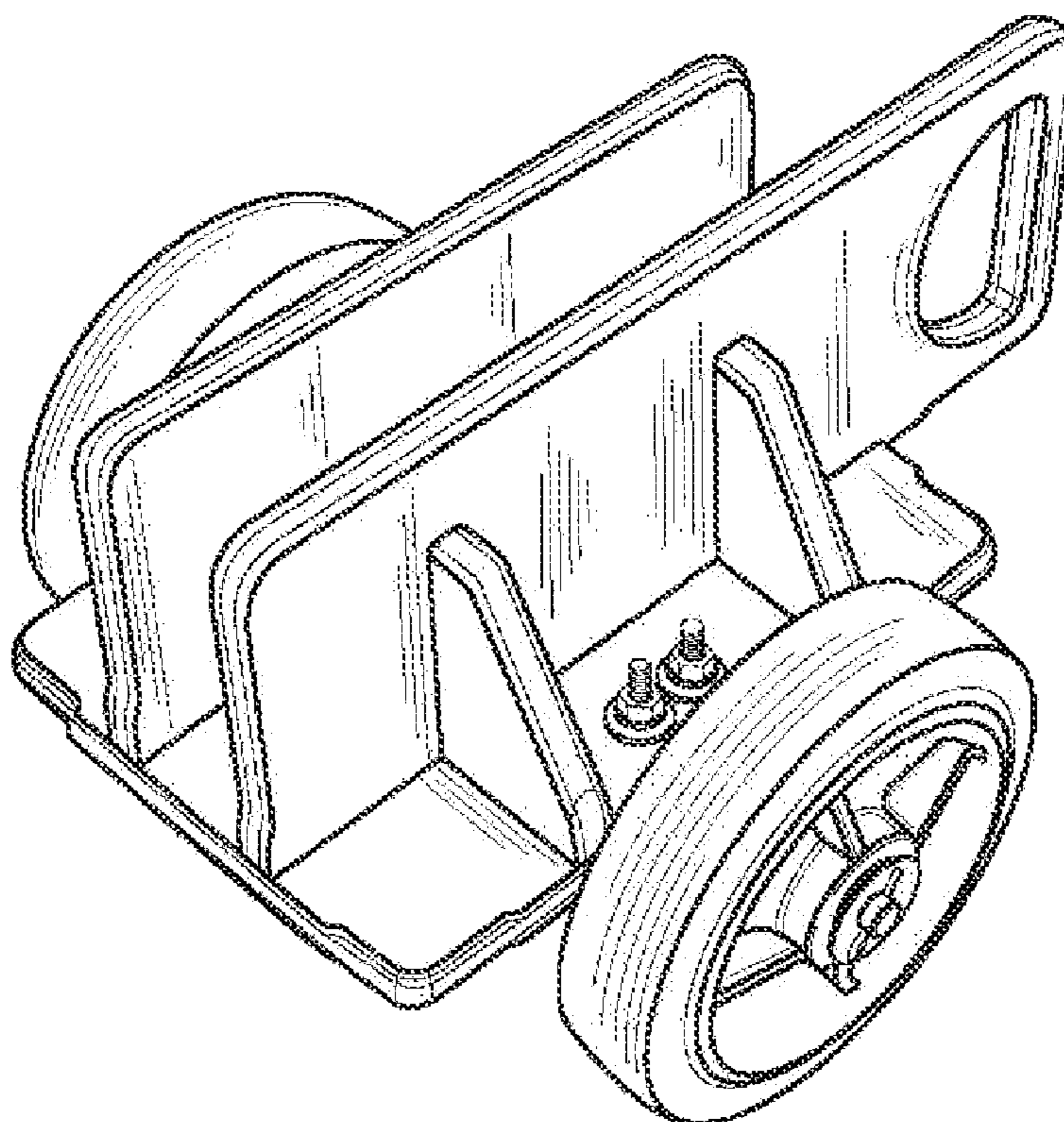
FIG. 5 is a left-side elevational view of the invention;

FIG. 6 is a top plan view of the invention;

FIG. 7 is a bottom plan view of the invention; and,

FIG. 8 is a perspective view of the door dolly of the present invention in use, illustrating a door and a rolling surface in phantom outline, the broken lines showing the door and rolling surface for illustrative purposes only and forming no part of the claimed design.

**1 Claim, 2 Drawing Sheets**



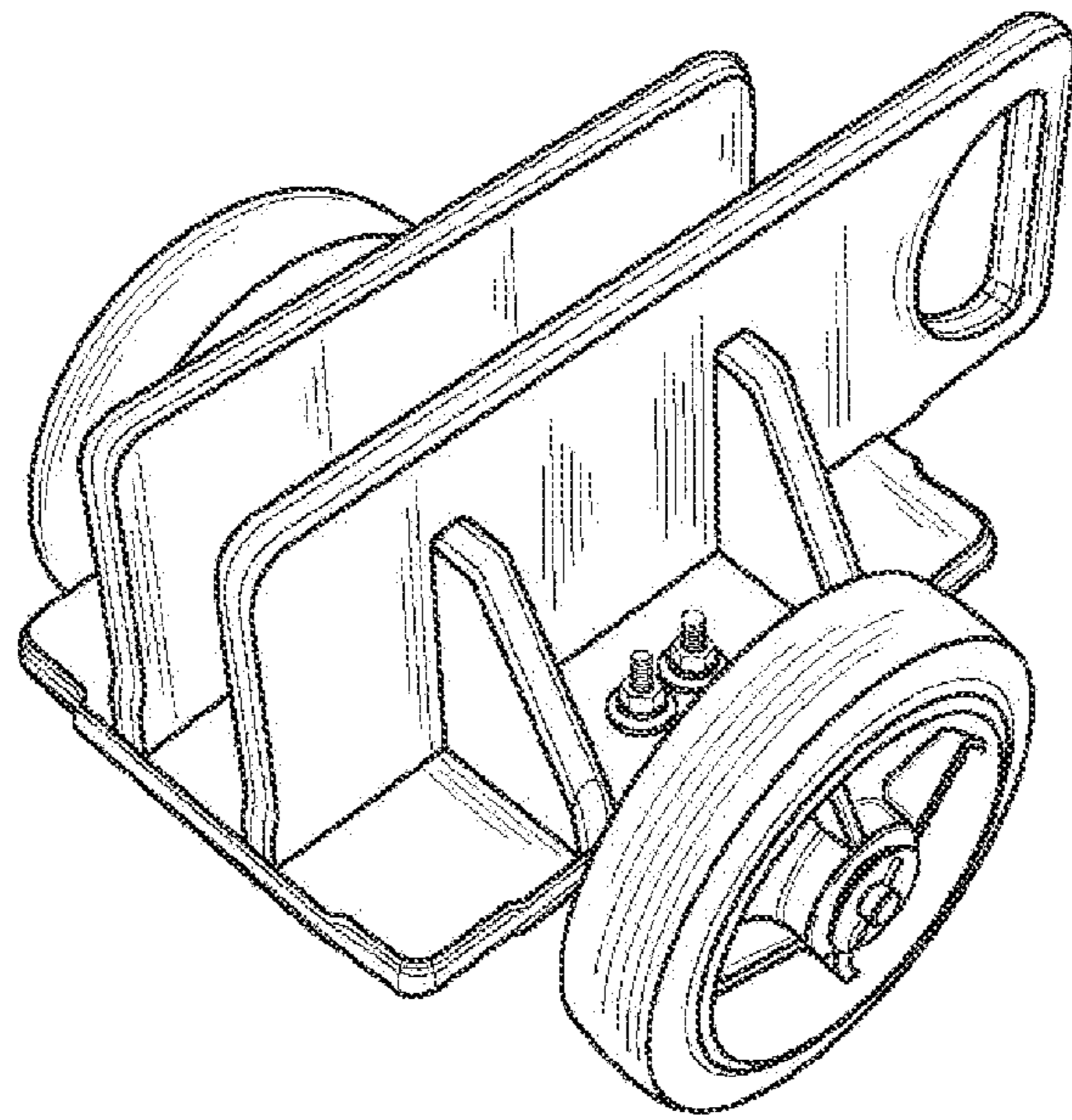


FIG. 1

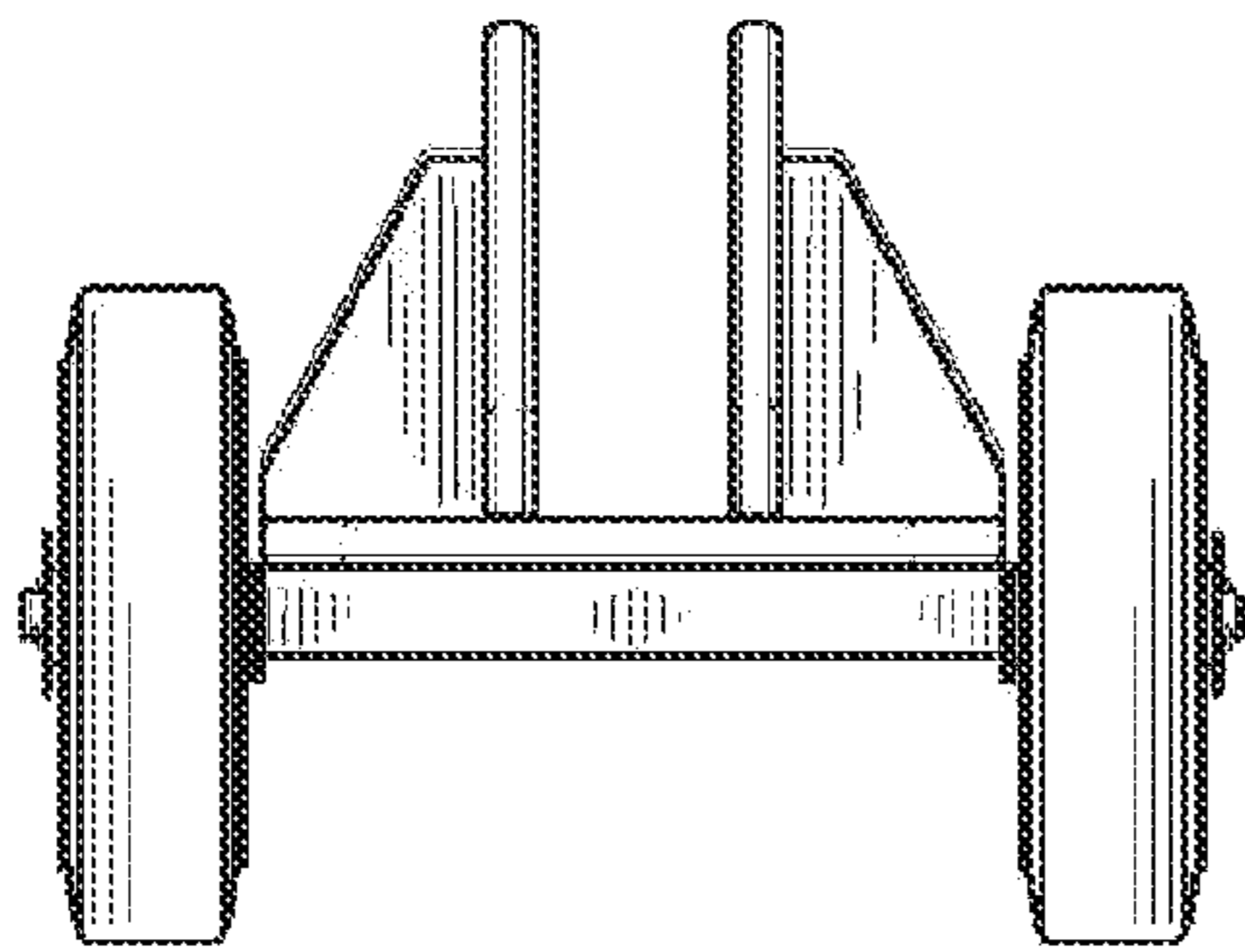


FIG. 2

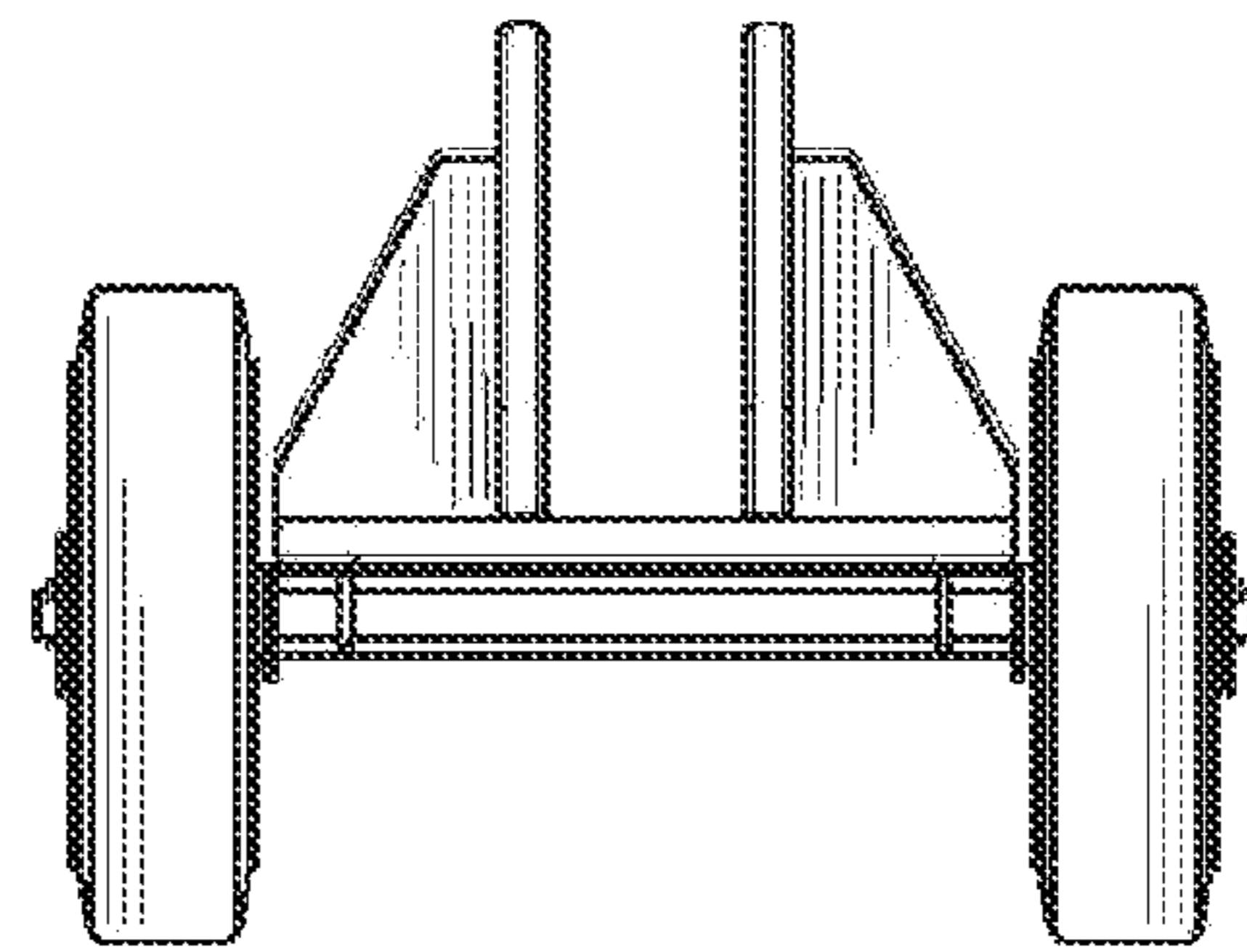


FIG. 3

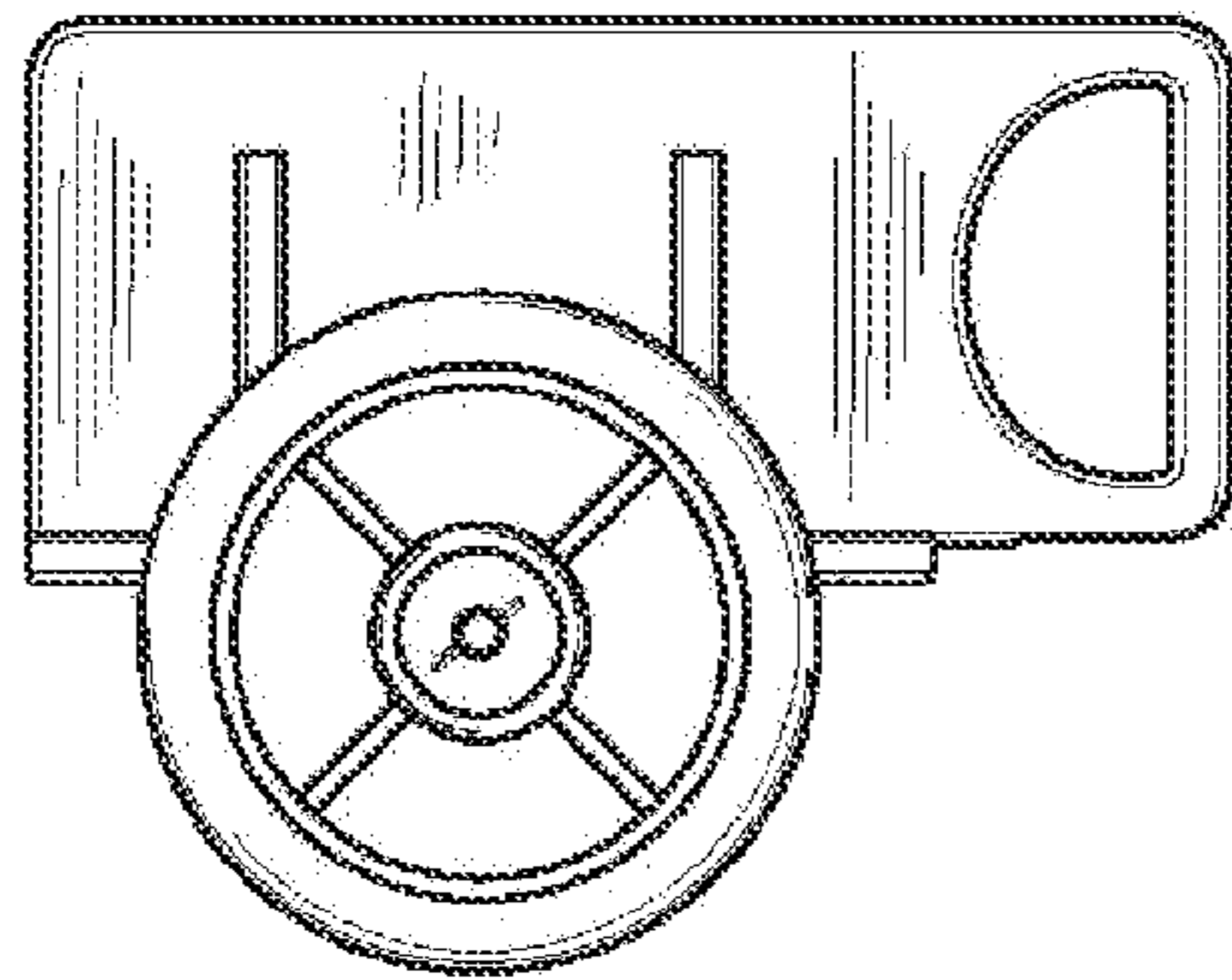


FIG. 4

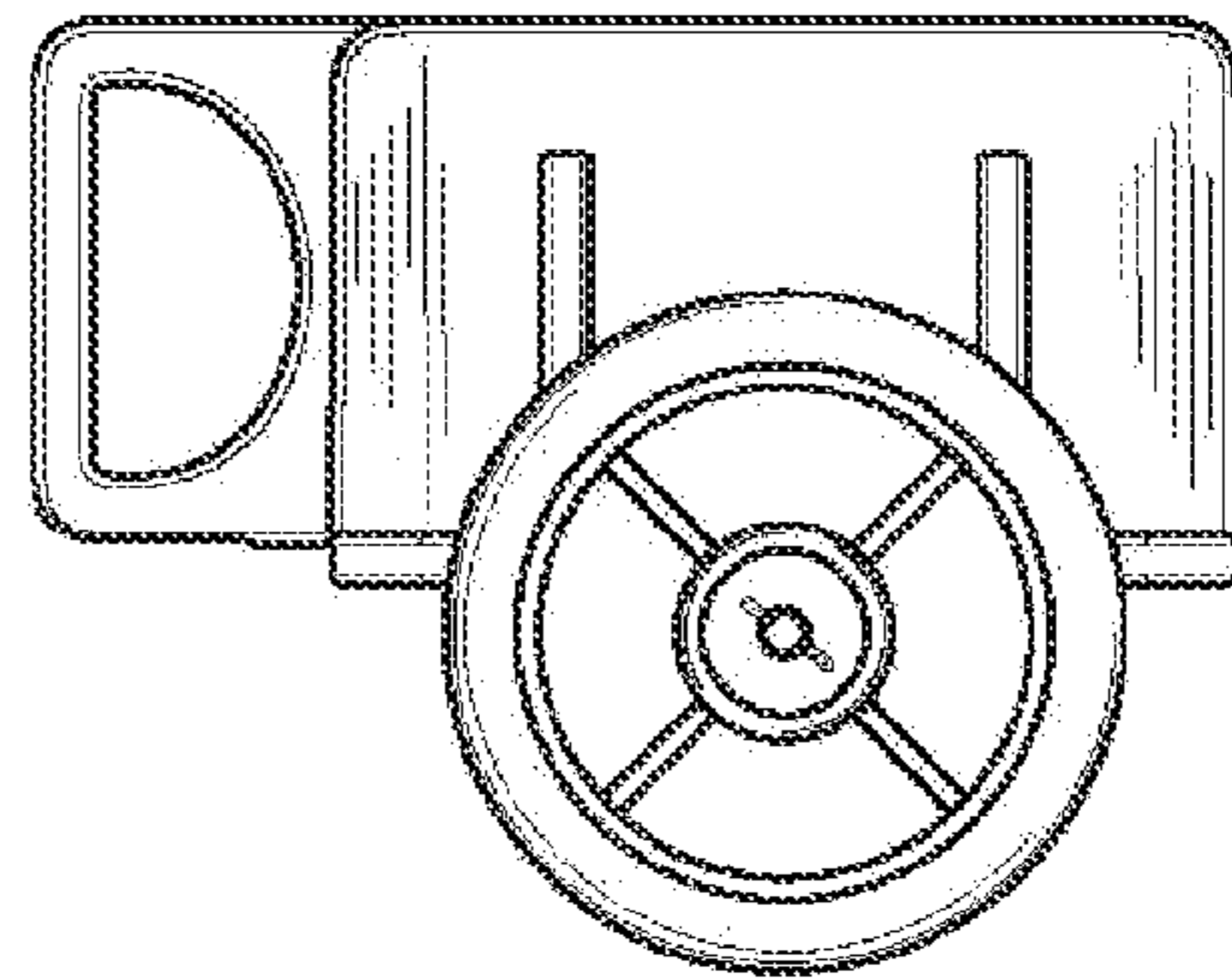


FIG. 5

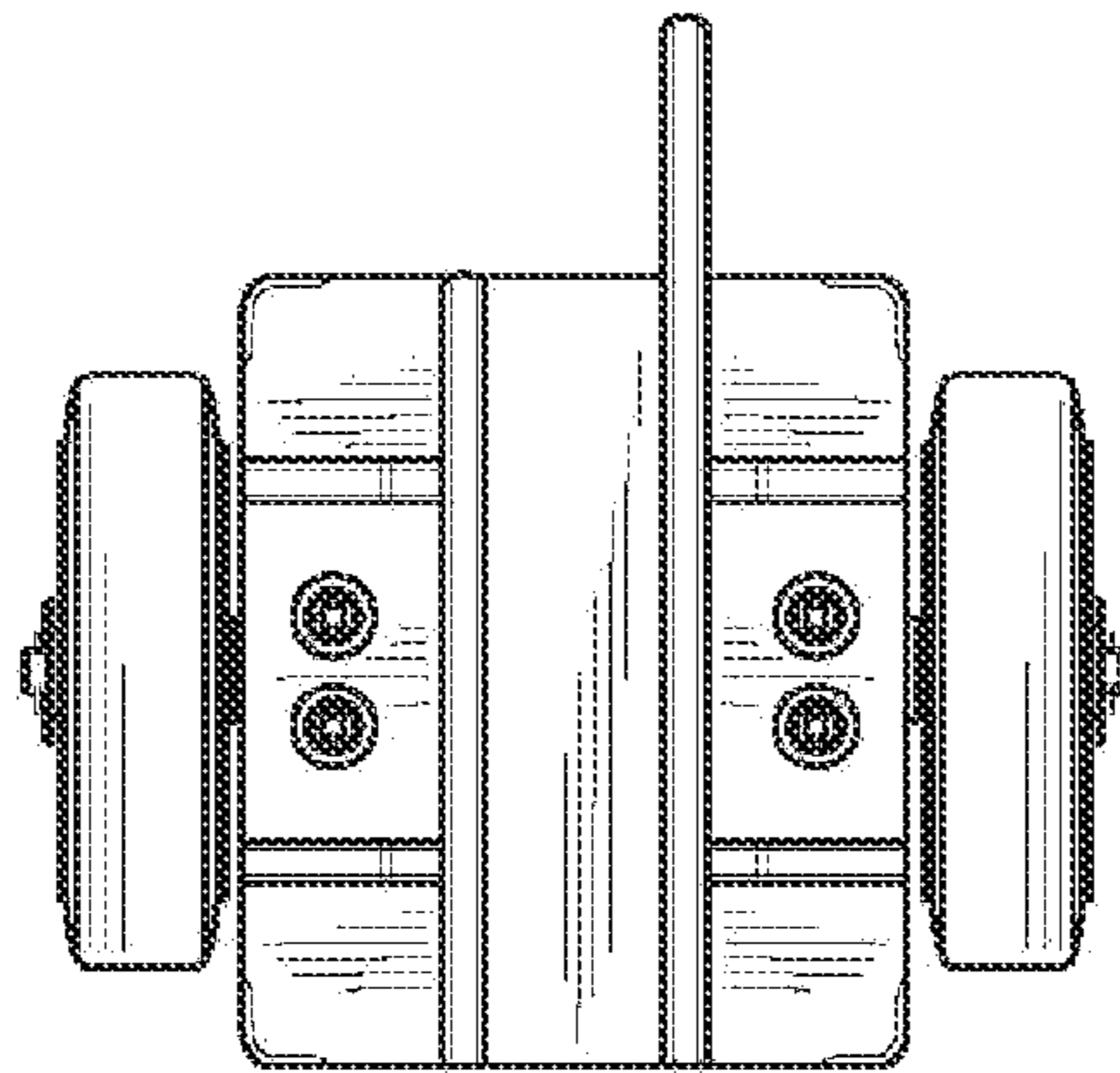


FIG. 6

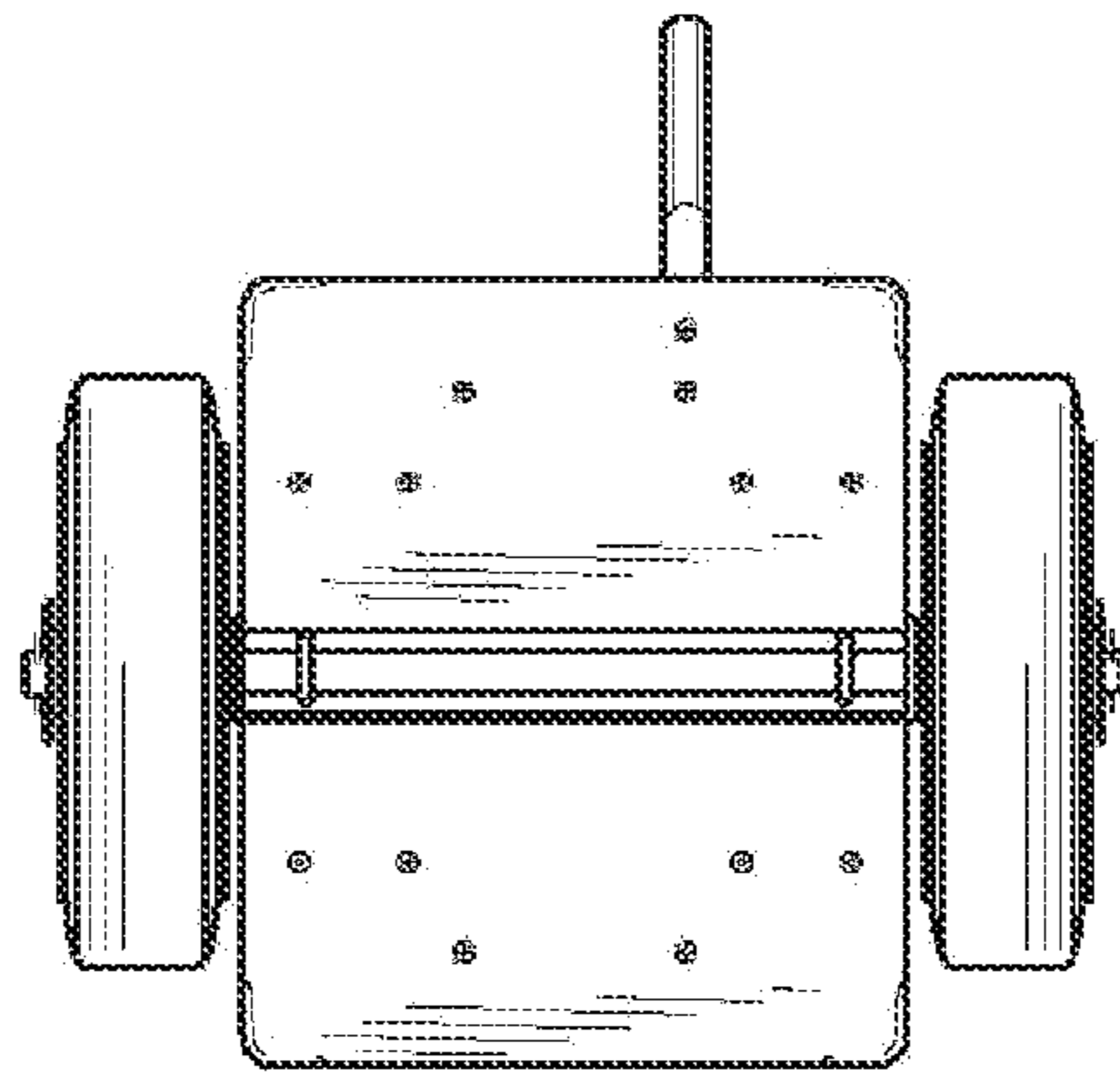


FIG. 7

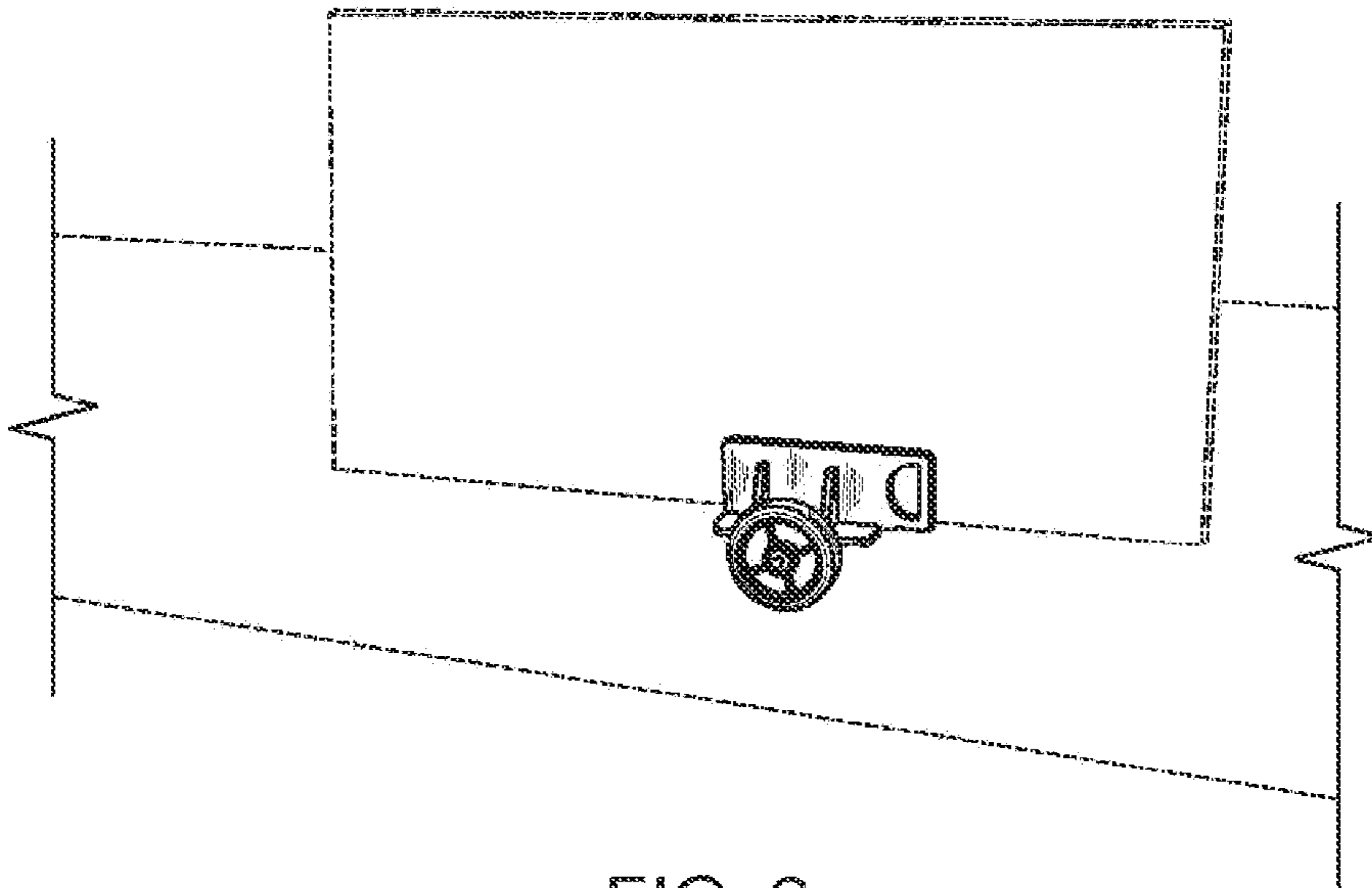


FIG. 8