



US00D550919S

(12) **United States Design Patent**
Tuncel

(10) **Patent No.:** **US D550,919 S**

(45) **Date of Patent:** **** Sep. 11, 2007**

(54) **BELLMAN'S DREAM CART**

D329,727 S	9/1992	DeWitt	
5,190,305 A *	3/1993	Putman 280/79.3
D341,689 S	11/1993	Putman et al.	
D341,690 S	11/1993	Putman et al.	
D518,269 S *	3/2006	Henshaw et al. D34/38

(75) Inventor: **Levent Tuncel**, Atlanta, GA (US)

(73) Assignee: **Levent Incorporated**, Atlanta, GA (US)

(**) Term: **14 Years**

* cited by examiner

(21) Appl. No.: **29/248,729**

Primary Examiner—Cynthia E. Ramirez
(74) *Attorney, Agent, or Firm*—George Ronald Reardon

(22) Filed: **Aug. 30, 2006**

(57) **CLAIM**

(51) **LOC (8) Cl.** **12-02**

(52) **U.S. Cl.** **D34/17**

(58) **Field of Classification Search** D34/12-27;
D6/475, 410, 462, 464, 465; 211/204, 49.1;
280/79.3, 79.11, 79.2

The ornamental design for a bellman's dream cart, as shown and described.

See application file for complete search history.

DESCRIPTION

(56) **References Cited**

A portable cart used for transporting luggage and the like. FIG. 1 is a perspective view of a bellman's dream cart showing my new design.

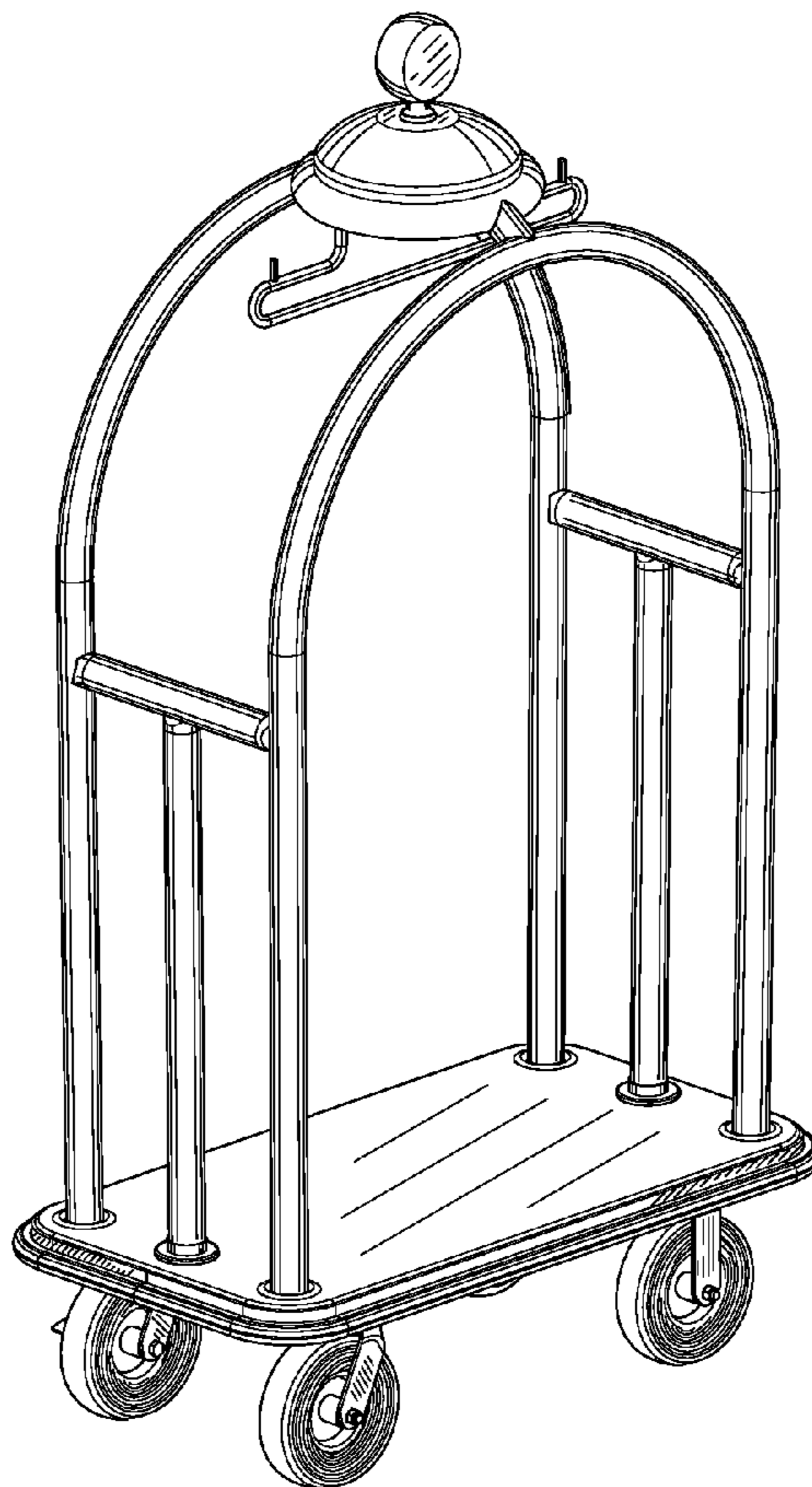
U.S. PATENT DOCUMENTS

1,832,271 A	11/1931	Williams
D121,804 S	8/1940	Castgelli et al.
D239,094 S	3/1976	Duffy
D294,760 S	3/1988	Vanderdoes, Sr.
D323,049 S	1/1992	DeWitt
D324,283 S	2/1992	DeWitt

FIG. 2 is a side plan view of a bellman's dream cart device. FIG. 3 is a front plan view of a bellman's dream cart device; and,

FIG. 4 is a top plan view of a bellman's dream cart device.

1 Claim, 4 Drawing Sheets



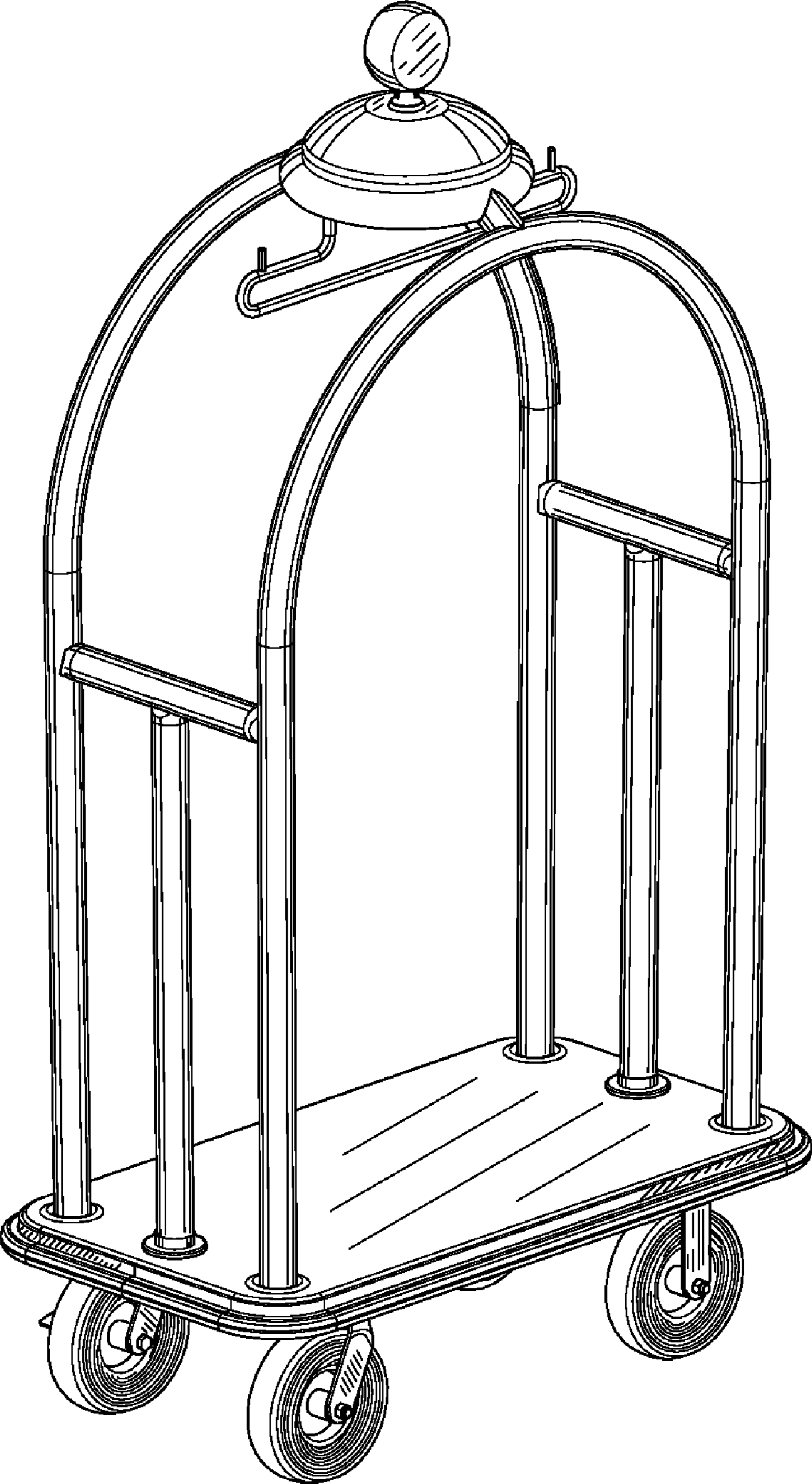


FIG. 1



FIG. 2

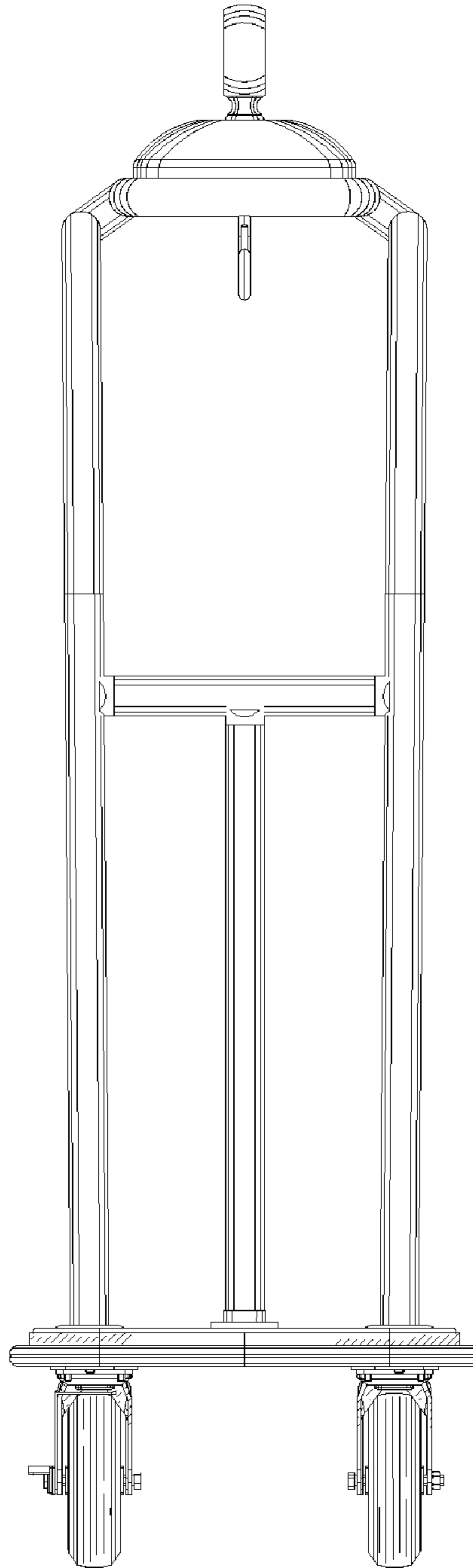


FIG. 3

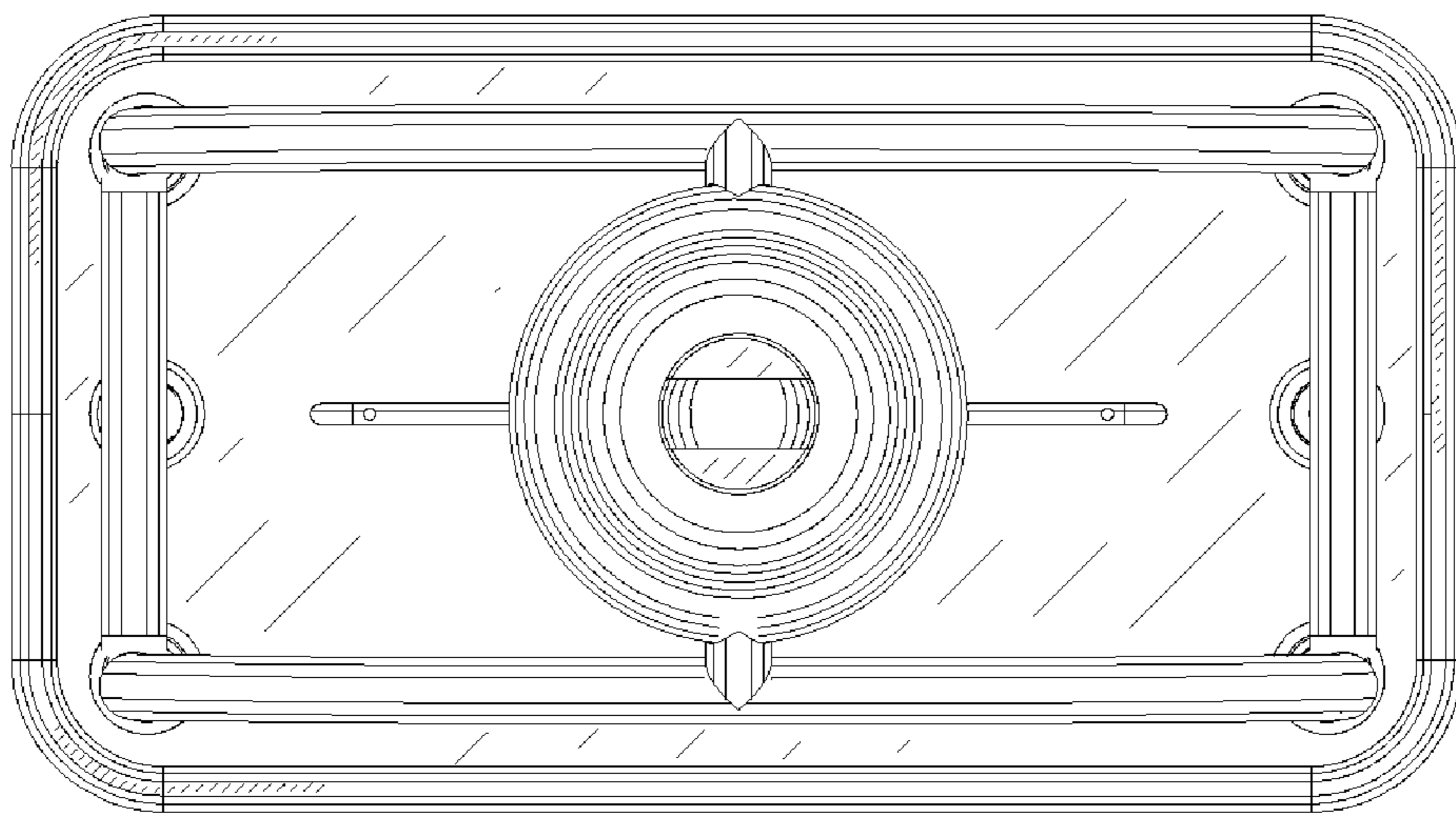


FIG. 4