



US00D550915S

(12) **United States Design Patent**
Poon

(10) **Patent No.:** **US D550,915 S**

(45) **Date of Patent:** **** Sep. 11, 2007**

(54) **STEAM IRON**

D485,035 S * 1/2004 Schupp D32/70
D488,275 S * 4/2004 Gudefin D32/70

(75) Inventor: **Ching Ching Kelvin Poon**, New Territories (HK)

* cited by examiner

(73) Assignee: **Tunbow Electrical Limited**, Kowloon (HK)

Primary Examiner—Pamela J. Burgess
(74) *Attorney, Agent, or Firm*—McDermott Will & Emery LLP

(**) Term: **14 Years**

(57) **CLAIM**

(21) Appl. No.: **29/267,508**

The ornamental design for a steam iron, as shown and described.

(22) Filed: **Oct. 17, 2006**

(51) **LOC (8) Cl.** **07-05**

(52) **U.S. Cl.** **D32/70**

(58) **Field of Classification Search** D32/68-72;
38/74-75, 77.1-77.9, 88, 90, 93; 219/245-248,
219/252

See application file for complete search history.

DESCRIPTION

FIG. 1 is a front view of the steam iron showing the new design;

FIG. 2 is a rear view of the steam iron;

FIG. 3 is a top view of the steam iron;

FIG. 4 is a bottom view of the steam iron.

FIG. 5 is a side view of the steam iron;

FIG. 6 is another side view of the steam iron; and,

FIG. 7 is a front perspective view of the steam iron.

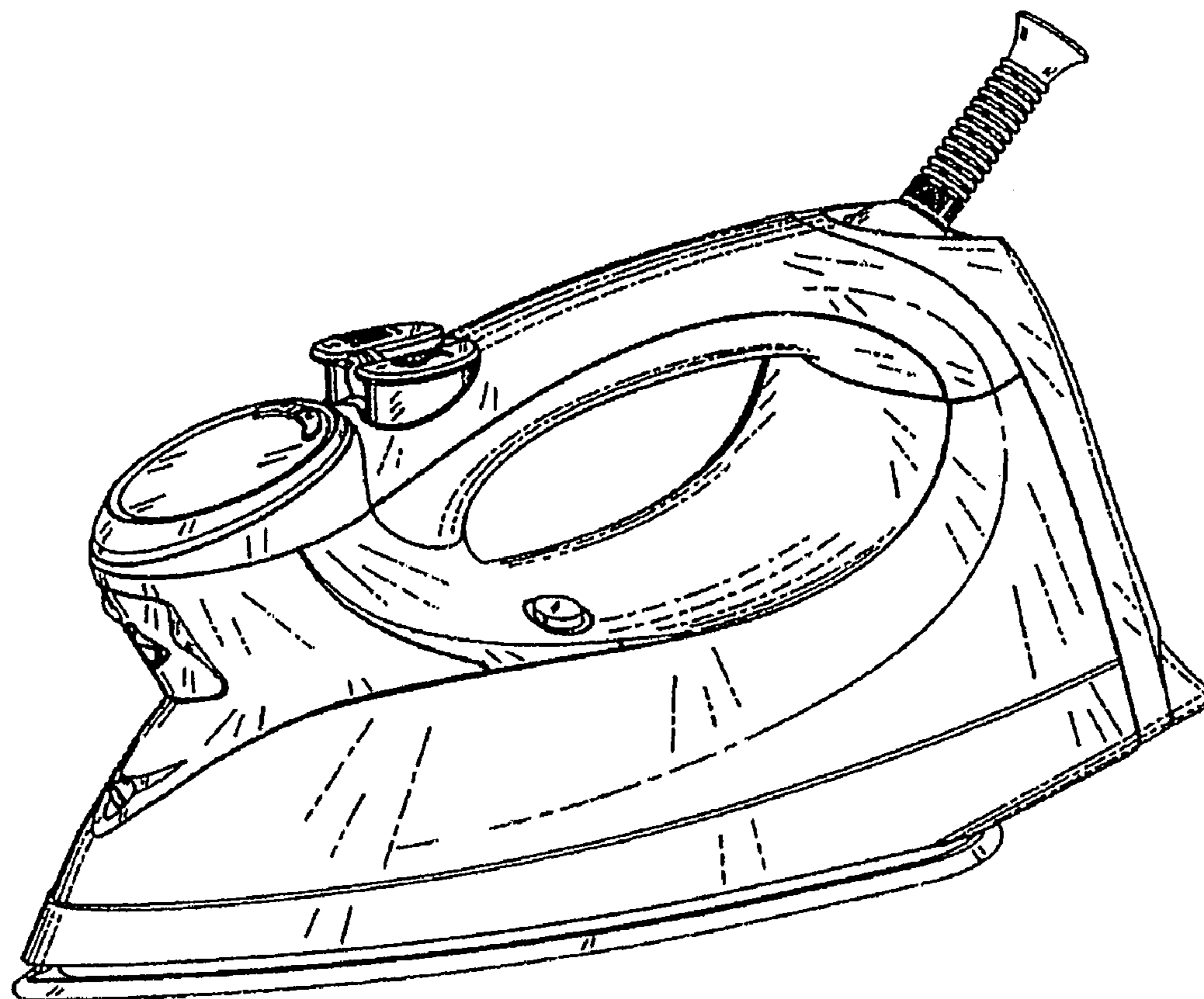
The broken lines shown in the drawings are for illustrative purposes only and form no part of the claimed design.

(56) **References Cited**

U.S. PATENT DOCUMENTS

2,398,579	A	*	4/1946	Clark et al.	38/90
D315,433	S	*	3/1991	Chen	D32/68
D402,779	S	*	12/1998	Gudefin	D32/70
D459,562	S	*	6/2002	Page et al.	D32/70
D468,070	S	*	12/2002	Fujita et al.	D32/70

1 Claim, 7 Drawing Sheets



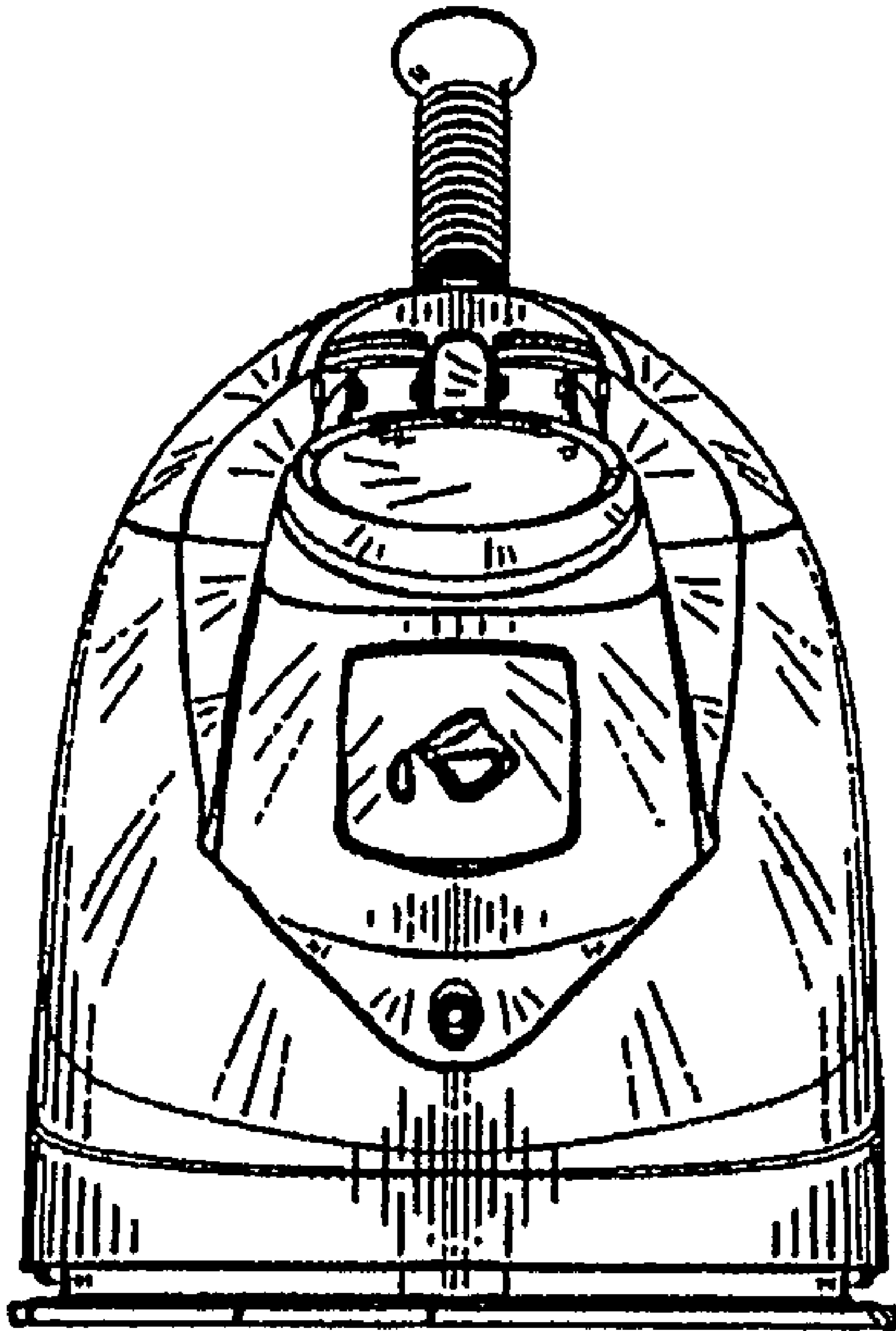


FIG. 1

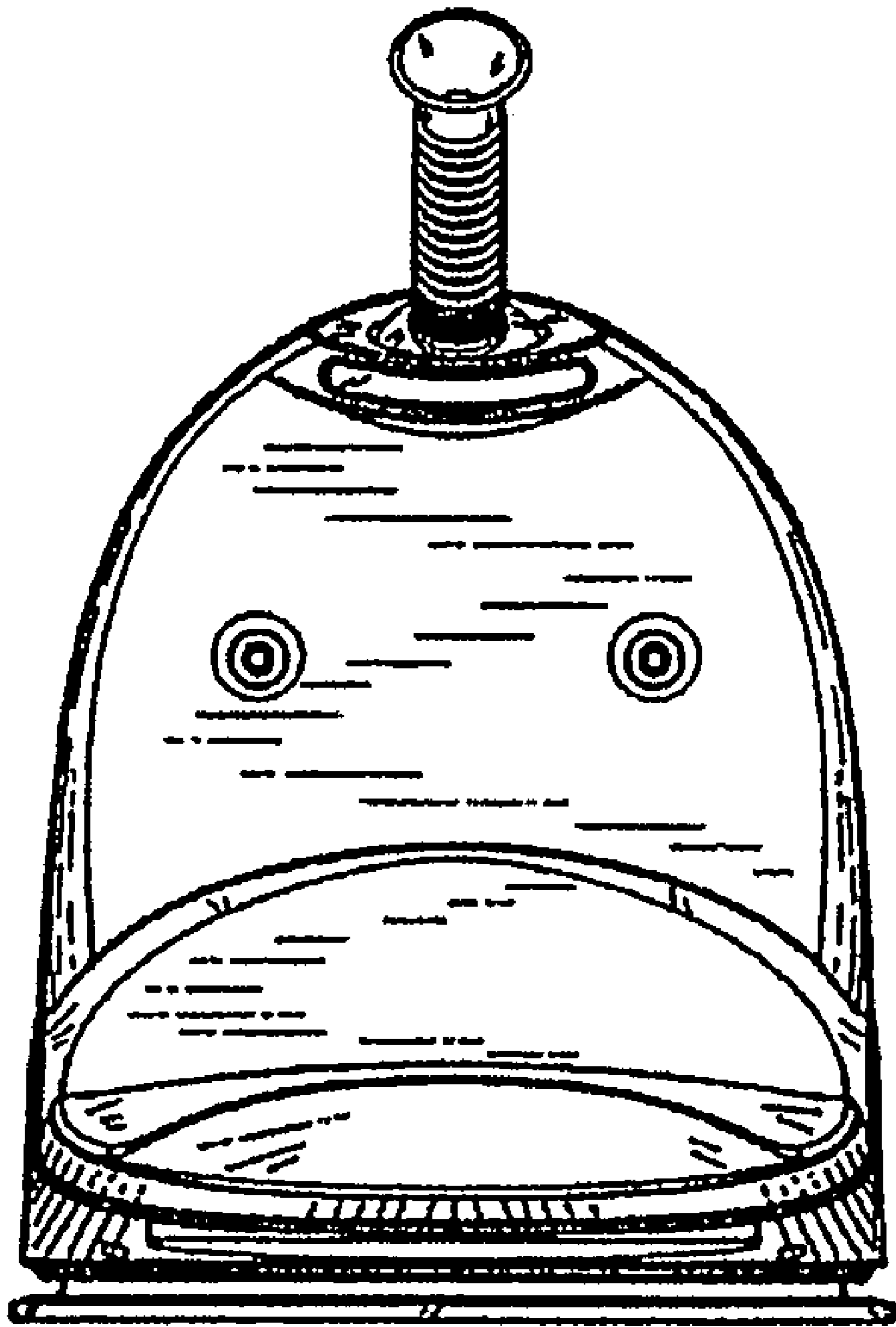


FIG. 2

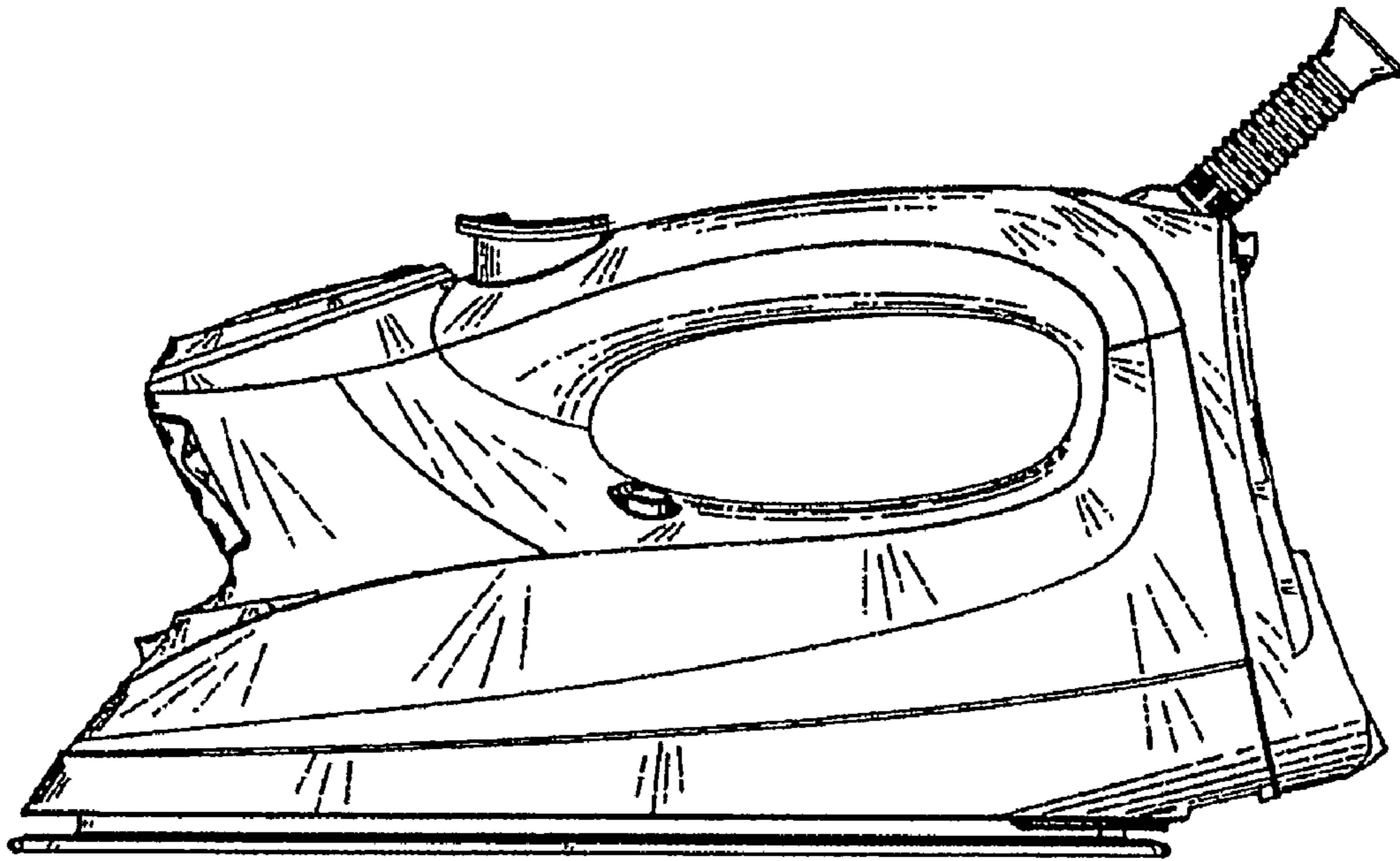


FIG. 3

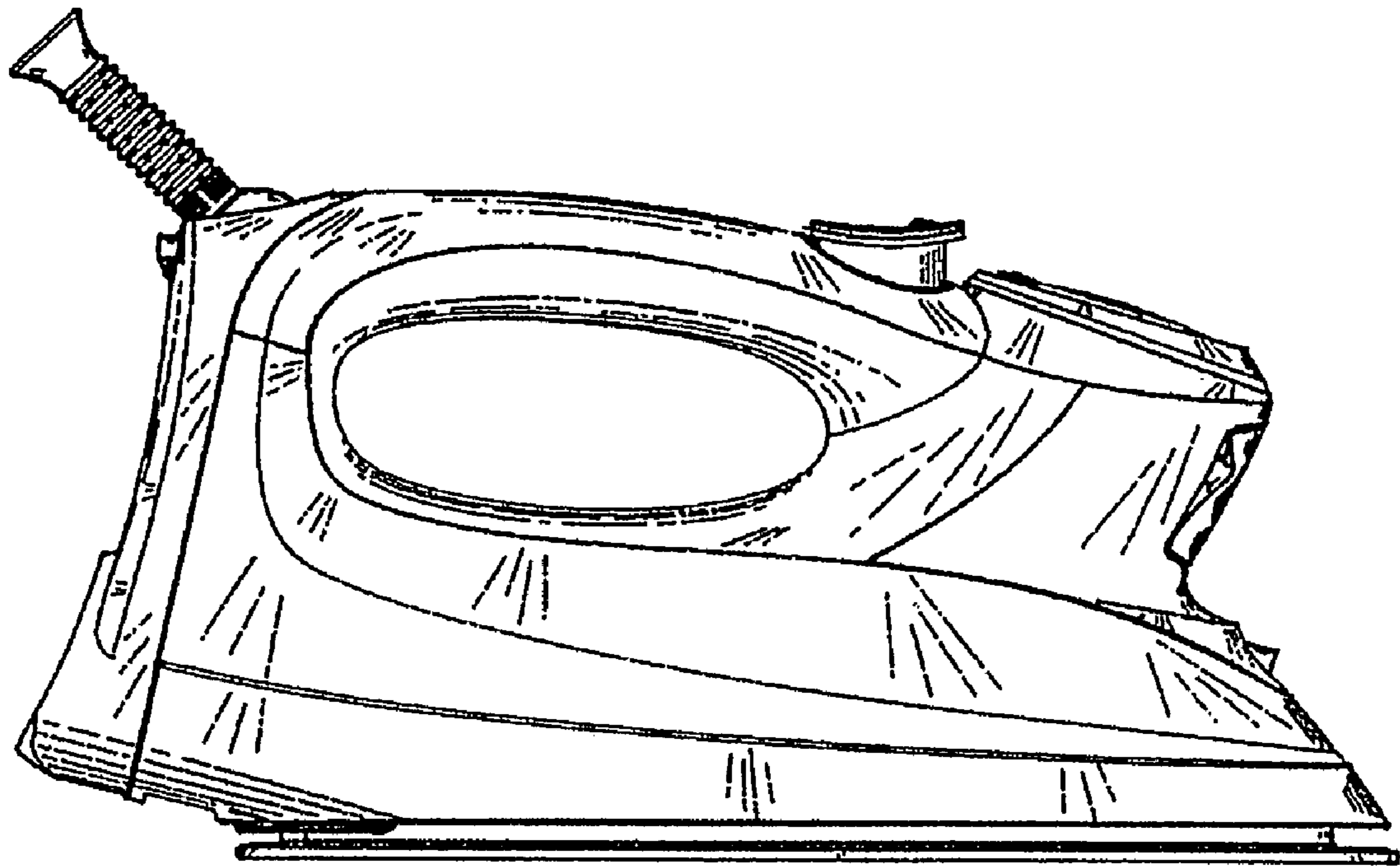


FIG. 4

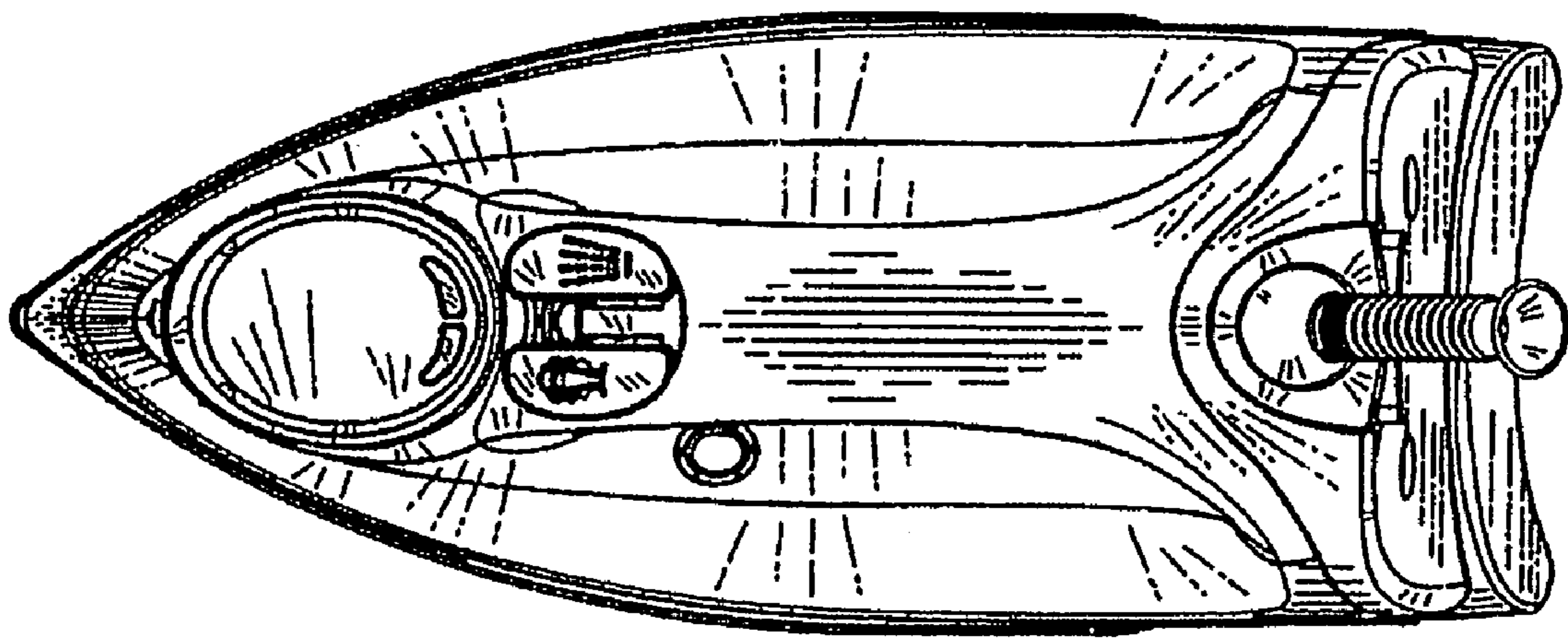


FIG. 5

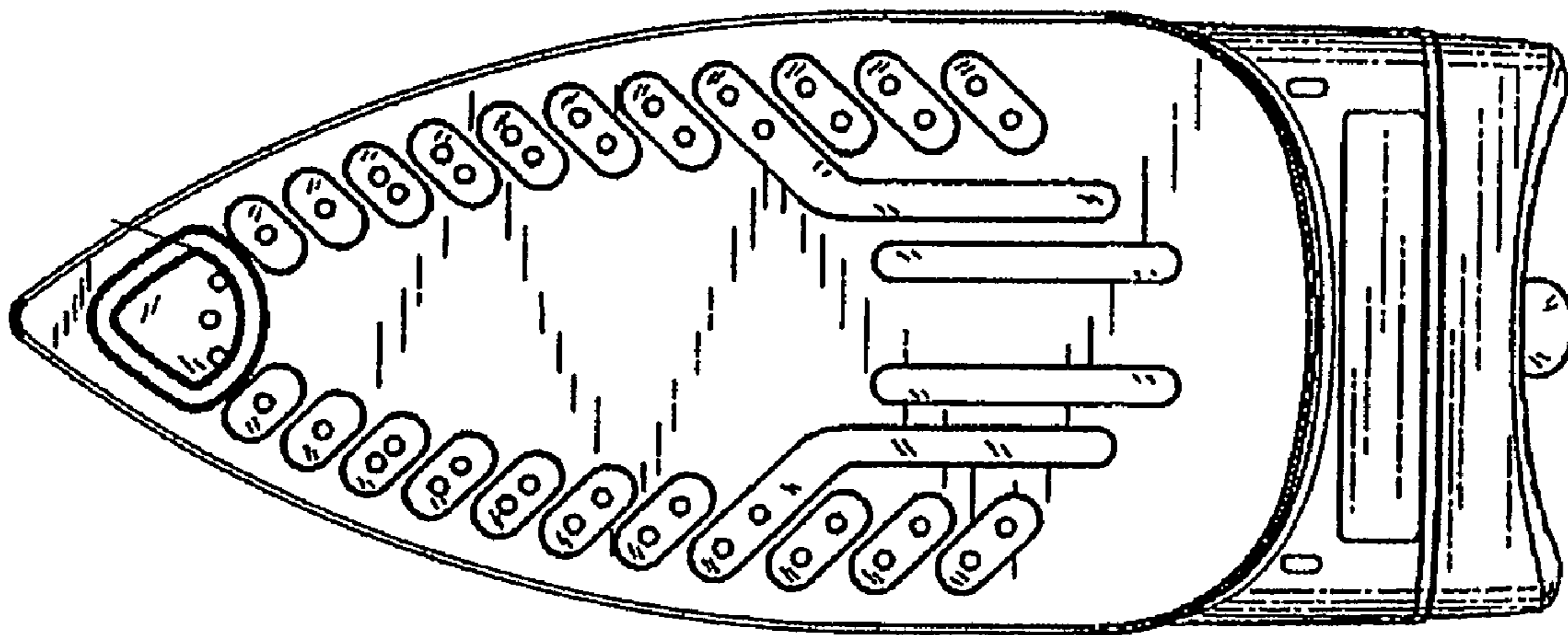


FIG. 6

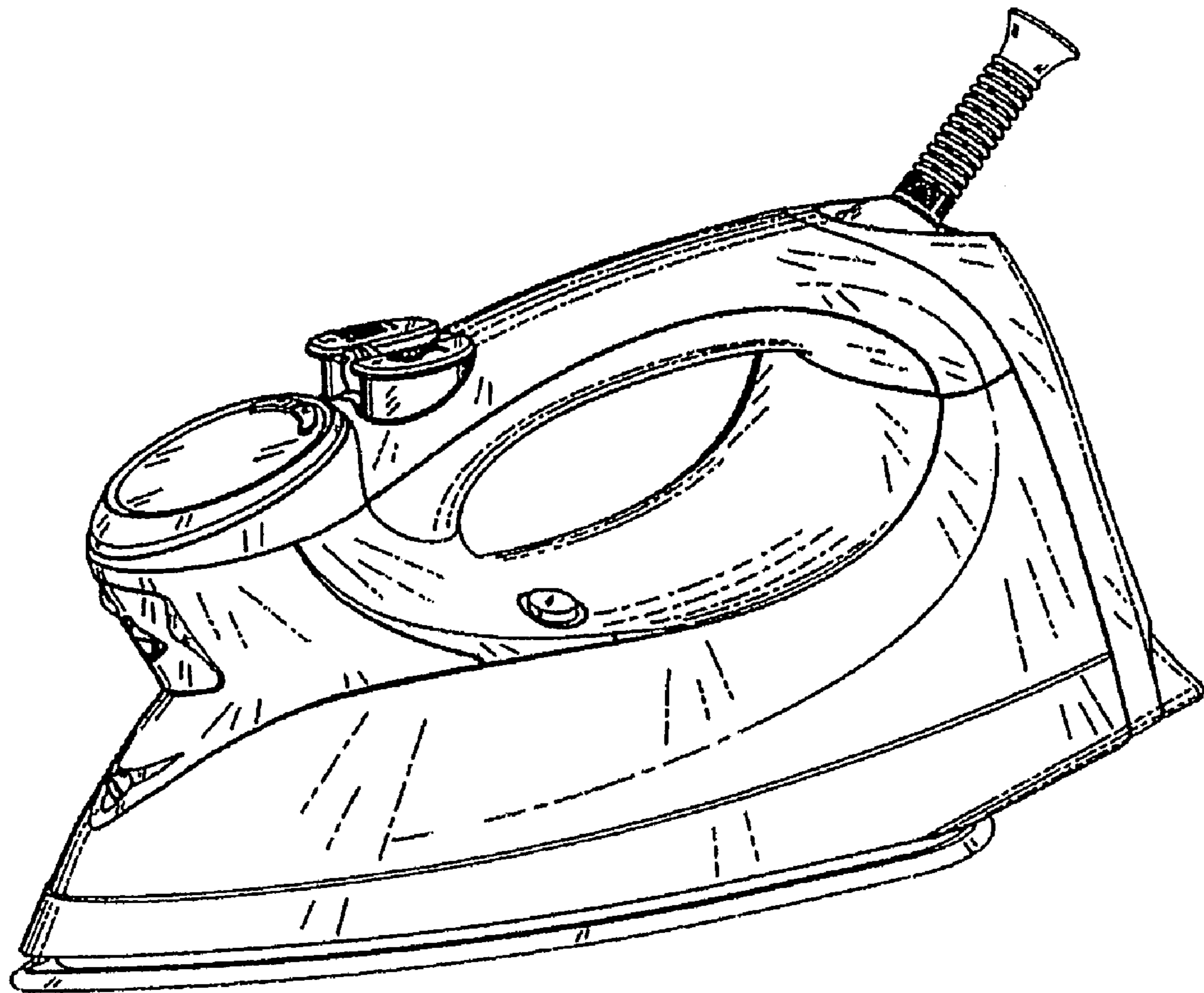


FIG. 7