



US00D550912S

(12) **United States Design Patent**
Kempske

(10) **Patent No.:** **US D550,912 S**

(45) **Date of Patent:** **** Sep. 11, 2007**

(54) **LAUNDRY BASKET**

D466,301 S * 12/2002 Sofy D3/307
D477,145 S * 7/2003 Sofy et al. D3/307

(75) Inventor: **Kevin Kempke**, 4 Helm Ct., Towson,
MD (US) 21286

* cited by examiner

(73) Assignee: **Kevin Kempke**, Towson, MD (US)

Primary Examiner—Pamela J. Burgess

(74) *Attorney, Agent, or Firm*—Ober/Kaler; Royal W. Craig

(**) Term: **14 Years**

(57) **CLAIM**

(21) Appl. No.: **29/267,255**

The ornamental design for a laundry basket, as shown and described.

(22) Filed: **Oct. 10, 2006**

(51) **LOC (8) Cl.** **07-07**

(52) **U.S. Cl.** **D32/37**

(58) **Field of Classification Search** D32/57;
D3/304–305, 307–309, 312, 314; 220/607,
220/676, 770, 780–783, 913, 908–909; 232/1 B
See application file for complete search history.

DESCRIPTION

FIG. 1 is a front perspective view of a laundry basket according to my new design.

FIG. 2 is a front perspective view thereof, with the clean/dirty indicator shown broken away and enlarged for clarity of disclosure;

FIG. 3 is a side view of the laundry basket as in FIGS. 1–2.

FIG. 4 is a front view of the laundry basket as in FIGS. 1–3.

FIG. 5 is a top view of the laundry basket as in FIGS. 1–4; and,

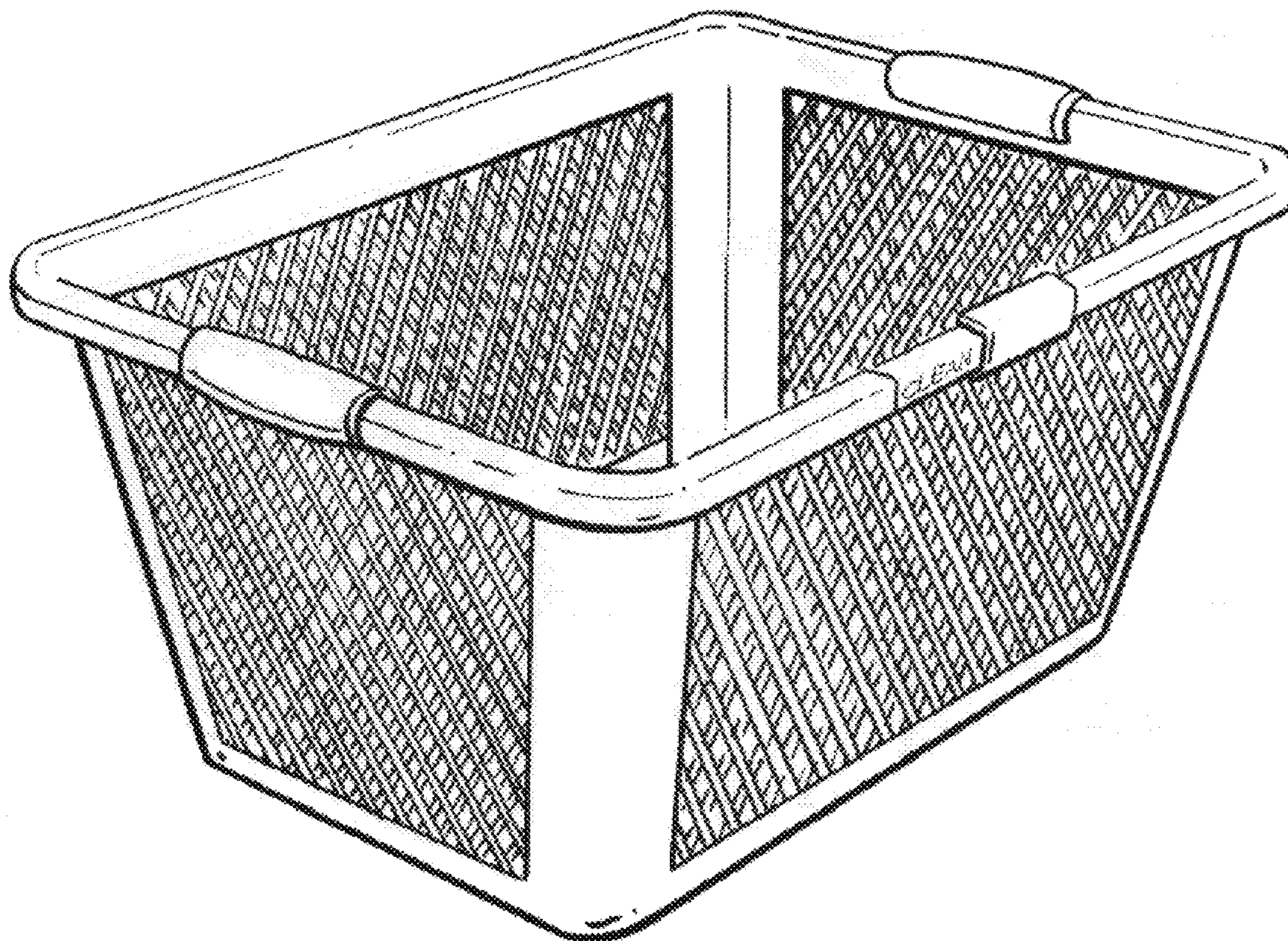
FIG. 6 is a bottom view of the laundry basket as in FIGS. 1–5.

(56) **References Cited**

U.S. PATENT DOCUMENTS

- D326,550 S * 5/1992 Waterman D3/304
- D351,266 S * 10/1994 Licari D32/37
- D372,568 S * 8/1996 Lippisch D32/37
- D401,065 S * 11/1998 Peltola D3/304
- D425,275 S * 5/2000 Delouvre et al. D32/37
- D433,548 S * 11/2000 Baines et al. D32/37

1 Claim, 4 Drawing Sheets



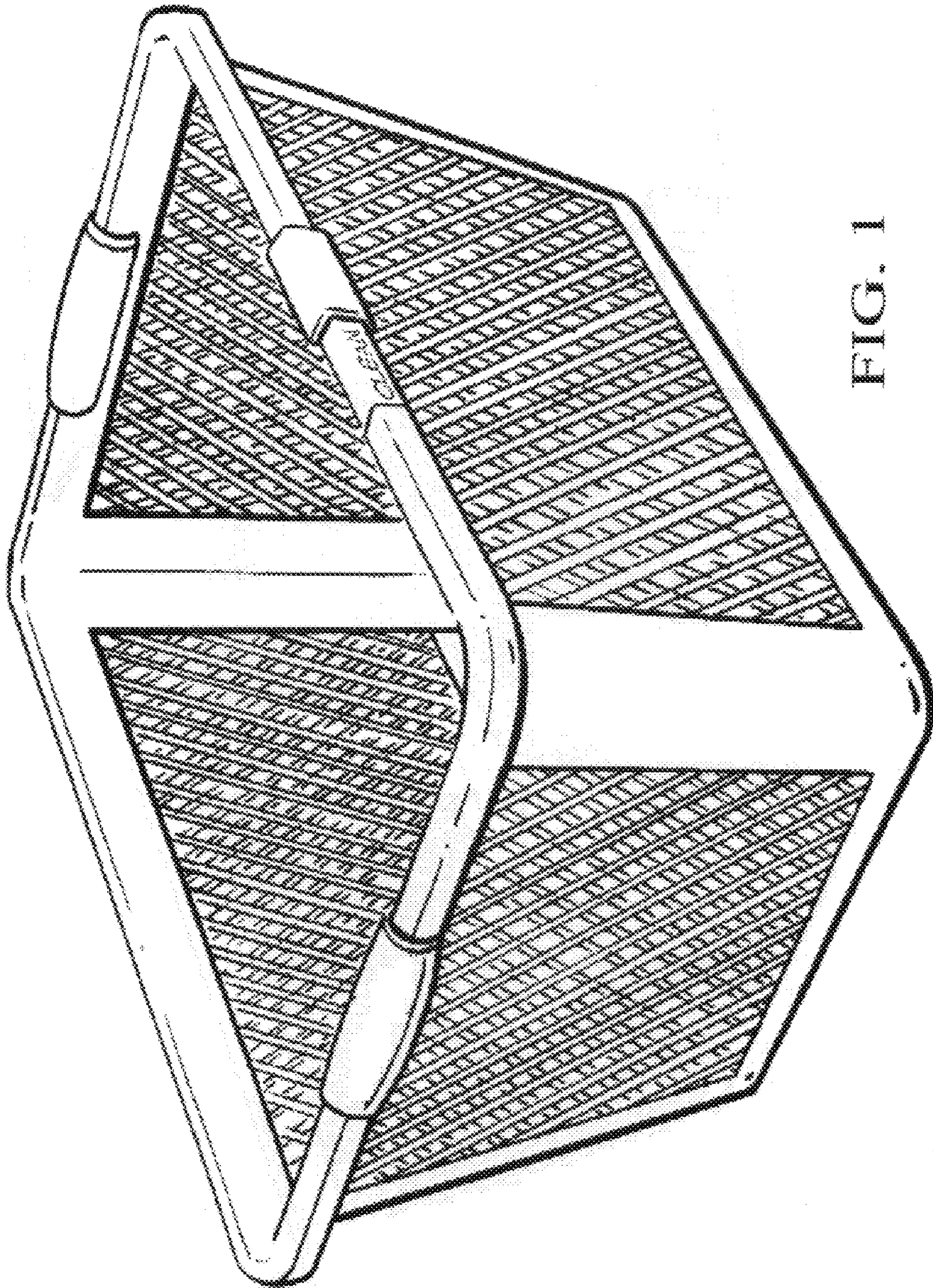


FIG. 1

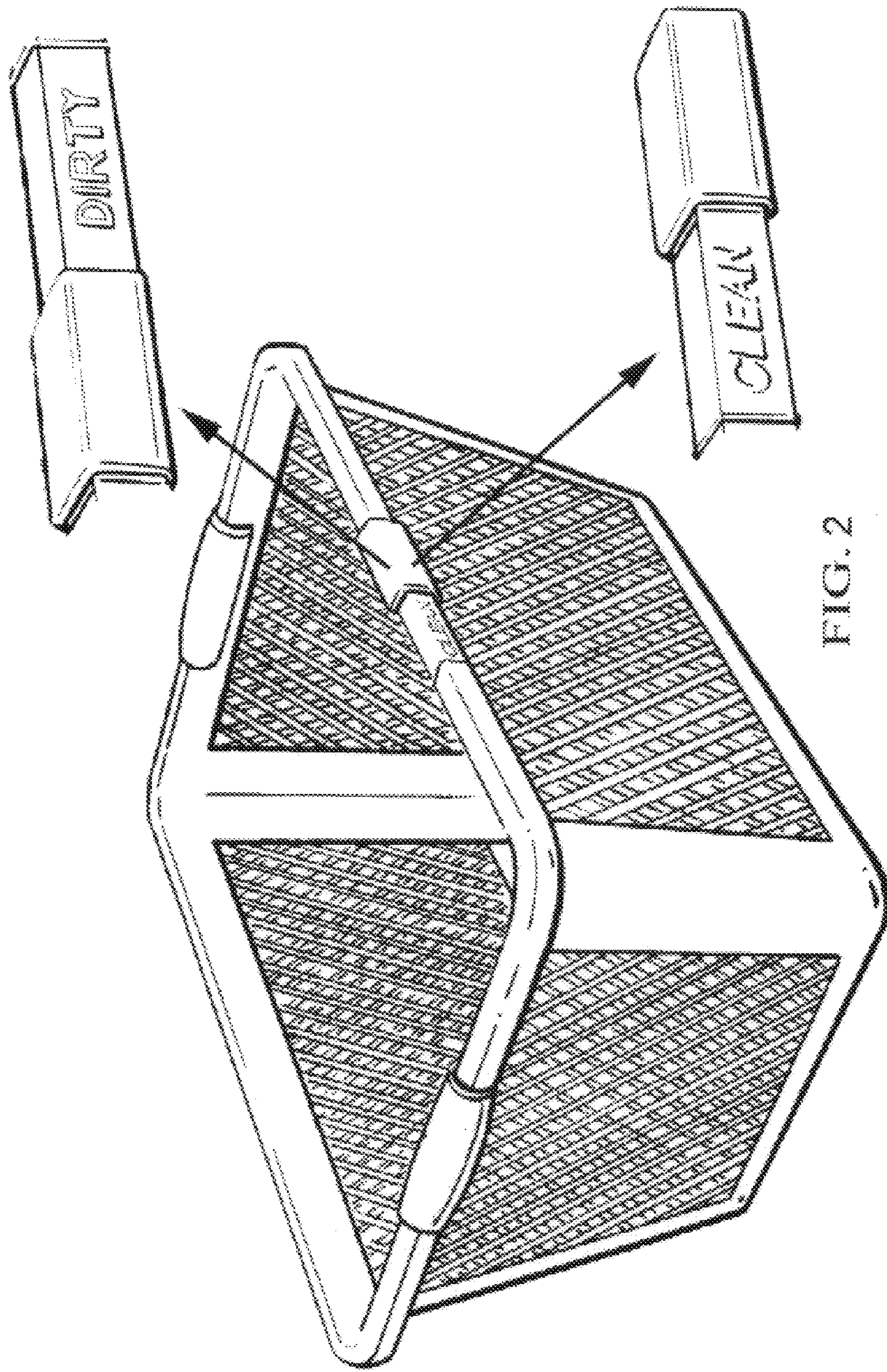


FIG. 2

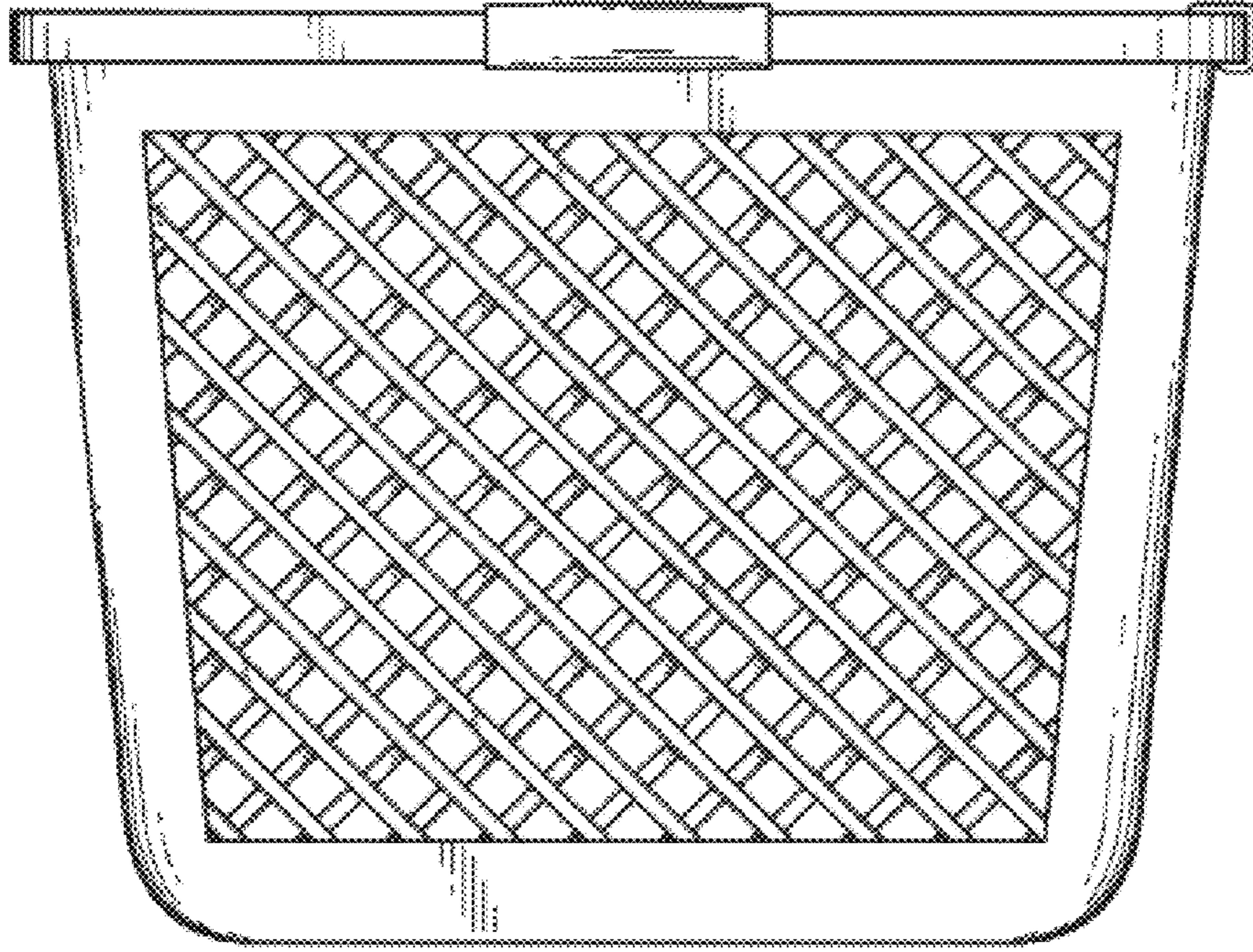


Fig. 3

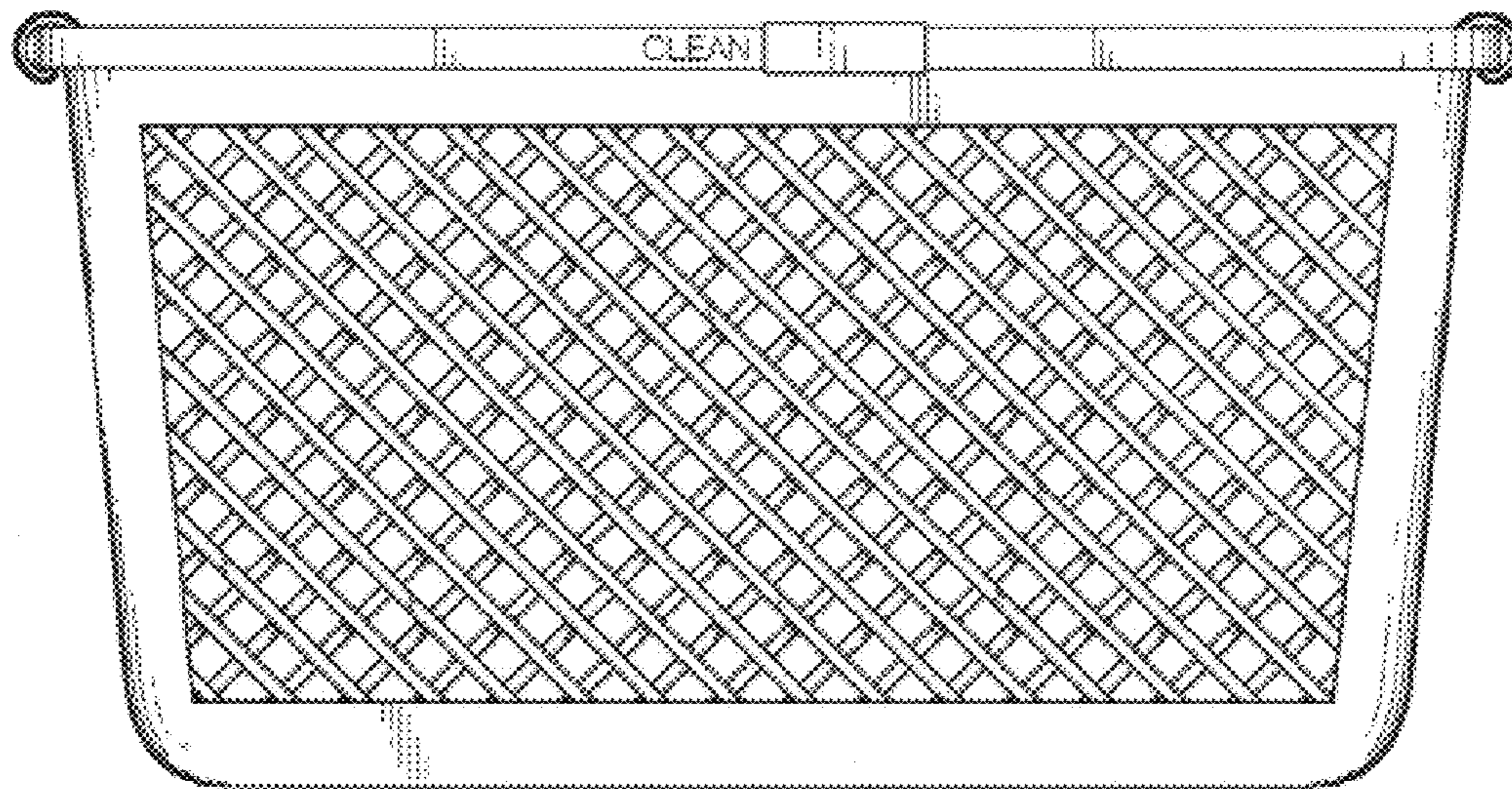


FIG. 4

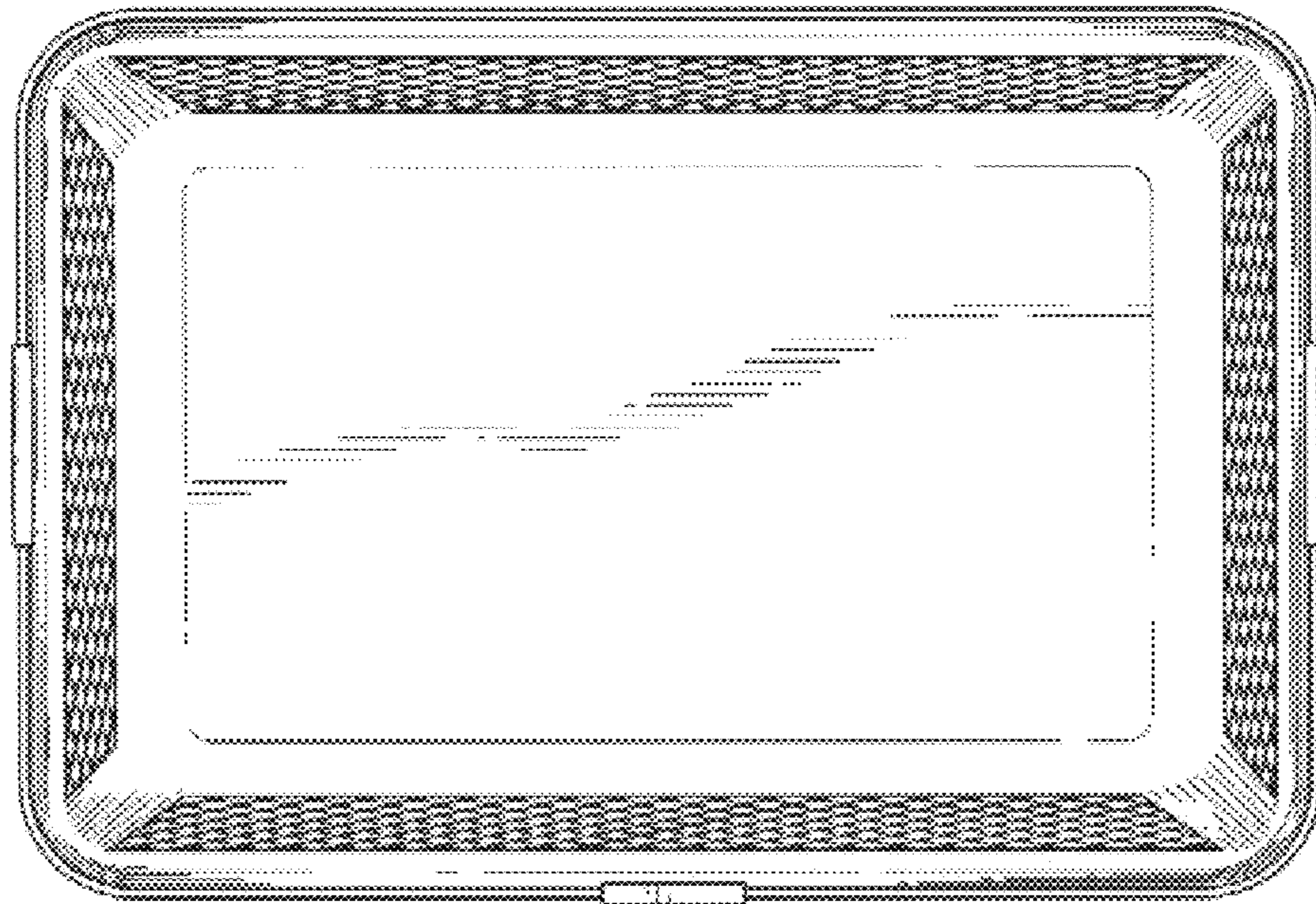


FIG. 6

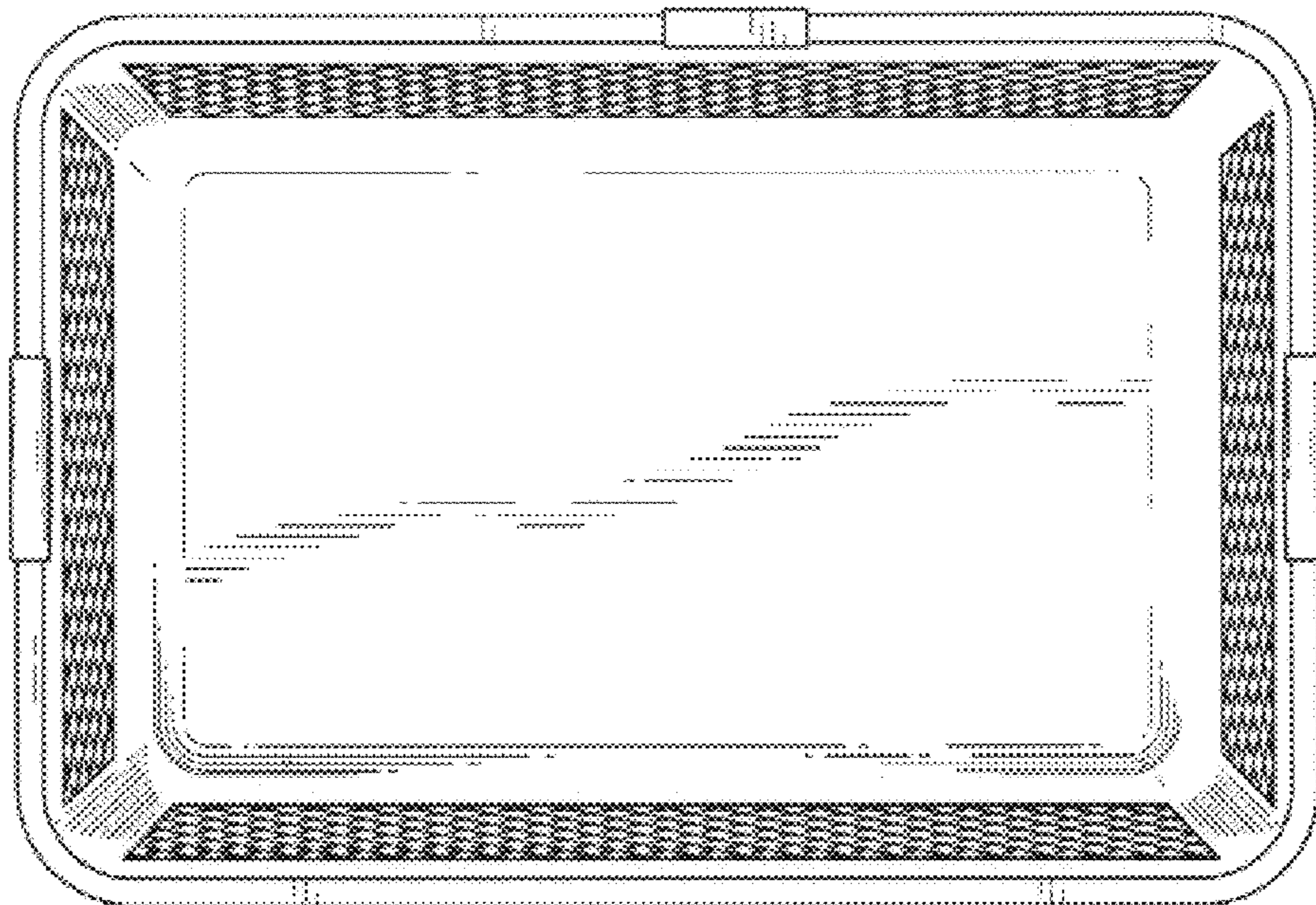


FIG. 5