



US00D550909S

(12) **United States Design Patent**  
**Shin**

(10) **Patent No.:** **US D550,909 S**

(45) **Date of Patent:** **\*\* Sep. 11, 2007**

(54) **BODY FOR VACUUM CLEANER**

D533,693 S \* 12/2006 Lee ..... D32/21

(75) Inventor: **Gwan-Woo Shin**, Seoul (KR)

**OTHER PUBLICATIONS**

(73) Assignee: **Samsung Electronics Co., Ltd.**,  
Kyunggi-do (KR)

U.S. Appl. No. 29/262,217, Applicant: Gwan-Woo Shin filed Jun. 28, 2006 entitled Body for Vacuum Cleaner.

U.S. Appl. No. 29/262,220, Applicant: Gwan-Woo Shin filed Jun. 28, 2006 entitled Body for Vacuum Cleaner.

(\*\*) Term: **14 Years**

\* cited by examiner

(21) Appl. No.: **29/262,218**

*Primary Examiner*—Ruth McInroy

(22) Filed: **Jun. 28, 2006**

(74) *Attorney, Agent, or Firm*—Flynn, Thiel, Boutell & Tanis, P.C.

(51) **LOC (8) Cl.** ..... **15-05**

(52) **U.S. Cl.** ..... **D32/21**

(58) **Field of Classification Search** ..... D32/21,  
D32/23–24, 31; 15/301, 320–321, 323, 327.1–327.4,  
15/327.6–327.7, 329, 347, 352–353, 412;  
55/337, 429, 345; 95/271; 210/512.1, 512.2  
See application file for complete search history.

(57) **CLAIM**

The ornamental design for a body for vacuum cleaner, as shown and described.

(56) **References Cited**

**DESCRIPTION**

**U.S. PATENT DOCUMENTS**

FIG. 1 is a top front perspective view of a body for vacuum cleaner showing our new design;

FIG. 2 is a front elevational view thereof;

FIG. 3 is a rear elevational view thereof;

FIG. 4 is a left side elevational view thereof;

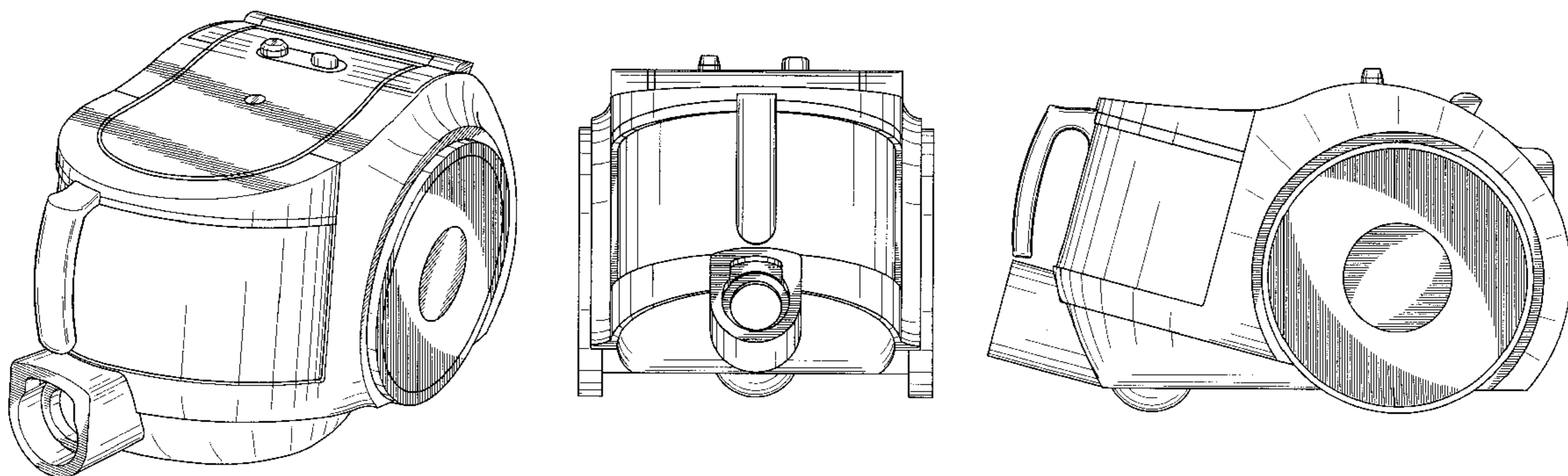
FIG. 5 is a right side elevational view thereof;

FIG. 6 is a top plan view thereof; and,

FIG. 7 is a bottom plan view thereof.

6,195,835 B1	3/2001	Song et al.	
D448,128 S *	9/2001	Oh .....	D32/21
6,406,505 B1	6/2002	Oh et al.	
6,521,006 B2	2/2003	Park et al.	
D476,783 S *	7/2003	Kondo et al. ....	D32/21
6,615,442 B2 *	9/2003	Yang .....	15/323
D485,953 S *	1/2004	Greene et al. ....	D32/21
D498,886 S *	11/2004	Fujii .....	D32/21
6,934,994 B2	8/2005	Oh et al.	

**1 Claim, 4 Drawing Sheets**



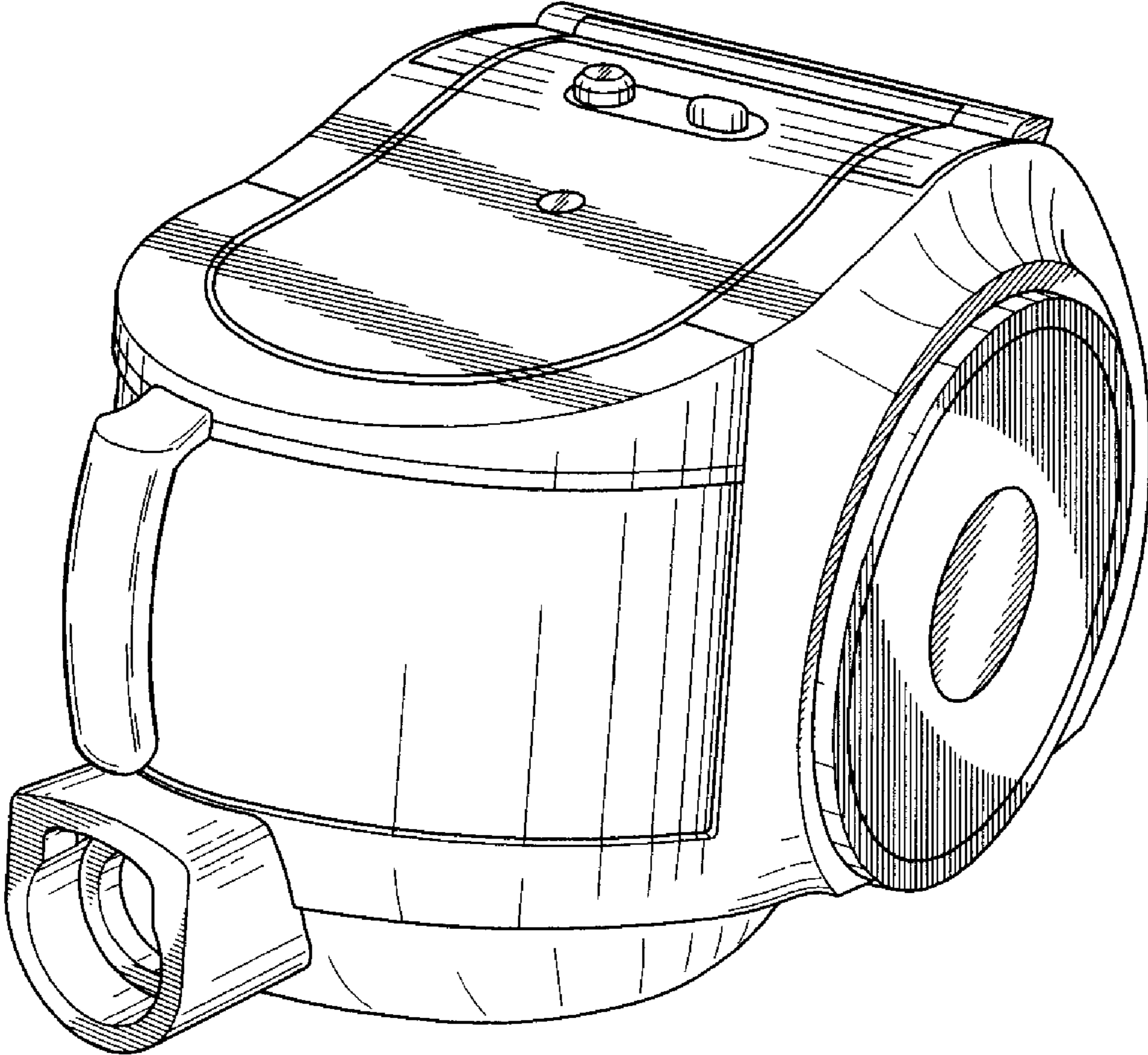


FIG. 1

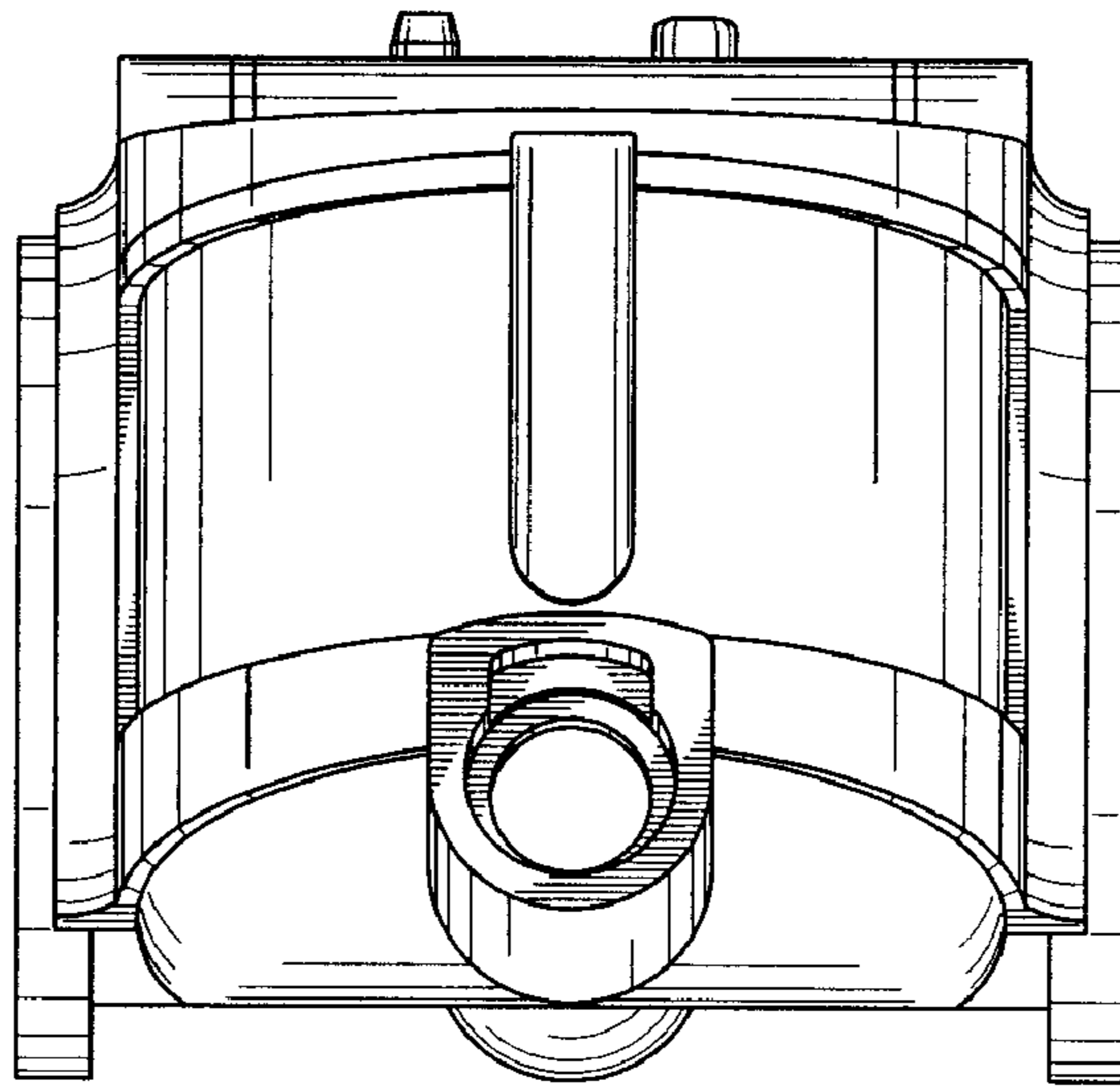


FIG. 2

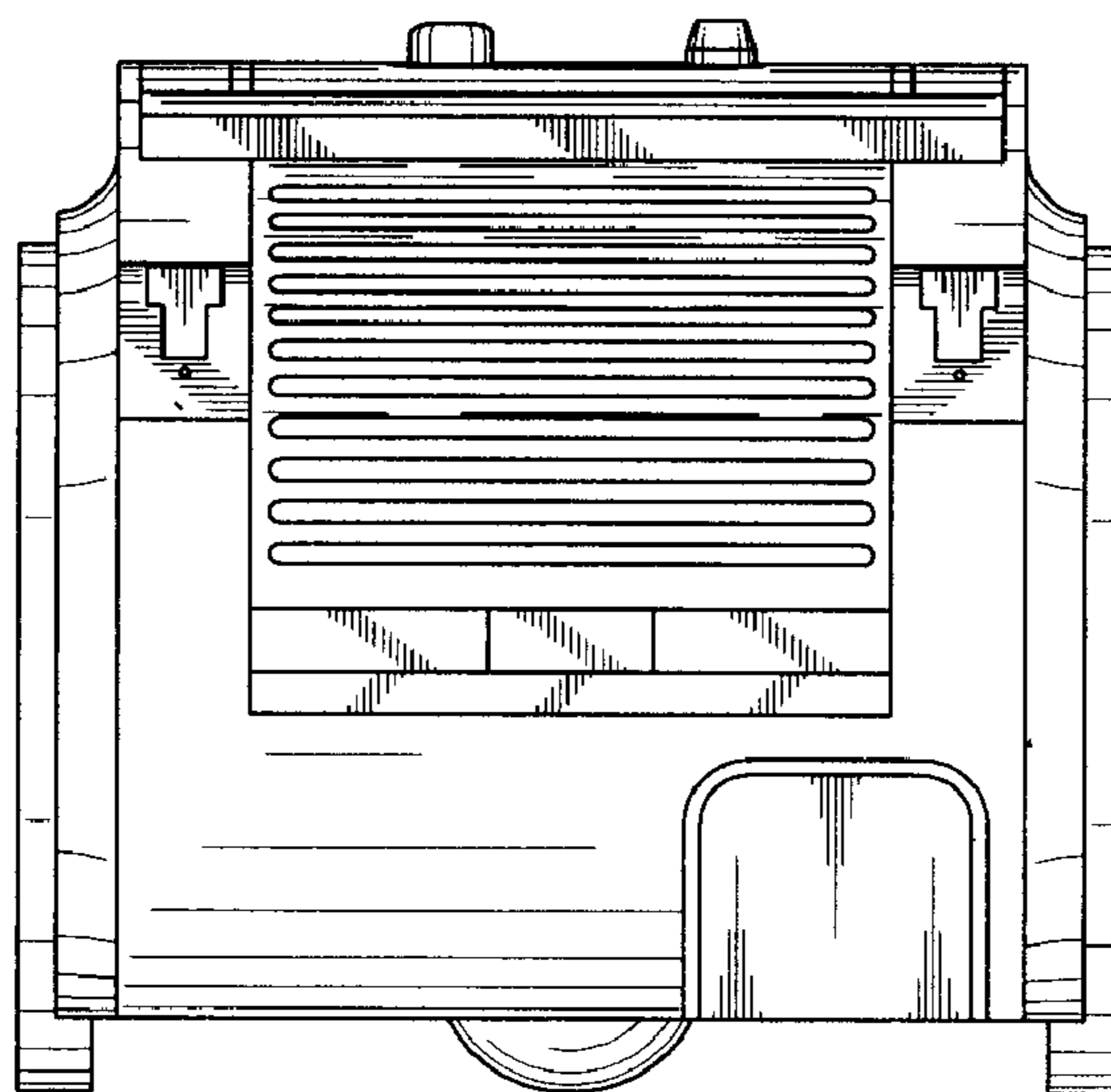


FIG. 3

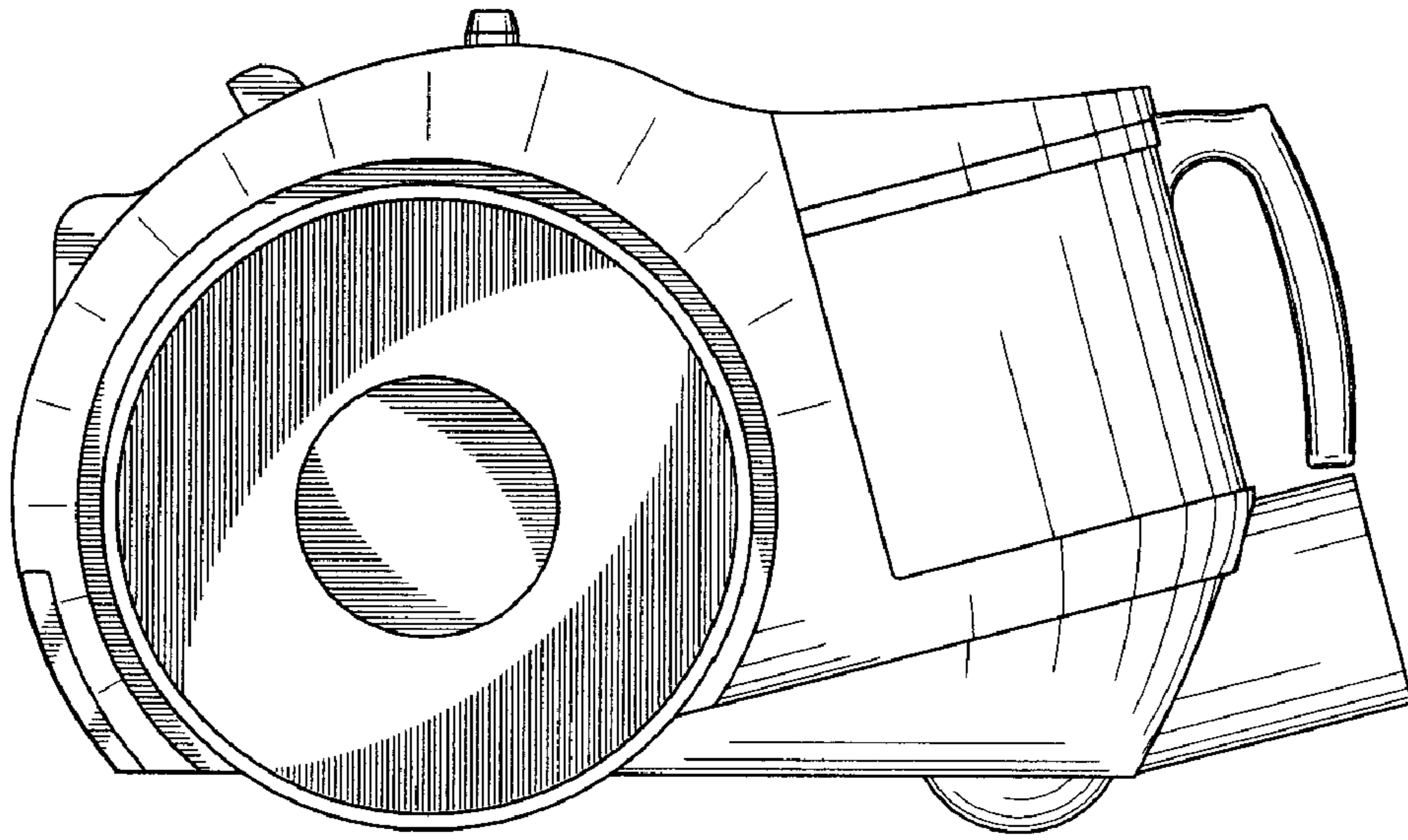


FIG. 4

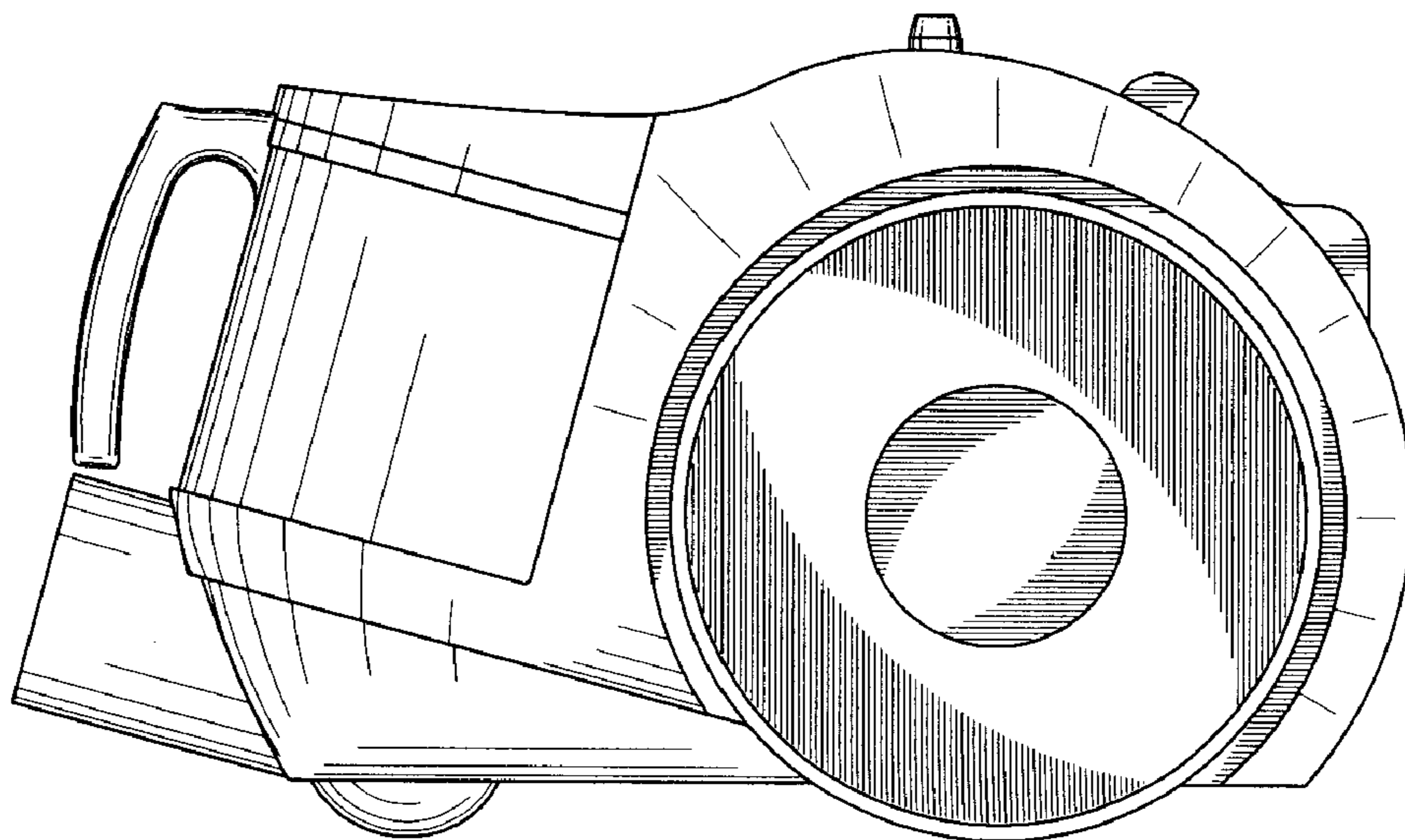


FIG. 5

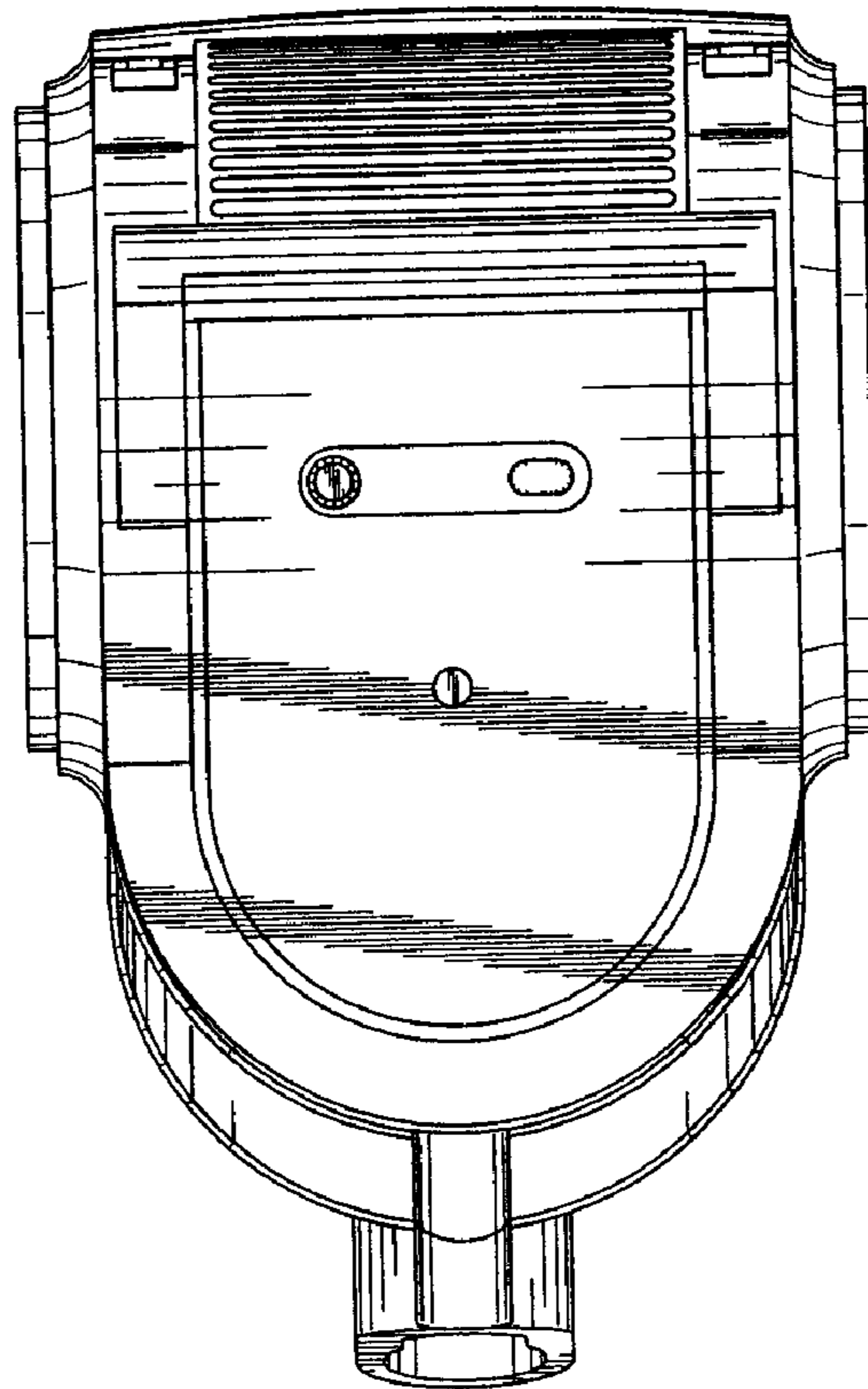


FIG. 6

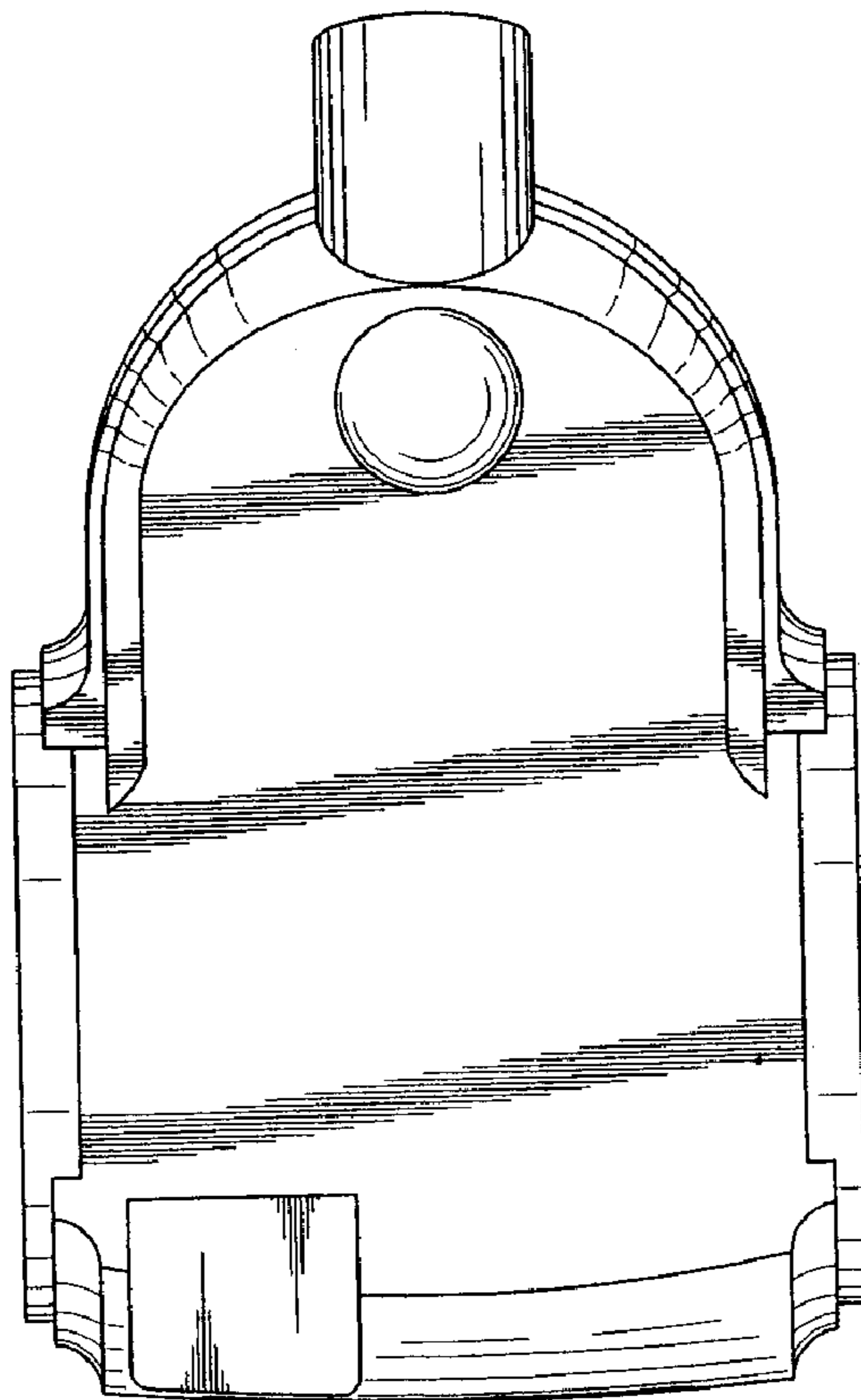


FIG. 7