



US00D550906S

(12) **United States Design Patent**
Fritz et al.

(10) **Patent No.:** **US D550,906 S**

(45) **Date of Patent:** **** Sep. 11, 2007**

(54) **POOL CLEANER HOUSING**

(75) Inventors: **Ward Fritz**, Chelsea, MA (US); **Paul Metaxatos**, Swampscott, MA (US); **Eric Nichols**, Cambridge, MA (US)

(73) Assignee: **H-Tech, Inc.**, Wilmington, DE (US)

(**) Term: **14 Years**

(21) Appl. No.: **29/241,869**

(22) Filed: **Oct. 31, 2005**

(51) **LOC (8) Cl.** **15-05**

(52) **U.S. Cl.** **D32/1**

(58) **Field of Classification Search** D32/1,
D32/15, 23, 16, 22, 25, 28; 15/327.1, 327.2,
15/1.7, 320, 321; 210/416.2, 169, 460; 180/116,
180/119, 120, 125, 130

See application file for complete search history.

(56) **References Cited**

U.S. PATENT DOCUMENTS

D144,063 S *	3/1946	McAllister	D32/23
D175,210 S *	7/1955	Dreyfuss	D32/23
D186,872 S *	12/1959	Swann	D32/23
4,306,329 A	12/1981	Yokoi		
D264,797 S *	6/1982	Burglin et al.	D8/62
4,776,953 A	10/1988	Frentzel		
D304,505 S	11/1989	Maier et al.		
D315,624 S	3/1991	Kimura et al.		
5,093,950 A	3/1992	Heier		
D325,452 S	4/1992	Gefter		
D361,178 S *	8/1995	Piret	D32/21
D375,592 S	11/1996	Ljunggren		
D384,782 S	10/1997	Gefter		

D400,319 S	10/1998	Hofheins et al.		
5,935,179 A *	8/1999	Kleiner et al.	701/23
D417,322 S	11/1999	Hollinger		
D430,960 S	9/2000	van der Meyden et al.		
D445,225 S	7/2001	Schaub		
D463,889 S	10/2002	Buzzi		
D474,312 S *	5/2003	Stephens et al.	D32/21
D524,495 S *	7/2006	Ljunggren	D32/21
7,103,449 B2 *	9/2006	Woo et al.	700/251
2003/0177594 A1	9/2003	Van Der Meyden et al.		

OTHER PUBLICATIONS

U.S. Appl. No. 29/241,866, "Pool Cleaner Housing," filed Oct. 31, 2005.

* cited by examiner

Primary Examiner—Louis S. Zarfaz

Assistant Examiner—Kathleen M. Sims

(74) *Attorney, Agent, or Firm*—McCarter & English, LLP

(57) **CLAIM**

The ornamental design for a pool cleaner housing, as shown.

DESCRIPTION

FIG. 1 is a front perspective view of a pool cleaner housing showing my new design;

FIG. 2 is a front elevational view thereof;

FIG. 3 is a rear elevational view thereof;

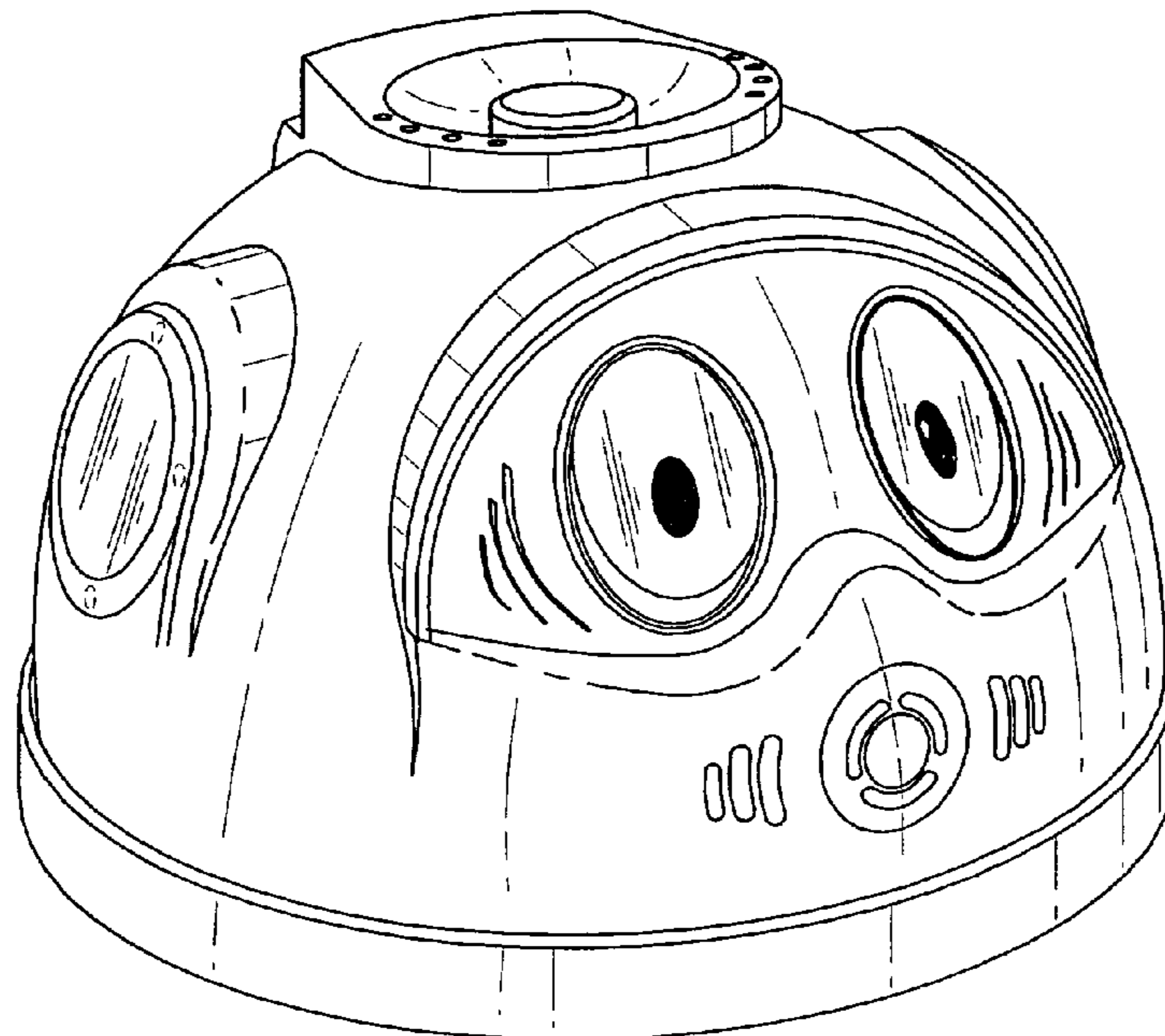
FIG. 4 is a left side elevational view thereof;

FIG. 5 is a right side elevational view thereof;

FIG. 6 is a top plan view thereof; and,

FIG. 7 is a bottom plan view thereof.

1 Claim, 7 Drawing Sheets



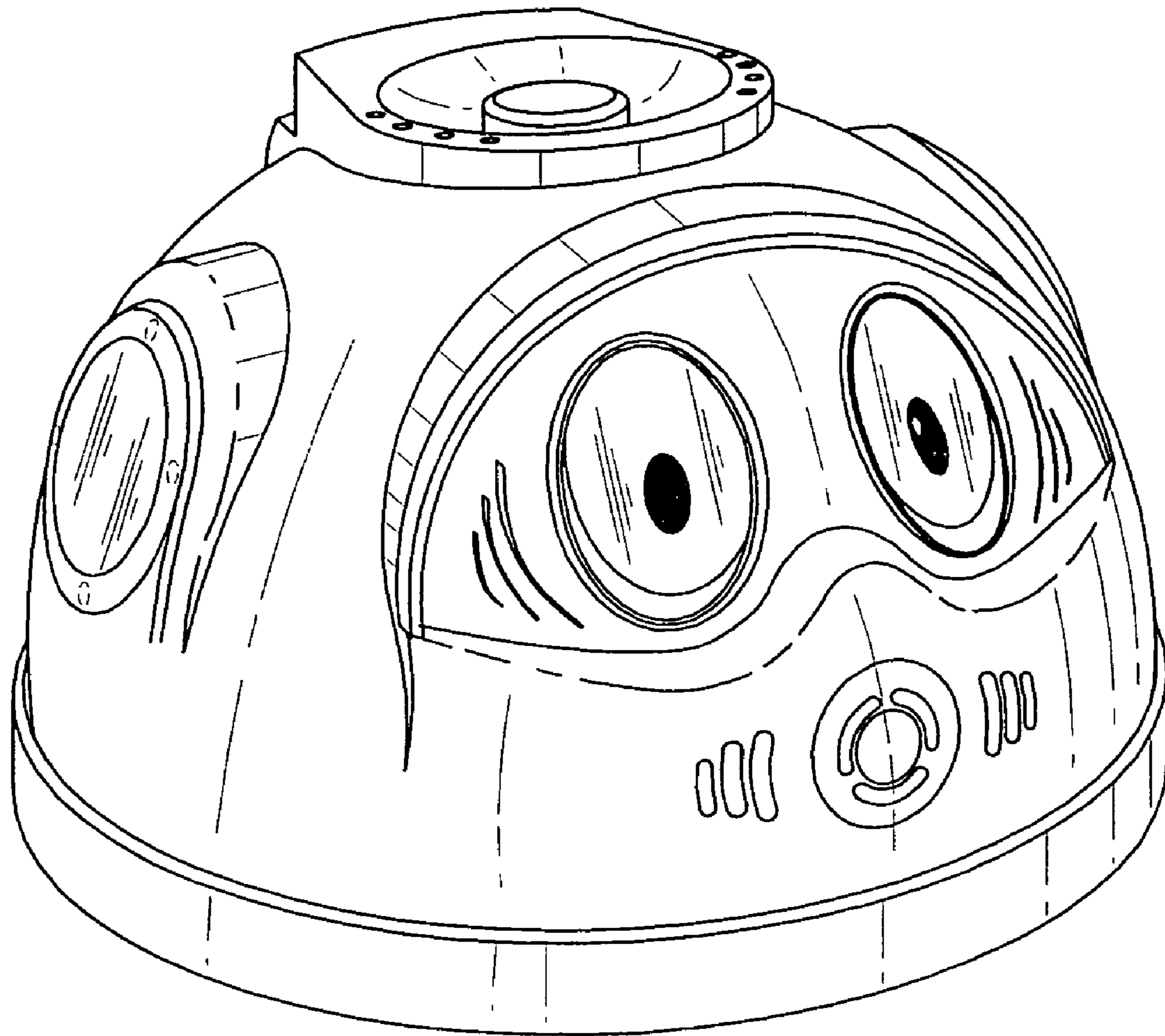


FIG. 1

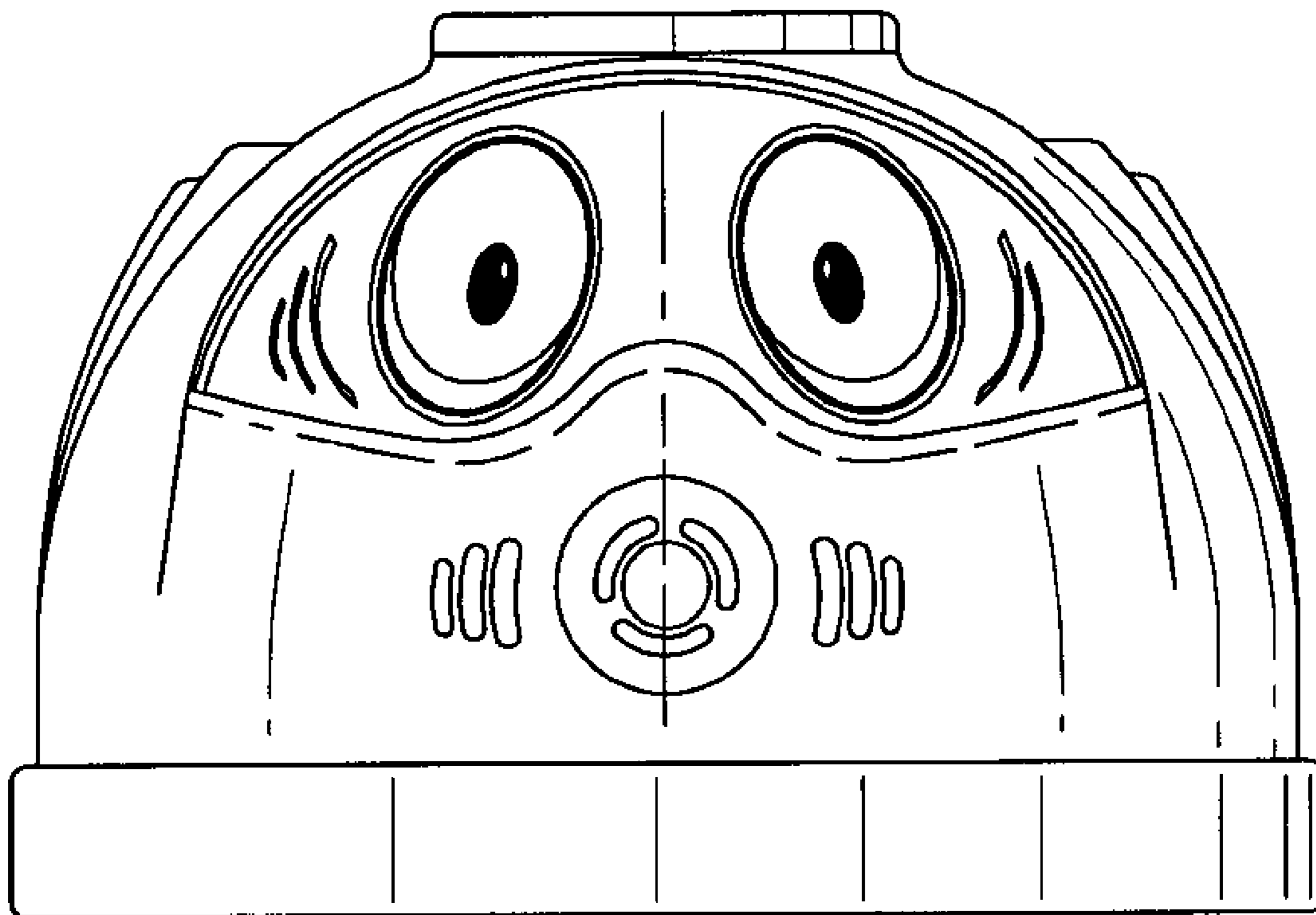


FIG. 2

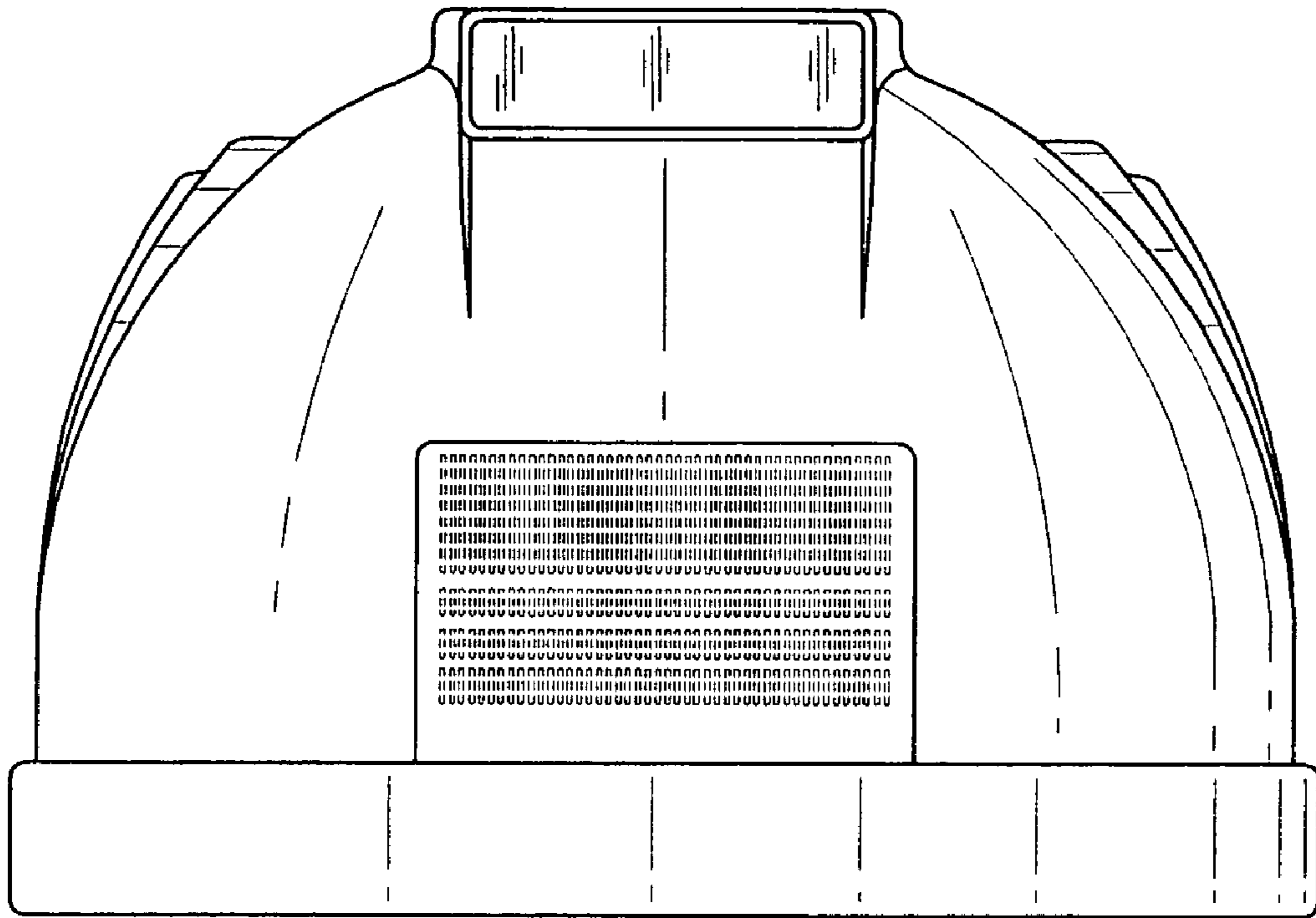


FIG. 3

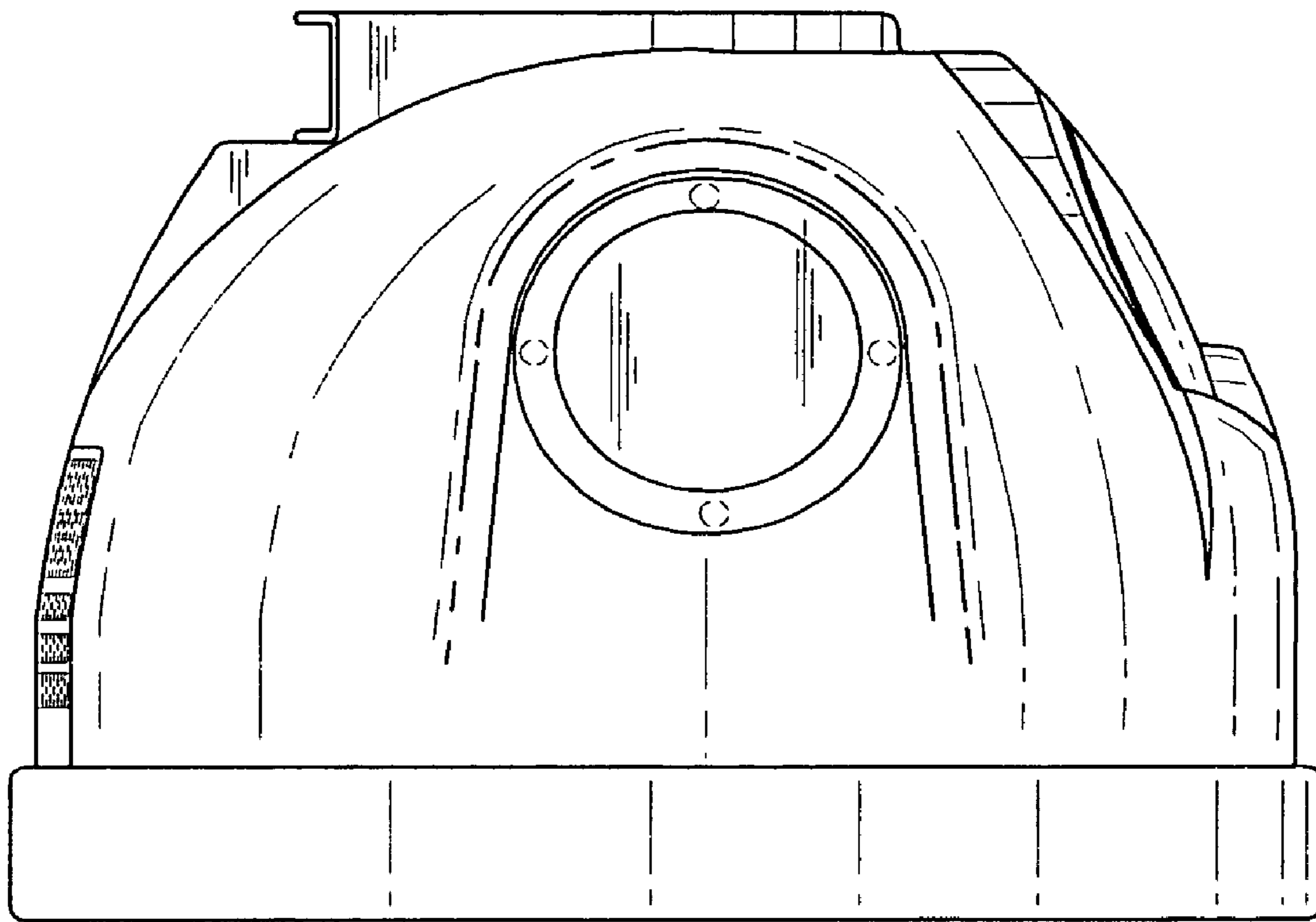


FIG. 4

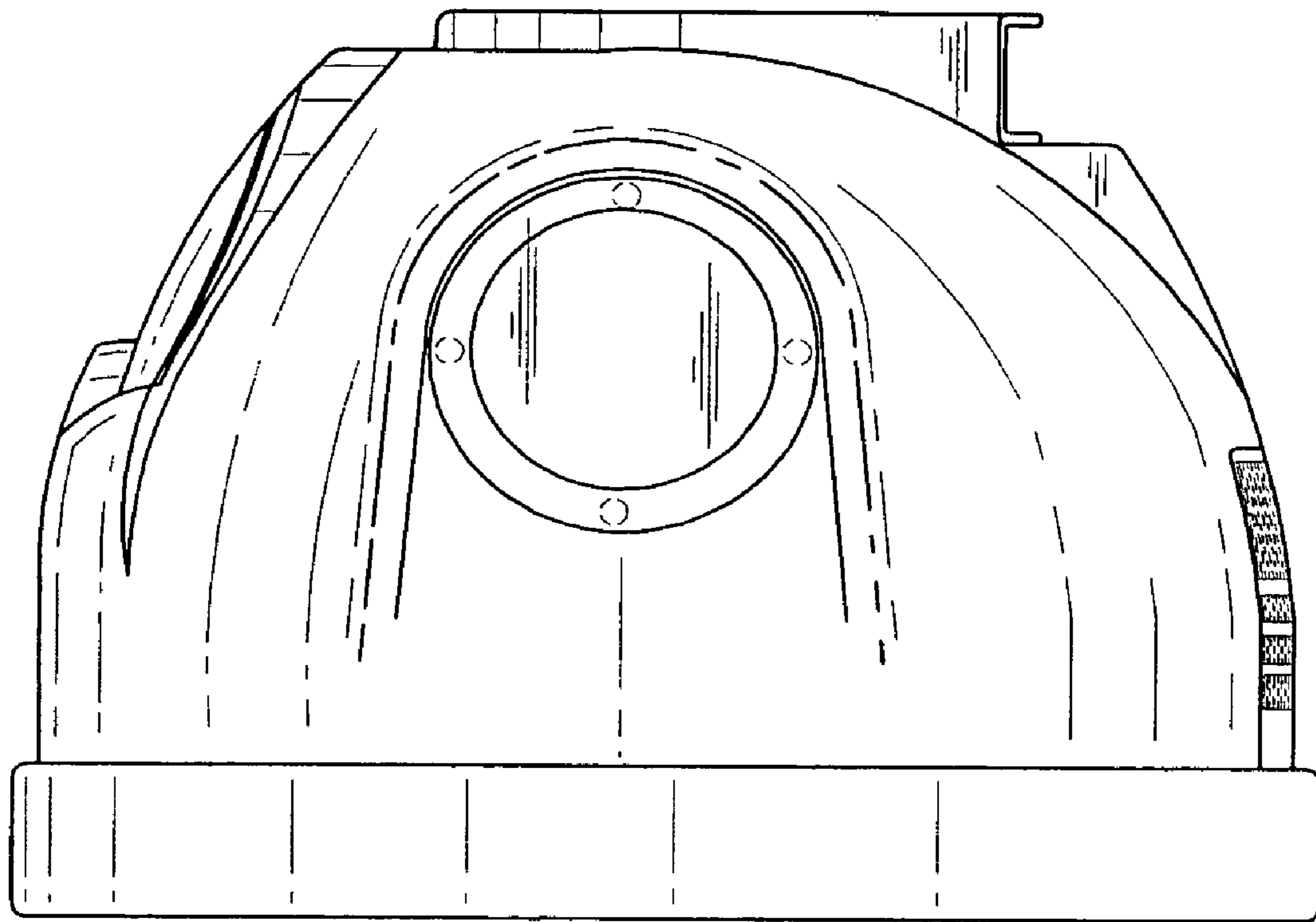


FIG. 5

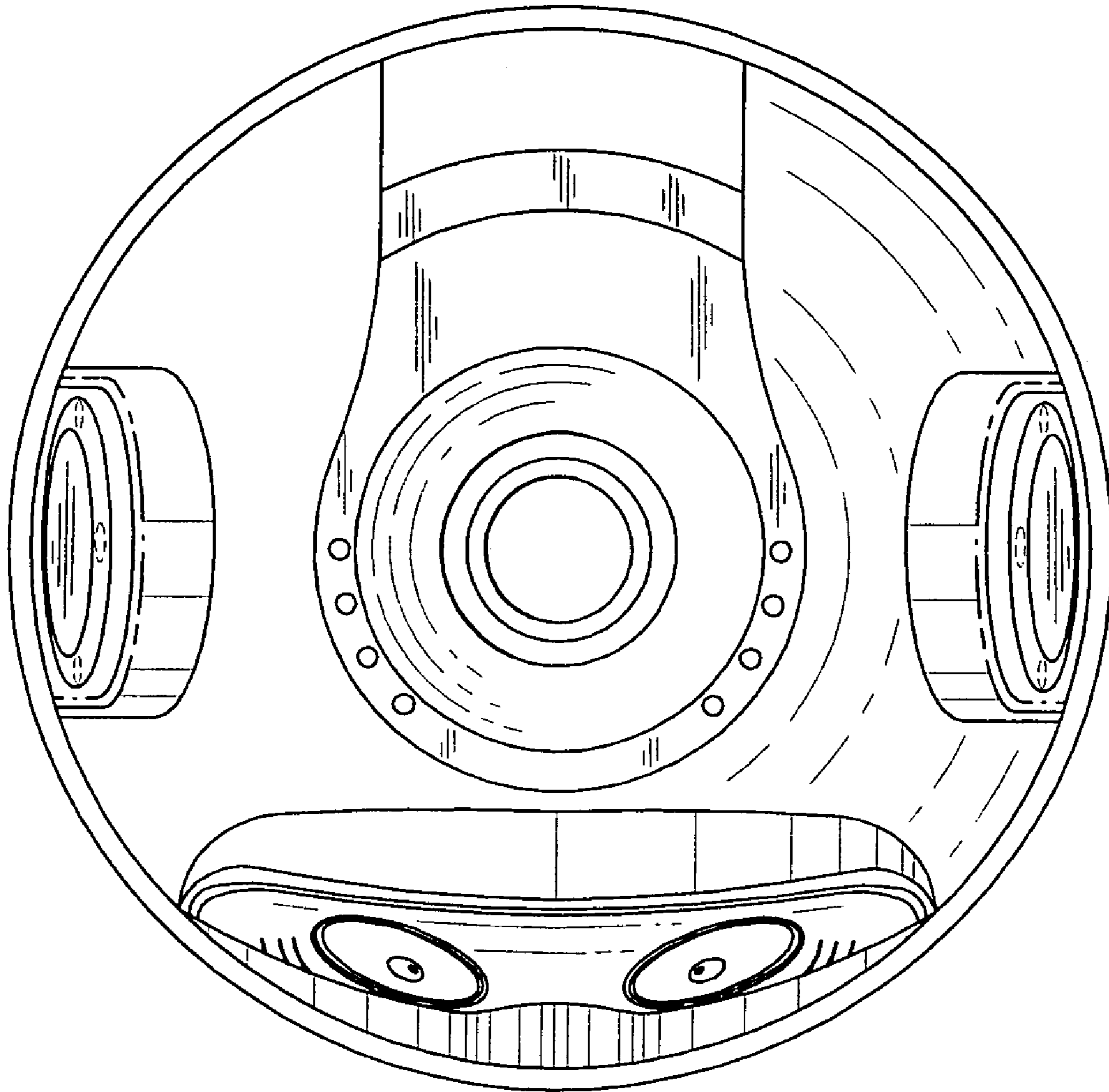


FIG. 6

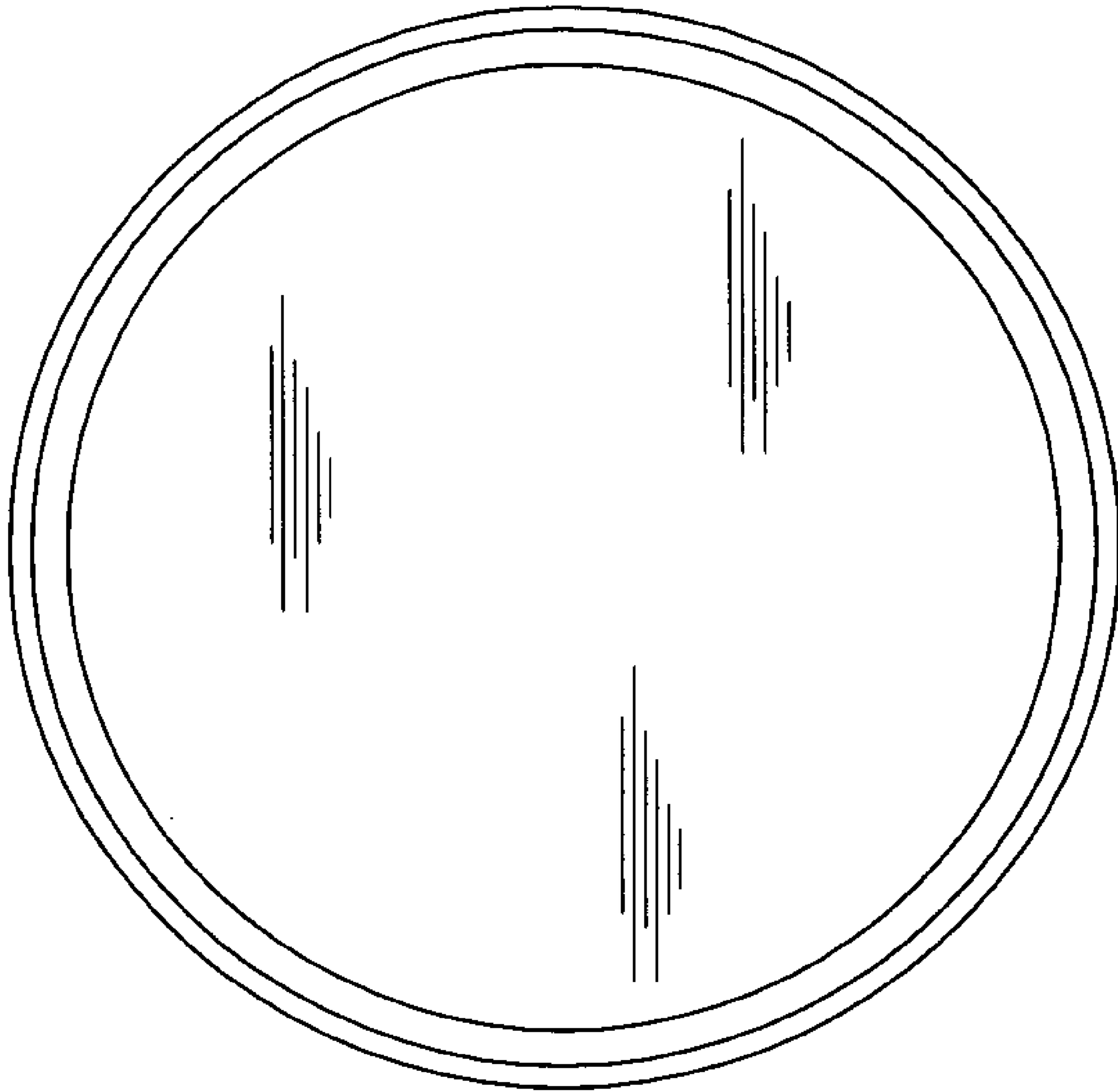


FIG. 7