



US00D550900S

(12) **United States Design Patent**
Kuchler et al.

(10) **Patent No.:** **US D550,900 S**

(45) **Date of Patent:** **** Sep. 11, 2007**

(54) **HAIR IRON**

D482,491 S * 11/2003 Maesawa et al. D28/35
D489,483 S * 5/2004 Cho D28/35

(75) Inventors: **Marcus Kuchler**, Munich (DE); **Jason Ray**, Taipei (TW); **Todd Lawrence**, Taipei (TW)

* cited by examiner

(73) Assignee: **McBride Research Laboratory, Inc.**, Decatur, GA (US)

Primary Examiner—Jennifer Rivard
(74) *Attorney, Agent, or Firm*—Laurence P. Colton; Smith, Gambrell & Russell LLP

(**) Term: **14 Years**

(21) Appl. No.: **29/250,012**

(57) **CLAIM**

(22) Filed: **Oct. 30, 2006**

The ornamental design for a hair iron, as shown and described.

Related U.S. Application Data

DESCRIPTION

(62) Division of application No. 29/231,092, filed on Jun. 1, 2005, now Pat. No. Des. 541,472.

(51) **LOC (8) Cl.** **28-03**

(52) **U.S. Cl.** **D28/35**

(58) **Field of Classification Search** 132/222–225,
132/227–229, 232, 236, 245, 269, 271; D28/35;
219/222, 225, 226

See application file for complete search history.

FIG. 1 is a perspective view of the hair iron of the present design.

FIG. 2 is a left side elevation view of the design of FIG. 1.

FIG. 3 is a bottom plan view of the design of FIG. 1.

FIG. 4 is a top plan view of the design of FIG. 1.

FIG. 5 is a right side elevation view of the design of FIG. 1.

FIG. 6 is a front elevation view of the design of FIG. 1; and,

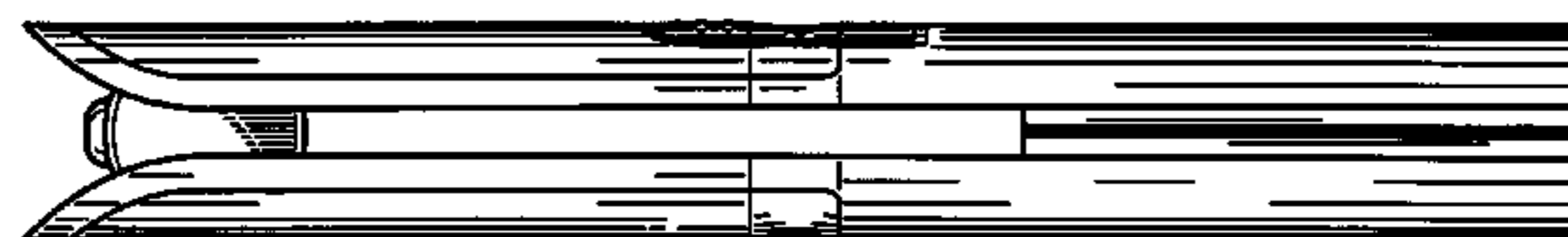
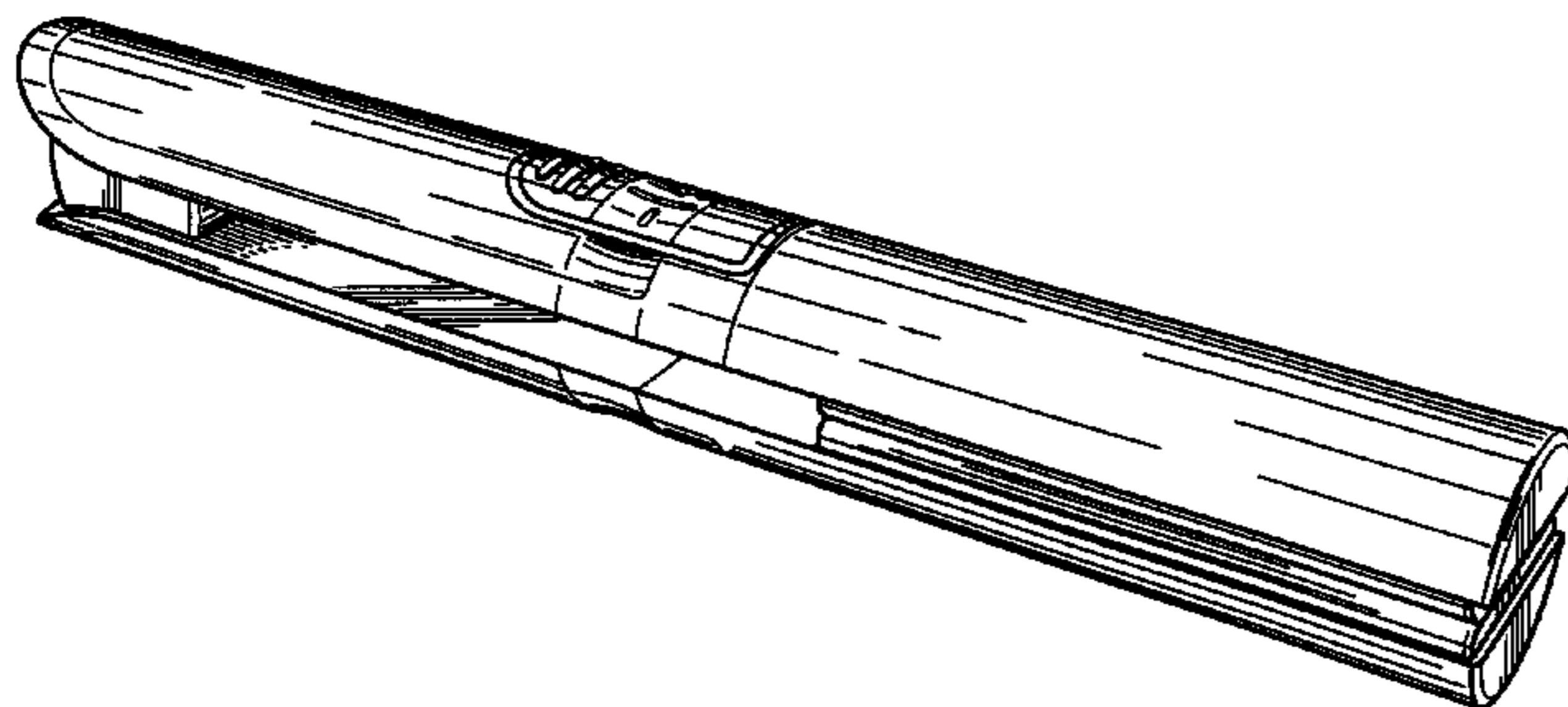
FIG. 7 is a rear elevation view of the design of FIG. 1.

(56) **References Cited**

U.S. PATENT DOCUMENTS

D391,019 S * 2/1998 Seifert D28/35

1 Claim, 3 Drawing Sheets



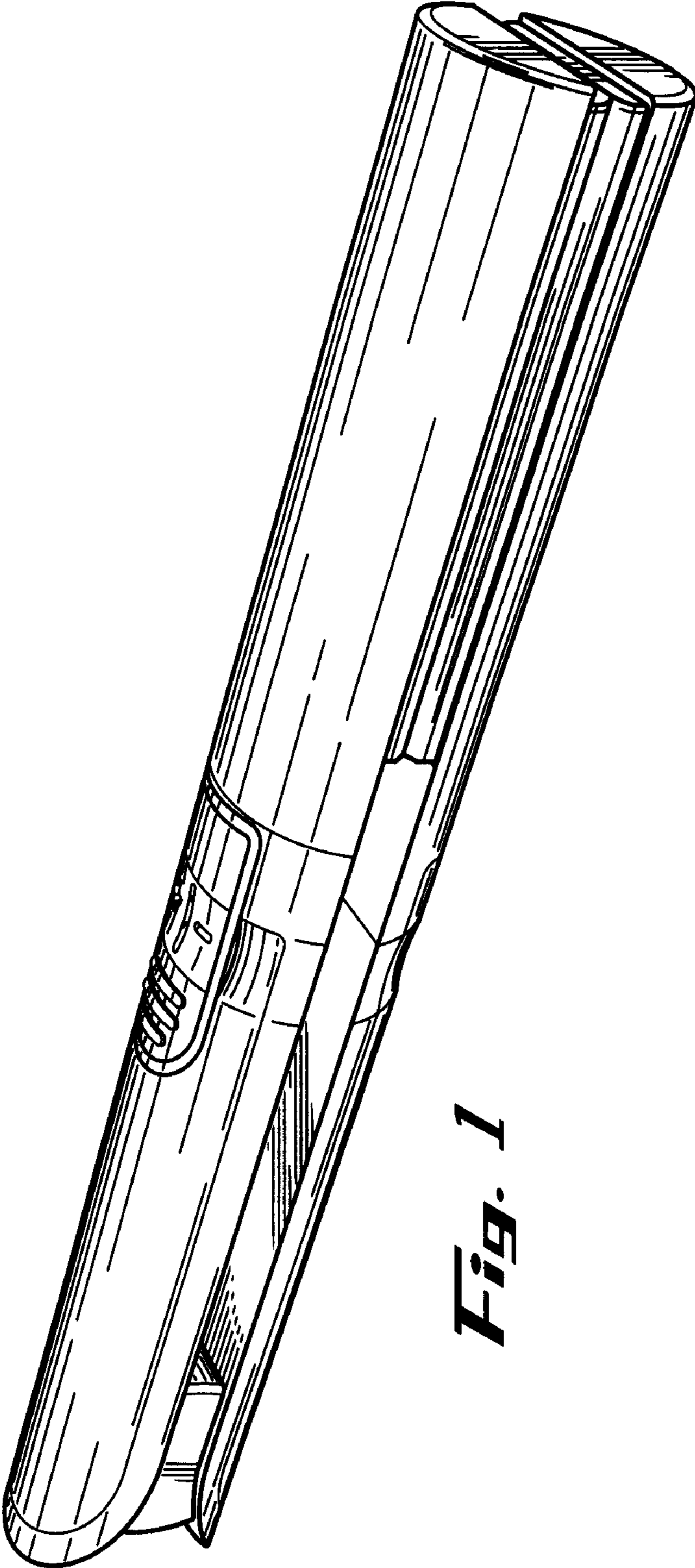


Fig. 1



Fig. 2

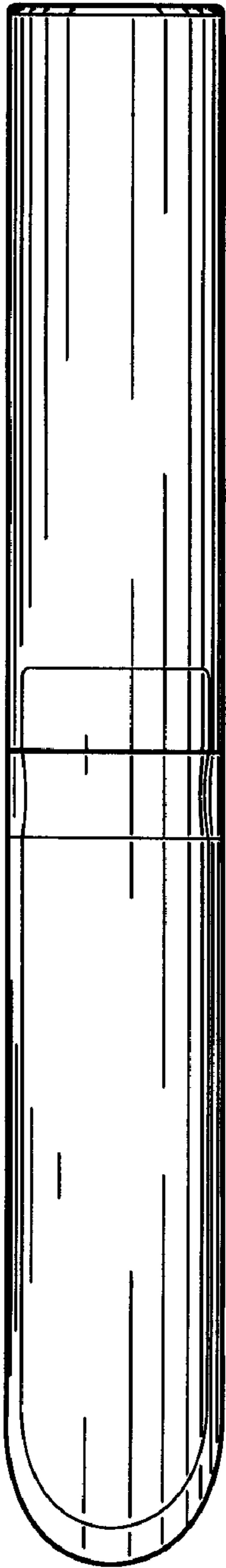


Fig. 3

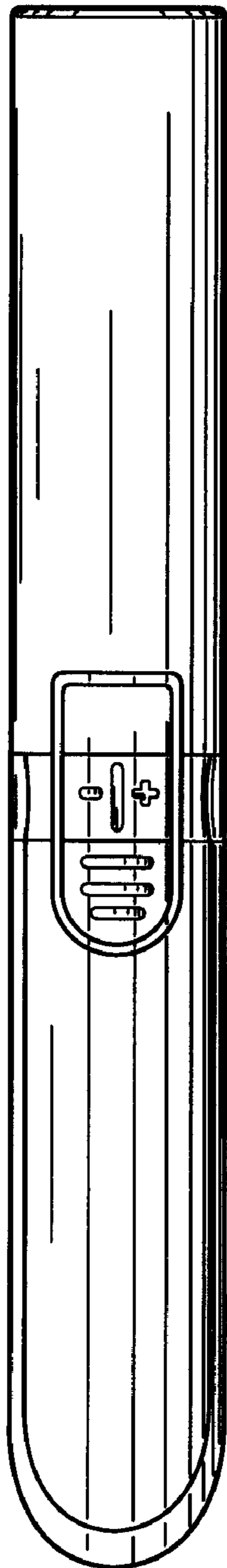


Fig. 4

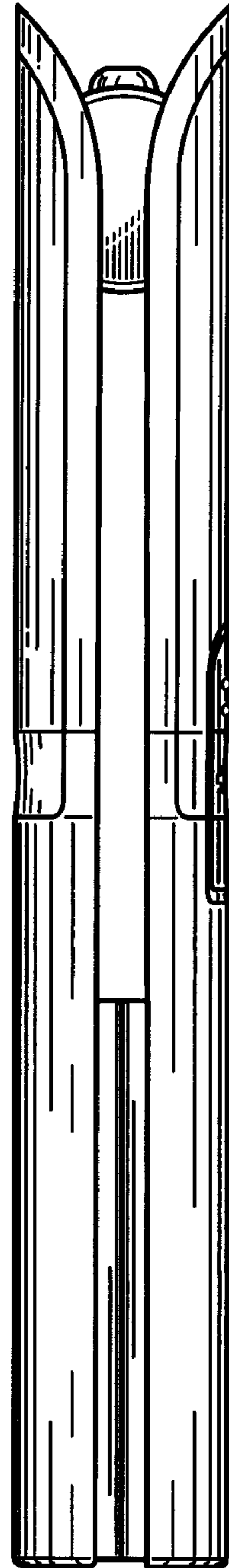


Fig. 5

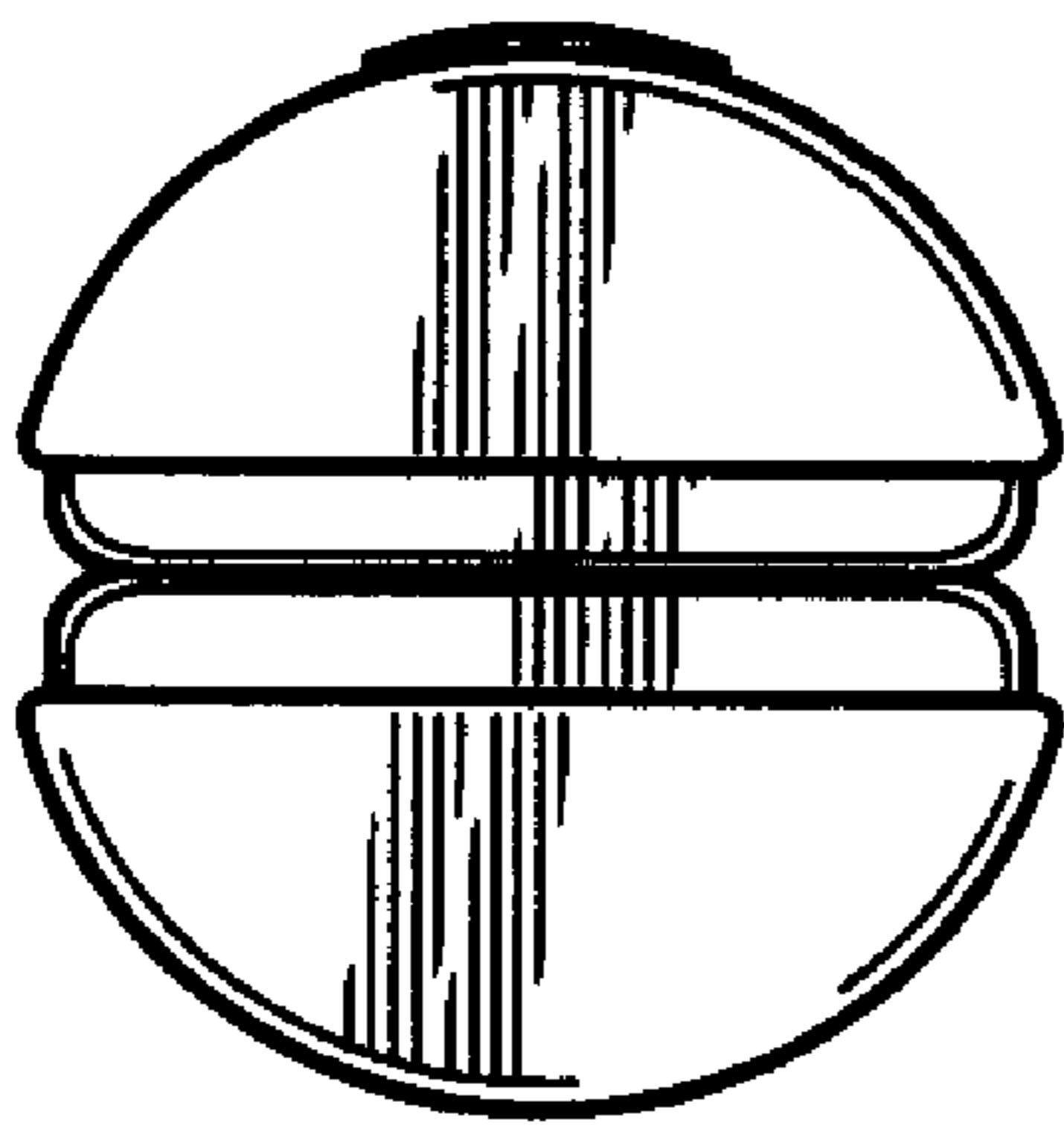


Fig. 6

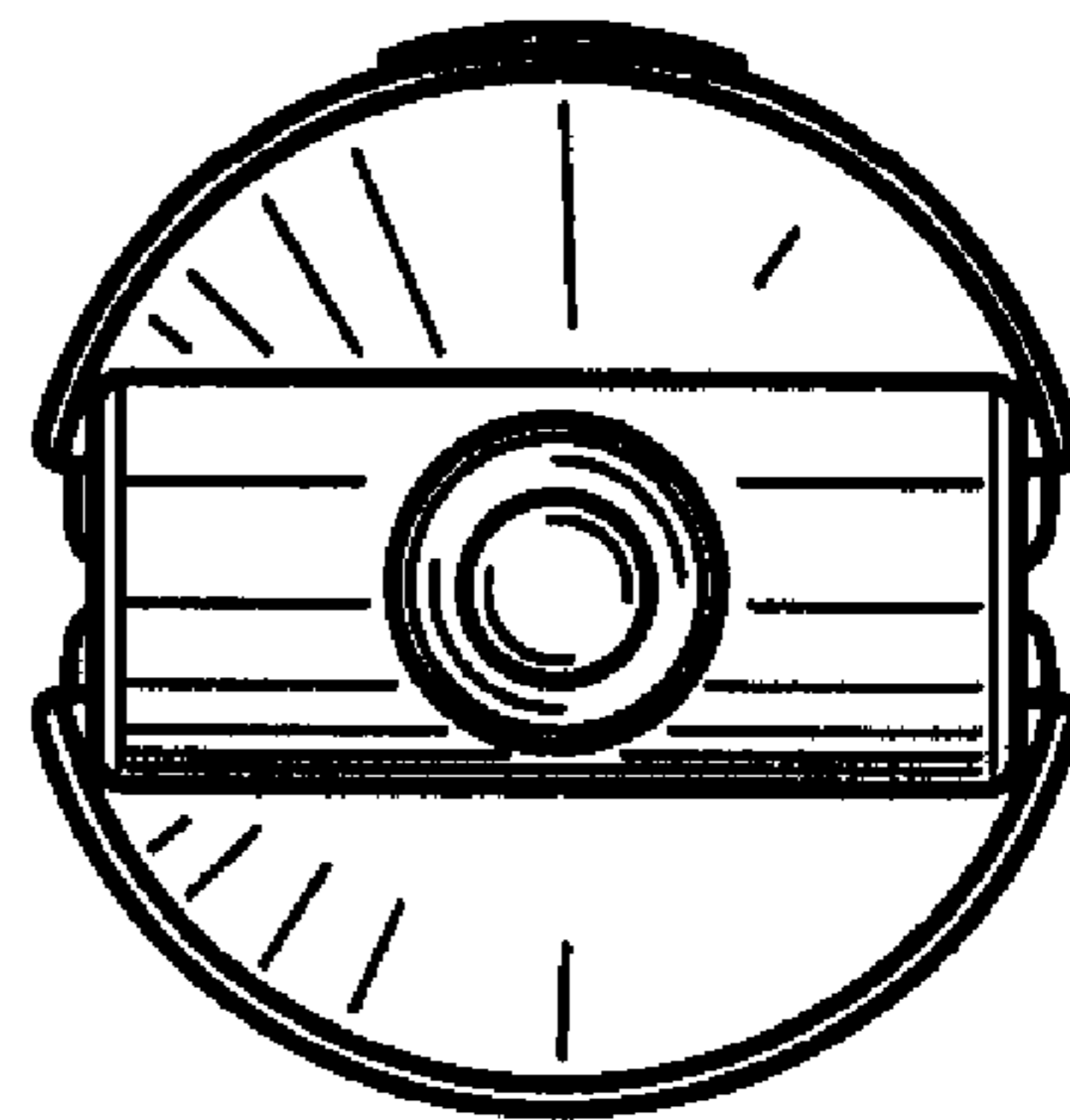


Fig. 7