

US00D550899S

(12) **United States Design Patent**
Yanagi

(10) **Patent No.:** **US D550,899 S**

(45) **Date of Patent:** **** Sep. 11, 2007**

(54) **EYE SHADOW**

(75) Inventor: **Yuriko Yanagi**, Tokyo (JP)

(73) Assignee: **Shiseido Co., Ltd.**, Tokyo (JP)

(**) Term: **14 Years**

(21) Appl. No.: **29/266,134**

(22) Filed: **Sep. 15, 2006**

(51) **LOC (8) Cl.** **28-03**

(52) **U.S. Cl.** **D28/4; D28/8.1**

(58) **Field of Classification Search** 510/133,
510/141, 148; 424/401; D28/4, 5, 8.1, 8.2
See application file for complete search history.

(56) **References Cited**

U.S. PATENT DOCUMENTS

- 1,087,335 A * 2/1914 Swartz D28/8.1
- D206,140 S * 11/1966 Meeker D28/8.1
- D245,878 S * 9/1977 Morrison D28/8.1
- D245,879 S * 9/1977 Morrison D28/8.1

- D316,761 S * 5/1991 Golden et al. D28/4
- D335,699 S * 5/1993 Gladfelter et al. D28/8.1

* cited by examiner

Primary Examiner—Jennifer Rivard

(74) *Attorney, Agent, or Firm*—Manabu Kanesaka

(57) **CLAIM**

The ornamental design for an eye shadow, as shown and described.

DESCRIPTION

FIG. 1 is a perspective view of an eye shadow showing my new design;

FIG. 2 is a front view thereof;

FIG. 3 is a rear view thereof;

FIG. 4 is a plan view thereof, a bottom view being symmetrical to the plan view; and,

FIG. 5 is a right side view thereof, a left side view being symmetrical to the right side view.

1 Claim, 2 Drawing Sheets

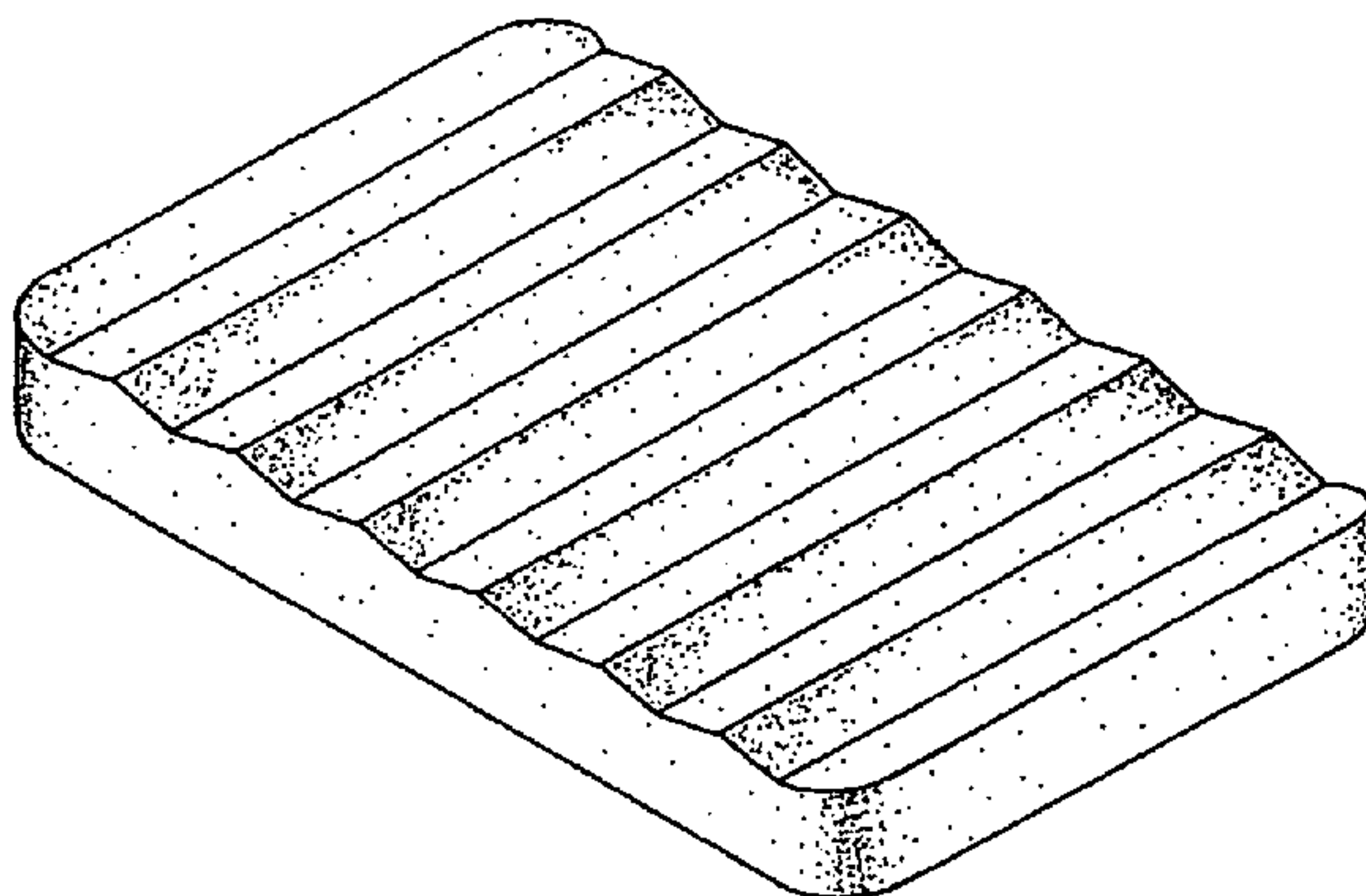


Fig. 1

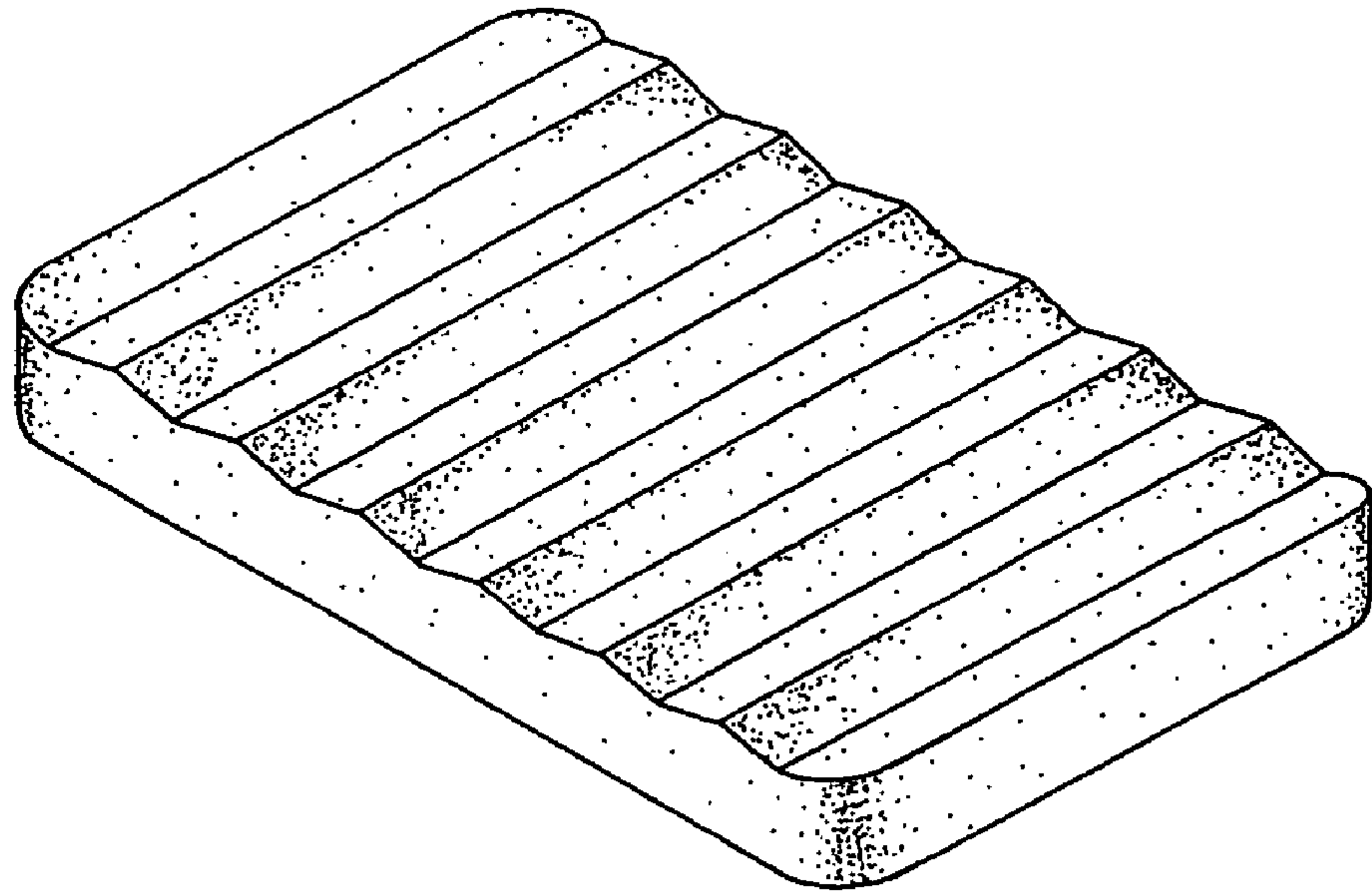


Fig. 2

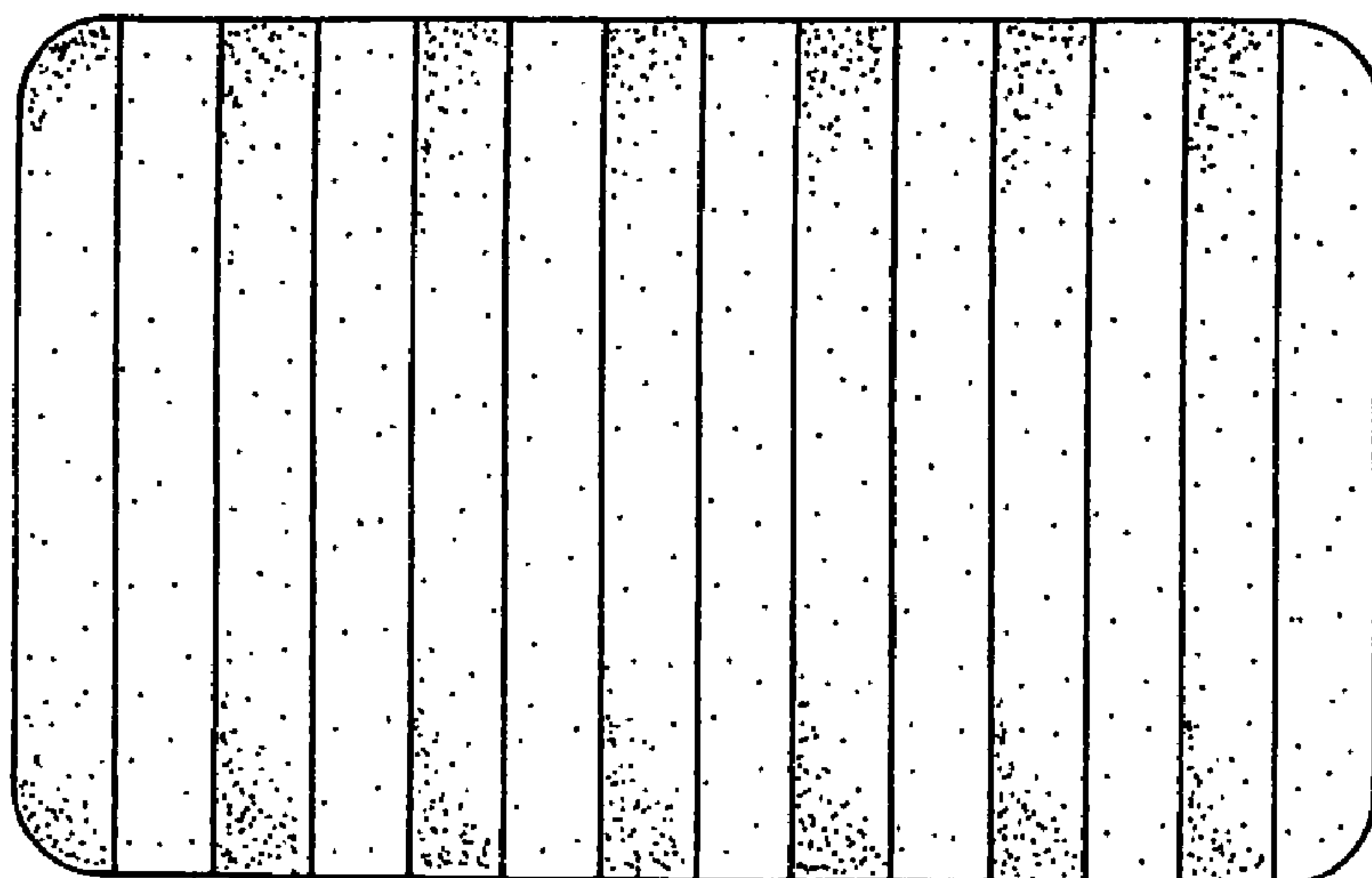


Fig.3

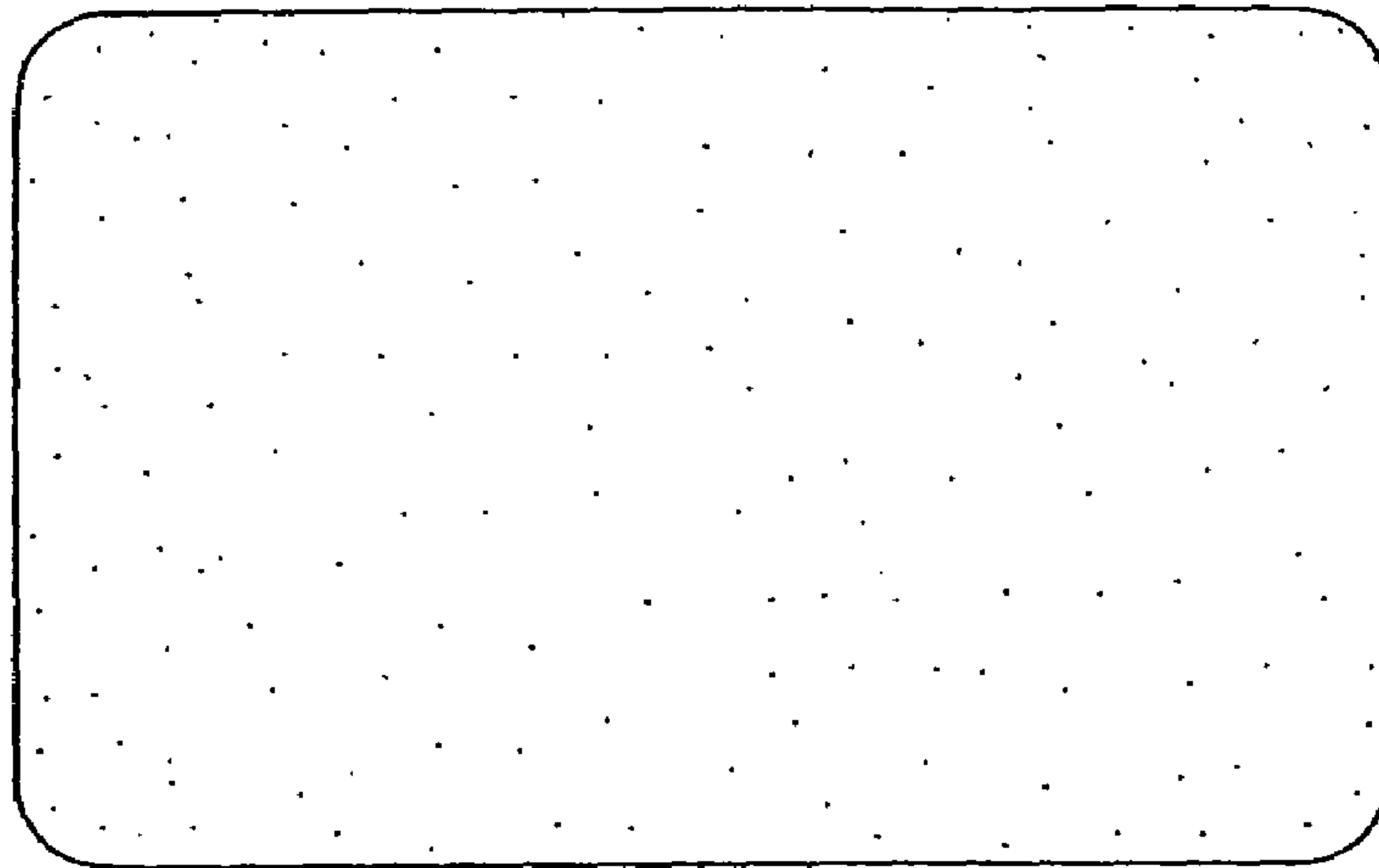


Fig.4

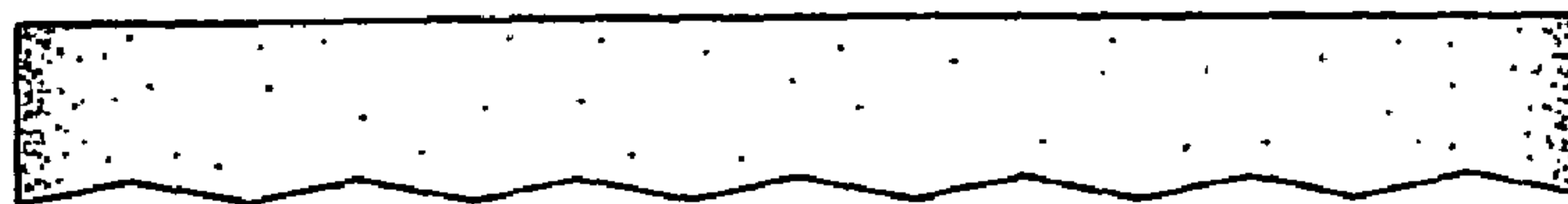


Fig.5

