



US00D550898S

(12) **United States Design Patent**
Burkholder

(10) **Patent No.:** **US D550,898 S**

(45) **Date of Patent:** **** Sep. 11, 2007**

(54) **CIGAR HOLDER**

(76) Inventor: **Wayne A. Burkholder**, 100 S. Main St., Middleboro, MA (US) 02346

(**) Term: **14 Years**

(21) Appl. No.: **29/254,353**

(22) Filed: **Feb. 22, 2006**

(51) **LOC (8) Cl.** **27-06**

(52) **U.S. Cl.** **D27/183**

(58) **Field of Classification Search** D27/172,
D27/183, 186, 187, 192; 131/257, 259, 260,
131/240.1, 241

See application file for complete search history.

(56) **References Cited**

U.S. PATENT DOCUMENTS

1,423,507	A	7/1922	Allen	
3,001,529	A	9/1961	Watson	
5,588,448	A	12/1996	Photakis	
D379,551	S	5/1997	Hubbard	
D389,214	S	* 1/1998	Impastato, II D21/794
D392,410	S	3/1998	Lukach	
D392,770	S	* 3/1998	Scallon et al. D27/183
5,743,276	A	* 4/1998	Tamayo-Rivera et al.	.. 131/259
5,842,481	A	12/1998	King	
D422,747	S	4/2000	Evans	
D451,636	S	12/2001	Chang	

D485,393	S	1/2004	Cervantes et al.	
2003/0024540	A1	2/2003	Gibertini	
2003/0207721	A1	11/2003	Hall et al.	
2004/0182402	A1	9/2004	Cervantes et al.	
2004/0187880	A1	9/2004	Hernandez, III	
2006/0070634	A1*	4/2006	Brunkow 131/259

* cited by examiner

Primary Examiner—Jennifer Rivard
(74) *Attorney, Agent, or Firm*—John P. McGonagle

(57) **CLAIM**

The ornamental design for a cigar holder, as shown and described.

DESCRIPTION

FIG. 1 is a front perspective view of a cigar holder embodying my new design;

FIG. 2 is a rear perspective view thereof;

FIG. 3 is a front view thereof;

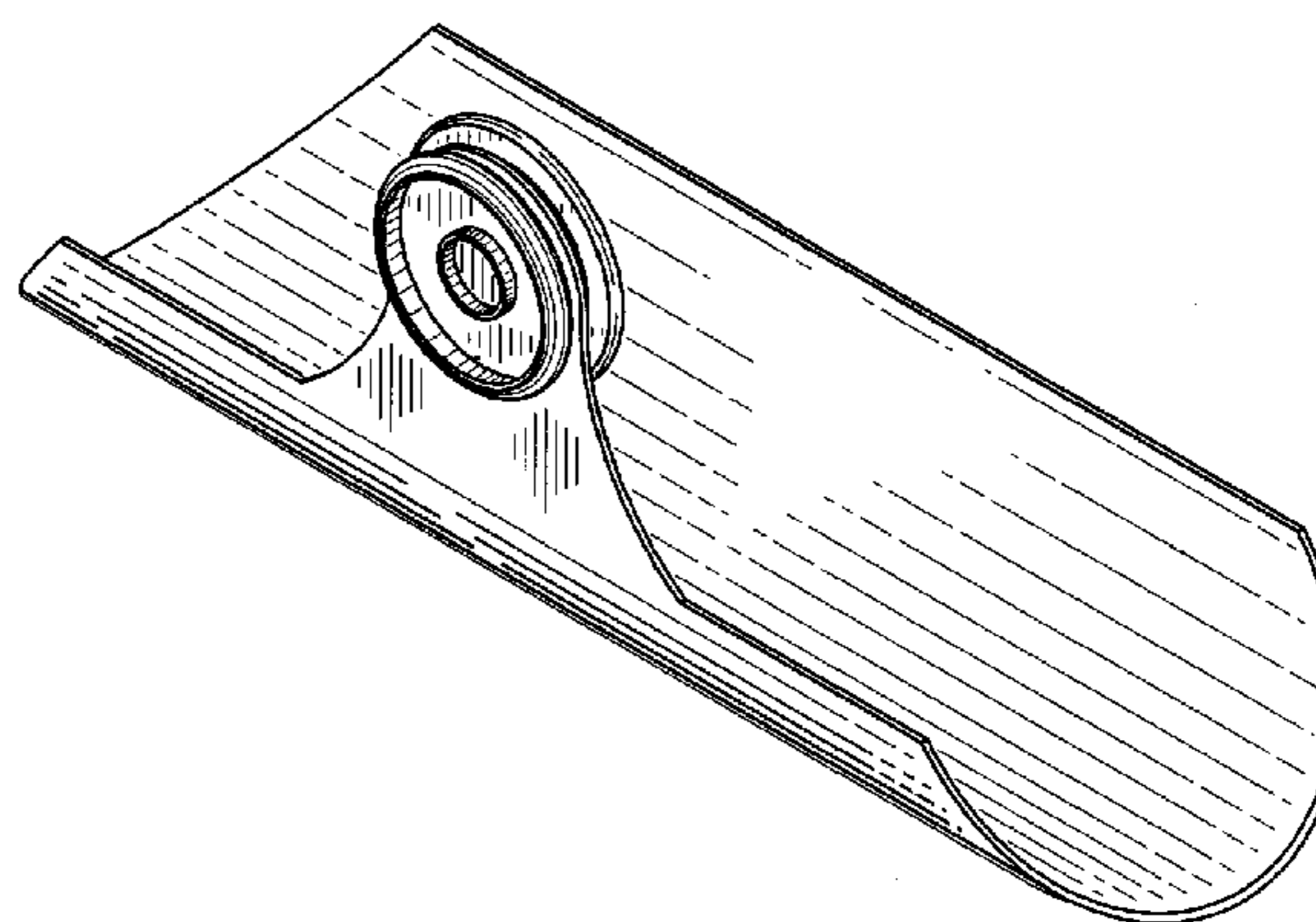
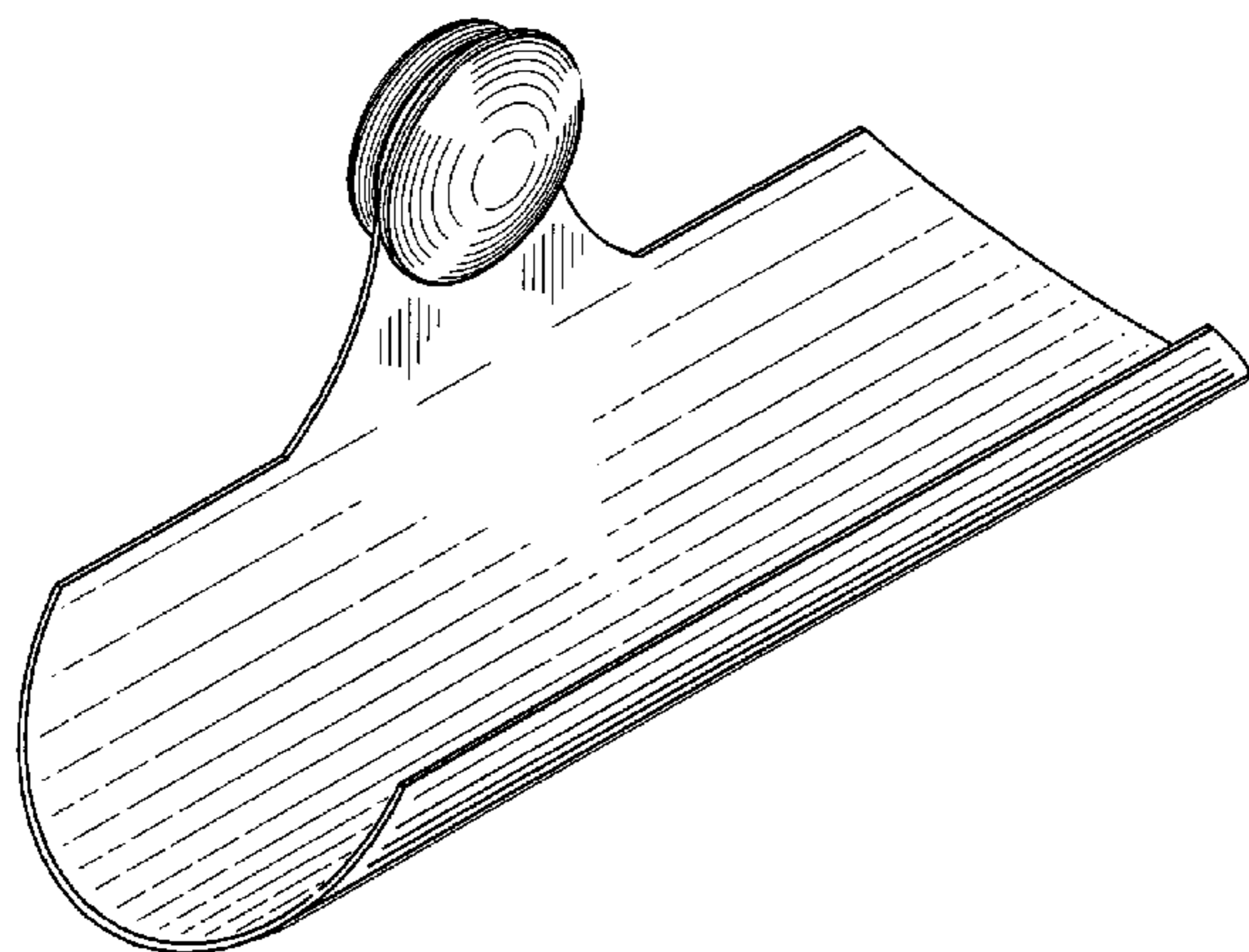
FIG. 4 is a top view thereof;

FIG. 5 is a side view thereof, the opposite side being a mirror image thereof;

FIG. 6 is a bottom view thereof; and,

FIG. 7 is a rear view thereof.

1 Claim, 3 Drawing Sheets



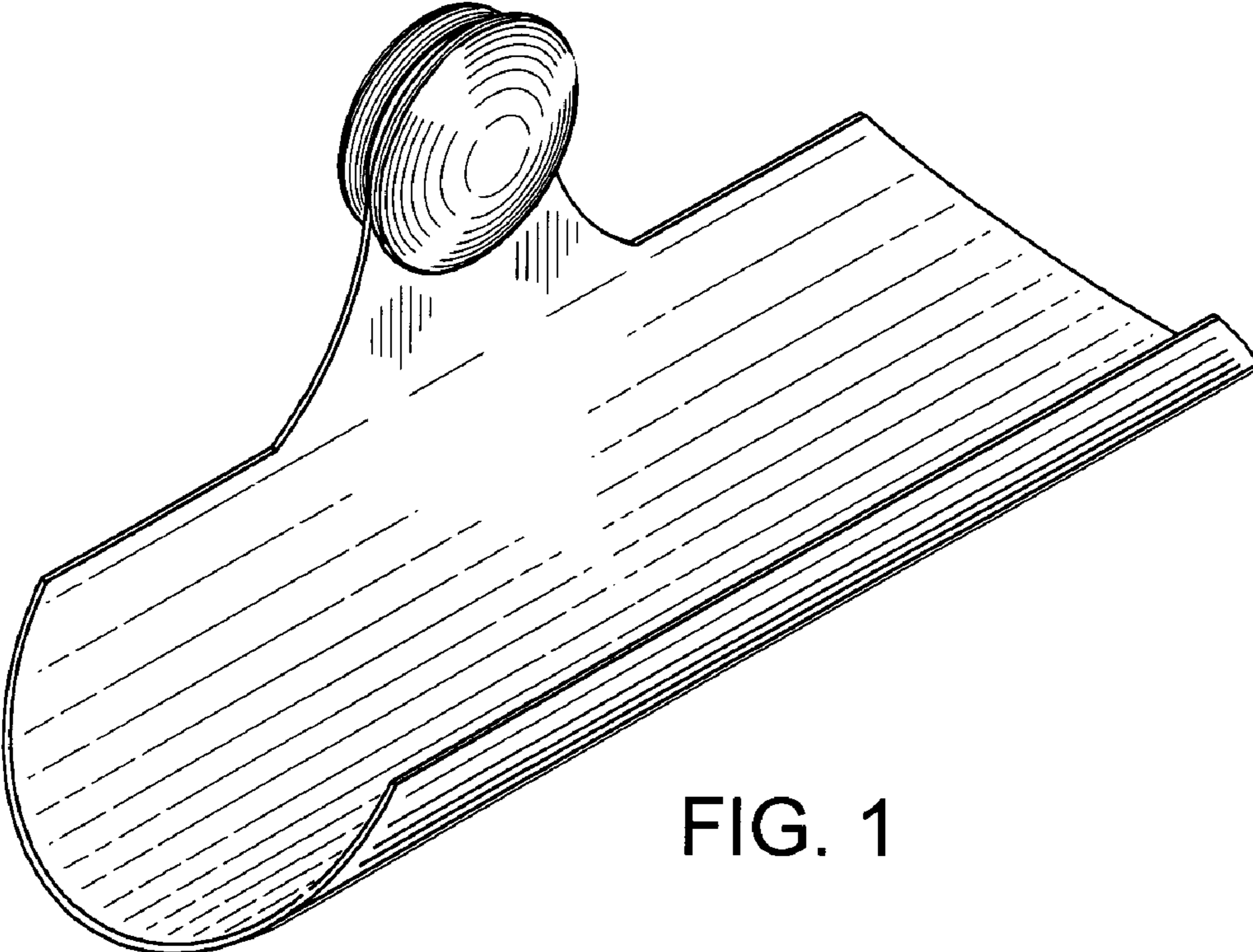


FIG. 1

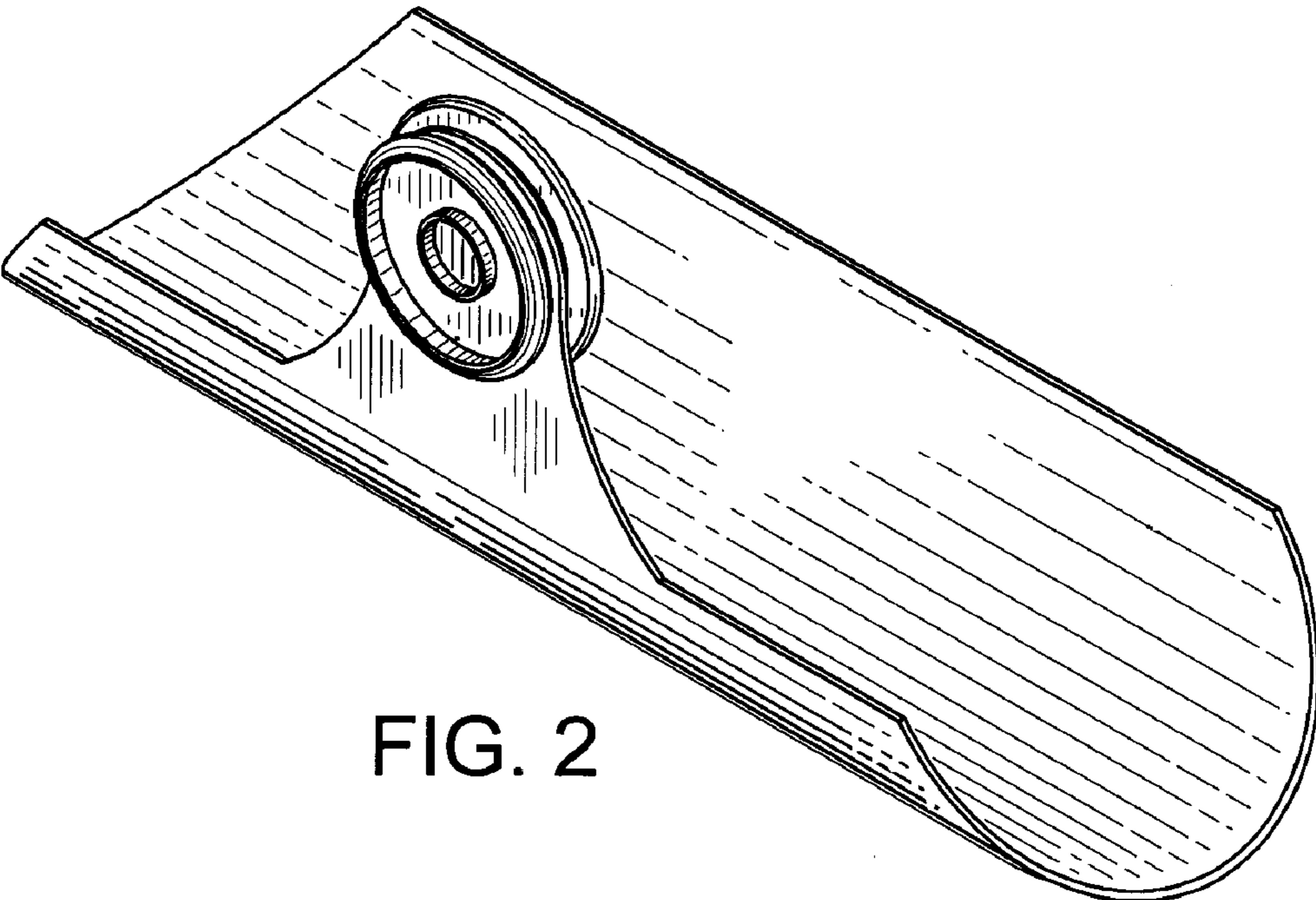


FIG. 2

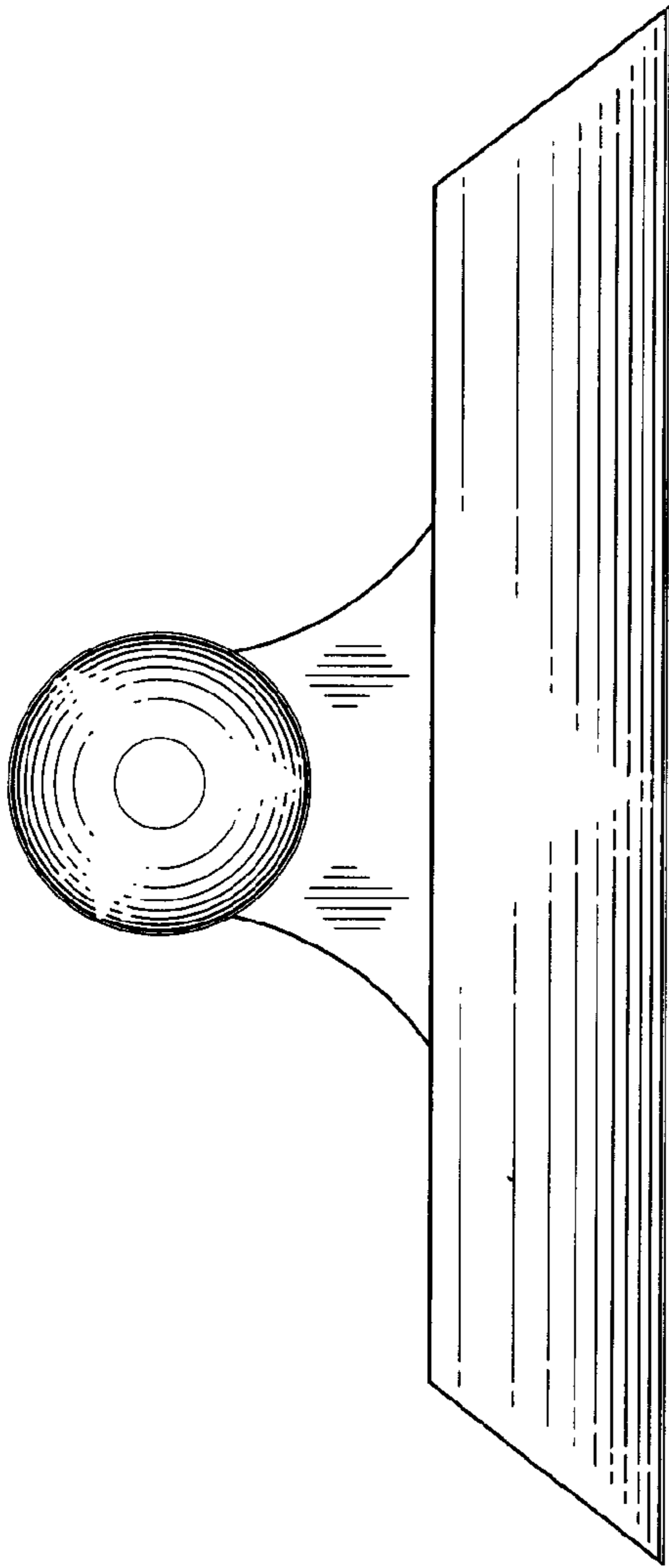


FIG. 3

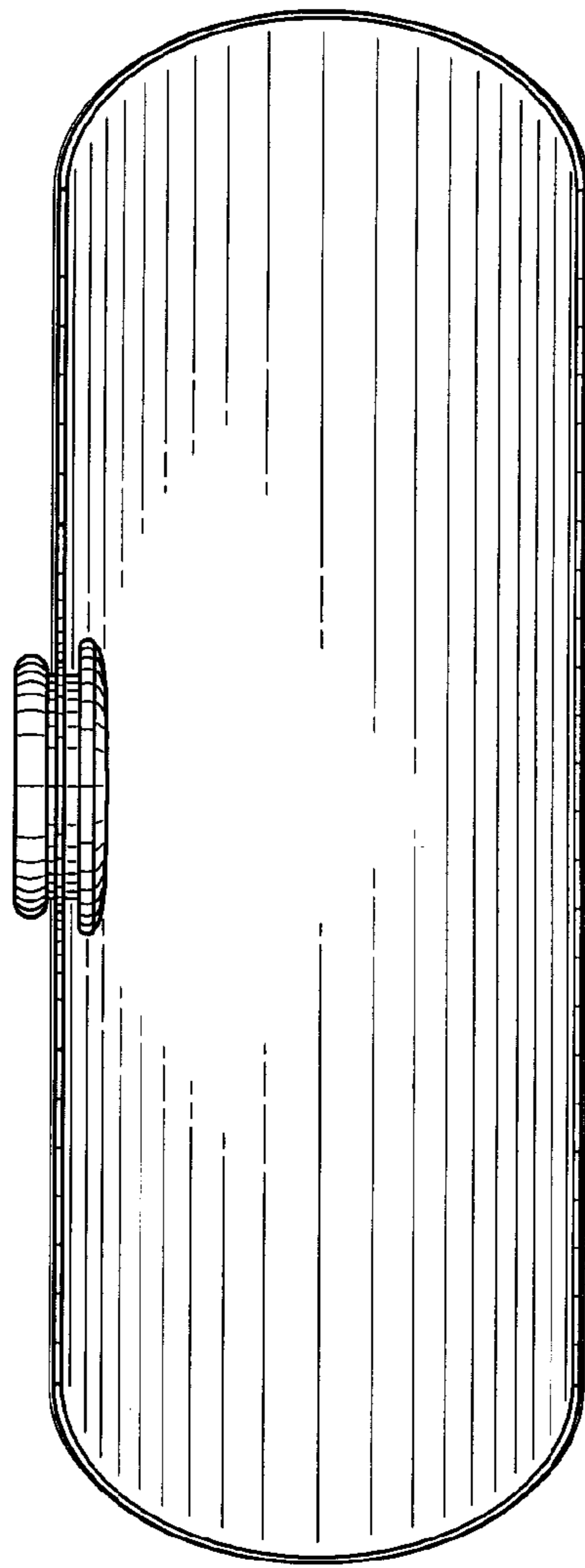


FIG. 4

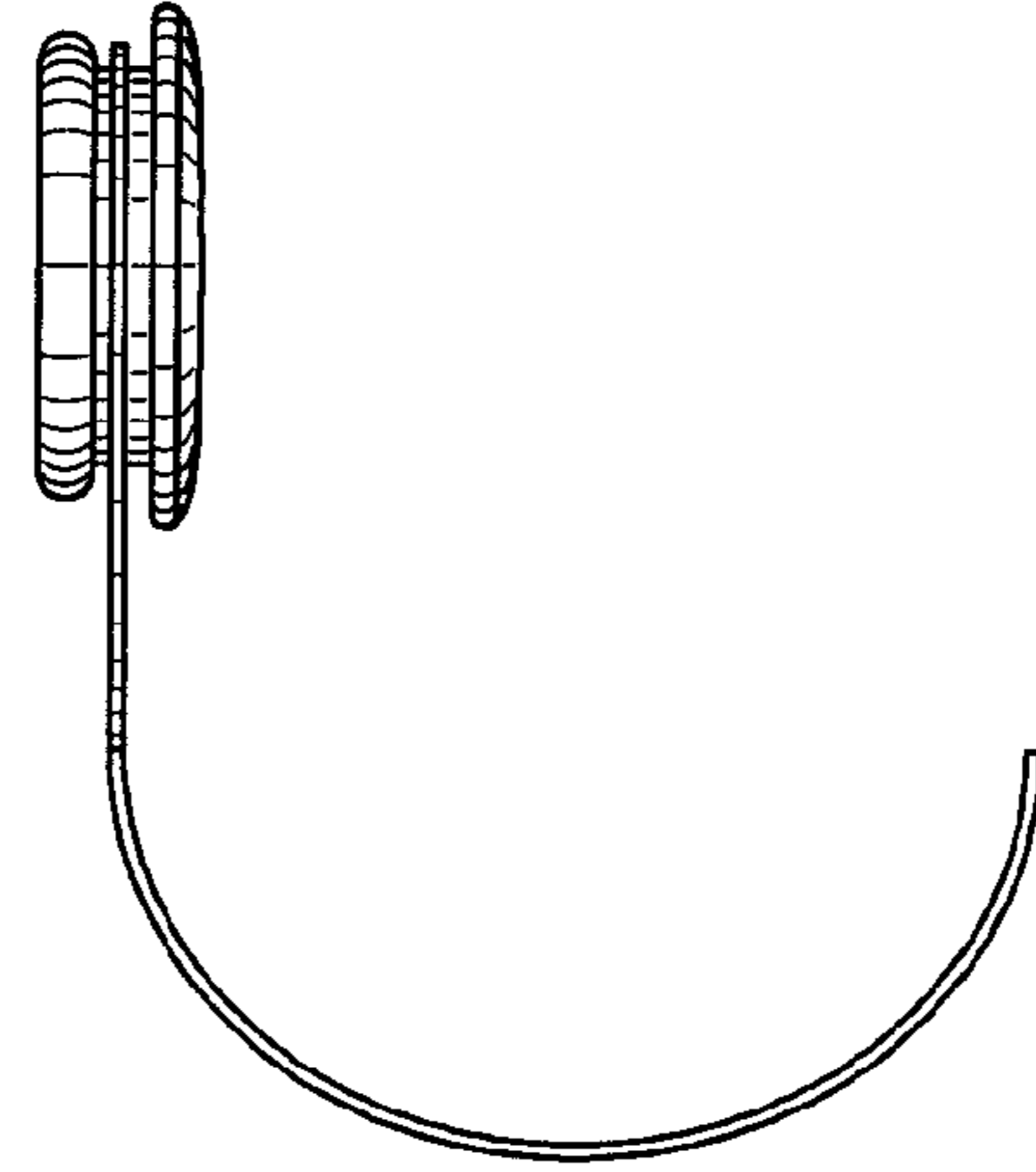


FIG. 5

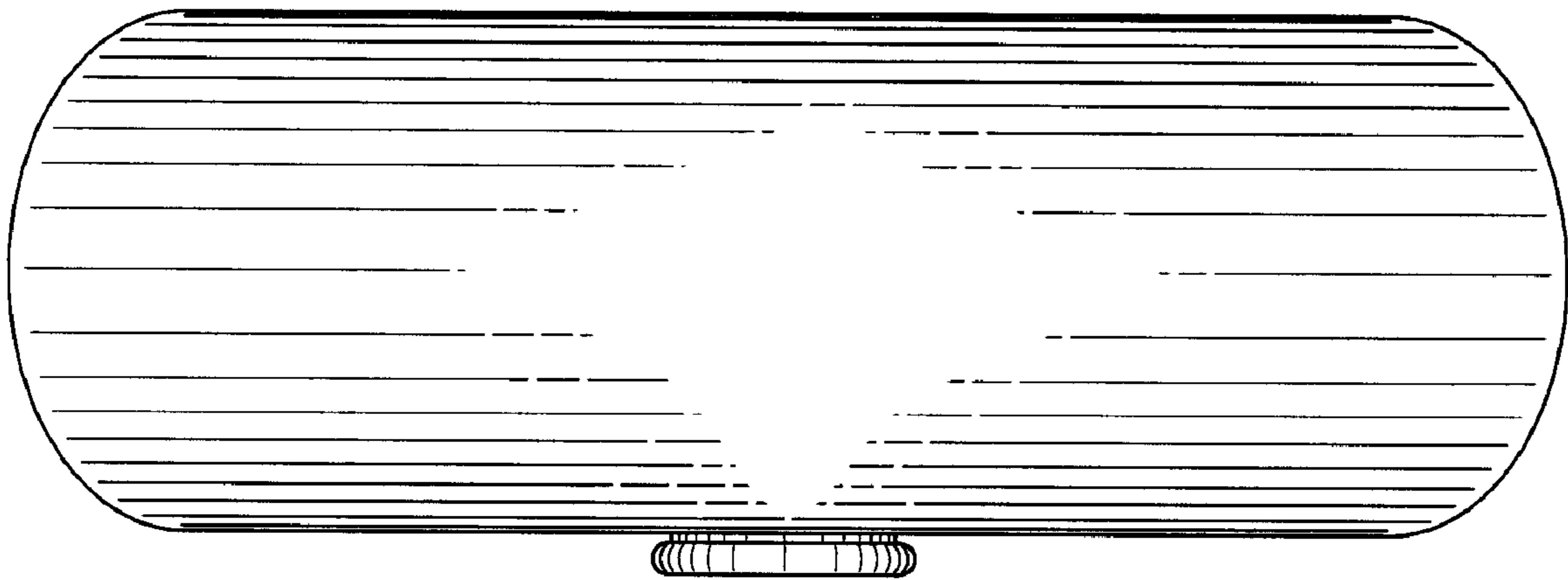


FIG. 6

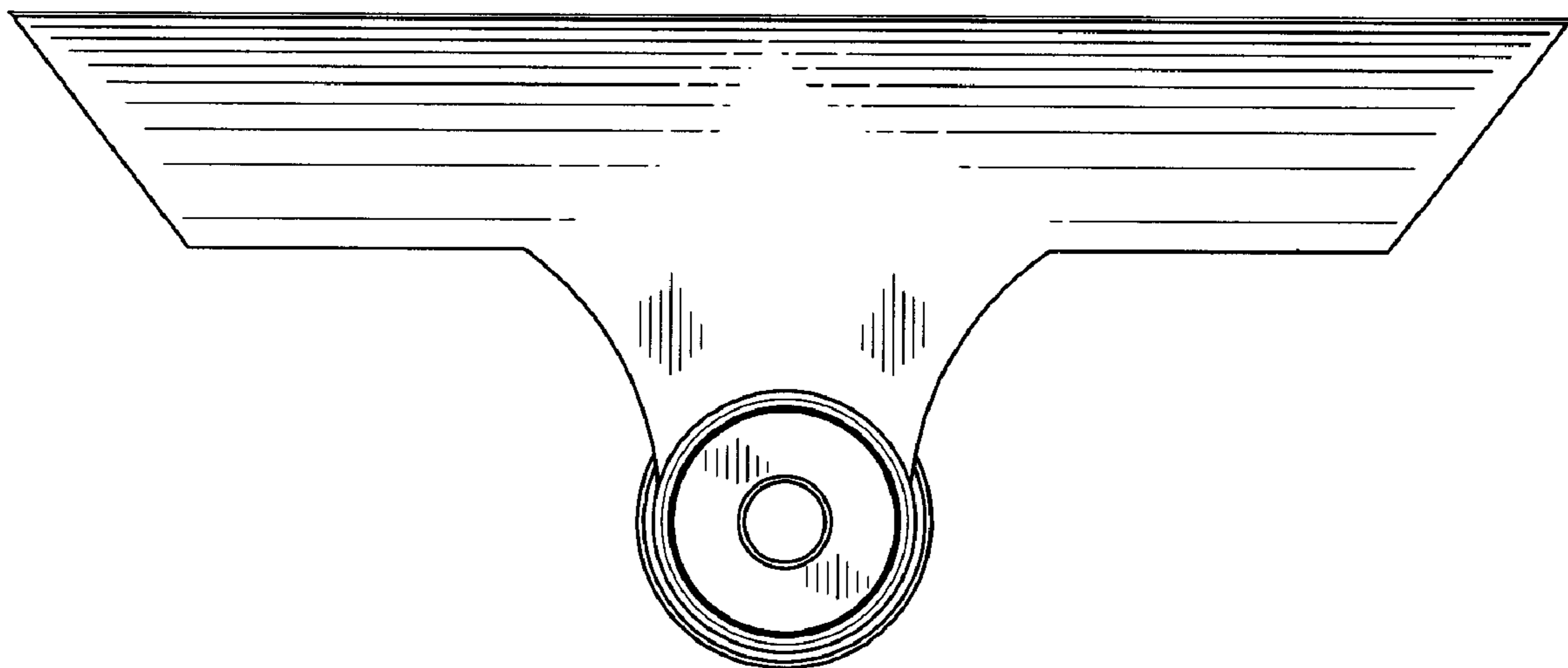


FIG. 7