



US00D550892S

(12) **United States Design Patent**
Schaak et al.

(10) **Patent No.:** **US D550,892 S**

(45) **Date of Patent:** **** Sep. 11, 2007**

(54) **ROPE LIGHT PEDESTAL FOR A LAMP**
(75) Inventors: **Lee Schaak**, New York, NY (US); **Jeff Fu**, Taipei (TW)
(73) Assignee: **Adesso Inc.**, New York, NY (US)

D383,872 S * 9/1997 Lin D26/110
D397,824 S * 9/1998 Von Kluck D26/111
D423,709 S * 4/2000 Jann D26/110
D436,206 S * 1/2001 Huang et al. D26/65
D441,114 S * 4/2001 Chen D26/63
D467,674 S * 12/2002 Hsieh D26/63
D470,264 S * 2/2003 Dolan D26/110

(**) Term: **14 Years**

* cited by examiner

(21) Appl. No.: **29/216,266**

Primary Examiner—Freda S. Nunn

Assistant Examiner—Kevin K. Rudzinski

(22) Filed: **Oct. 29, 2004**

(74) *Attorney, Agent, or Firm*—Darby & Darby

(51) **LOC (8) Cl.** **26-99**

(57) **CLAIM**

(52) **U.S. Cl.** **D26/142**

(58) **Field of Classification Search** D26/142,
D26/106, 112, 110, 58, 102, 103, 65, 64,
D26/63, 109, 107, 22, 24, 93, 113, 118, 138,
D26/140; 362/414, 402, 401, 382, 410, 412,
362/413, 431, 441

The ornamental design for a rope light pedestal for a lamp,
as shown and described.

See application file for complete search history.

DESCRIPTION

FIG. 1 is a front perspective view showing an embodiment
of our new design;

(56) **References Cited**

FIG. 2 is a right side elevational view thereof, the left side
being a mirror image;

U.S. PATENT DOCUMENTS

FIG. 3 is a front elevation view thereof;

D62,446 S * 6/1923 Graff D26/110
D72,489 S * 4/1927 Newland D26/54
D115,213 S * 6/1939 McShane et al. D26/107
3,711,695 A * 1/1973 Orbach 362/129
D312,891 S * 12/1990 Starck D26/106
D316,307 S * 4/1991 Harris et al. D26/101
D337,392 S * 7/1993 Lin D26/106
5,339,233 A * 8/1994 Yang 362/402
D356,389 S * 3/1995 Chen D26/105
D370,286 S * 5/1996 Swanson D26/63
D372,999 S * 8/1996 Swanson D26/58

FIG. 4 is a top plan view with the lamp head removed; and,
FIG. 5 is a bottom plan view.

The broken line showing of hardware (e.g., the switch, the
gooseneck, the lampshade and light fixture) as well as the
position of the hardware relative to the claimed design and
any other broken lines are to show the environment only and
are not part of the claimed design.

1 Claim, 4 Drawing Sheets

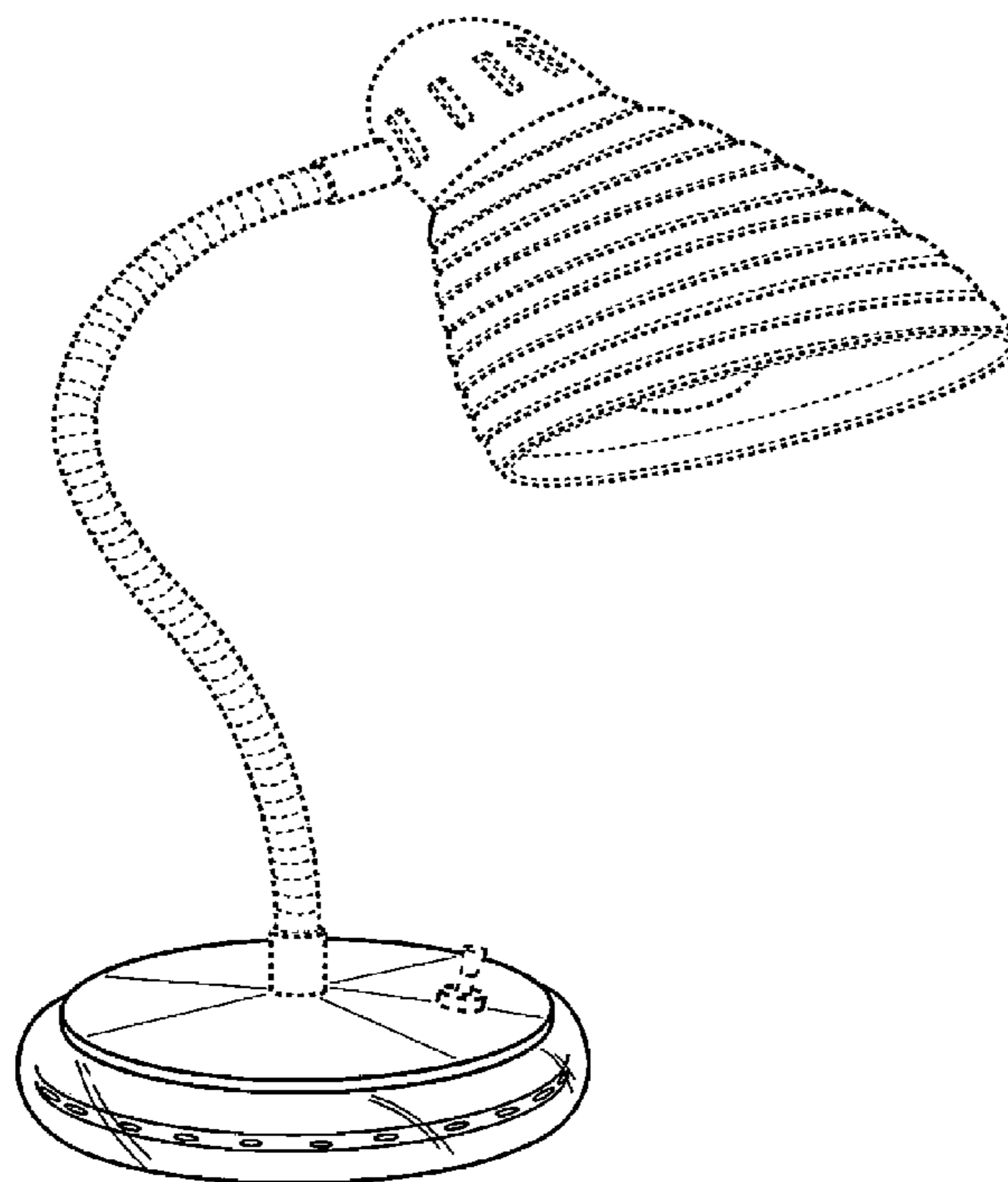


FIG. 1

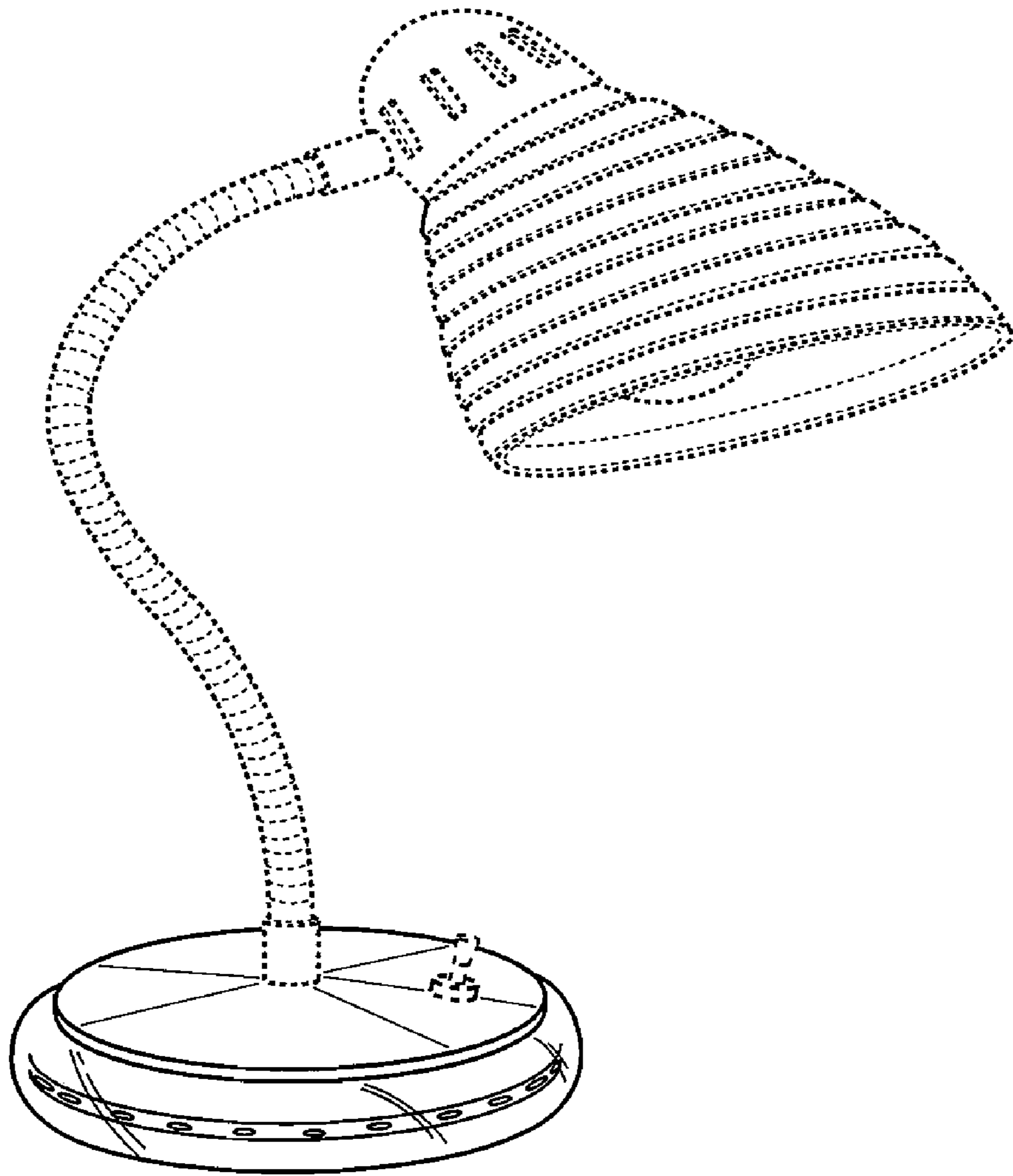


FIG. 2

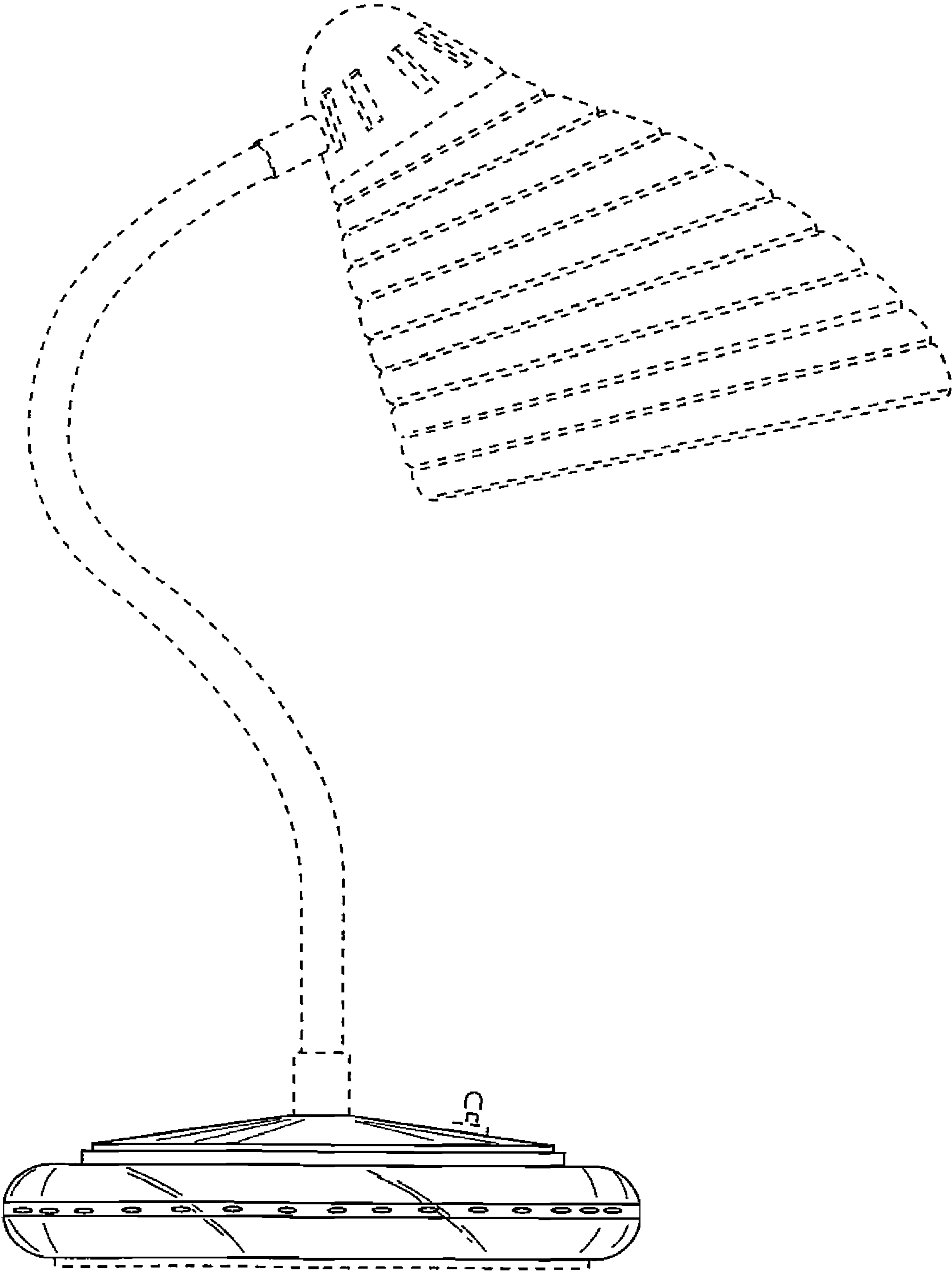


FIG. 3

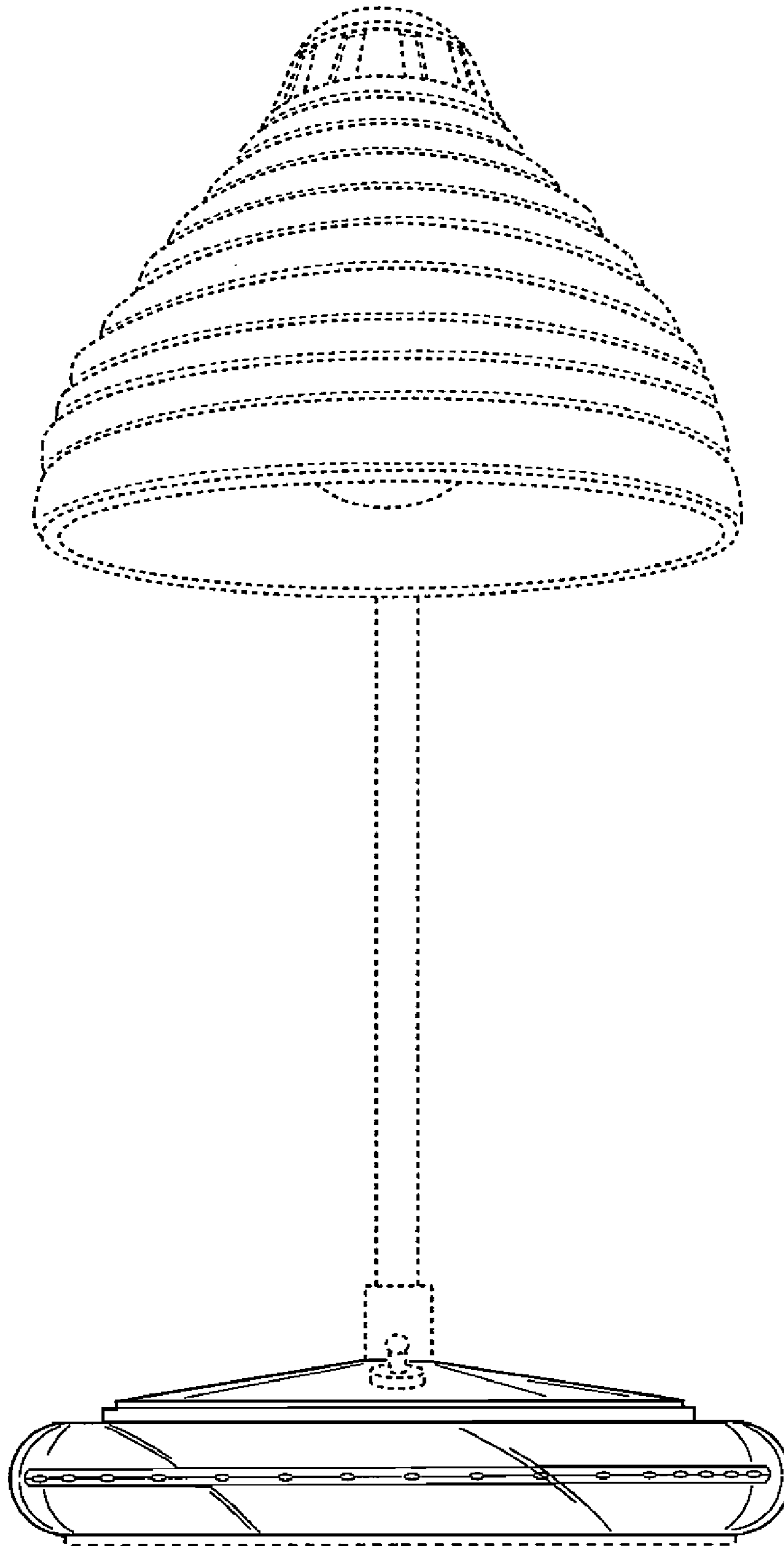


FIG. 4

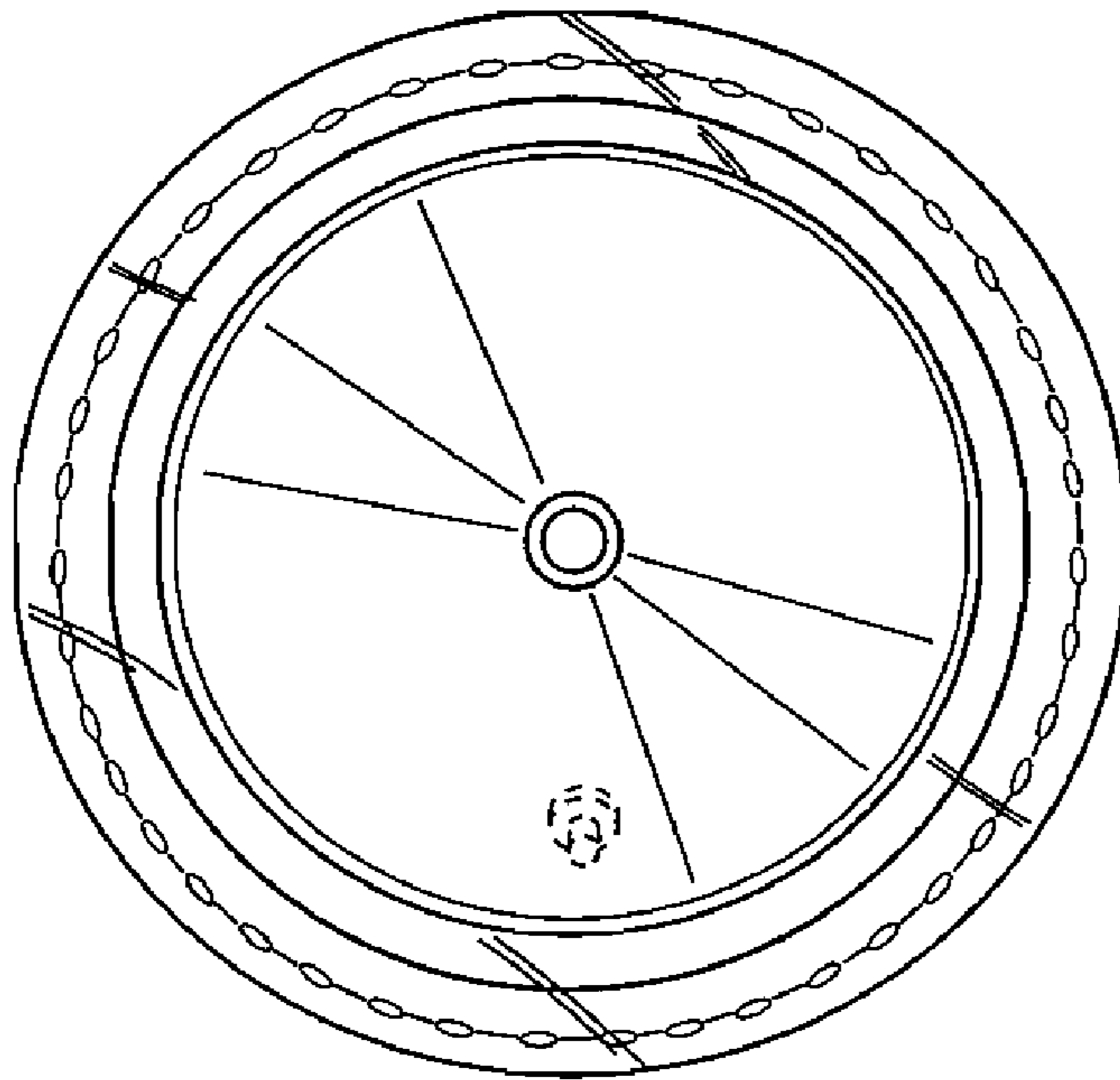


FIG. 5

