



US00D550890S

(12) **United States Design Patent**
Wang

(10) **Patent No.:** **US D550,890 S**

(45) **Date of Patent:** **** Sep. 11, 2007**

(54) **CEILING FAN LIGHT FIXTURE**

(75) Inventor: **Cliff Wang**, Taichung (TW)

(73) Assignee: **Air Cool Industrial Co., Ltd.**,
Taichung (TW)

(**) Term: **14 Years**

(21) Appl. No.: **29/224,585**

(22) Filed: **Mar. 3, 2005**

(51) **LOC (8) Cl.** **26-03**

(52) **U.S. Cl.** **D26/83; D26/59**

(58) **Field of Classification Search** D26/80-86,
D26/88, 90, 91, 134, 59; D23/377, 411;
362/147, 404-408, 432, 806

See application file for complete search history.

(56) **References Cited**

U.S. PATENT DOCUMENTS

D51,077 S *	7/1917	Owen	D26/134
D56,431 S *	10/1920	Hawe	D26/134
D61,015 S *	5/1922	Gillinder	D26/134
D78,218 S *	4/1929	McFadden	D26/84
D418,241 S *	12/1999	Thomas	D26/84
D421,115 S *	2/2000	Gee, II	D23/411
D424,737 S *	5/2000	Hsu	D26/134
D428,517 S *	7/2000	De'Armond	D26/134

D434,490 S *	11/2000	Tsuji et al.	D23/411
D435,133 S *	12/2000	Miranda	D26/84
D470,967 S *	2/2003	Rose	D26/81
D520,668 S *	5/2006	Brunner	D26/81

OTHER PUBLICATIONS

Light Fixture No.F1833/4 ORB from the Dorchester Collection on p. 96 of the 2004 Edition of "the Big Book" by Murray Feiss.*

* cited by examiner

Primary Examiner—Clare E Heflin

(74) *Attorney, Agent, or Firm*—Parsons & Goltry; Michael W. Goltry; Robert A. Parsons

(57) **CLAIM**

The ornamental design for a ceiling fan light fixture, as shown and described.

DESCRIPTION

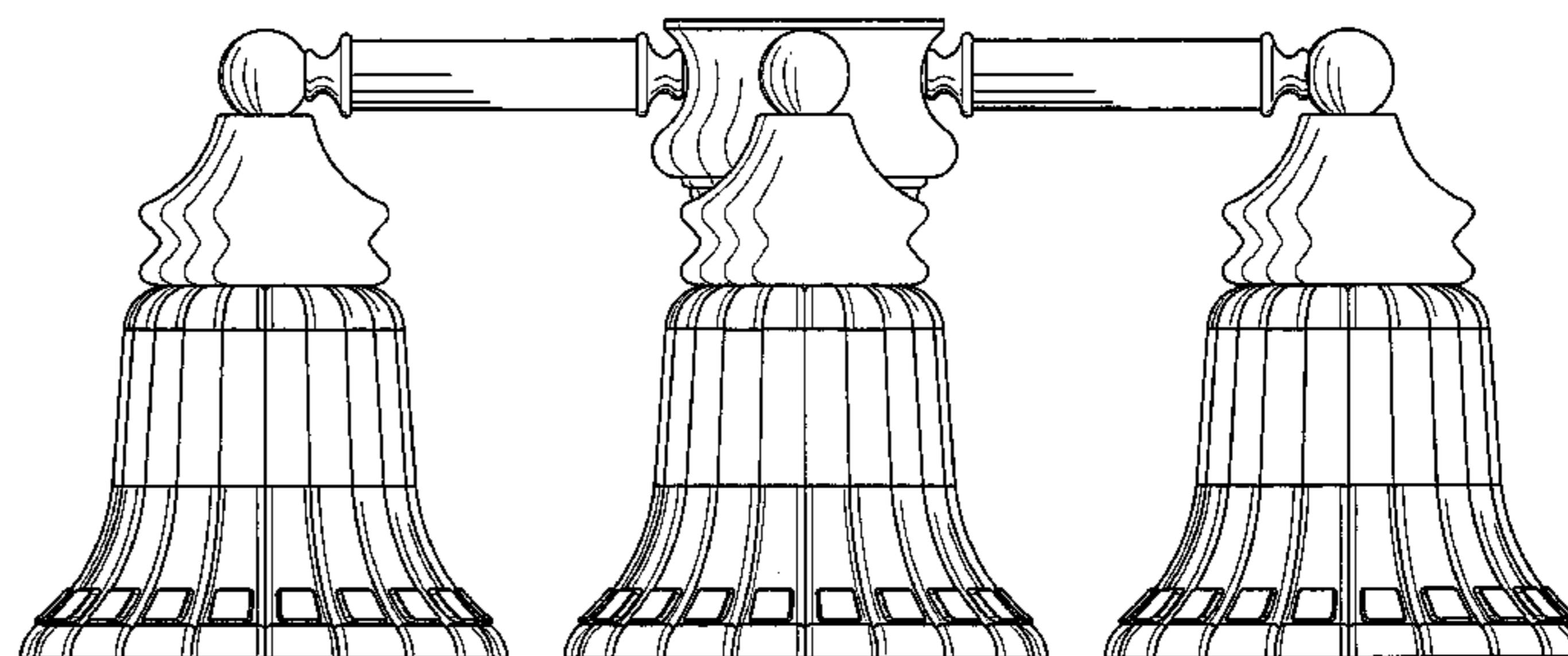
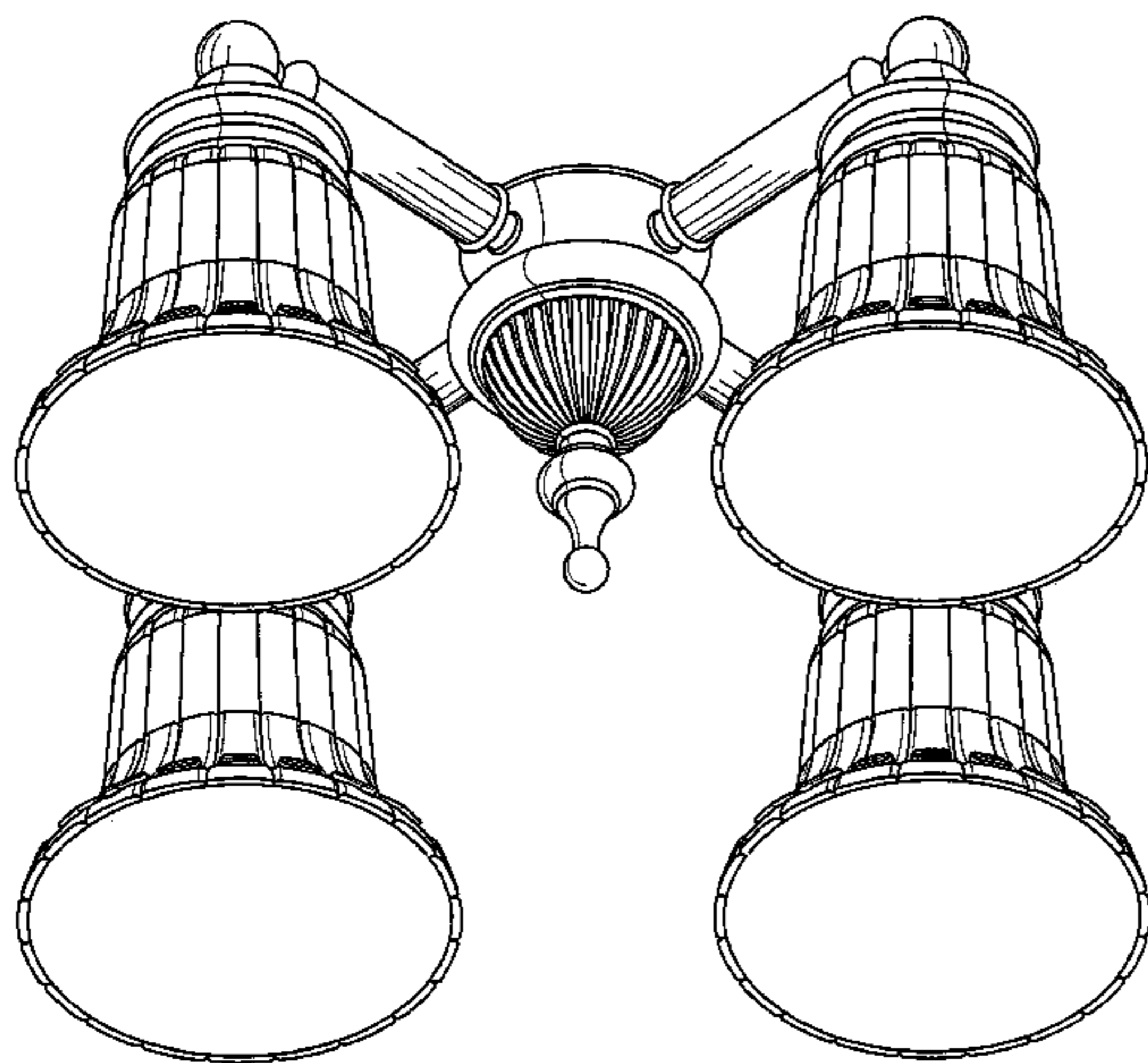
FIG. 1 is a bottom perspective view of a ceiling fan light fixture showing my new design;

FIG. 2 is a front elevational view thereof, the rear elevational view, the left side elevational view, and the right side elevational view being substantially the same thereof;

FIG. 3 is a bottom plan view thereof; and,

FIG. 4 is a top plan view thereof.

1 Claim, 3 Drawing Sheets



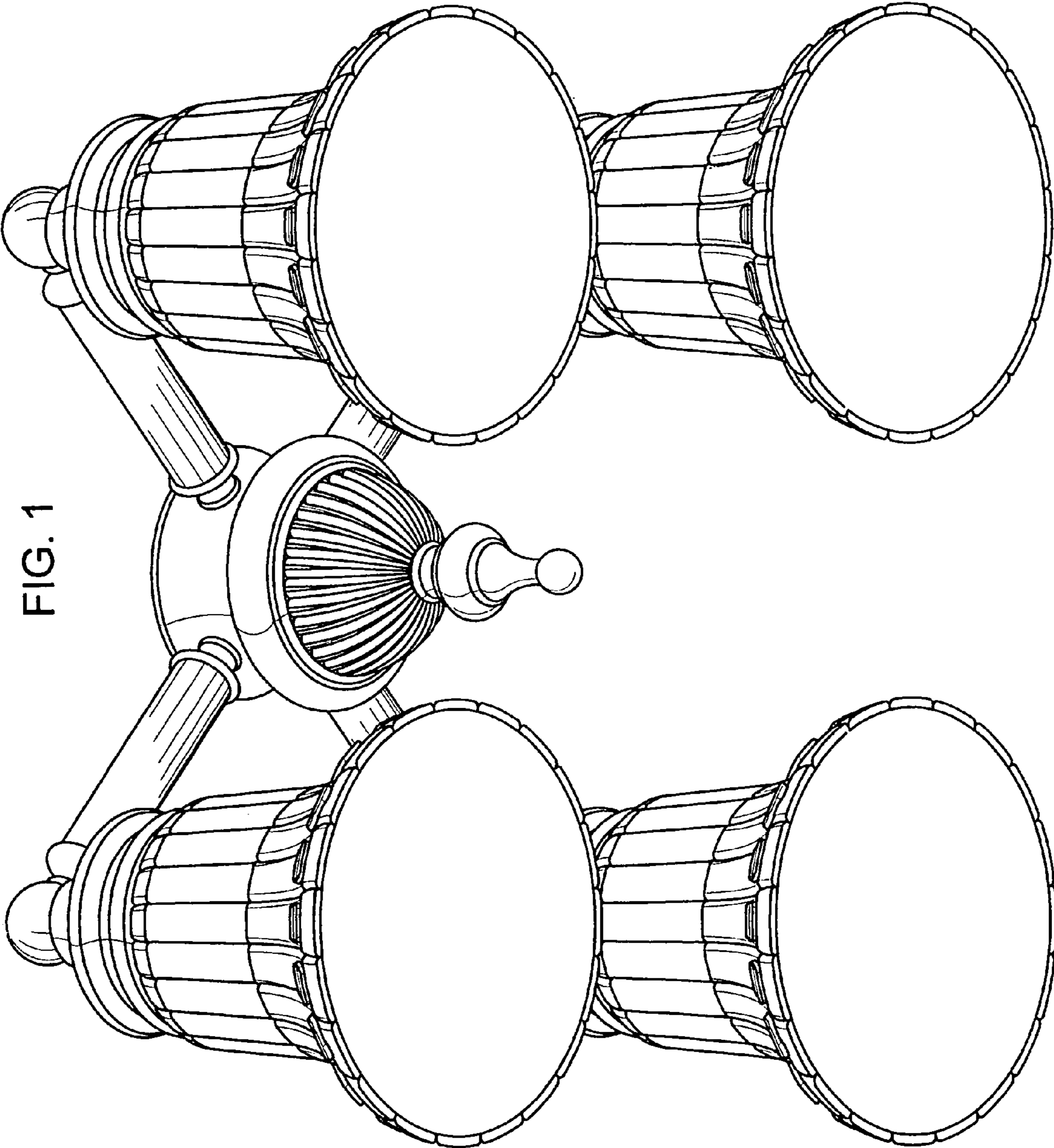


FIG. 1

FIG. 2

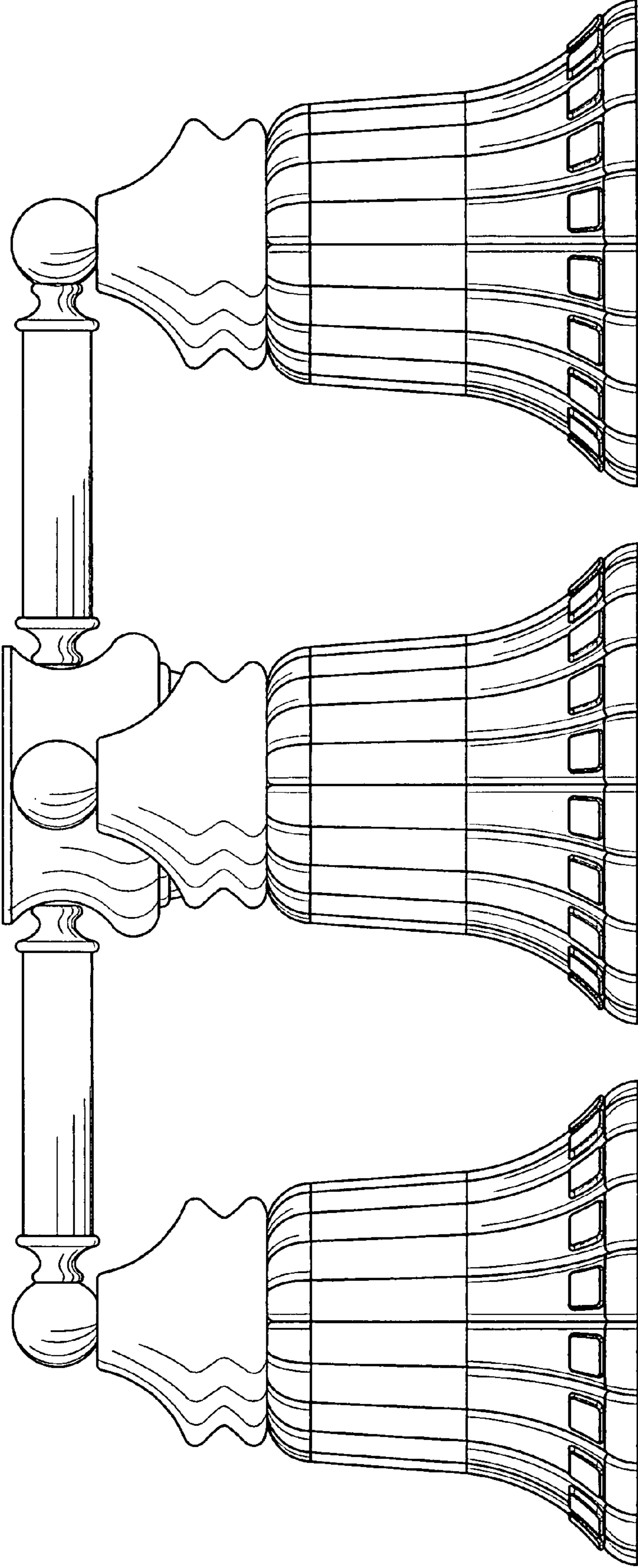


FIG. 4

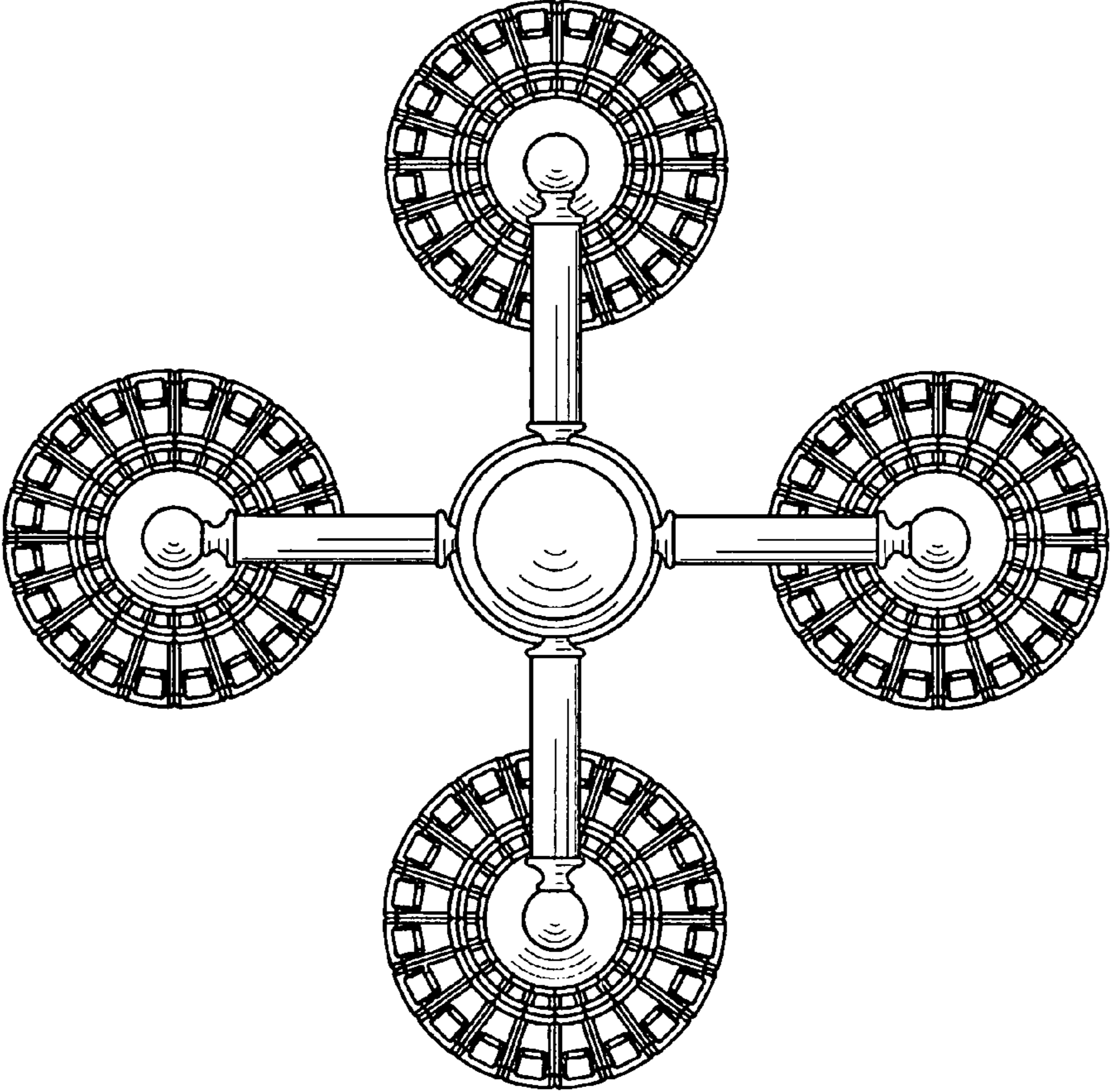


FIG. 3

