



US00D550888S

(12) **United States Design Patent**  
**Miranda**

(10) **Patent No.:** **US D550,888 S**

(45) **Date of Patent:** **\*\* Sep. 11, 2007**

(54) **LIGHTING FIXTURE**

(76) Inventor: **Pasquale Miranda**, 63-2nd St., Garden City, NY (US) 11530

(\*\*) Term: **14 Years**

(21) Appl. No.: **29/270,258**

(22) Filed: **Dec. 19, 2006**

(51) **LOC (8) Cl.** ..... **26-03**

(52) **U.S. Cl.** ..... **D26/81**

(58) **Field of Classification Search** ..... D26/80-86,  
D26/88, 90, 91, 134; 362/147, 404-408,  
362/432, 806

See application file for complete search history.

(56) **References Cited**

**U.S. PATENT DOCUMENTS**

D385,380 S	*	10/1997	Porter et al.	.....	D26/81
D416,346 S	*	11/1999	Palacios	.....	D26/84
D514,245 S	*	1/2006	Miranda	.....	D26/87
D534,295 S	*	12/2006	Chen	.....	D26/81
D534,674 S	*	1/2007	Miranda	.....	D26/81

**OTHER PUBLICATIONS**

Chandelier No. 3176-85 on p. 50 of the Seagull Lighting 2004 Catalog.\*

Chandelier No. F1836/3 CB on p. 7 of the 2004 Edition of "The Big Book" by Murray Feiss.\*

The "Oval Chandeliers" on p. 91 of the Hubbardton Forge 2005 Catalog.\*

\* cited by examiner

*Primary Examiner*—Clare E Heflin

(57) **CLAIM**

The ornamental design of a lighting fixture, as shown and described.

**DESCRIPTION**

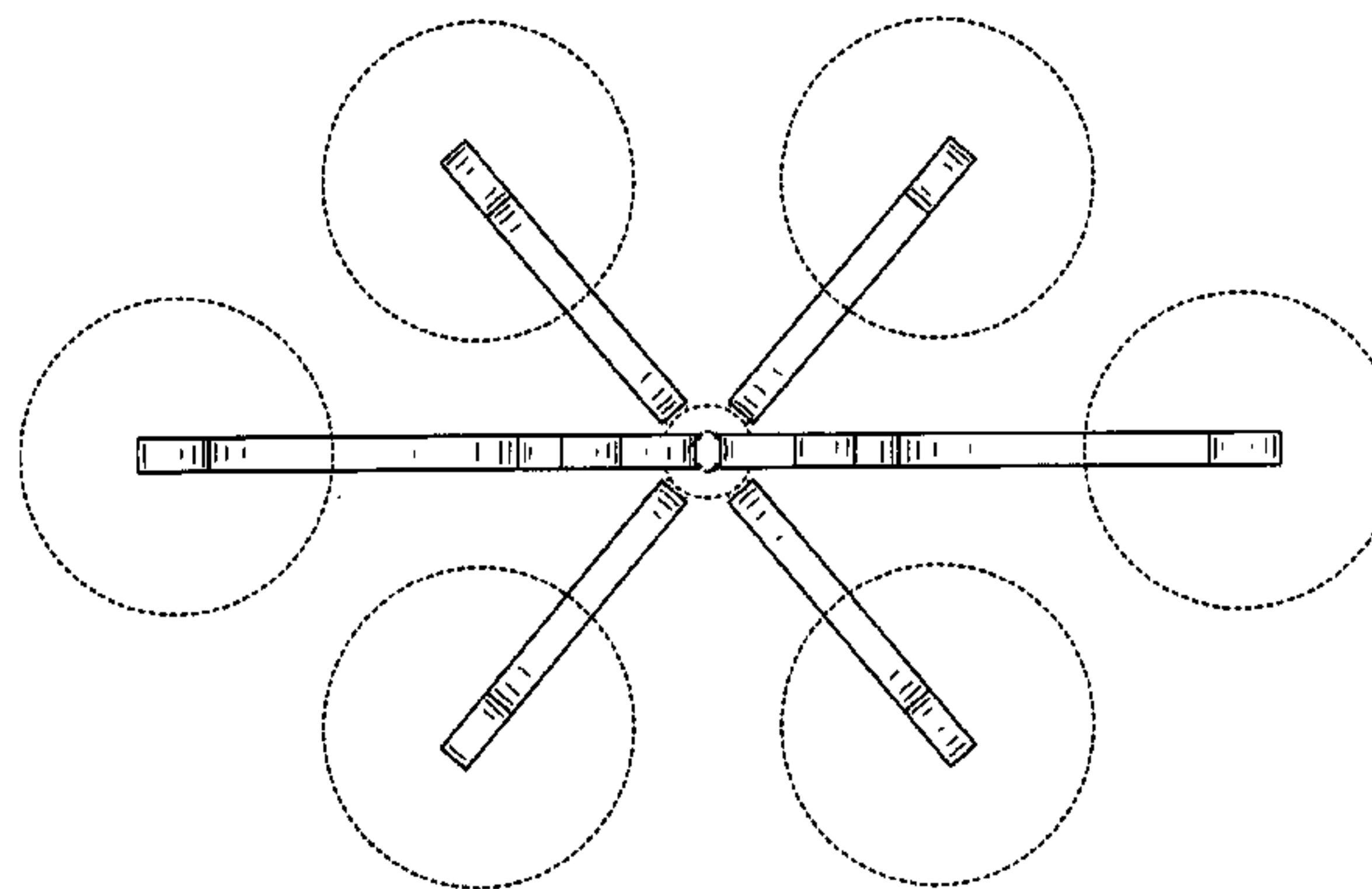
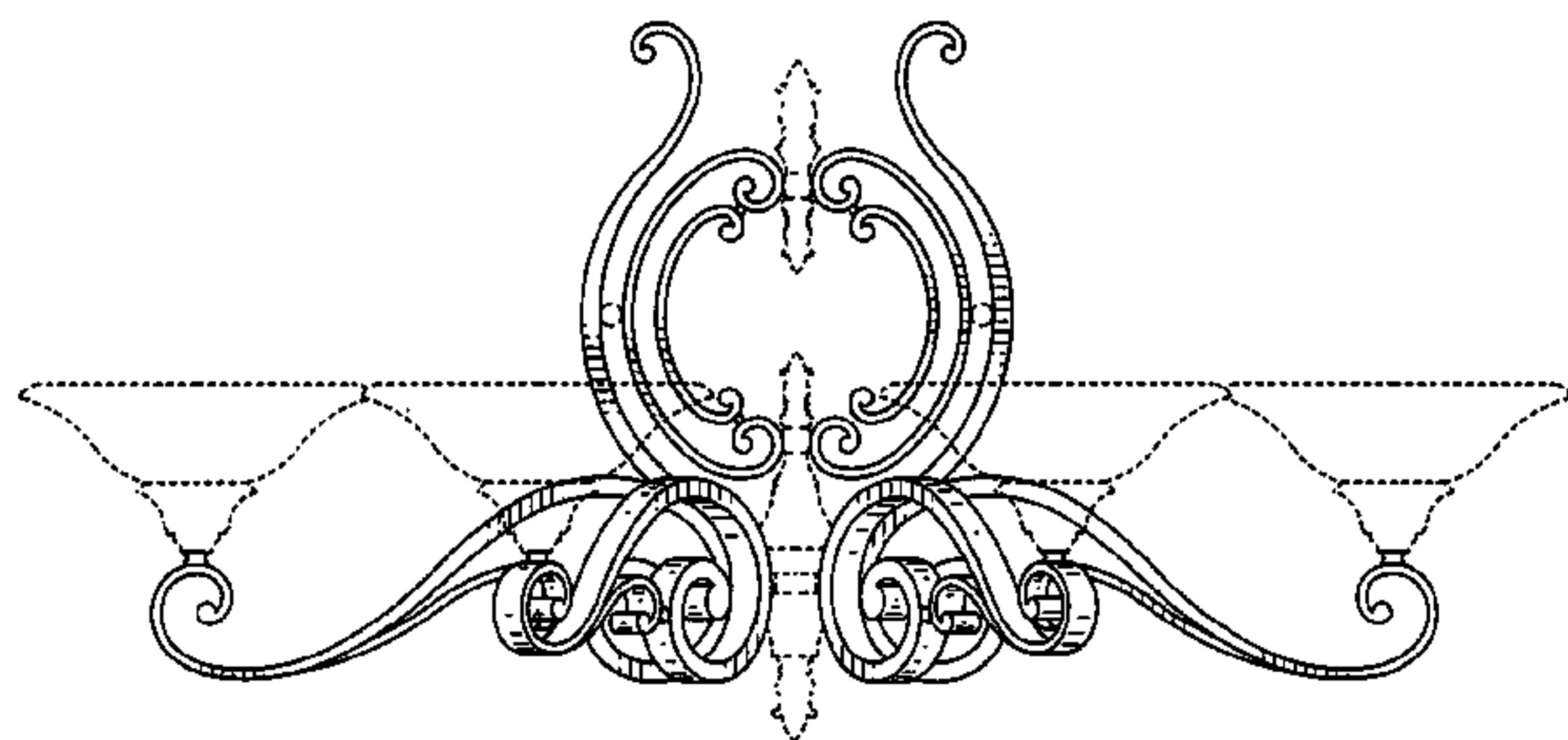
FIG. 1 is a front elevational view of lighting fixture showing my new design, the rear elevational view being a mirror image;

FIG. 2 is a side elevational view thereof; and,

FIG. 3 is a top plan view thereof.

The broken-line showing of environmental structures in FIGS. 1-3 is for illustrative purposes only and forms no part of the claimed design.

**1 Claim, 3 Drawing Sheets**



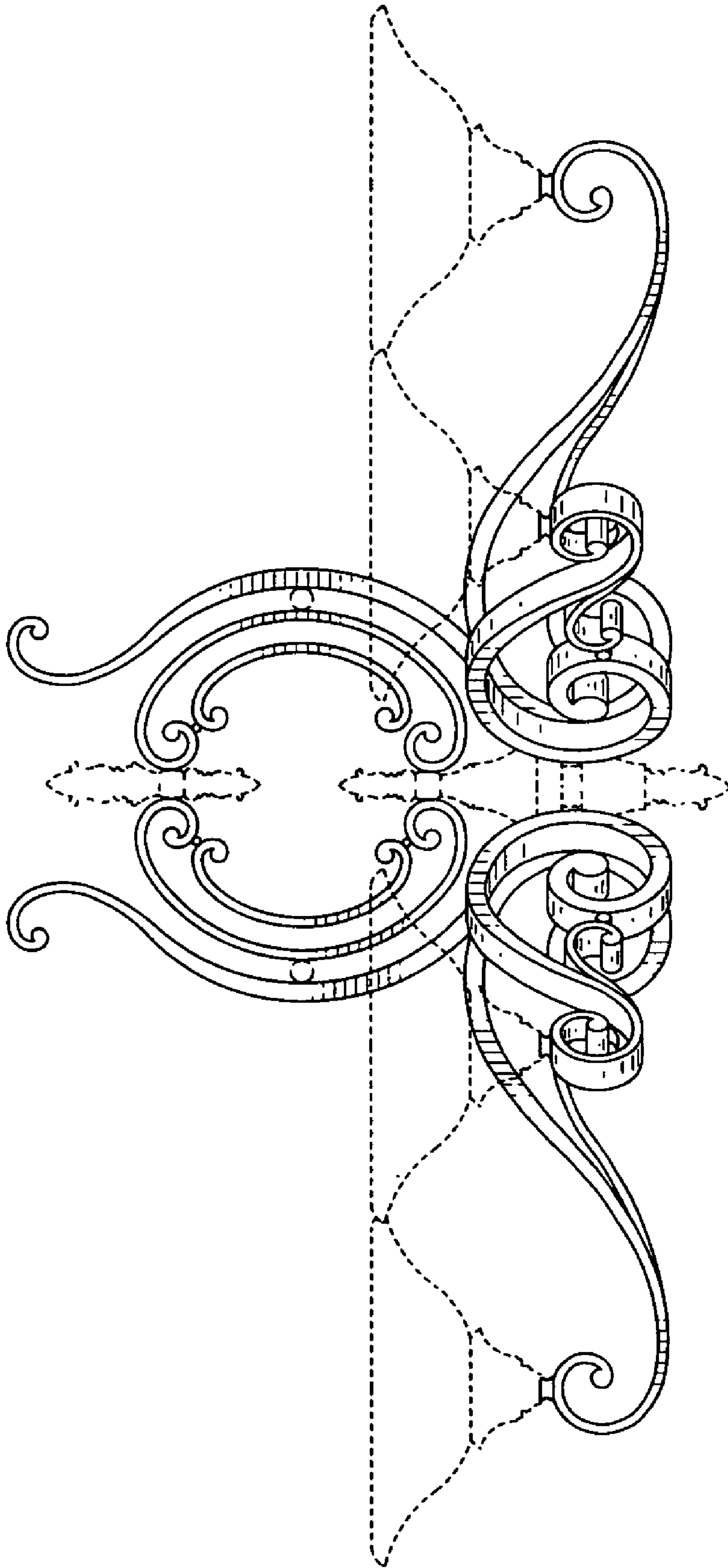
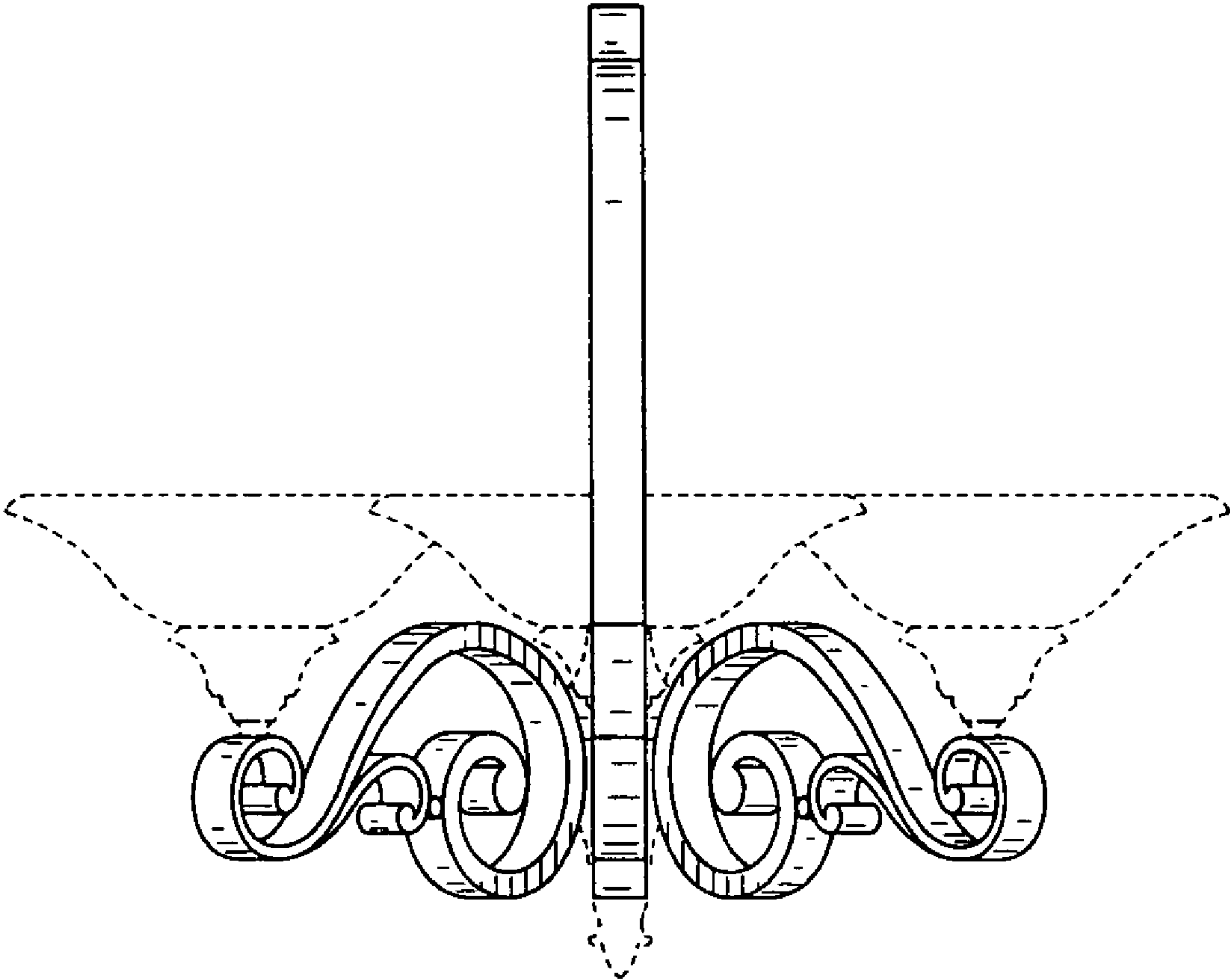


FIG. 1



**FIG. 2**

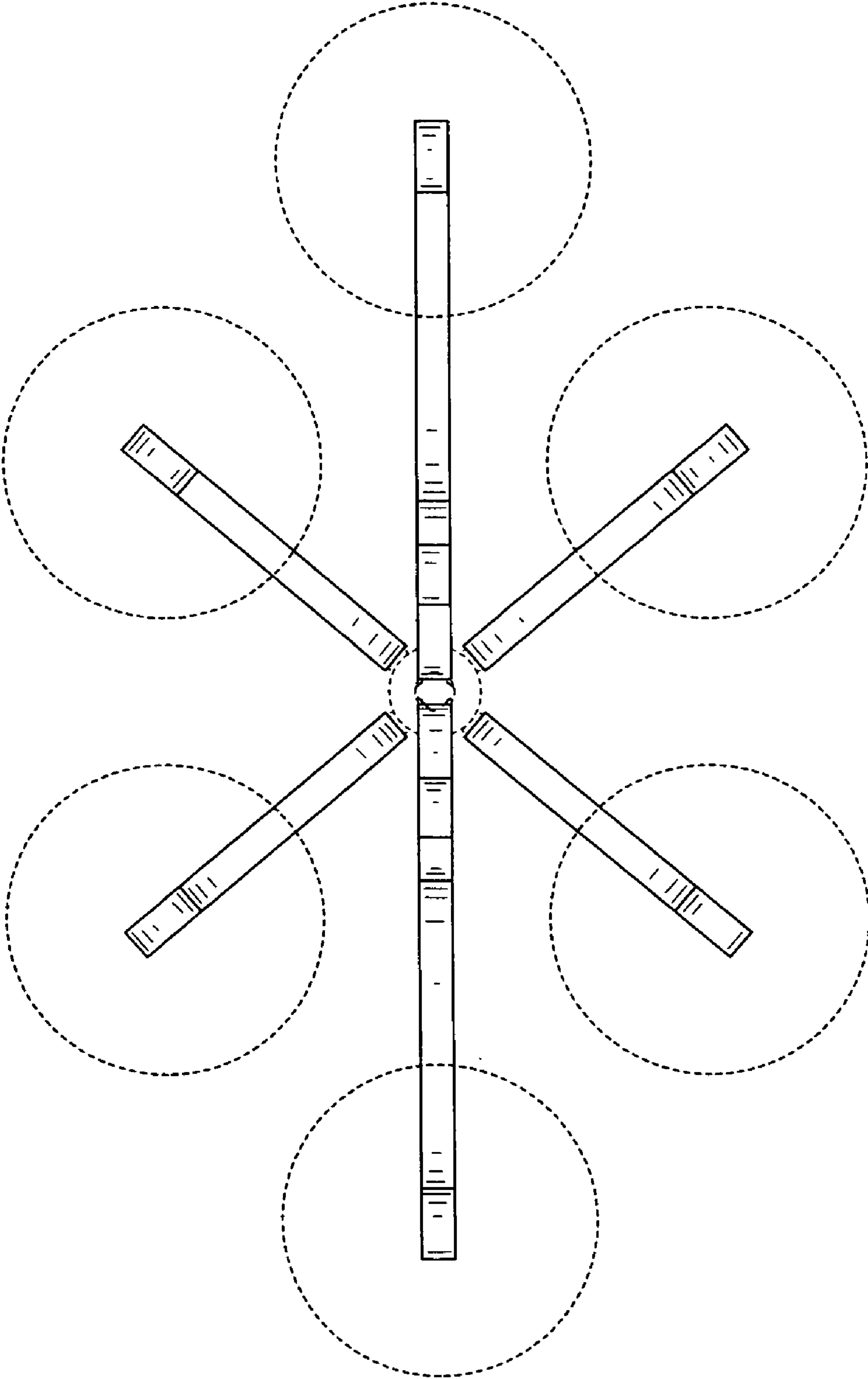


FIG. 3