



US00D550885S

(12) **United States Design Patent**
Crosby

(10) **Patent No.:** **US D550,885 S**

(45) **Date of Patent:** **** Sep. 11, 2007**

(54) **LIGHTING FIXTURE**

D505,744 S * 5/2005 Kan D26/76

(75) Inventor: **Doyle Crosby**, San Rafael, CA (US)

OTHER PUBLICATIONS

(73) Assignee: **Boyd Lighting Fixture Company**, San Francisco, CA (US)

Crosby, Doyle; Baton Sconce Lighting Fixture; Model No. 9755; Manufactured by Boyd Lighting Fixture Company, 2-page brochure, (1996).

(**) Term: **14 Years**

* cited by examiner

(21) Appl. No.: **29/226,425**

Primary Examiner—Louis S. Zarfes

Assistant Examiner—Susan E Krakower

(22) Filed: **Mar. 29, 2005**

(74) *Attorney, Agent, or Firm*—Heslin Rothenberg Farley & Mesiti P.C.

(51) **LOC (8) Cl.** **26-03**

(52) **U.S. Cl.** **D26/76; D26/75; D26/78**

(58) **Field of Classification Search** D26/72,
D26/74–79; 362/271–225, 283, 147, 363
See application file for complete search history.

(57) **CLAIM**

The ornamental design for a lighting fixture, as shown and described.

(56) **References Cited**

DESCRIPTION

U.S. PATENT DOCUMENTS

FIG. 1 is a perspective view of a lighting fixture comprising the new design;

3,996,493	A	*	12/1976	Davenport et al.	315/58
D258,009	S	*	1/1981	Wotowiec et al.	D26/75
D280,025	S	*	8/1985	Waters	D26/24
D342,332	S	*	12/1993	Zahn et al.	D26/42
D356,382	S	*	3/1995	Jaksich	D26/75
D381,734	S	*	7/1997	Murphy	D22/134
5,727,869	A		3/1998	Crosby et al.	362/217
D438,326	S	*	2/2001	Kan	D26/76
D459,516	S	*	6/2002	Demers et al.	D26/75
D465,038	S	*	10/2002	Bragg et al.	D26/27

FIG. 2 is a front elevational view thereof;

FIG. 3 is a left side elevational view thereof, a right side elevational view being a mirror image thereof; and,

FIG. 4 is a top view thereof, a bottom view being a mirror image thereof.

In the drawings figures, the lighting fixture is shown broken away to depict indeterminate length.

1 Claim, 4 Drawing Sheets

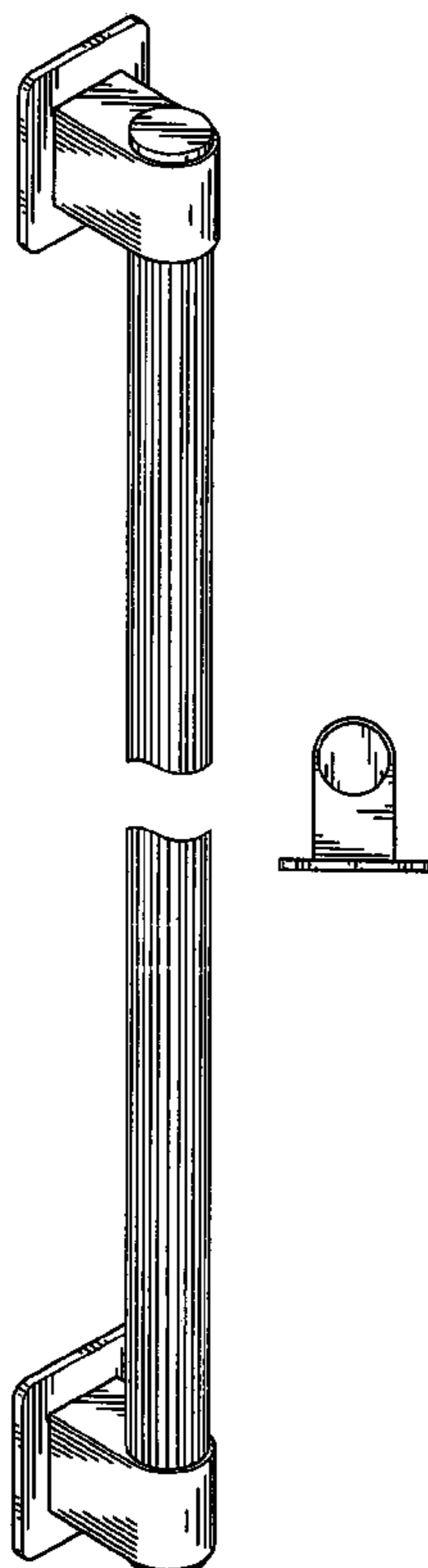


FIG. 1

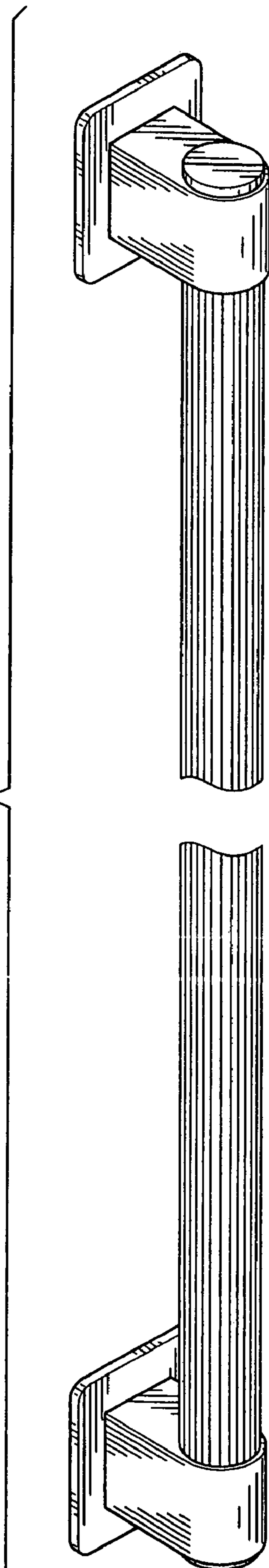


FIG. 2

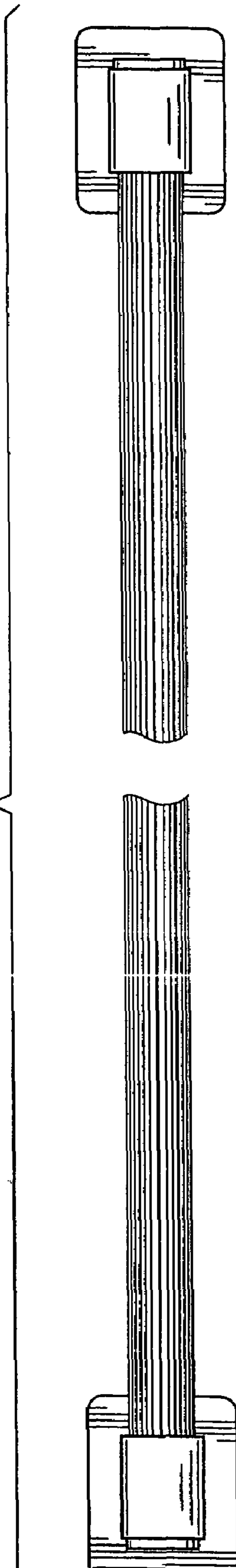
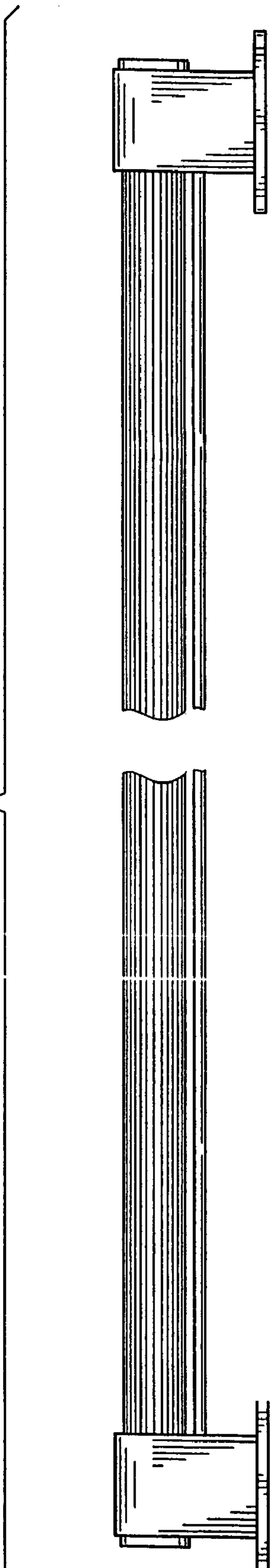


FIG. 3



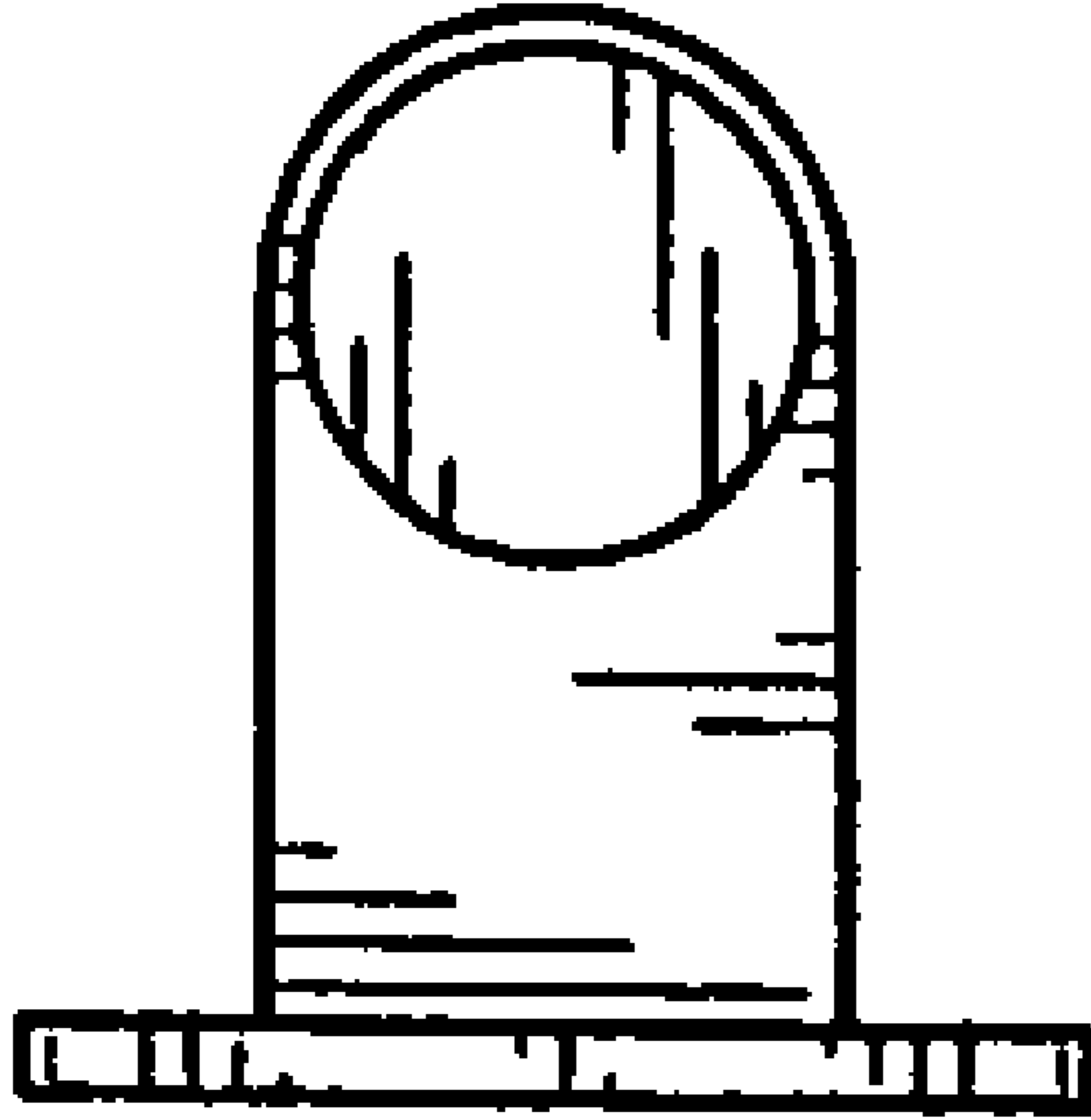


FIG. 4