

US00D550883S

(12) **United States Design Patent**
Nunes

(10) **Patent No.:** **US D550,883 S**

(45) **Date of Patent:** **** Sep. 11, 2007**

(54) **CEMENT MIXER TRUCK-SIMULATING LIGHTING FIXTURE**

(75) Inventor: **Brendon Nunes**, Ajax (CA)

(73) Assignee: **Trintec Industries, Inc.**, Ajax, Ontario (CA)

(**) Term: **14 Years**

(21) Appl. No.: **29/255,009**

(22) Filed: **Mar. 3, 2006**

(51) **LOC (8) Cl.** **26-05**

(52) **U.S. Cl.** **D26/73; D26/97**

(58) **Field of Classification Search** D26/4,
D26/26, 57, 73, 94, 97, 101; 362/147, 644,
362/653, 806, 812

See application file for complete search history.

(56) **References Cited**

U.S. PATENT DOCUMENTS

D152,390 S *	1/1949	Brenner	D26/97
D257,735 S	12/1980	Breneman		
D287,058 S *	12/1986	Silverman	D26/47
D291,547 S	8/1987	Silbernagel		
D308,113 S *	5/1990	Lewis, Jr.	D26/73
D356,654 S *	3/1995	Chiang	D26/97
D481,153 S	10/2003	Wilson		
D493,561 S *	7/2004	Sehl	D26/97

OTHER PUBLICATIONS

www.turbosquid.com; three toy cement mixer truck photos, including (C) 2003 Geo-metrics truck.

http://collector-connection.site.yahoo.com; photographs of two lamps.

Diecast Direct, Inc. Item No. N384, "Mercedes Mixer" toy truck photograph, (C) 2003.

Tootsie Toy, toy cement mixer truck photograph, from iSold It of Chatsworth e-Bay store.

* cited by examiner

Primary Examiner—Clare E Heflin

(57) **CLAIM**

The ornamental design for a cement mixer truck-simulating lighting fixture, as shown and described.

DESCRIPTION

FIG. 1 is a top-side perspective view of a dump truck-simulating lighting fixture showing my new design;

FIG. 2 is a front elevational view;

FIG. 3 is a left side elevational view thereof, the opposite side being plain and unornamented;

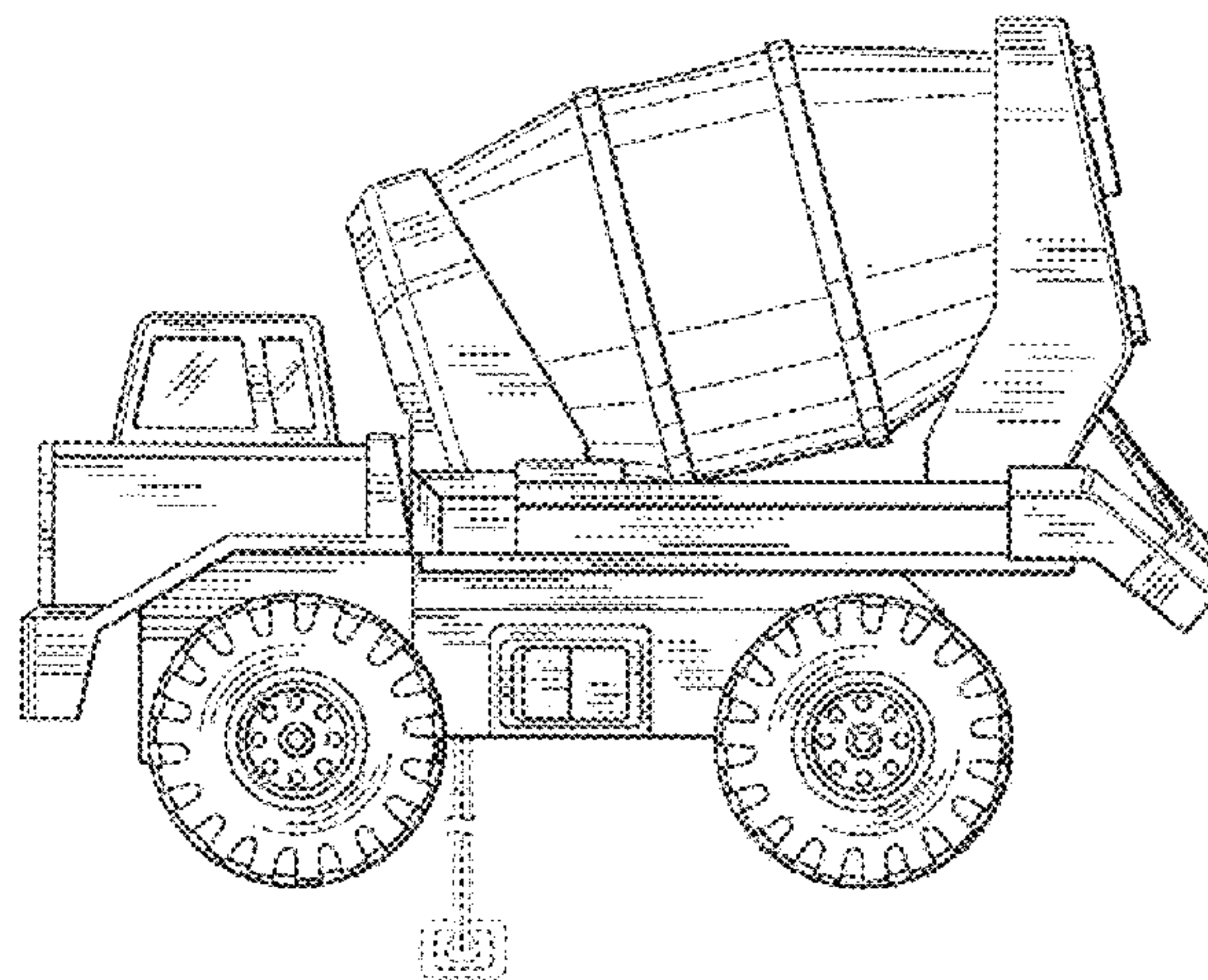
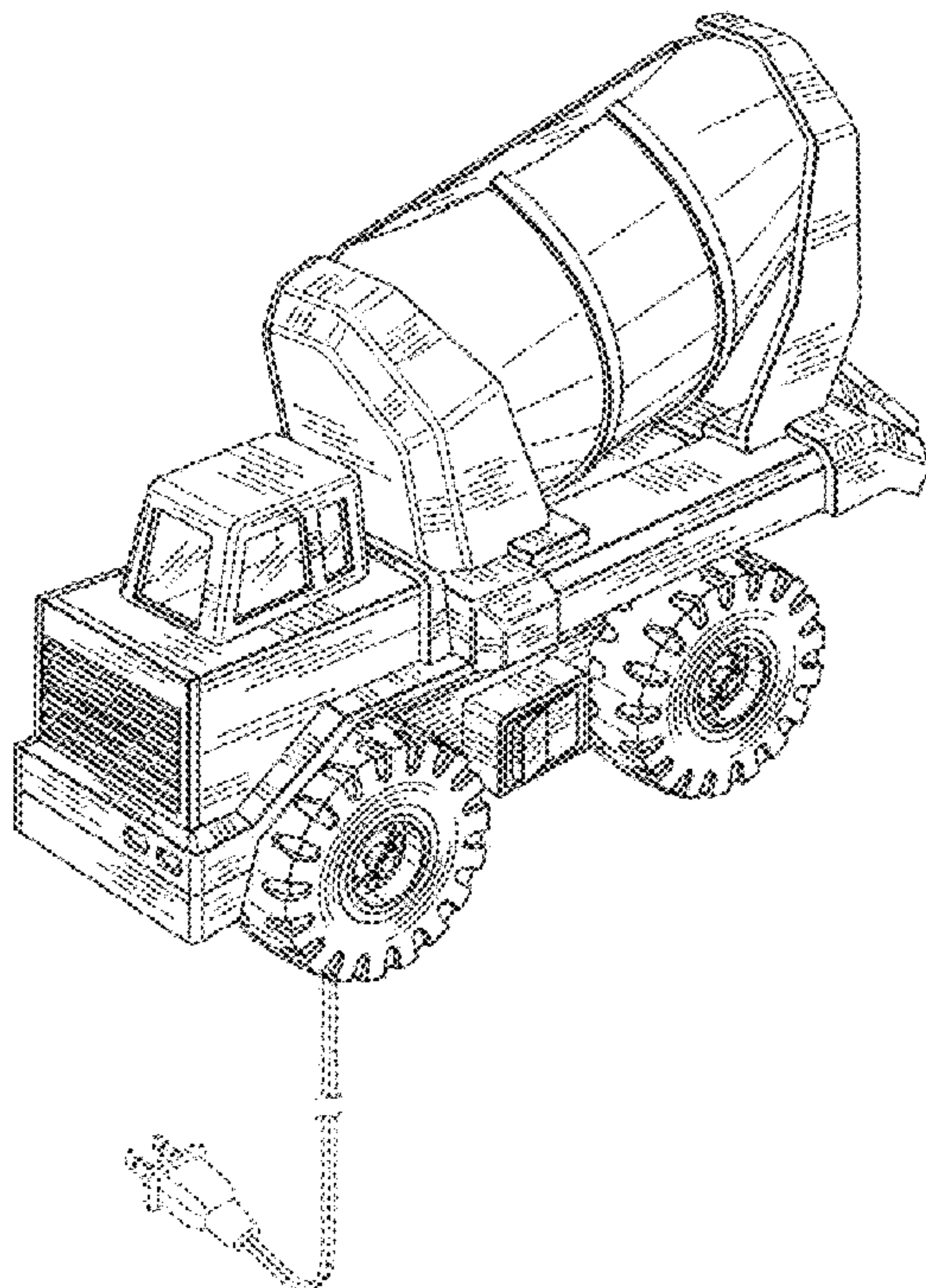
FIG. 4 is a rear elevational view thereof;

FIG. 5 is a top plan view thereof; and,

FIG. 6 is a bottom plan view.

The portions of the drawings provided by broken line are intended to reflect environment, and do not form a part of the indicated embodiment of my design.

1 Claim, 4 Drawing Sheets



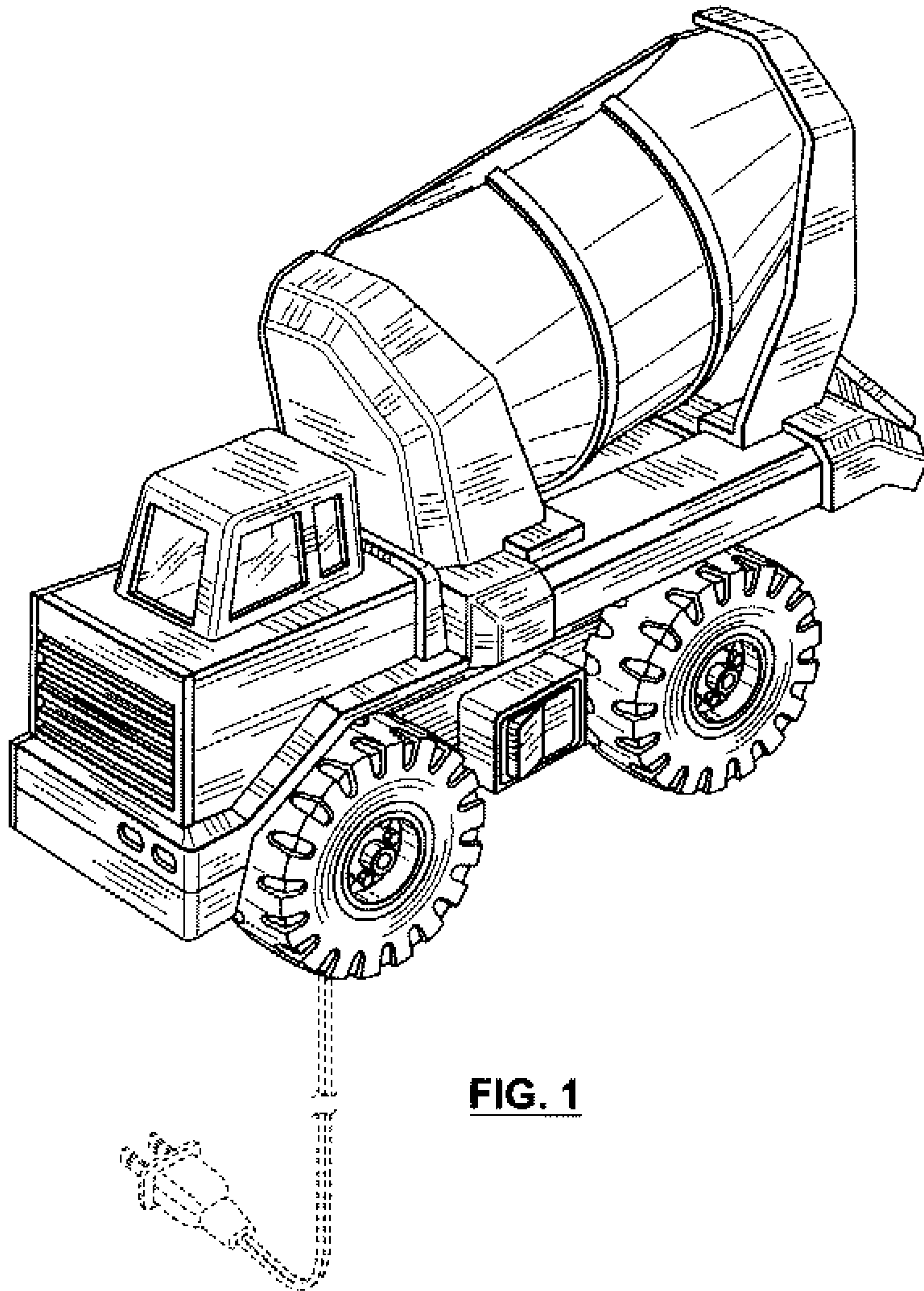


FIG. 1

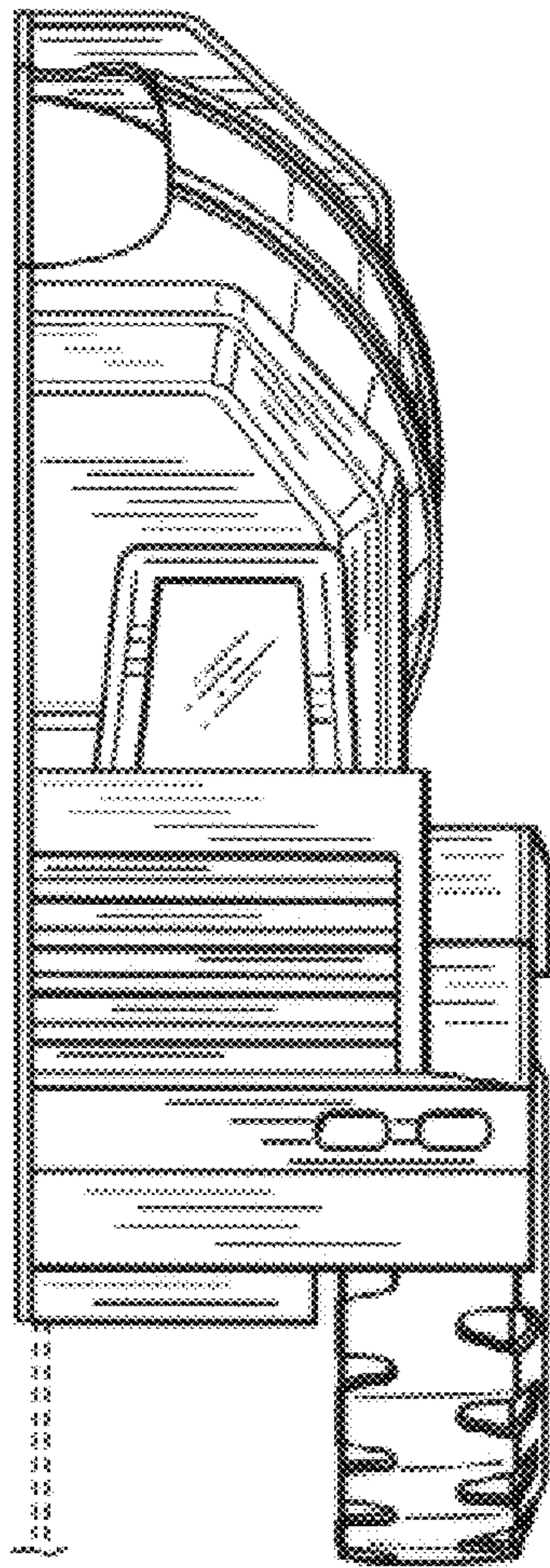


FIG. 2

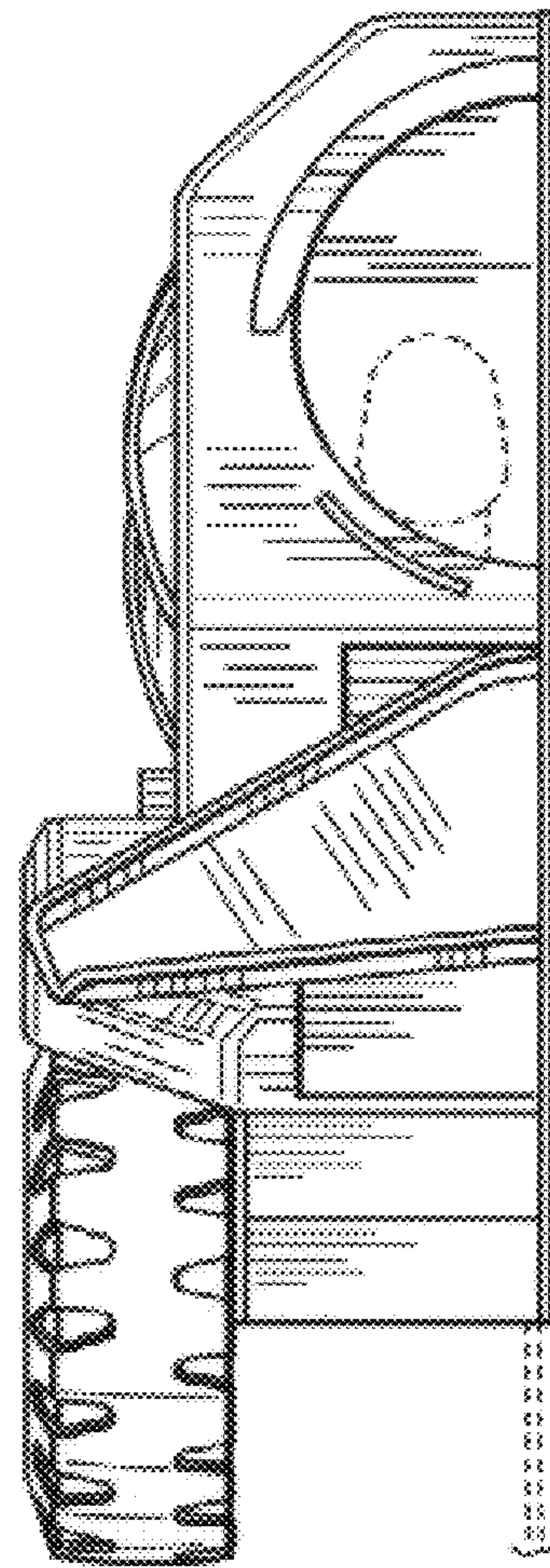
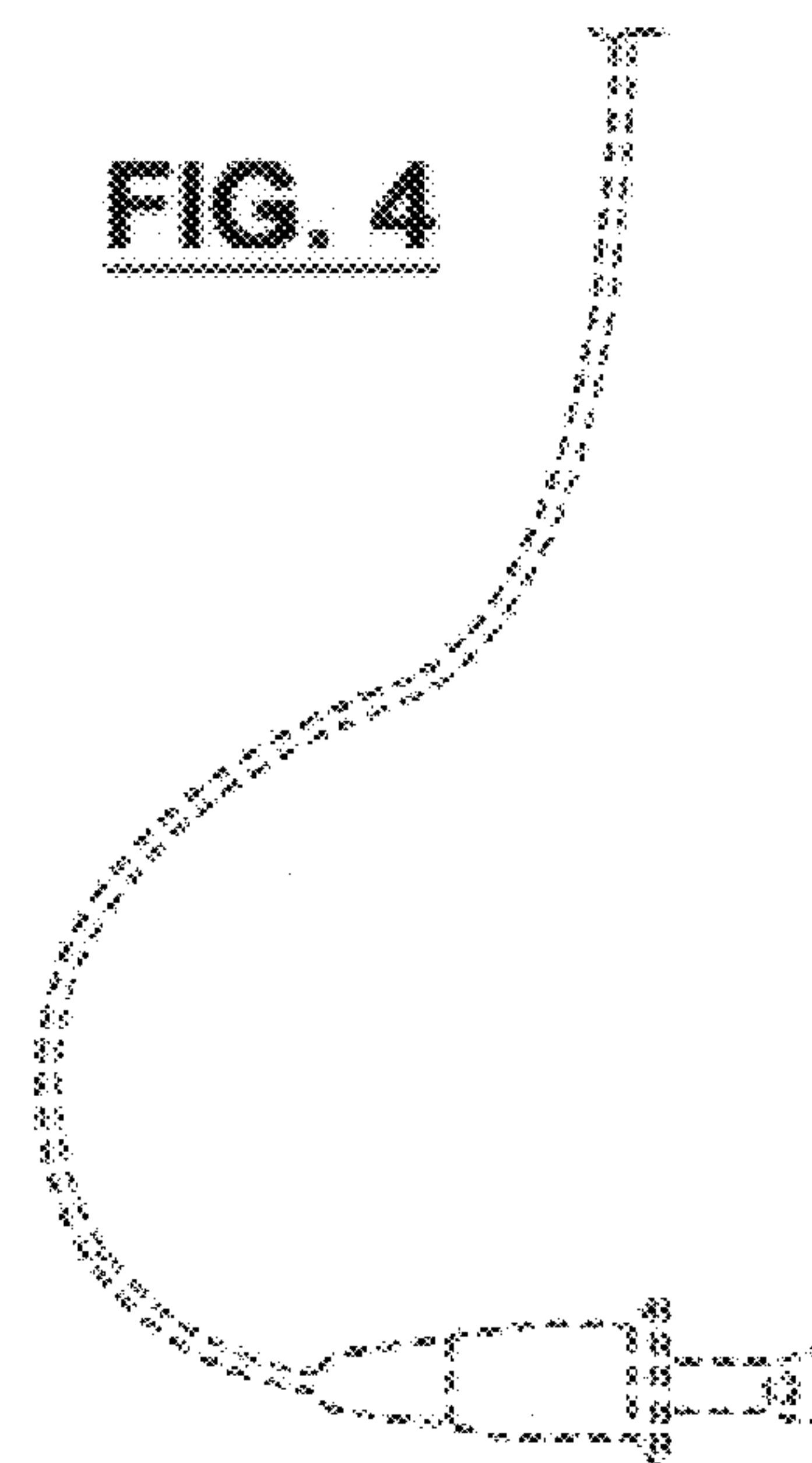
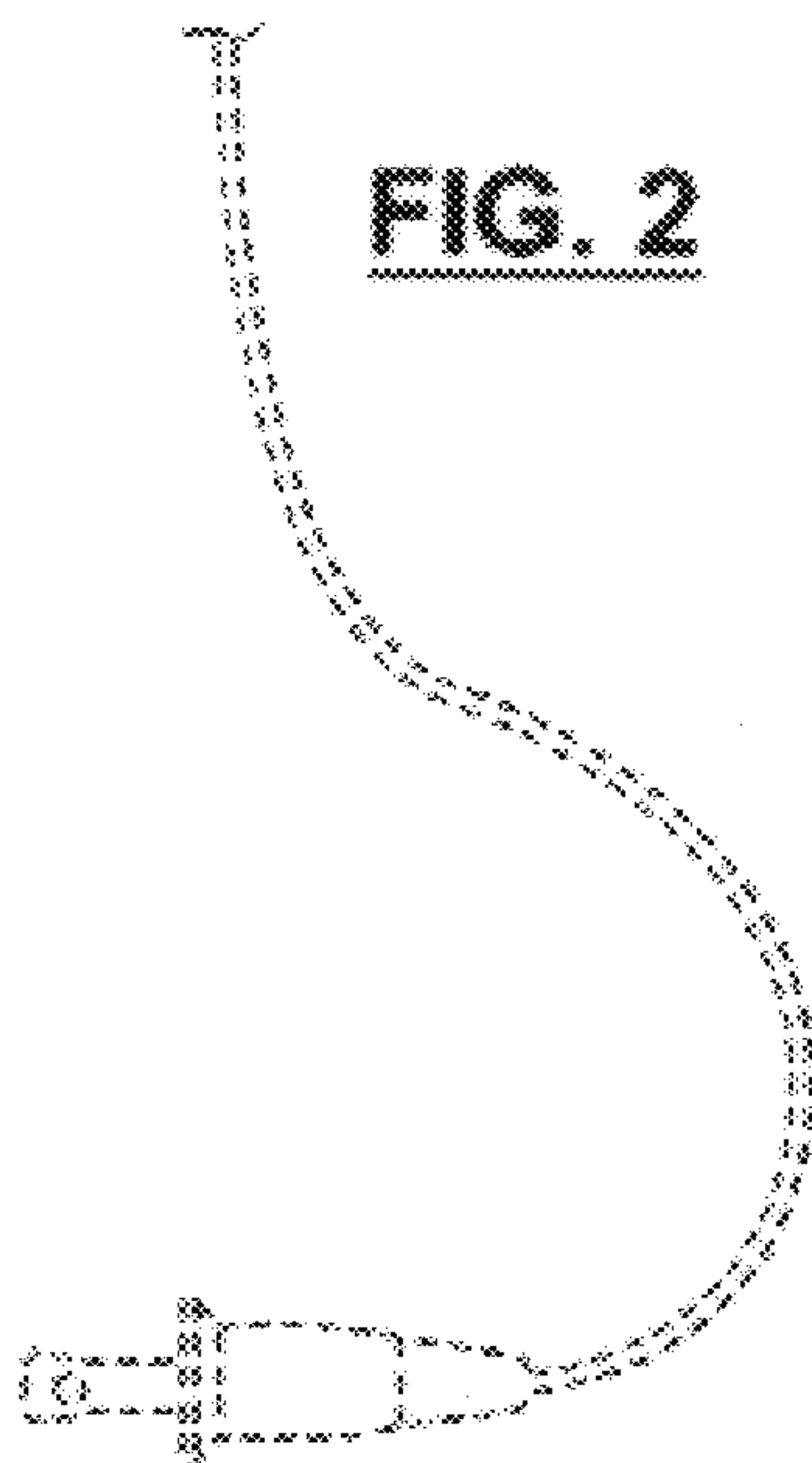


FIG. 4



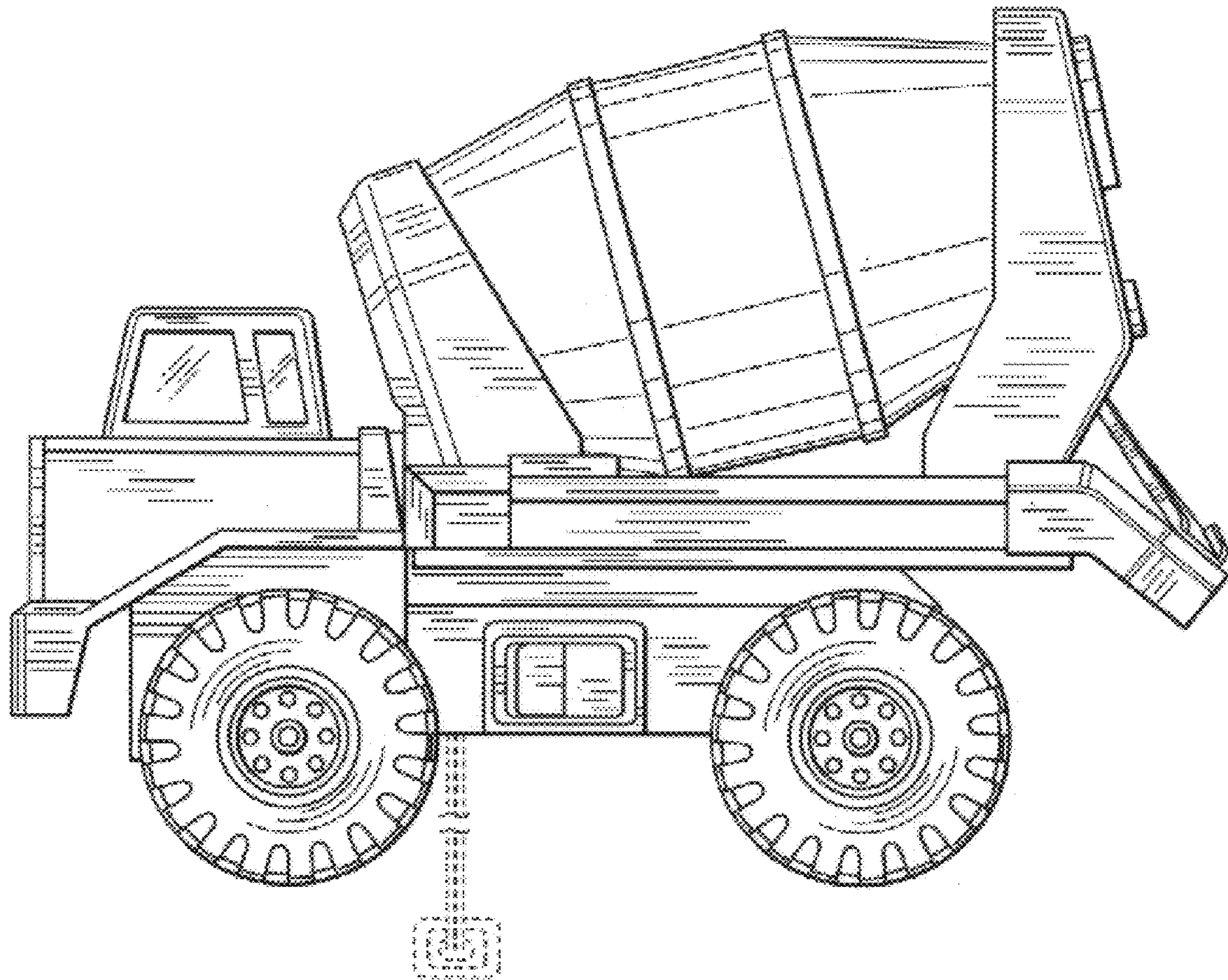


FIG. 3

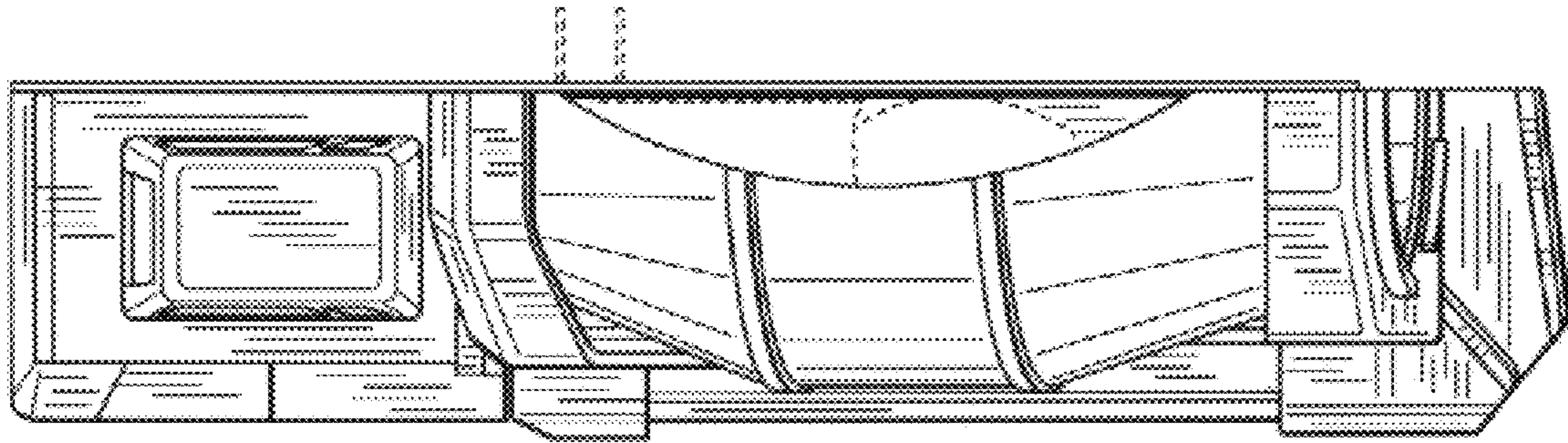


FIG. 5

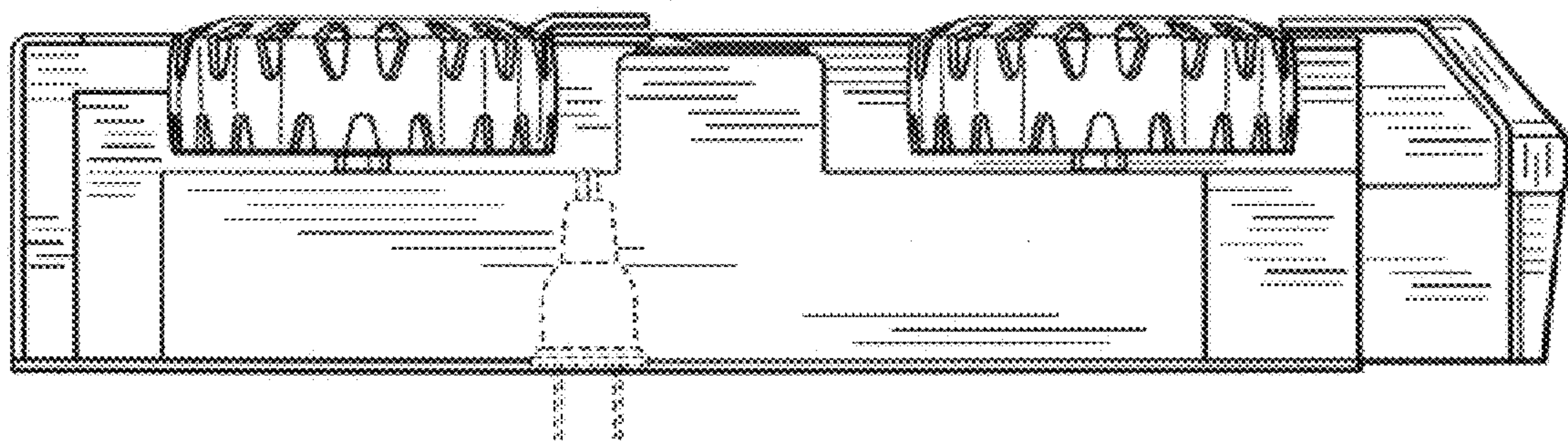


FIG. 6