



US00D550878S

(12) **United States Design Patent**
Korpi

(10) **Patent No.:** **US D550,878 S**

(45) **Date of Patent:** **** Sep. 11, 2007**

(54) **WORKLIGHT**

(75) Inventor: **Jari Korpi**, Helsinki (FI)

(73) Assignee: **Oy B Herrmans AB**, Pietarsaari (FI)

(**) Term: **14 Years**

(21) Appl. No.: **29/267,781**

(22) Filed: **Oct. 20, 2006**

(30) **Foreign Application Priority Data**

Apr. 21, 2006 (EM) 000515416

(51) **LOC (8) Cl.** **26-05**

(52) **U.S. Cl.** **D26/63**

(58) **Field of Classification Search** D26/61,
D26/63, 66, 71, 72; 362/269–271, 273, 285,
362/287, 289, 372, 396, 418, 426, 427, 430,
362/648, 650

See application file for complete search history.

(56) **References Cited**

U.S. PATENT DOCUMENTS

D106,774 S * 11/1937 Phillips D26/63

RE23,193 E * 1/1950 Packer et al. 362/371

4,527,224 A * 7/1985 Sangiamo et al. 362/282
D297,672 S * 9/1988 Skegin D26/63
5,176,442 A * 1/1993 Richardson 362/286
D360,269 S * 7/1995 Lake D26/63
5,613,765 A * 3/1997 Gill 362/269

* cited by examiner

Primary Examiner—Clare E Heflin

(74) *Attorney, Agent, or Firm*—Klauber & Jackson

(57) **CLAIM**

The ornamental design for a worklight, as shown and described.

DESCRIPTION

FIG. 1 is a perspective view showing the right side, the front and the bottom of the worklight of my new design;

FIG. 2 is a front view thereof;

FIG. 3 is a back view thereof;

FIG. 4 is a left side view thereof;

FIG. 5 is a right side view thereof;

FIG. 6 is a bottom view thereof; and,

FIG. 7 is a top view of the claimed design.

1 Claim, 2 Drawing Sheets

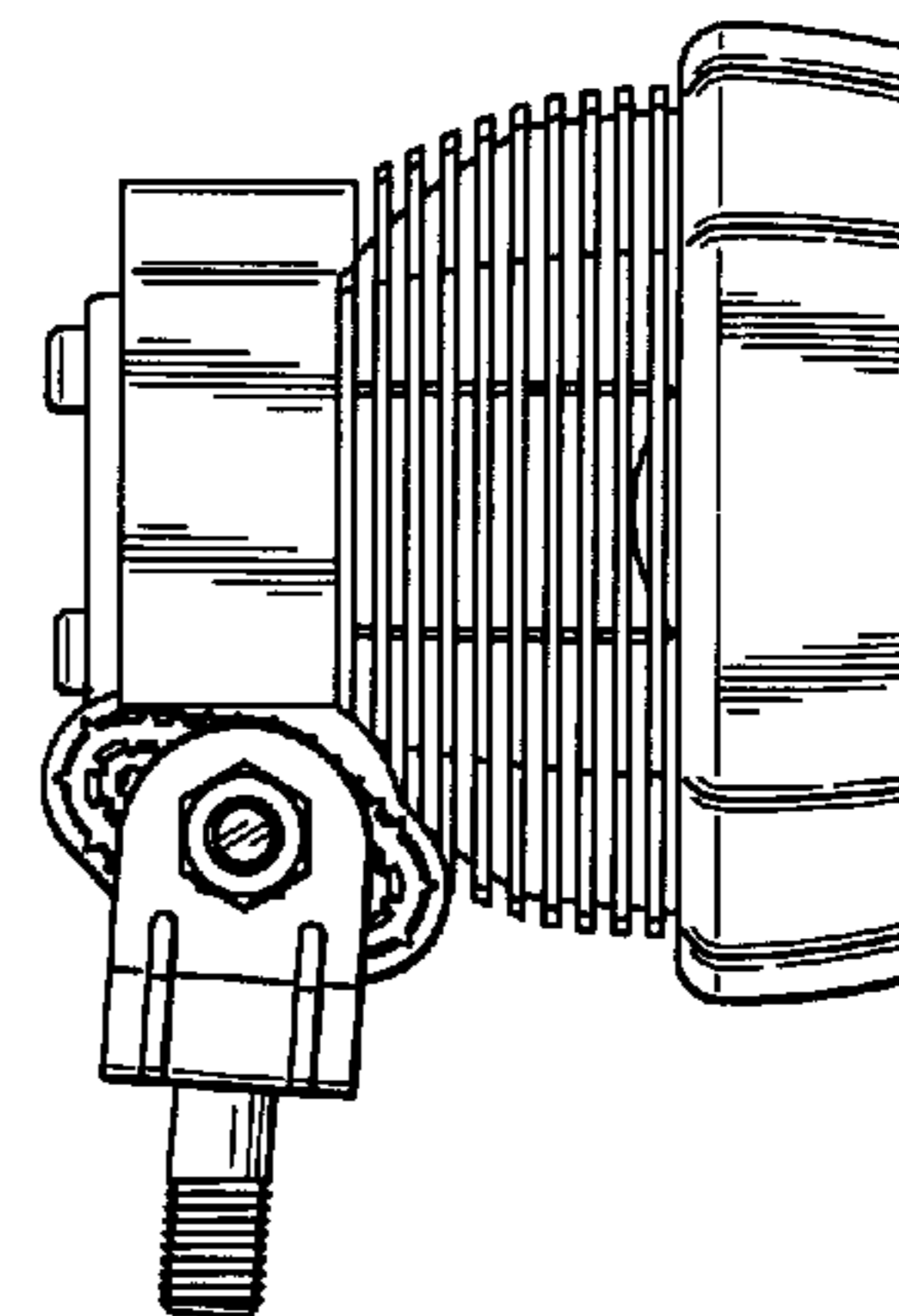
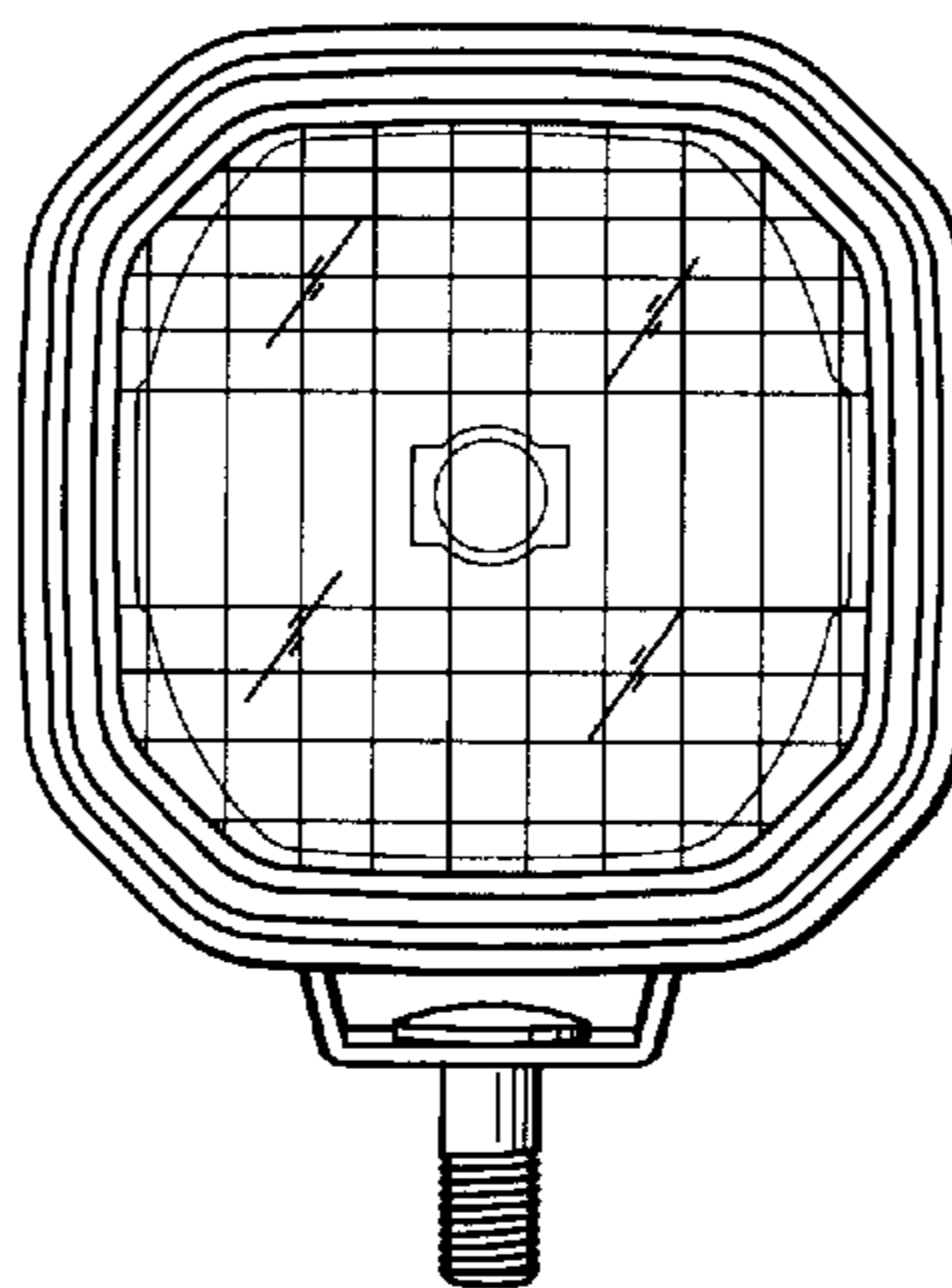
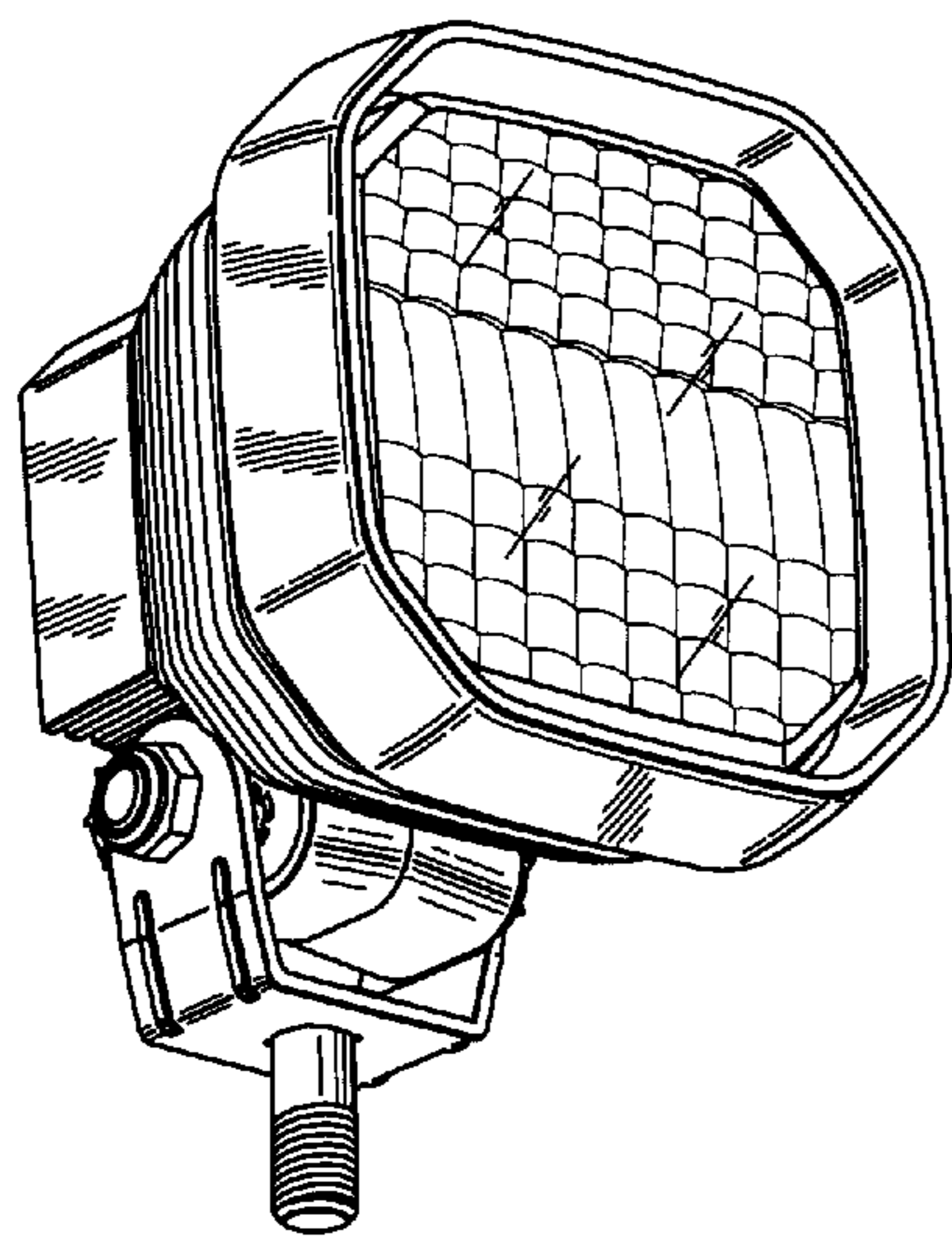


Fig. 1

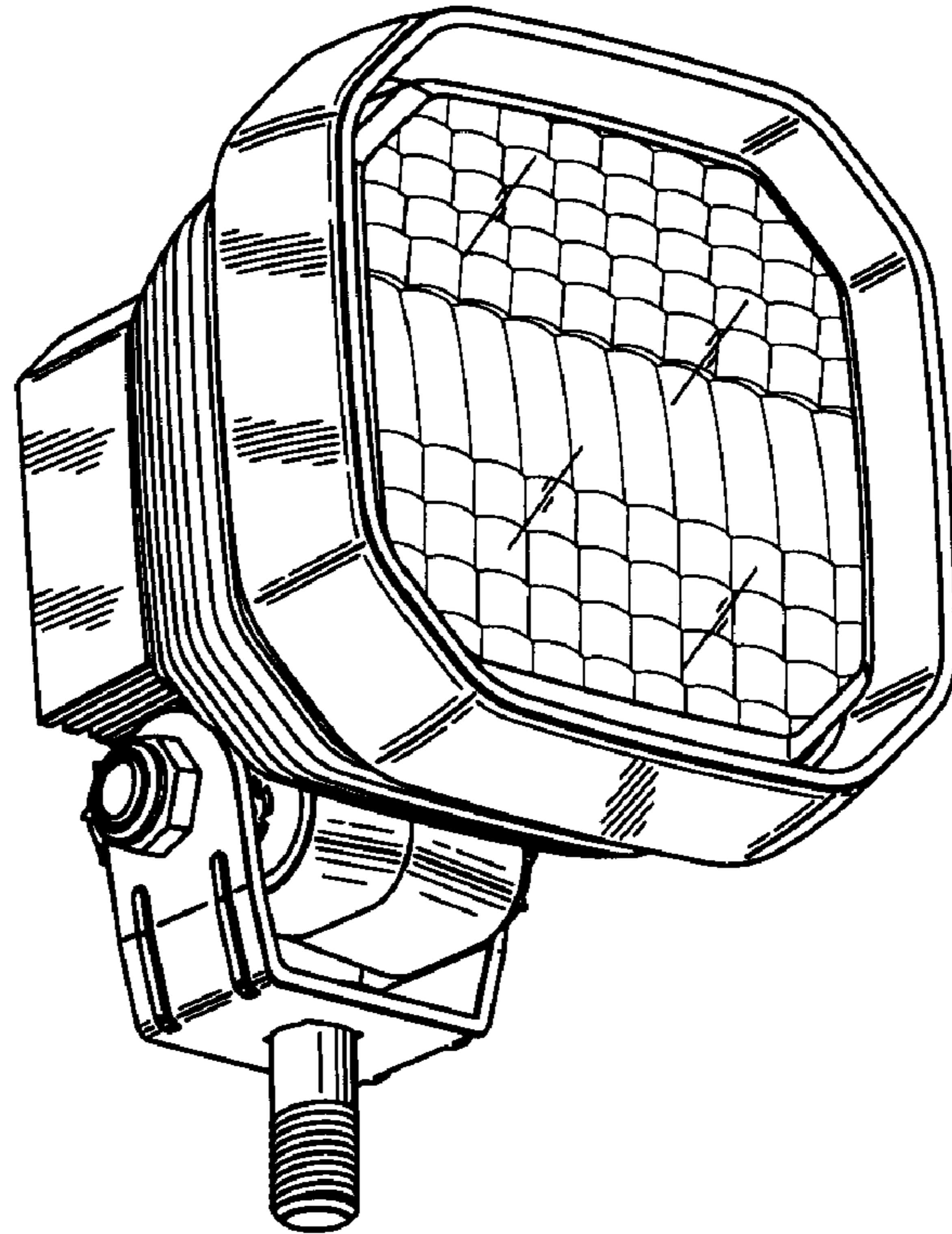


Fig. 2

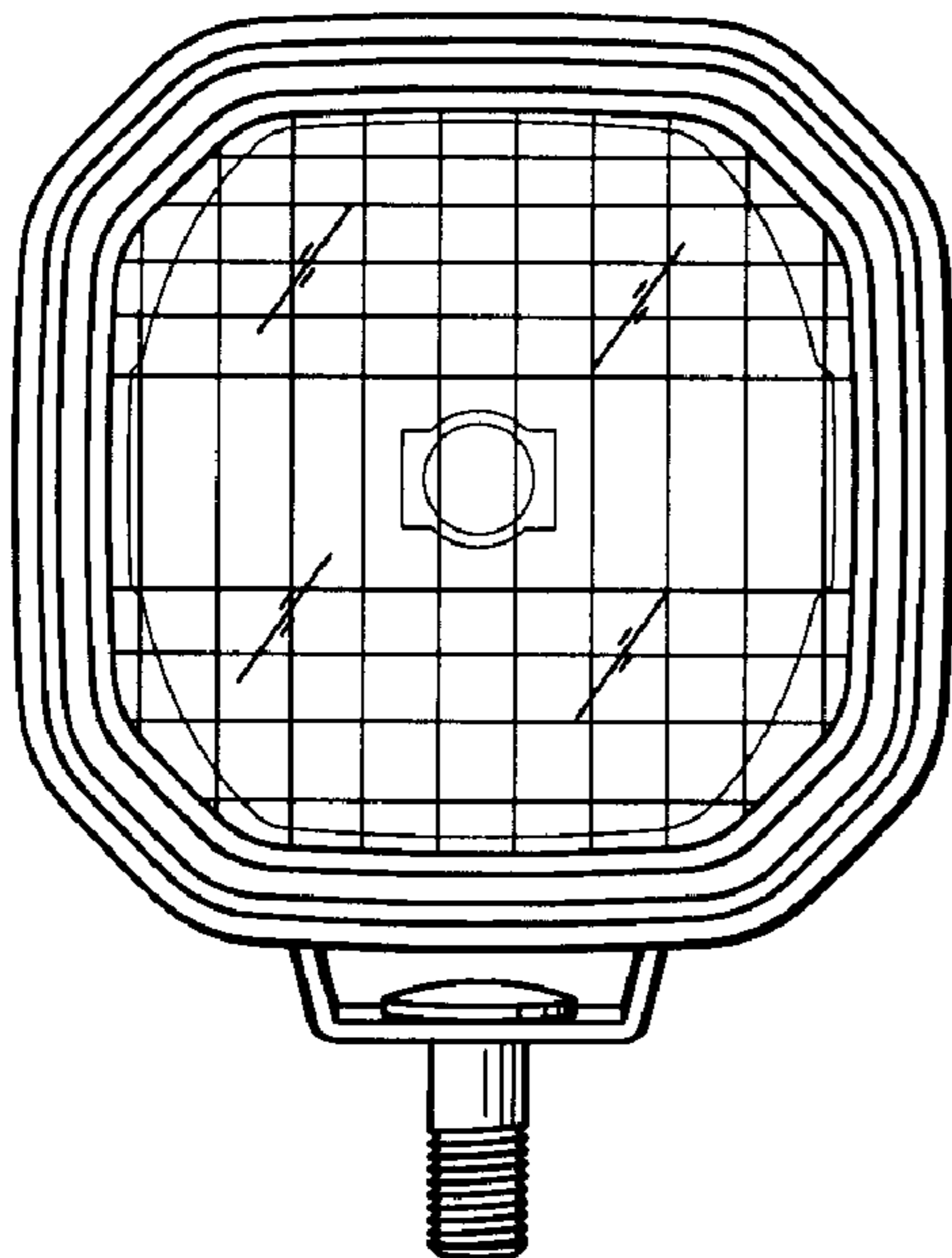


Fig. 3

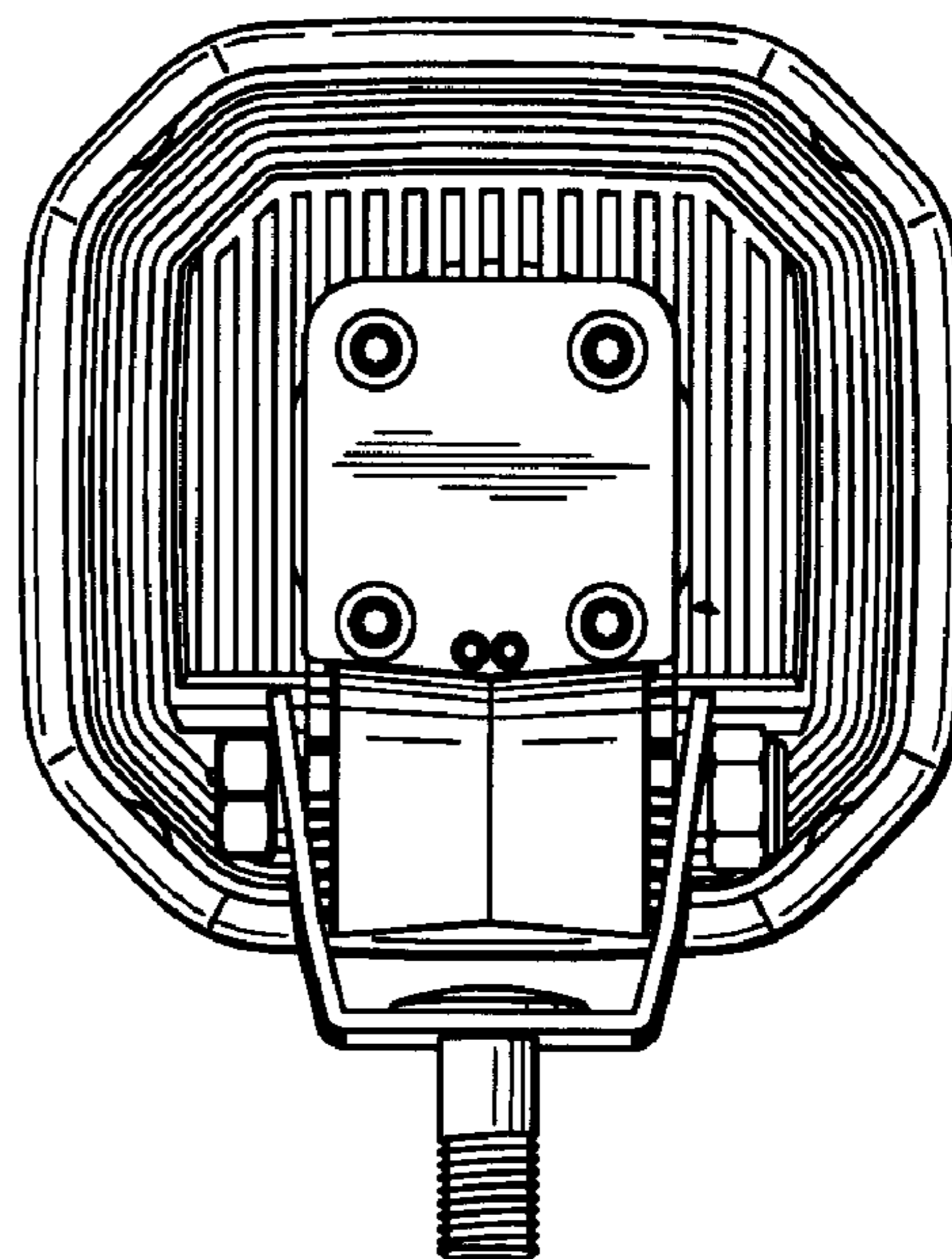


Fig. 4

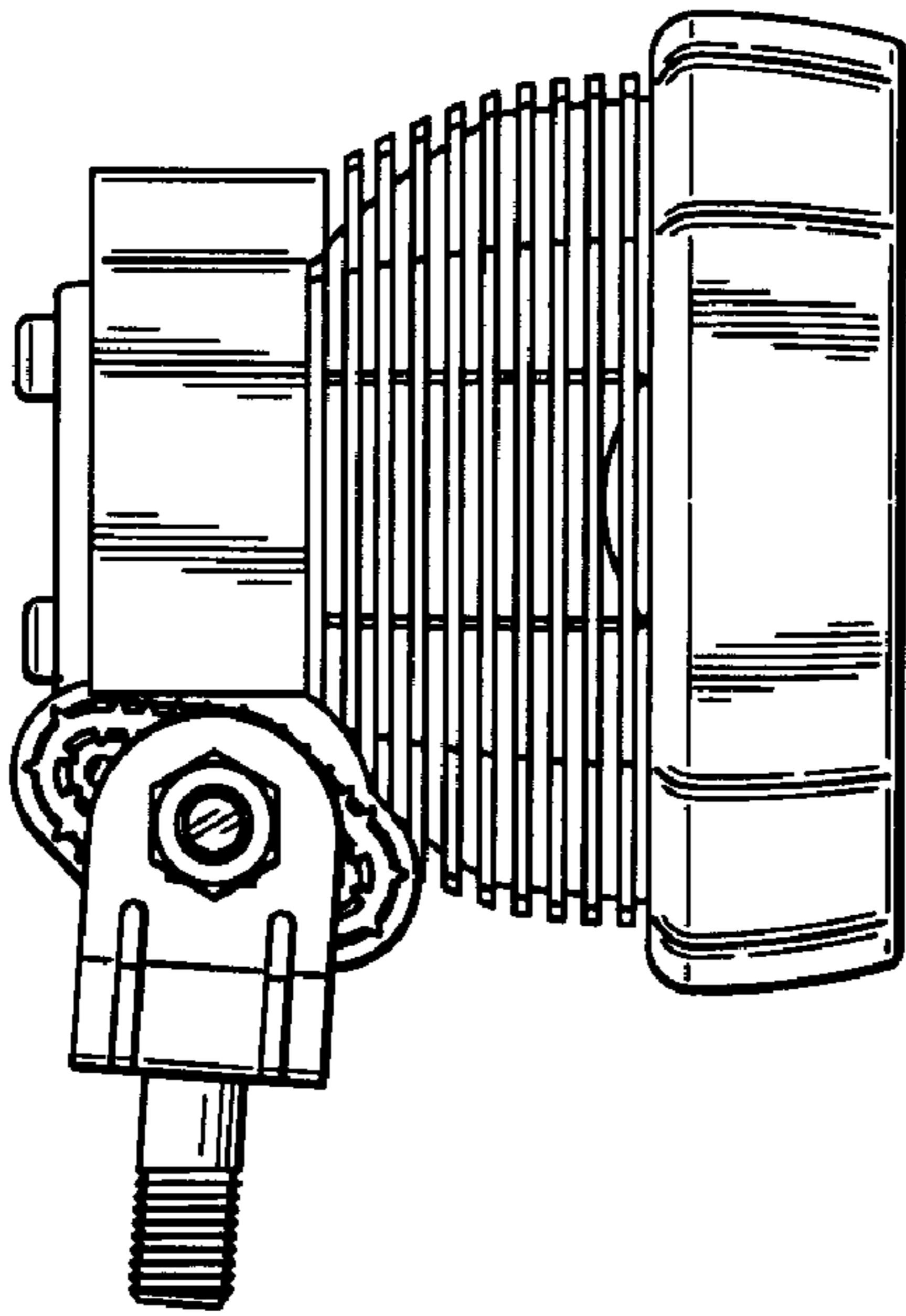


Fig. 5

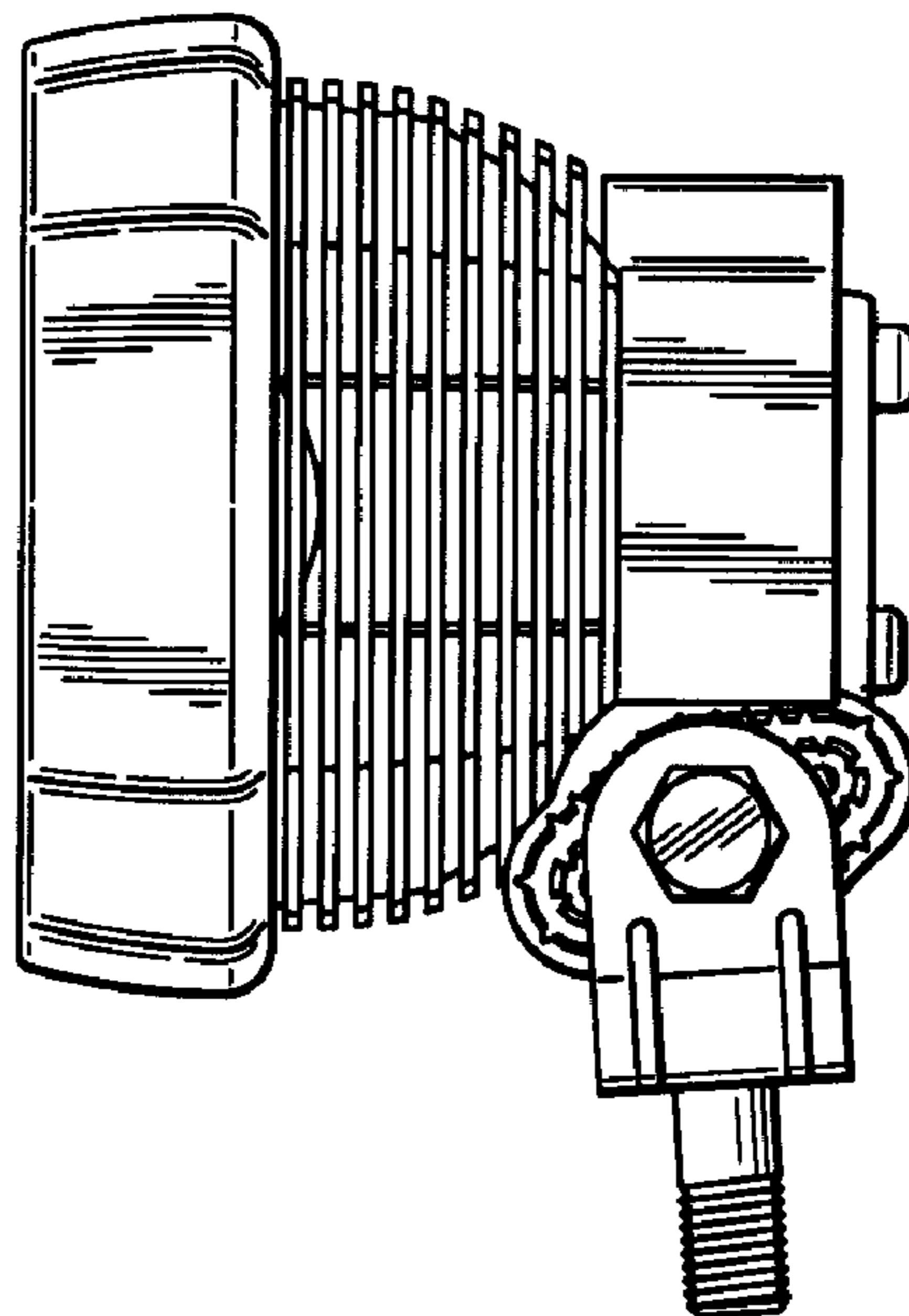


Fig. 6

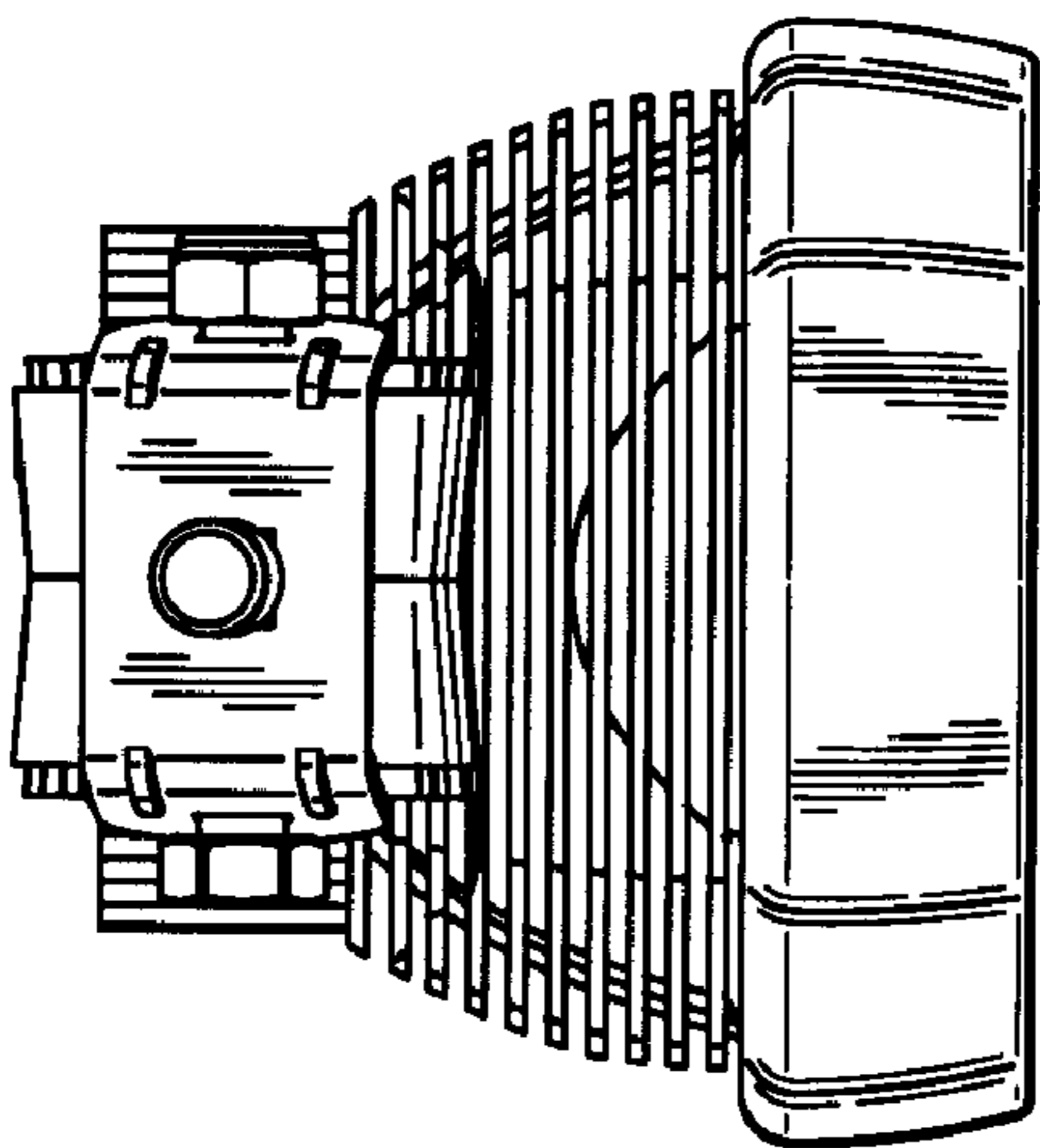


Fig. 7

