

US00D550877S

(12) **United States Design Patent**
Mullen

(10) **Patent No.:** **US D550,877 S**

(45) **Date of Patent:** **** Sep. 11, 2007**

(54) **LIGHT FIXTURE**

(76) **Inventor:** **Nate Mullen**, 1240 Simpson Way,
Escondido, CA (US) 92029

(**) **Term:** **14 Years**

(21) **Appl. No.:** **29/254,042**

(22) **Filed:** **Feb. 16, 2006**

(51) **LOC (8) Cl.** **26-05**

(52) **U.S. Cl.** **D26/63; D26/68**

(58) **Field of Classification Search** D26/63,
D26/67-71; 362/183, 145, 152, 153, 153.1,
362/266, 267, 269, 275, 287, 415, 431
See application file for complete search history.

(56) **References Cited**

U.S. PATENT DOCUMENTS

D308,111	S	*	5/1990	Banathy et al.	D26/68
D319,891	S	*	9/1991	Giese	D26/67
5,086,379	A	*	2/1992	Denison et al.	362/145
D360,962	S	*	8/1995	Cornell et al.	D26/67
5,584,574	A	*	12/1996	Haddad	362/359
5,988,833	A	*	11/1999	Giese et al.	362/287

D424,731	S	*	5/2000	Landefeld	D26/68
D437,071	S	*	1/2001	Andrus et al.	D26/63
D542,959	S	*	5/2007	Yao	D26/68

* cited by examiner

Primary Examiner—Clare E Heflin

(74) *Attorney, Agent, or Firm*—Kelly Lowry & Kelley, LLP

(57) **CLAIM**

The ornamental design for a light fixture, as shown.

DESCRIPTION

FIG. 1 is a perspective view of the light fixture embodying the new design;

FIG. 2 is a front view of the present invention;

FIG. 3 is a back view of the present invention;

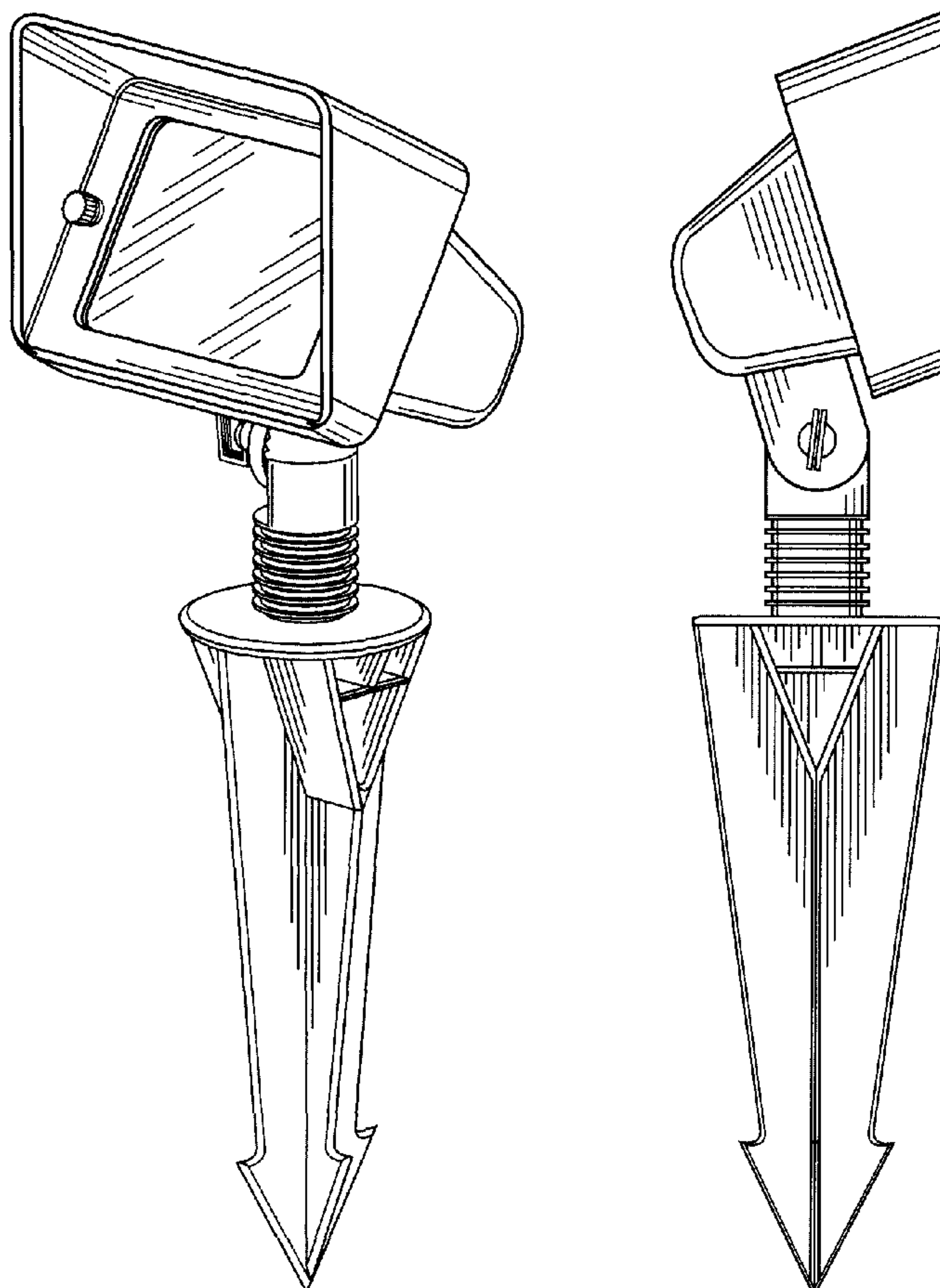
FIG. 4 is a left side view of the present invention;

FIG. 5 is a right side view of the present invention;

FIG. 6 is a top view of the present invention; and,

FIG. 7 is a bottom view of the light fixture.

1 Claim, 3 Drawing Sheets



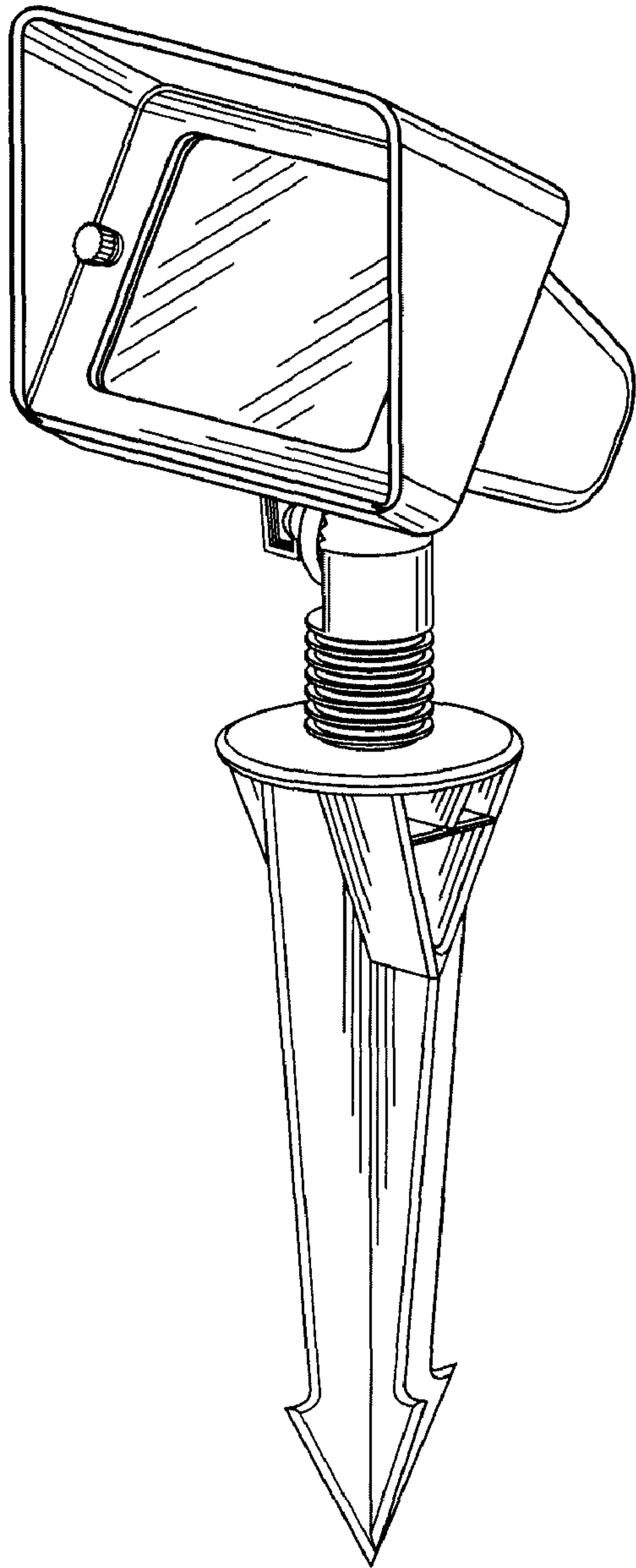


FIG. 1

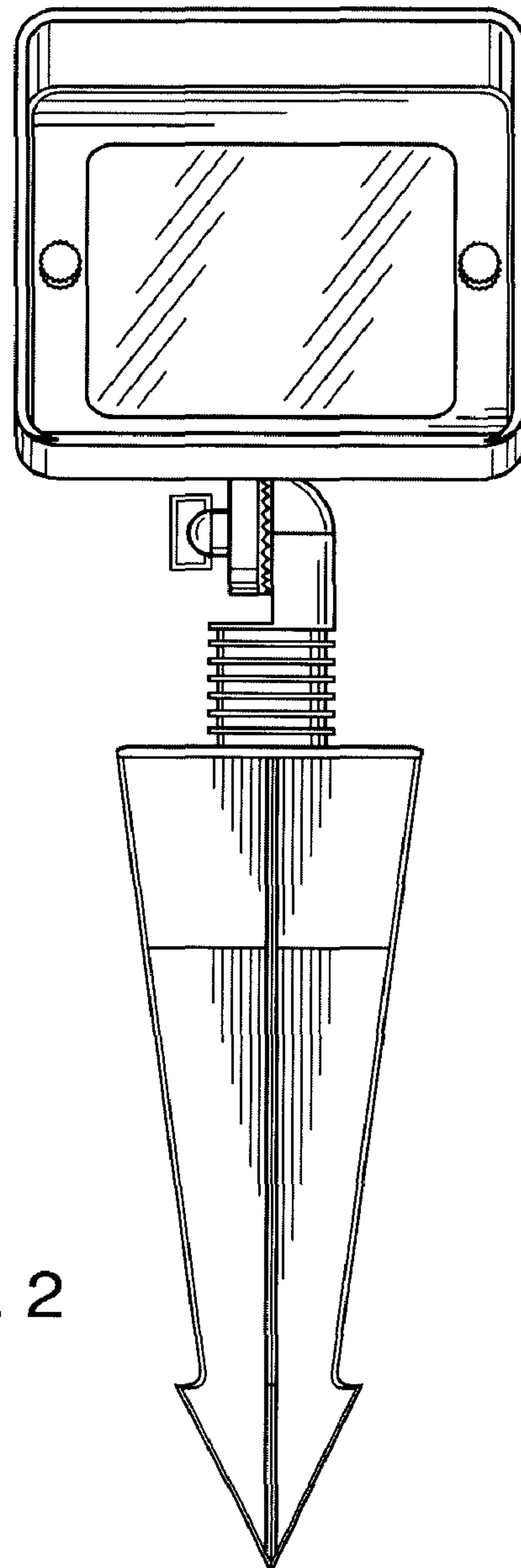


FIG. 2

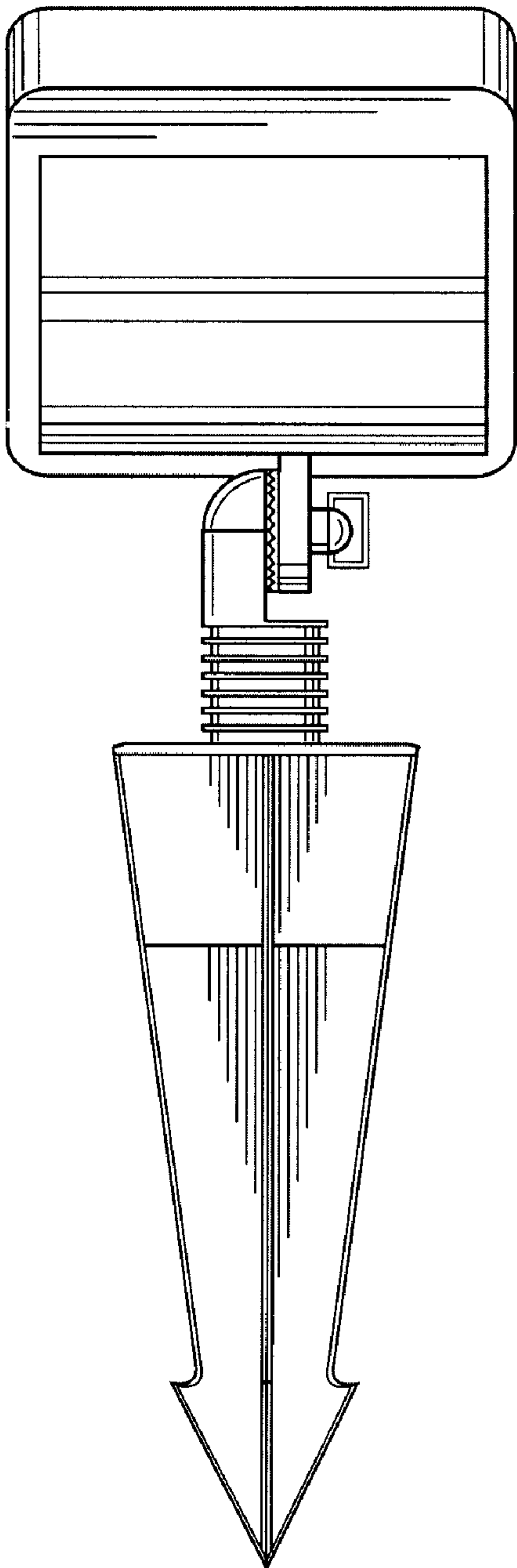


FIG. 3

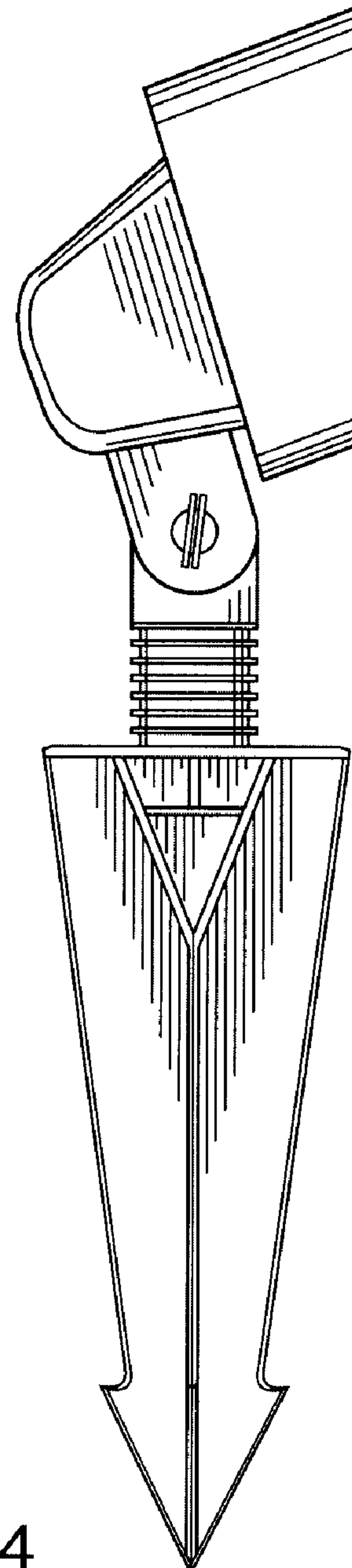


FIG. 4

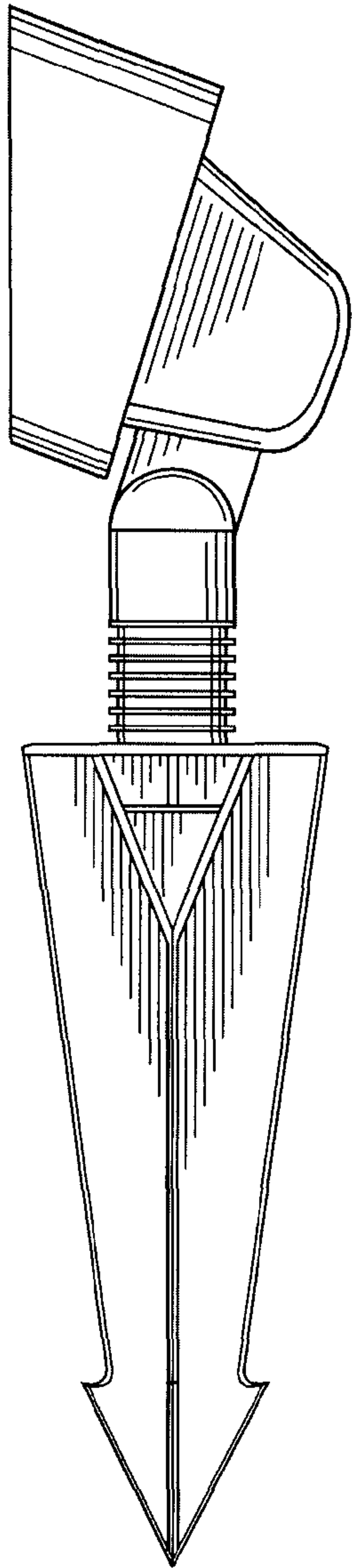


FIG. 5

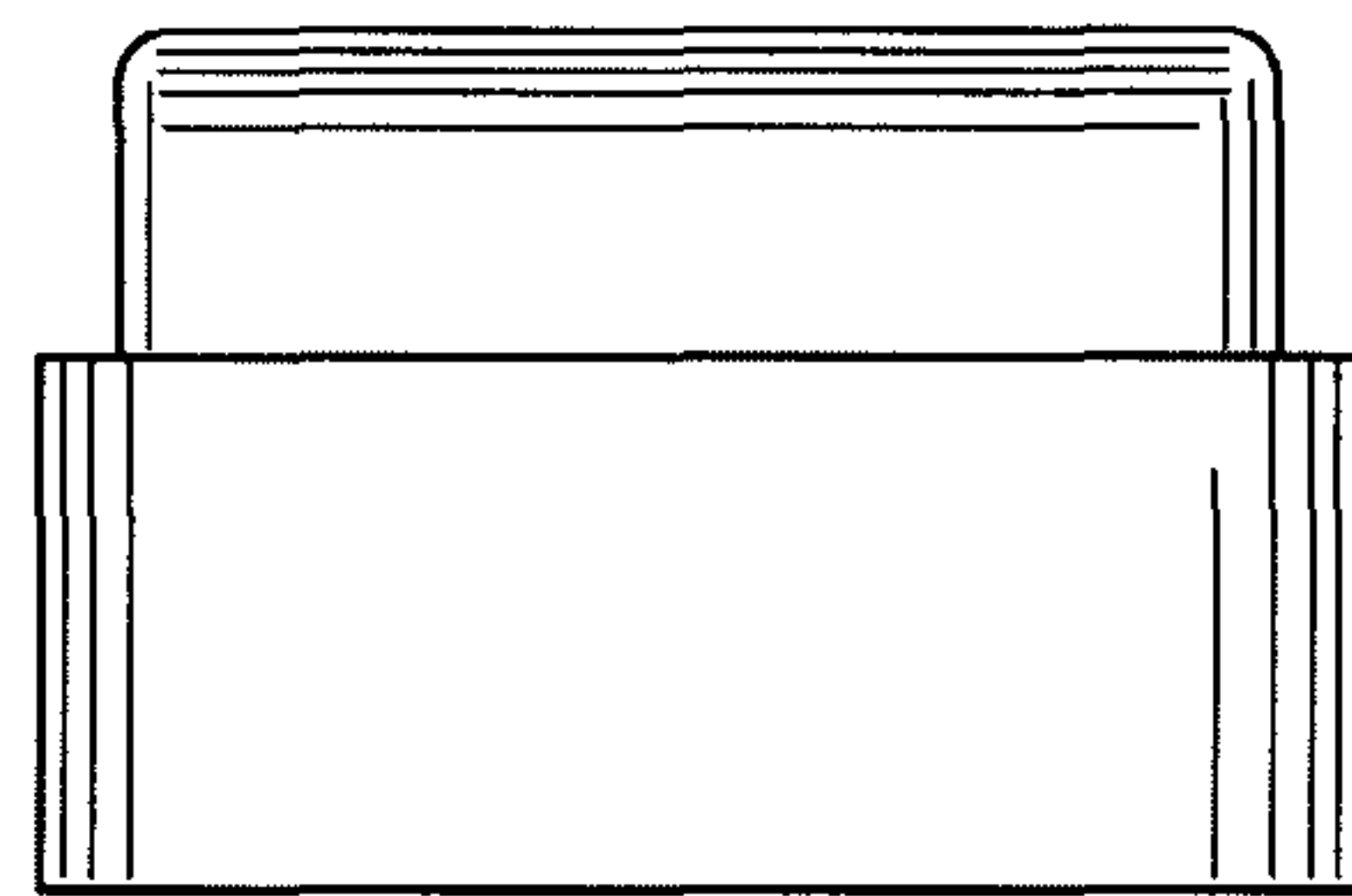


FIG. 6

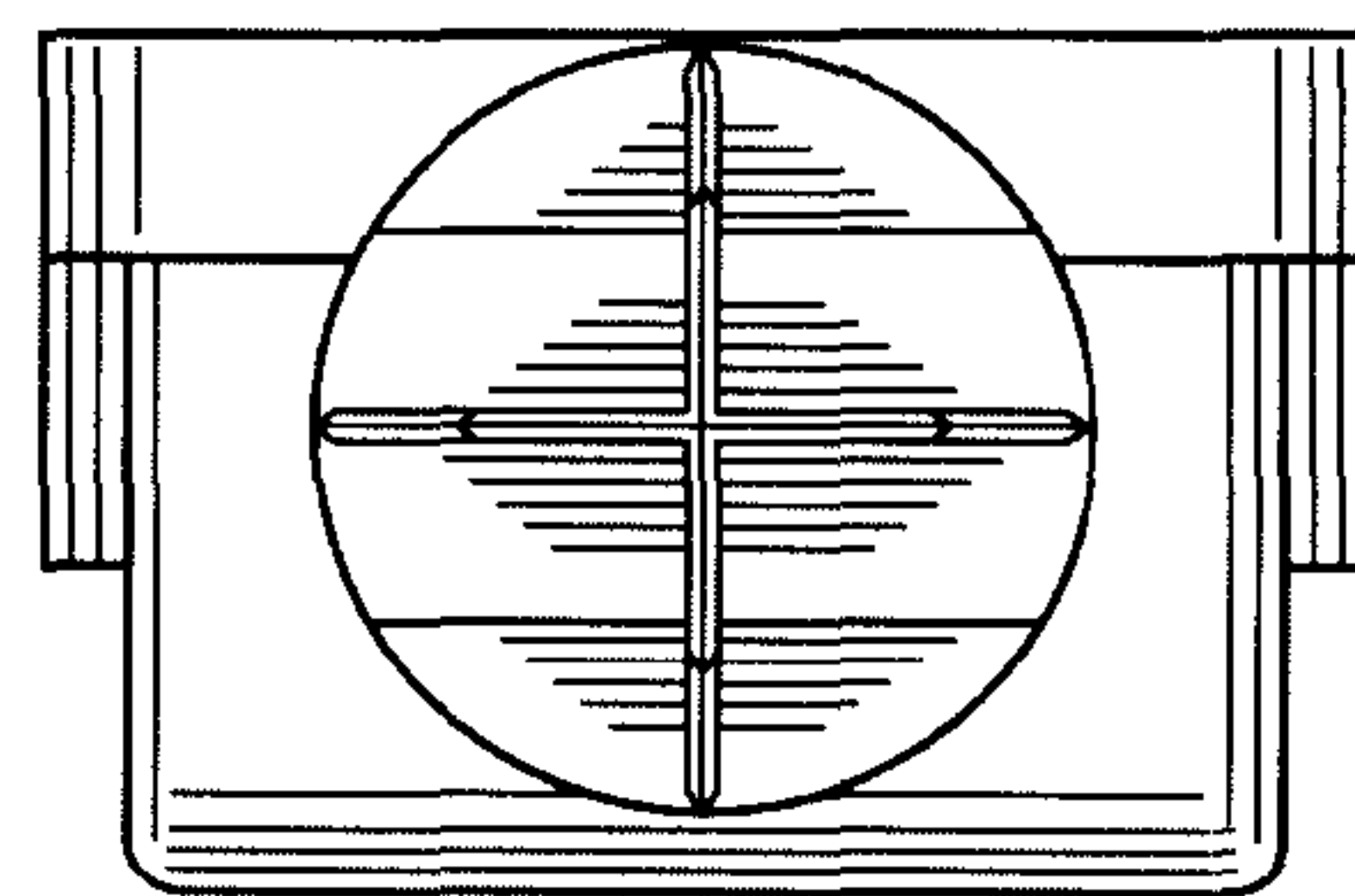


FIG. 7