



US00D550875S

(12) **United States Design Patent**  
**Thuma et al.**

(10) **Patent No.:** **US D550,875 S**

(45) **Date of Patent:** **\*\* Sep. 11, 2007**

(54) **FLASHLIGHT WITH SNAKE-LIKE PORTION**

(75) Inventors: **Michael C. Thuma**, LaGrange, IL  
(US); **Paul Mann**, Oak Park, IL (US)

(73) Assignee: **NTM Industries, LLC**, LaGrange, IL  
(US)

(\*\*) Term: **14 Years**

(21) Appl. No.: **29/230,081**

(22) Filed: **May 17, 2005**

(51) **LOC (8) Cl.** ..... **26-05**

(52) **U.S. Cl.** ..... **D26/62; D26/60**

(58) **Field of Classification Search** ..... D26/60–63,  
D26/65, 28, 37, 43, 44; 362/98, 99, 103,  
362/105, 120, 197, 198, 199, 269, 282, 285,  
362/287, 288, 289, 306, 396

See application file for complete search history.

(56) **References Cited**

**U.S. PATENT DOCUMENTS**

- D371,855 S \* 7/1996 Heun ..... D26/43
- D379,542 S \* 5/1997 Egashira ..... D26/43
- D404,157 S \* 1/1999 Carbone ..... D26/43

- D489,839 S \* 5/2004 Opolka ..... D26/43
- D493,557 S \* 7/2004 Kessler et al. .... D26/63
- D504,535 S \* 4/2005 Shiu ..... D26/60
- 2005/0174759 A1 \* 8/2005 Thuma et al. .... 362/157

\* cited by examiner

*Primary Examiner*—Clare E Heflin

(74) *Attorney, Agent, or Firm*—Niro, Scavone, Haler & Niro

(57) **CLAIM**

The ornamental design for a flashlight with snake-like portion, as shown and described.

**DESCRIPTION**

FIG. 1 is a perspective view of the flashlight with snake-like portion.

FIG. 2 is a first side view thereof.

FIG. 3 is a front view thereof.

FIG. 4 is a rear view thereof.

FIG. 5 is a second side view thereof.

FIG. 6 is a third side view thereof; and,

FIG. 7 is a fourth side view thereof.

**1 Claim, 2 Drawing Sheets**

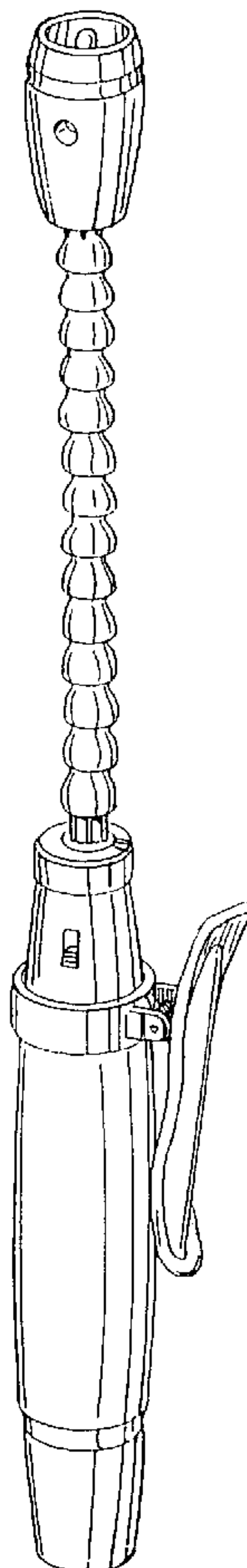


FIG. 1

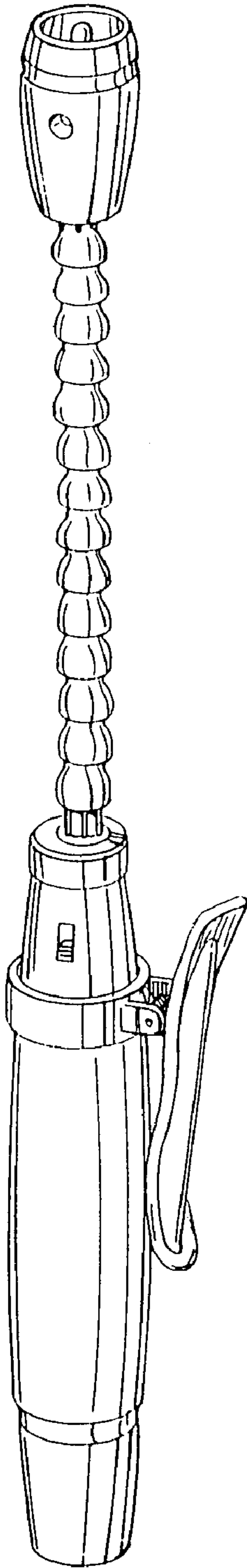


FIG. 3

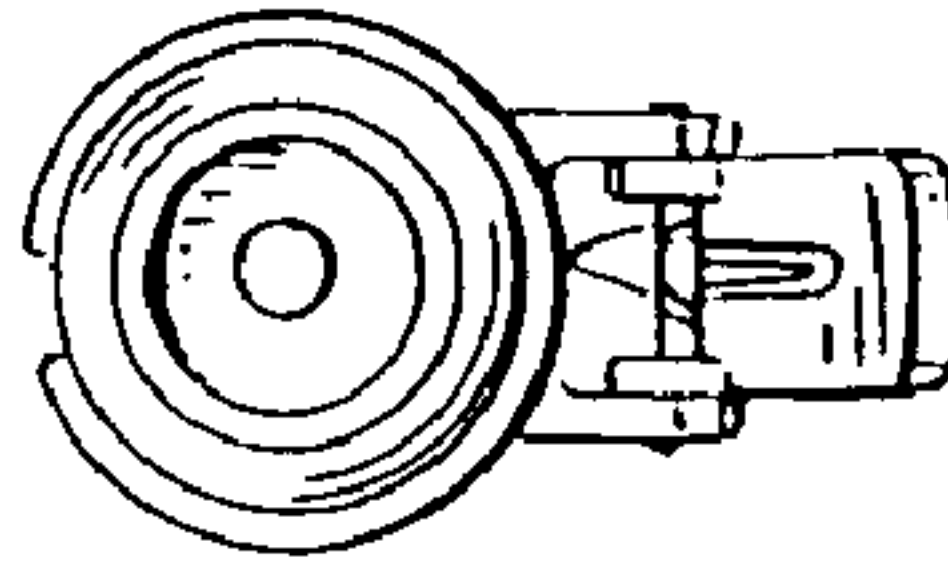


FIG. 2

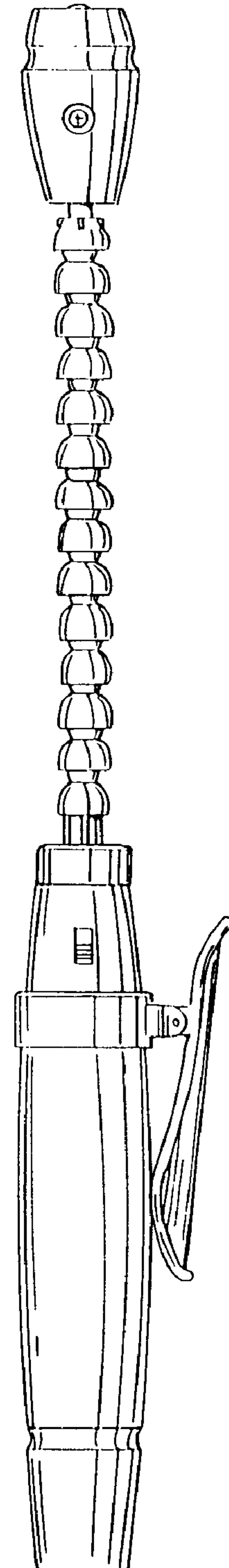


FIG. 4

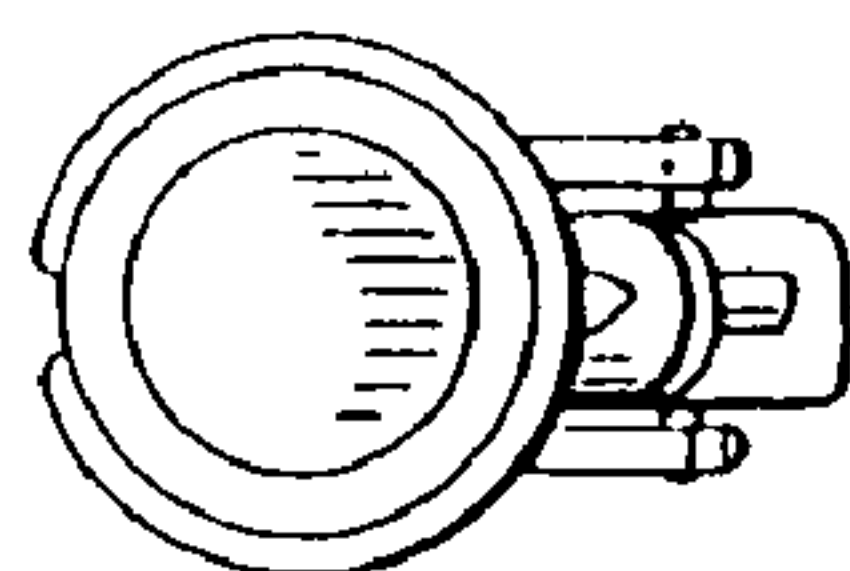


FIG. 5

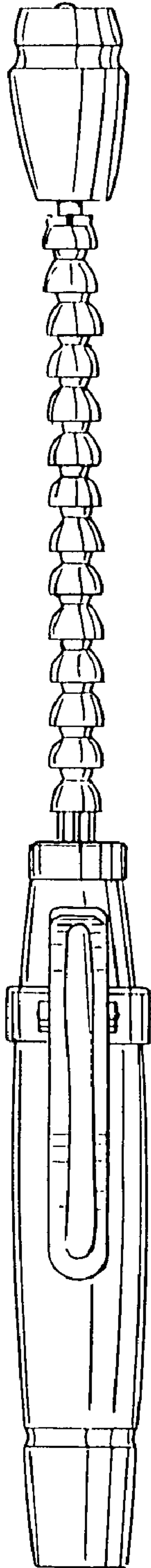


FIG. 6

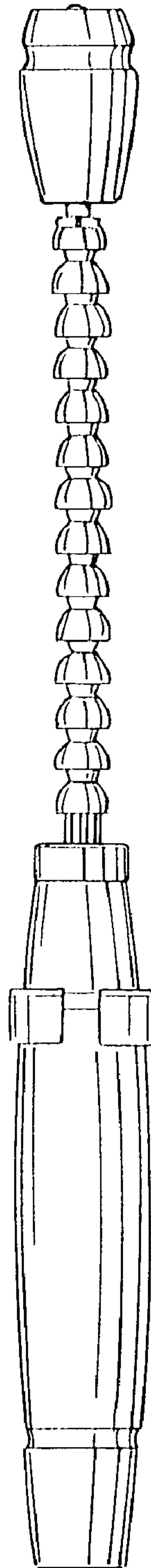


FIG. 7

