



US00D550869S

(12) **United States Design Patent** (10) **Patent No.:** **US D550,869 S**
Hoshikawa et al. (45) **Date of Patent:** **** Sep. 11, 2007**

(54) **LED LAMP**

2002/0149935 A1* 10/2002 Lee et al. 362/249

(75) Inventors: **Kiyotoshi Hoshikawa**, Tokyo (JP);
Kanji Tajima, Tokyo (JP); **Yutaka Hirasawa**, Tokyo (JP)

FOREIGN PATENT DOCUMENTS

JP 1248887 8/2005

* cited by examiner

(73) Assignee: **Moriyama Sangyo Kabushiki Kaisha**, Tokyo (JP)

Primary Examiner—Alan P. Douglas

Assistant Examiner—Angela Lee

(74) *Attorney, Agent, or Firm*—Marshall & Melhorn, LLC

(**) Term: **14 Years**

(57) **CLAIM**

(21) Appl. No.: **29/269,589**

The ornamental design for an LED lamp, as shown and described.

(22) Filed: **Dec. 4, 2006**

Related U.S. Application Data

DESCRIPTION

(63) Continuation-in-part of application No. 29/226,651, filed on Mar. 31, 2005, now abandoned.

FIG. 1 is a perspective view of an LED lamp showing our new design;

(51) **LOC (8) Cl.** **26-04**

FIG. 1A is an enlarged view of the portion of FIG. 1 shown in the view circle 1A of FIG. 1;

(52) **U.S. Cl.** **D26/25**

FIG. 2 is a top view thereof;

(58) **Field of Classification Search** D26/3,
D26/24-5, 27, 31, 76; D20/12; D13/180;
40/550; 362/236, 238, 249, 252
See application file for complete search history.

FIG. 3 is a front view thereof;

FIG. 3A is an enlarged view of the portion of FIG. 3 shown in the view circle 3A of FIG. 3;

(56) **References Cited**

U.S. PATENT DOCUMENTS

D280,025 S *	8/1985	Waters	D26/24
D441,884 S *	5/2001	Moriyama et al.	D26/25
6,283,612 B1 *	9/2001	Hunter	362/240
6,422,716 B2 *	7/2002	Henrici et al.	362/249
6,494,594 B1 *	12/2002	Schroetter	362/249
D477,093 S *	7/2003	Moriyama et al.	D26/3
D477,094 S *	7/2003	Moriyama et al.	D26/3
D493,004 S *	7/2004	Hoshikawa et al.	D26/3
D505,662 S *	5/2005	Moriyama et al.	D13/180
D506,274 S *	6/2005	Moriyama et al.	D26/3
2002/0149933 A1 *	10/2002	Archer et al.	362/234

FIG. 4 is a rear view thereof;

FIG. 5 is a bottom view thereof;

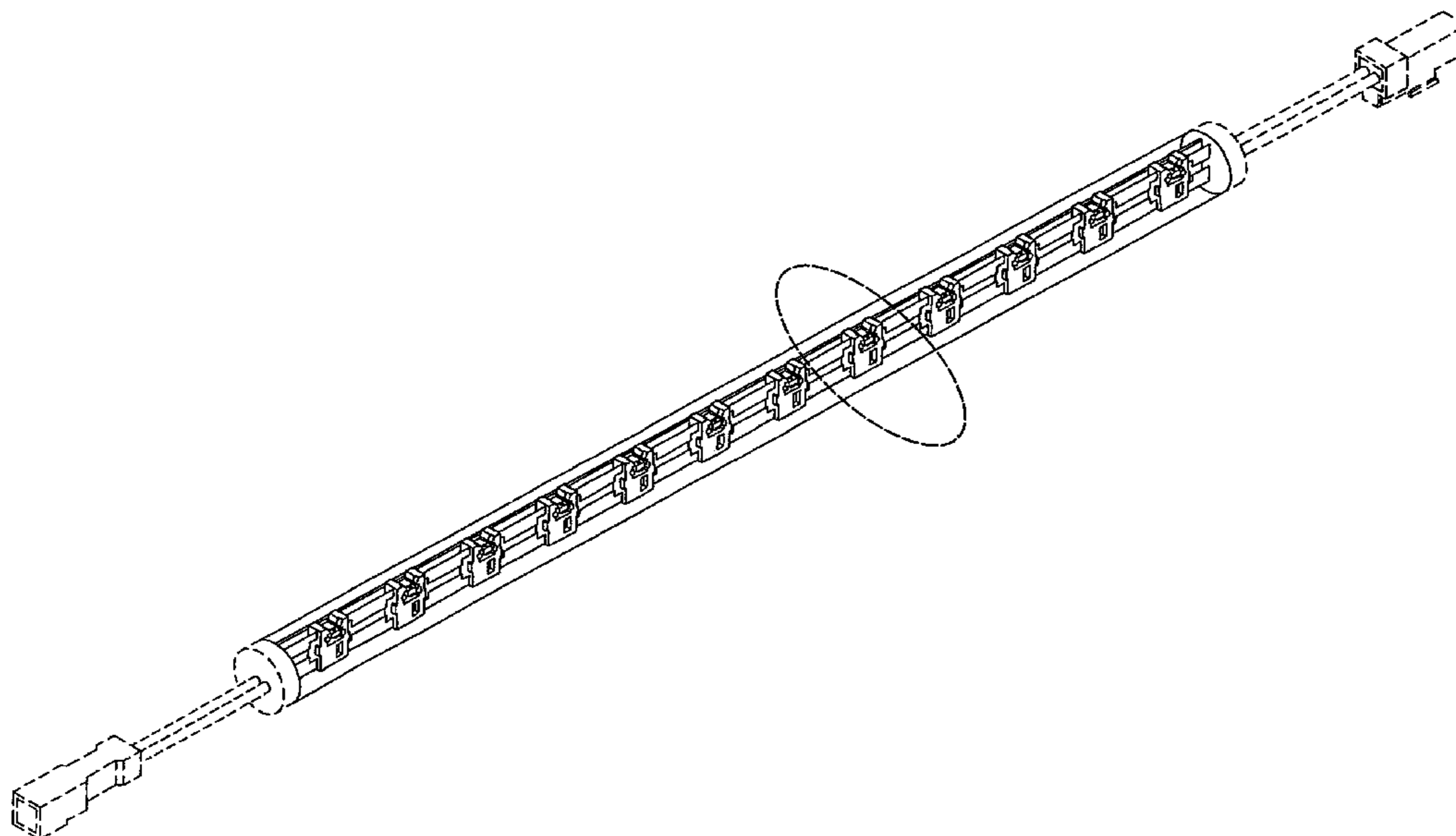
FIG. 6 is a right side view thereof;

FIG. 7 is a left side view thereof; and,

FIG. 8 is an enlarged cross-sectional view thereof taken along the line VIII—VIII in FIG. 3.

FIG. 1 is a perspective view of an LED lamp showing our new design, with connector members being attached on either end thereof, the connector members being shown in broken lines and forming no part of the claimed design.

1 Claim, 5 Drawing Sheets



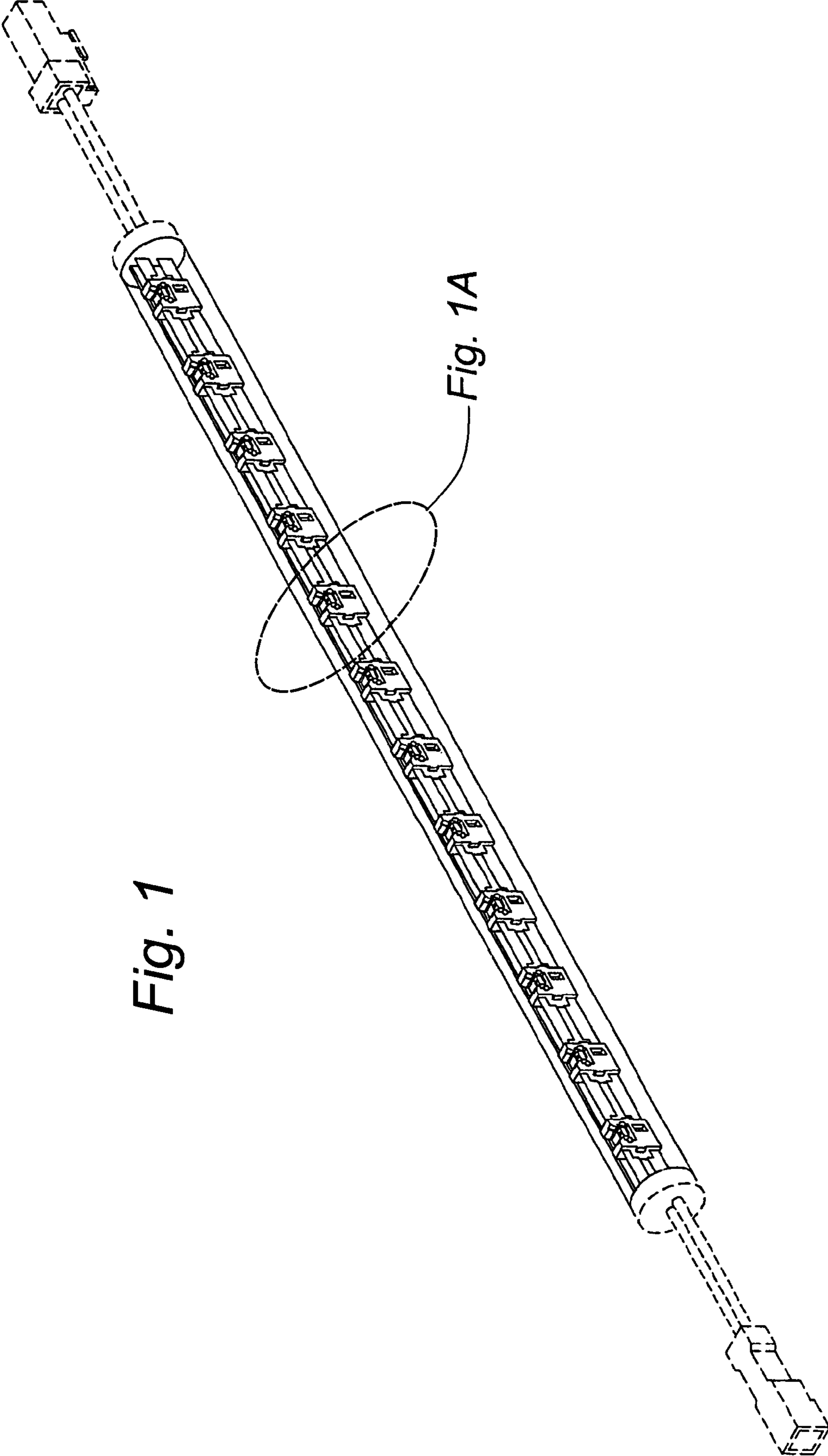


Fig. 1

Fig. 1A

Fig. 1A

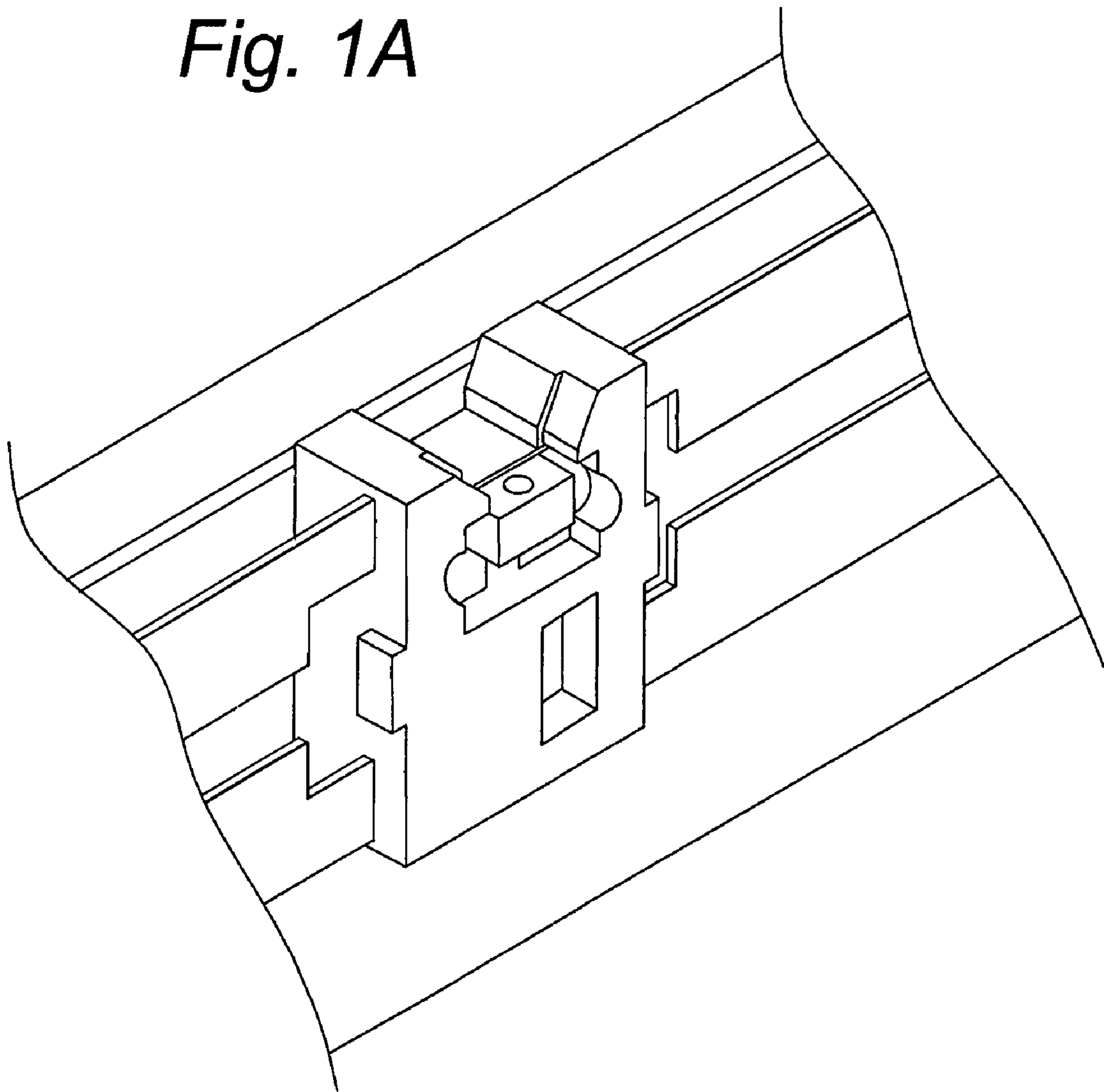


Fig. 2

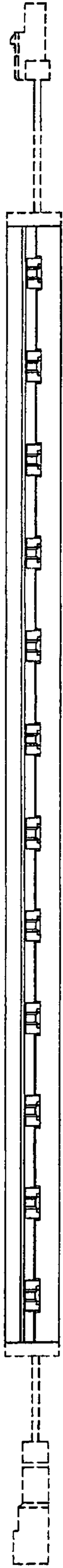


Fig. 3

Fig. 3A

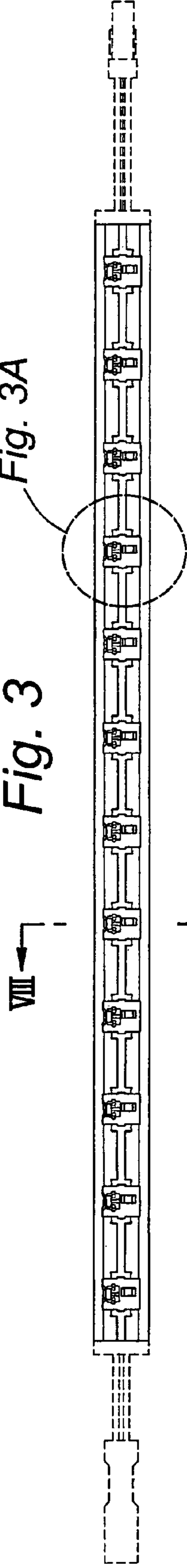


Fig. 4

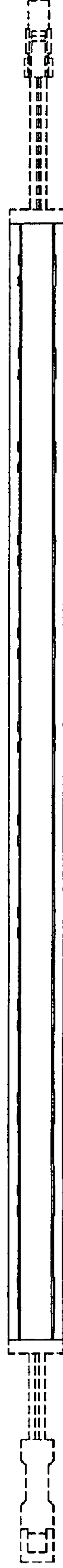


Fig. 5

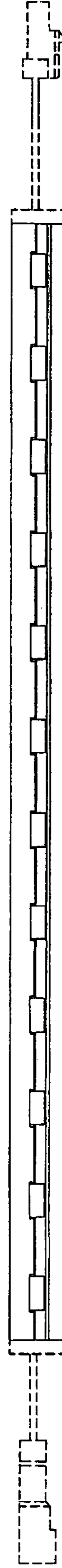


Fig. 3A

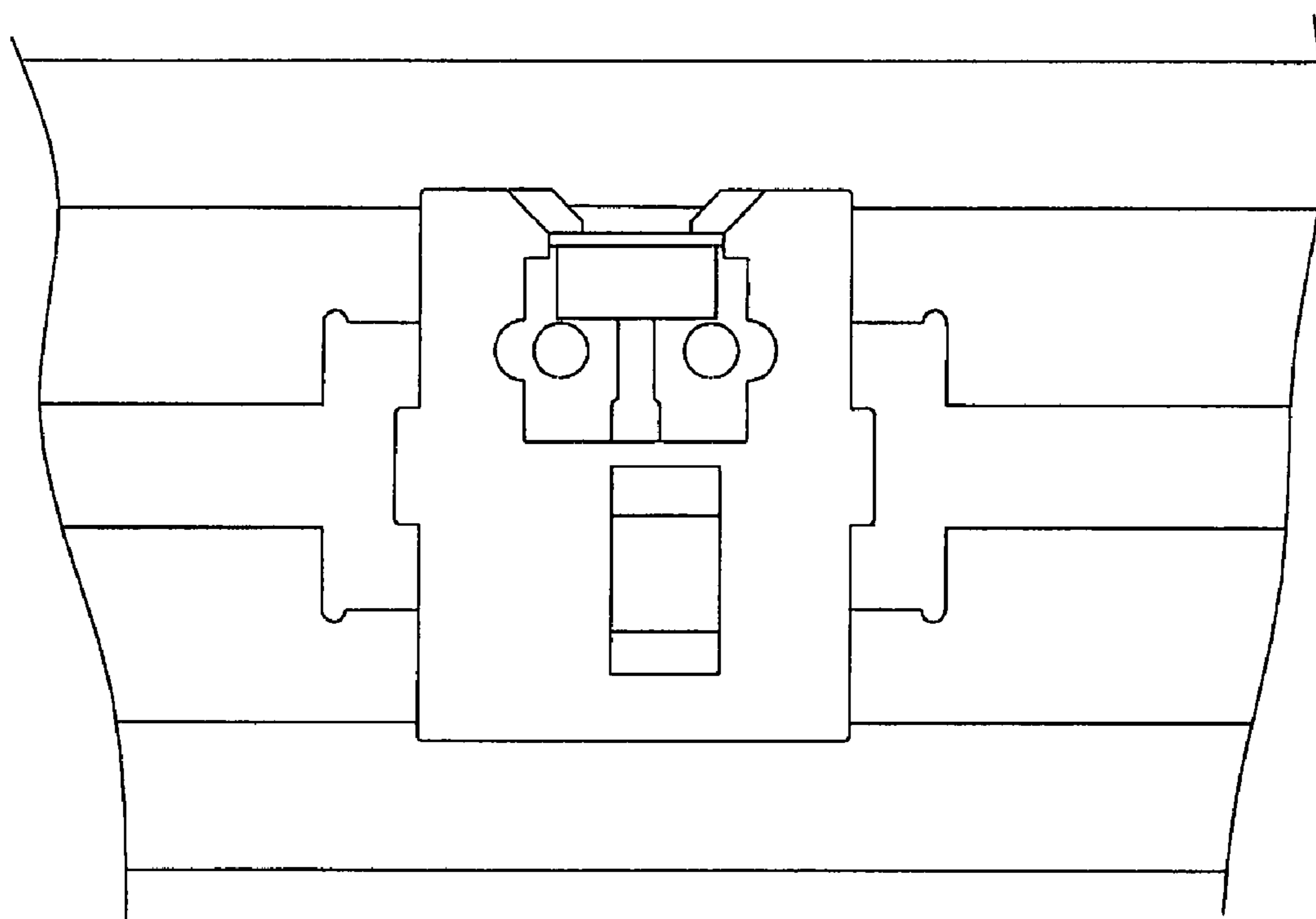


Fig. 6

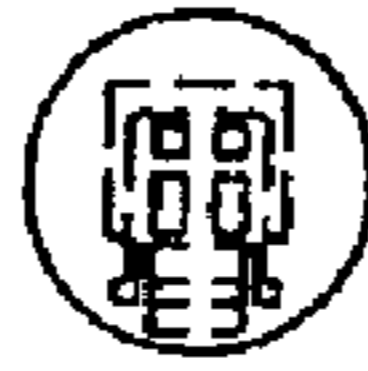


Fig. 7



Fig. 8

