



US00D550865S

(12) **United States Design Patent**  
**Kakuno et al.**

(10) **Patent No.:** **US D550,865 S**

(45) **Date of Patent:** **\*\* Sep. 11, 2007**

(54) **FLUORESCENT LAMP**

(75) Inventors: **Yoshinori Kakuno**, Kadoma (JP);  
**Shiro Iida**, Kadoma (JP); **Yasushige**  
**Tomiyoshi**, Kadoma (JP)

(73) Assignee: **Matsushita Electric Industrial Co.,**  
**Ltd.**, Osaka (JP)

(\*\*) Term: **14 Years**

(21) Appl. No.: **29/267,878**

(22) Filed: **Oct. 24, 2006**

(30) **Foreign Application Priority Data**

Aug. 8, 2006 (JP) ..... 2006-021017

(51) **LOC (8) Cl.** ..... **26-04**

(52) **U.S. Cl.** ..... **D26/3**

(58) **Field of Classification Search** ..... D26/1-4;  
313/313, 315, 317, 318, 493; 315/52, 53,  
315/565, 57, 58

See application file for complete search history.

(56) **References Cited**

**U.S. PATENT DOCUMENTS**

- D437,946 S 2/2001 Choi
- D493,546 S \* 7/2004 Kim ..... D26/3
- D498,312 S \* 11/2004 Leung et al. .... D26/3

- D498,547 S 11/2004 Leung et al.
- D509,605 S \* 9/2005 Egawa ..... D26/3
- D512,523 S \* 12/2005 Leung et al. .... D26/3
- D516,230 S \* 2/2006 Vakil ..... D26/3
- D529,636 S \* 10/2006 Kakuno et al. .... D26/3
- D532,533 S \* 11/2006 Leung ..... D26/3

\* cited by examiner

*Primary Examiner*—Marcus A. Jackson

(74) *Attorney, Agent, or Firm*—Brinks Hofer Gilson & Lione

(57) **CLAIM**

We claim the ornamental design for a fluorescent lamp, as shown and described.

**DESCRIPTION**

FIG. 1 is a top perspective view of a fluorescent lamp of the present invention;

FIG. 2 is a front view thereof;

FIG. 3 is a top view thereof;

FIG. 4 is a bottom view thereof;

FIG. 5 is a first side view thereof;

FIG. 6 is a second side view thereof; and,

FIG. 7 is a rear view thereof.

**1 Claim, 4 Drawing Sheets**

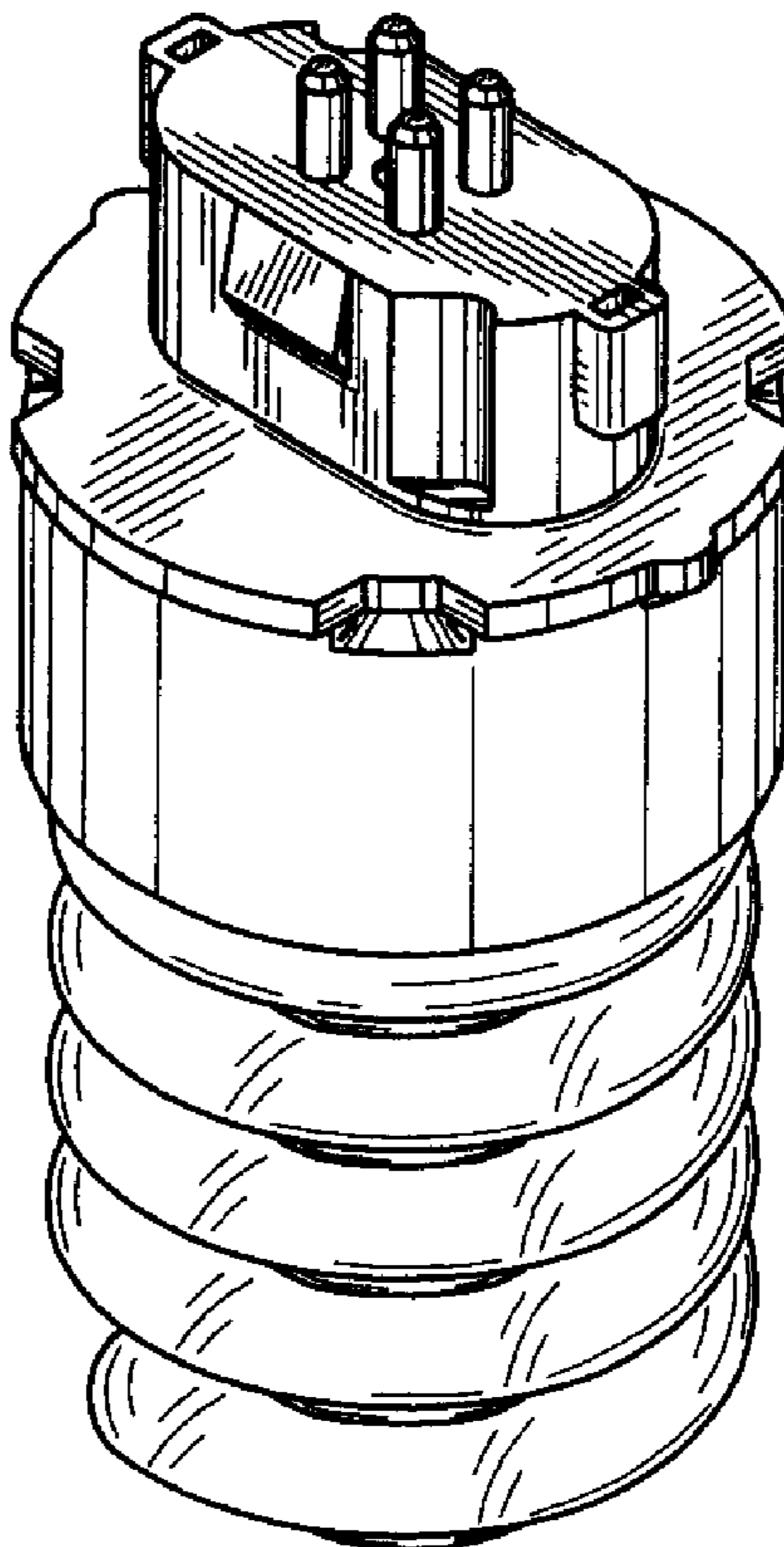


FIG. 1

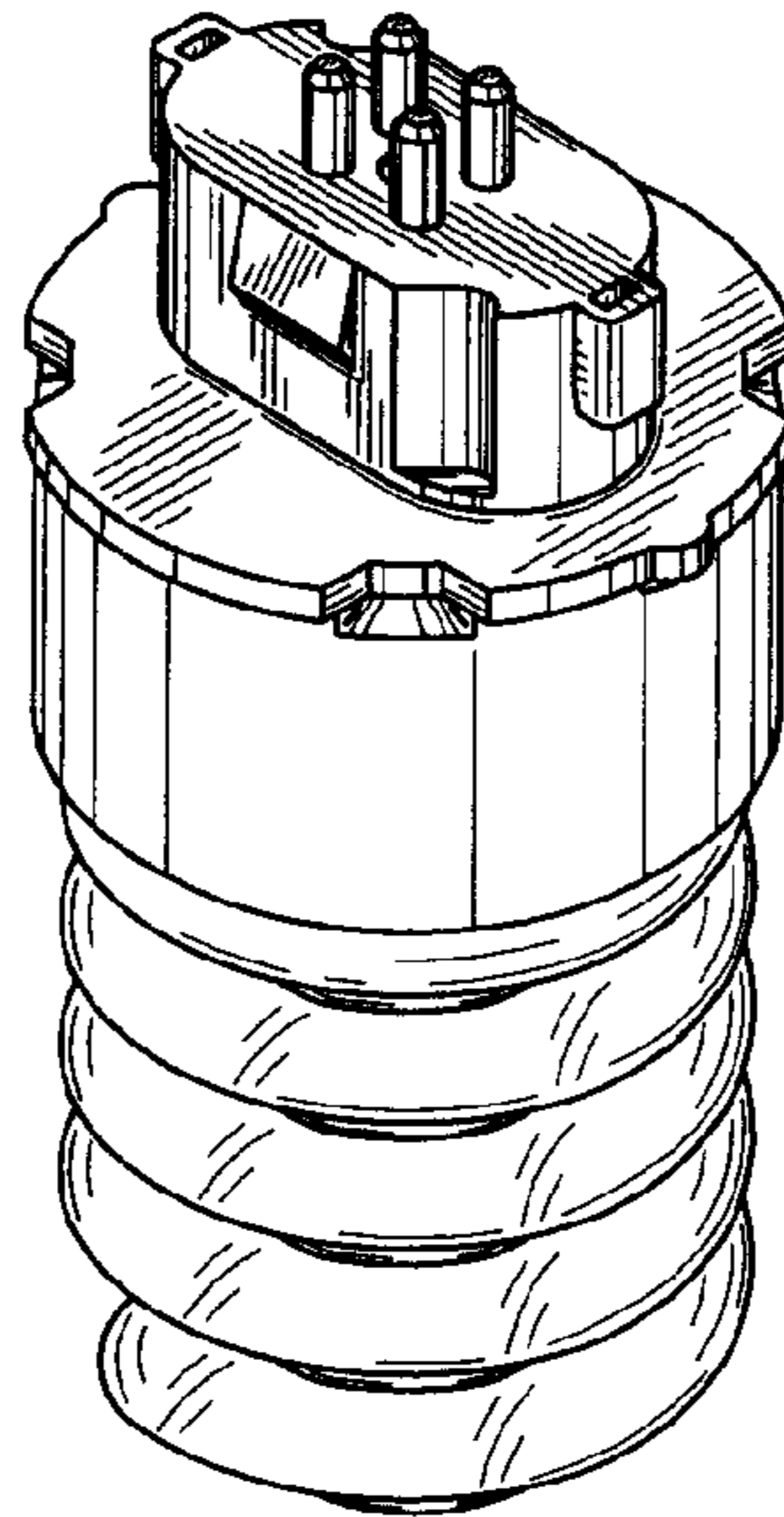


FIG. 2

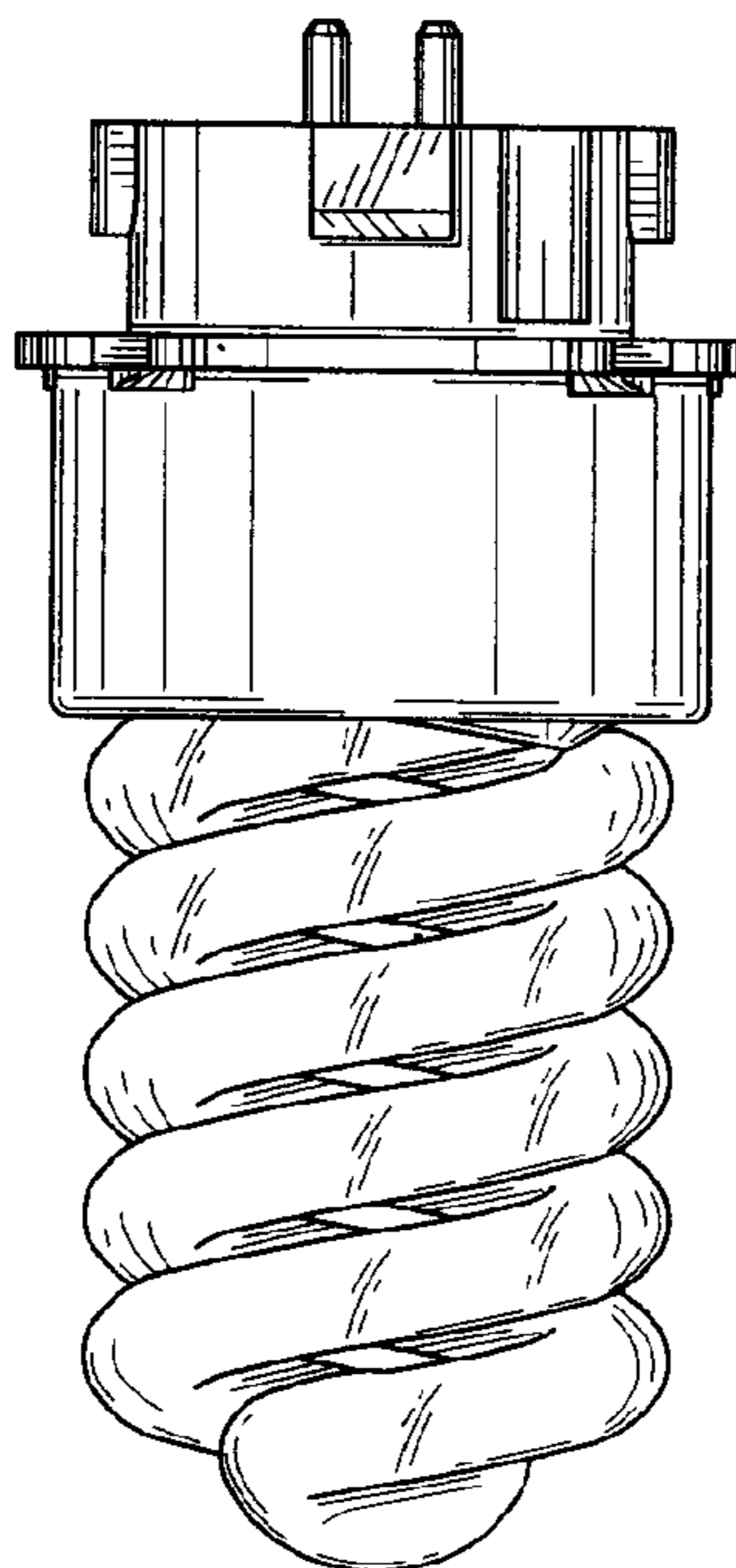


FIG. 3

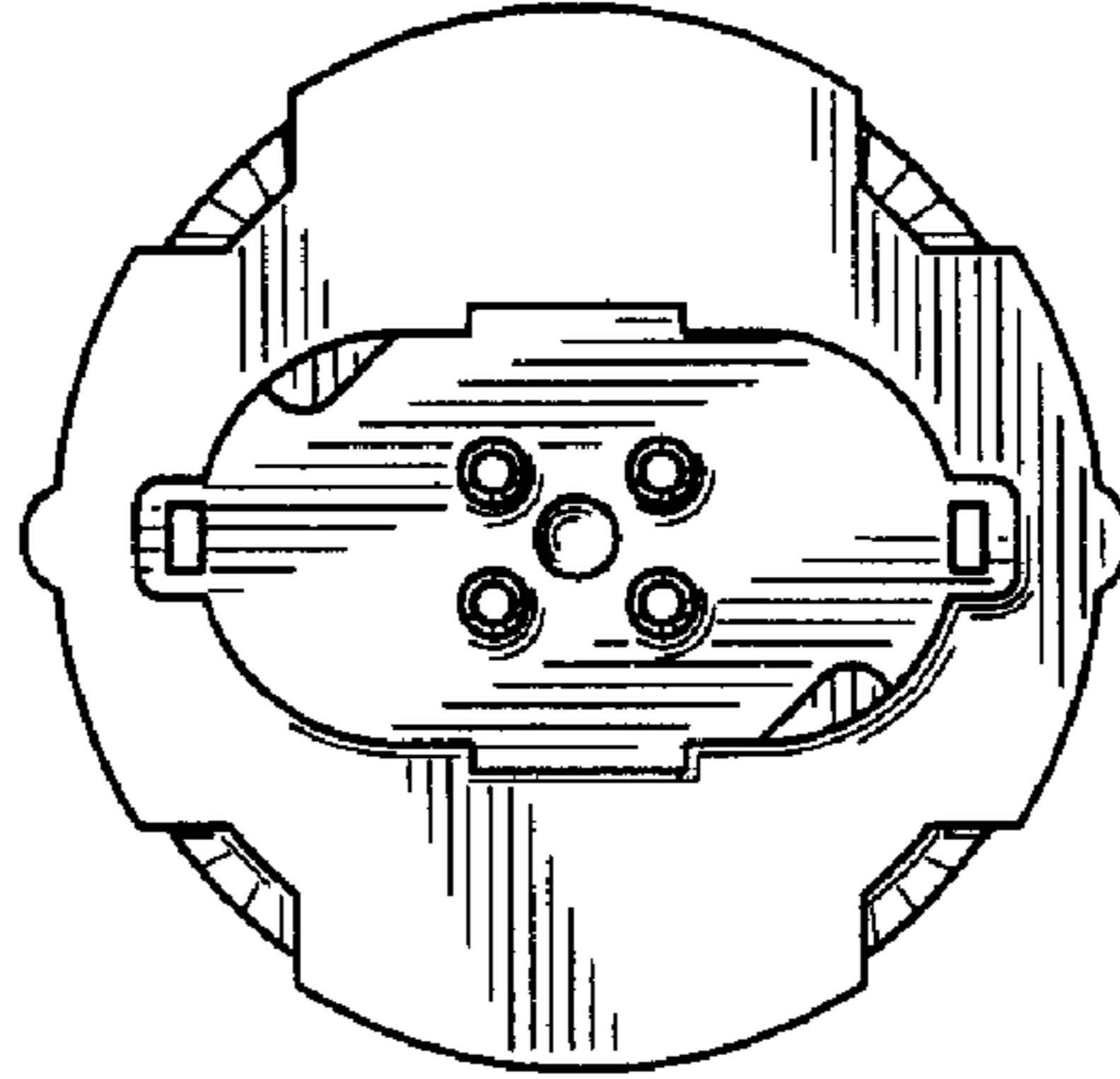


FIG. 4

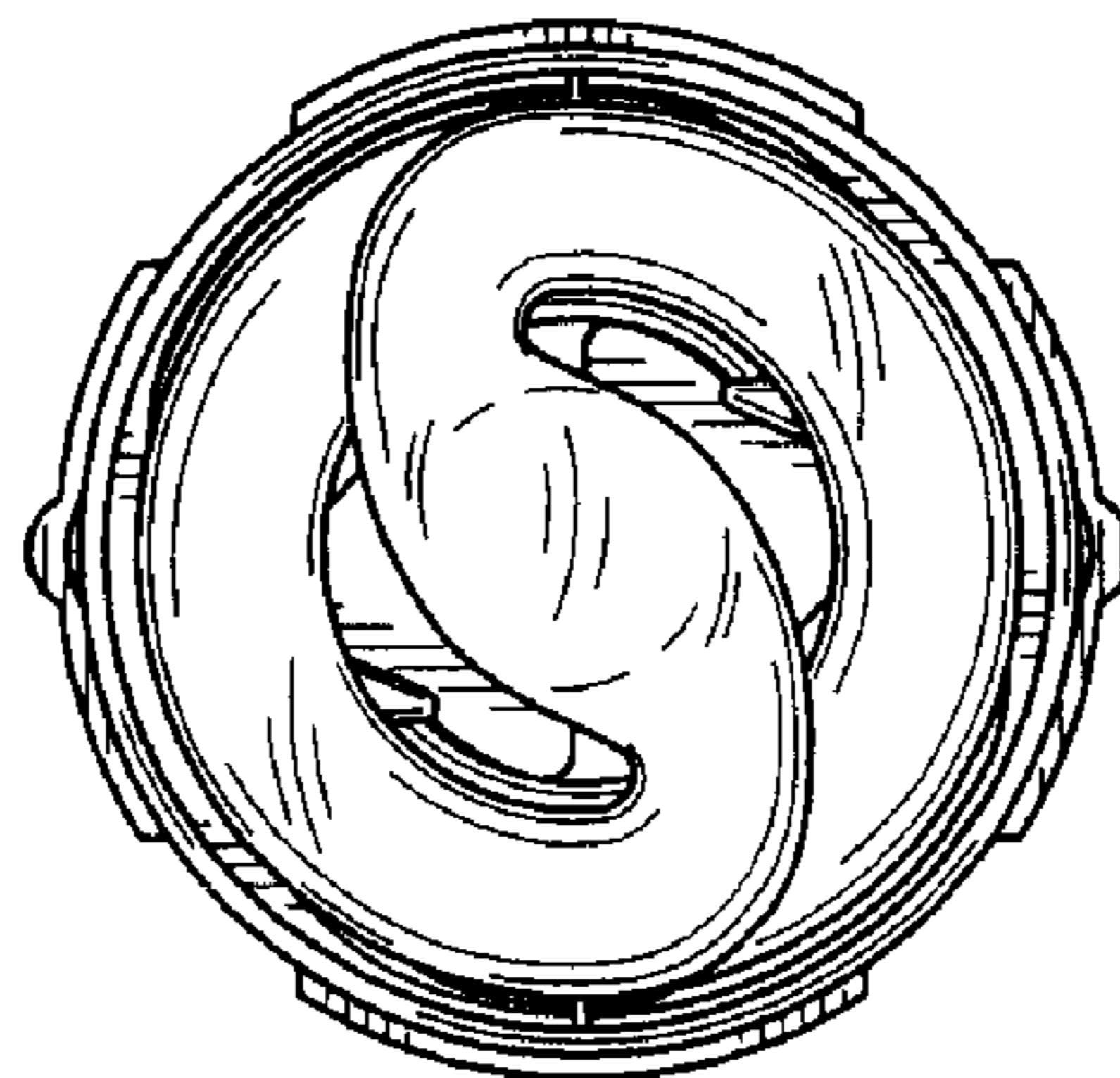


FIG. 5

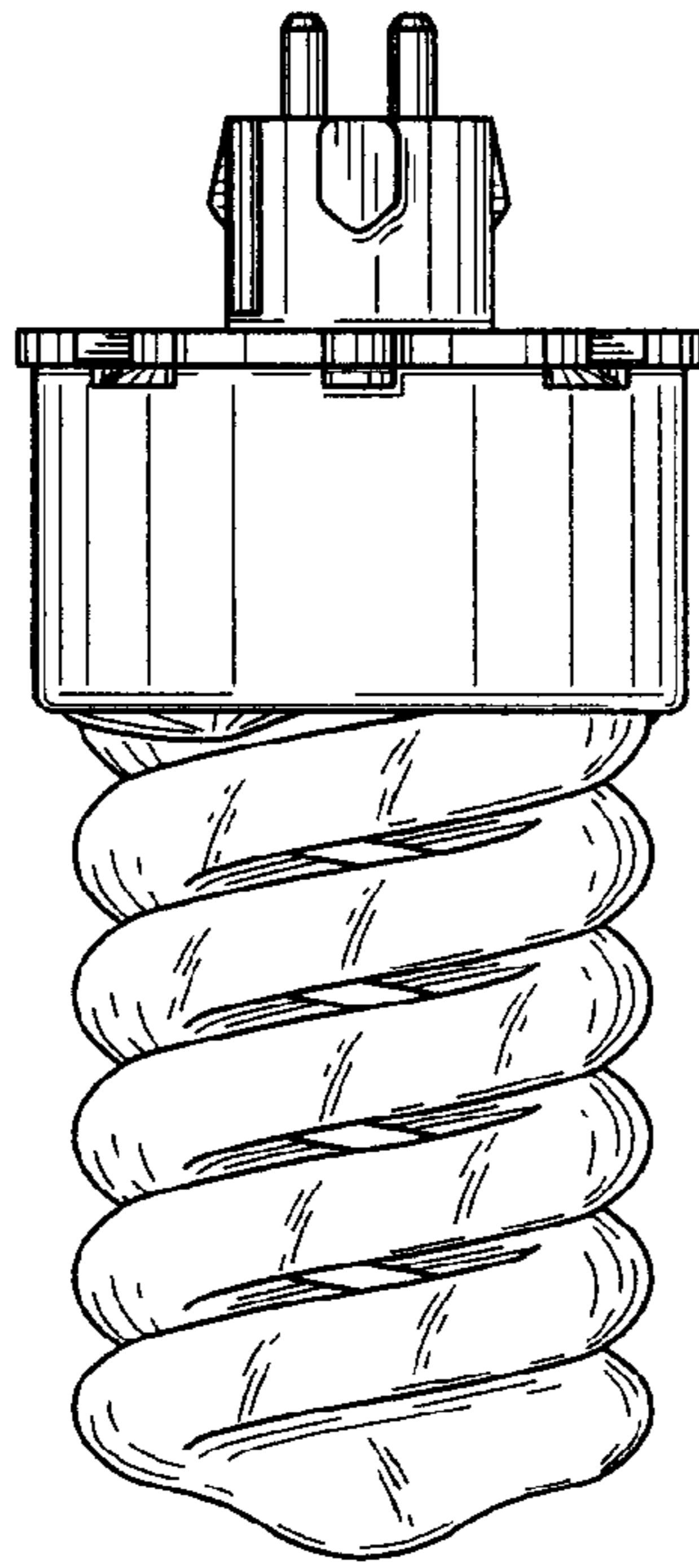


FIG. 6

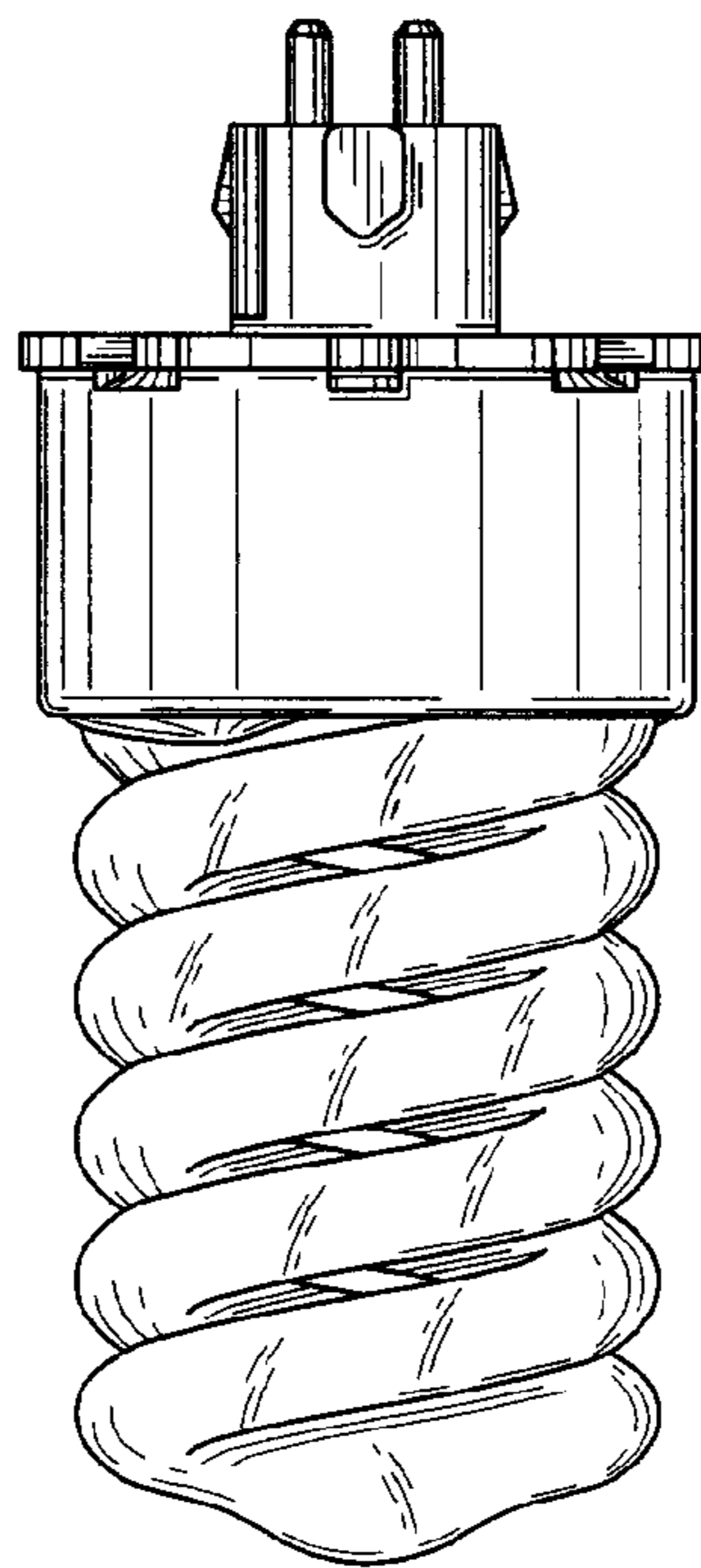


FIG. 7

