



US00D550862S

(12) **United States Design Patent**  
**Brabeck et al.**

(10) **Patent No.:** **US D550,862 S**

(45) **Date of Patent:** **\*\* Sep. 11, 2007**

(54) **SECTION**

(75) Inventors: **Steve John Brabeck**, Ormeau (AU);  
**Peter Alexander Bouma**, Ormeau (NZ)

(73) Assignee: **IPH International Pty Ltd**, Ormeau,  
Queensland (AU)

(\*\*) Term: **14 Years**

(21) Appl. No.: **29/247,447**

(22) Filed: **Jun. 19, 2006**

(30) **Foreign Application Priority Data**

Dec. 19, 2005 (AU) ..... 200515624

(51) **LOC (8) Cl.** ..... **25-01**

(52) **U.S. Cl.** ..... **D25/124**

(58) **Field of Classification Search** ..... D25/38,  
D25/45, 39, 121, 125, 124; 256/59, 65.01,  
256/68, 65.02, 65.03, 65.04, 65.05, 65.06,  
256/65.07, 65.08, 5, 65.09, 19, 65.12, 45,  
256/47, 24; 248/218.4, 219.1, 218  
See application file for complete search history.

(56) **References Cited**

**U.S. PATENT DOCUMENTS**

3,879,017 A \* 4/1975 Maxcy et al. .... 256/65.08

D237,271 S \* 10/1975 Edwards ..... D25/122  
4,390,165 A \* 6/1983 Murdock ..... 256/24  
D324,576 S \* 3/1992 Bell ..... D25/122  
5,704,690 A \* 1/1998 Schwartz ..... 297/451.9  
5,938,184 A \* 8/1999 DeSouza ..... 256/19  
D432,672 S \* 10/2000 Grosfillex ..... D25/124

\* cited by examiner

*Primary Examiner*—Doris Clark

(74) *Attorney, Agent, or Firm*—Workman Nydegger

(57) **CLAIM**

The ornamental design for a section, as shown and described.

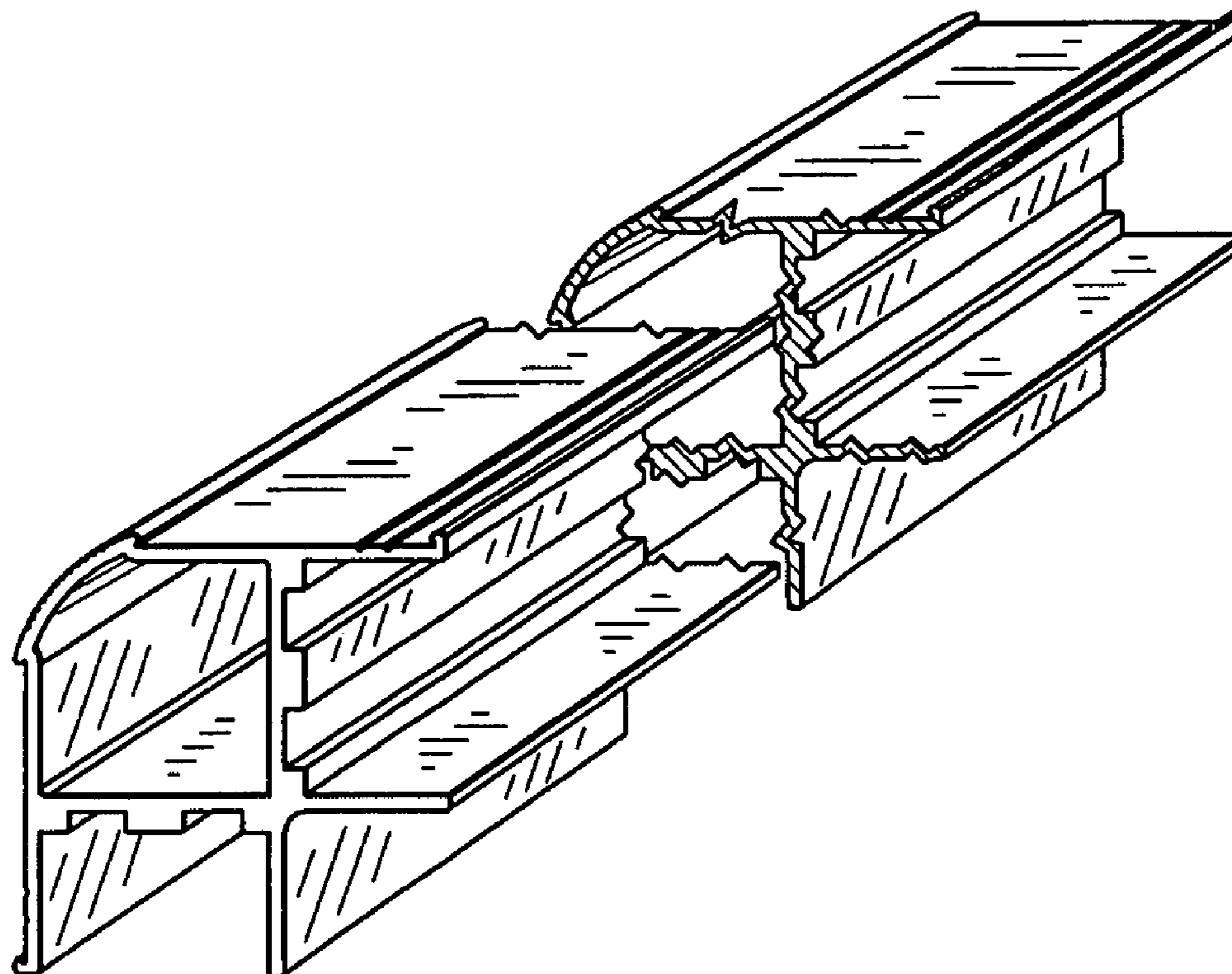
**DESCRIPTION**

FIG. 1 is an end view of a section showing our new design; FIG. 2 is a perspective view of the section shown in FIG. 1 showing the right side view and the top view; and,

FIG. 3 is an inverted perspective view of the section shown in FIG. 1 showing the left side view and the bottom view.

The end view not shown is a mirror image of the end shown in FIG. 1 and the section is of indefinite length.

**1 Claim, 1 Drawing Sheet**



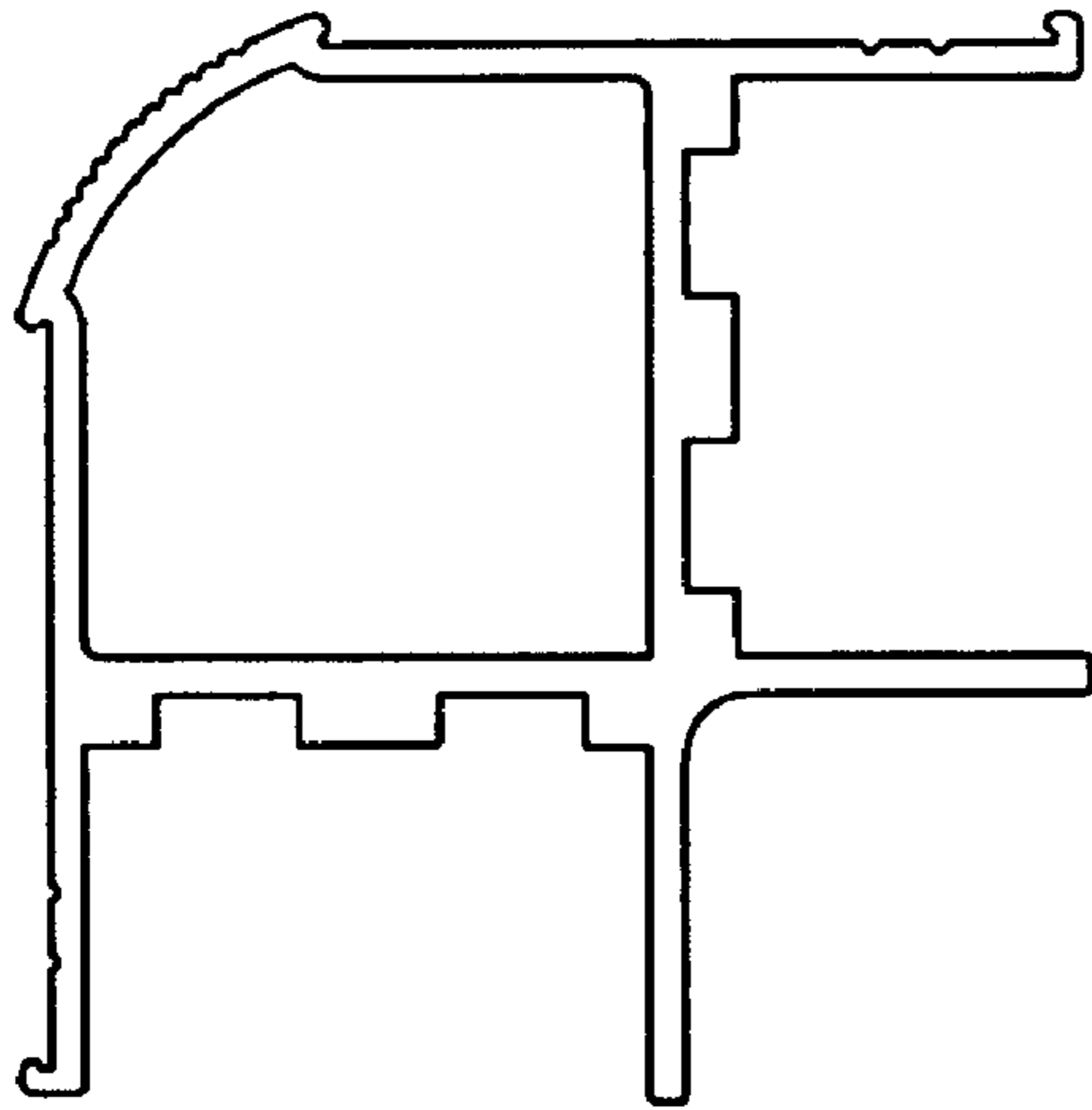


Fig. 1

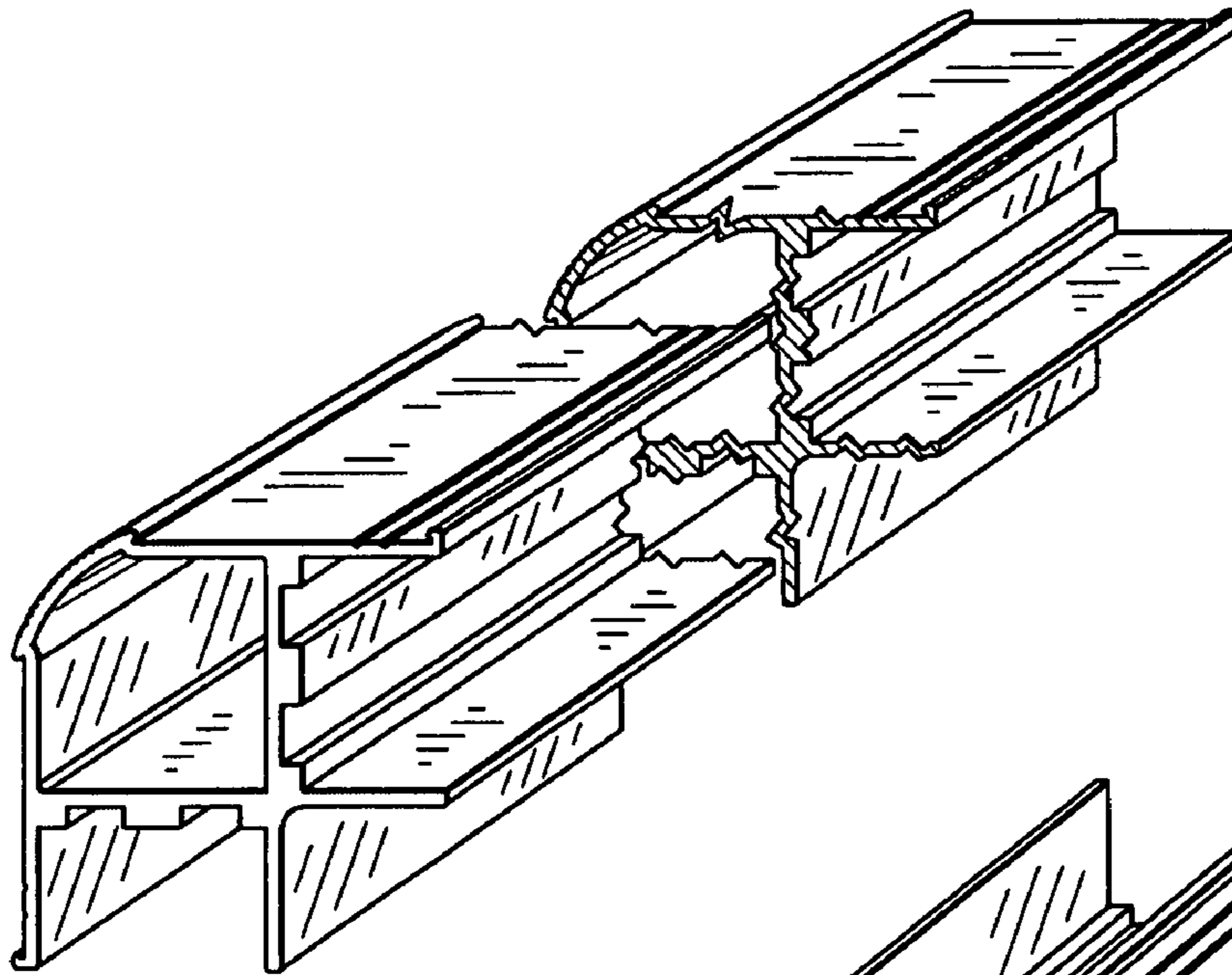


Fig. 2

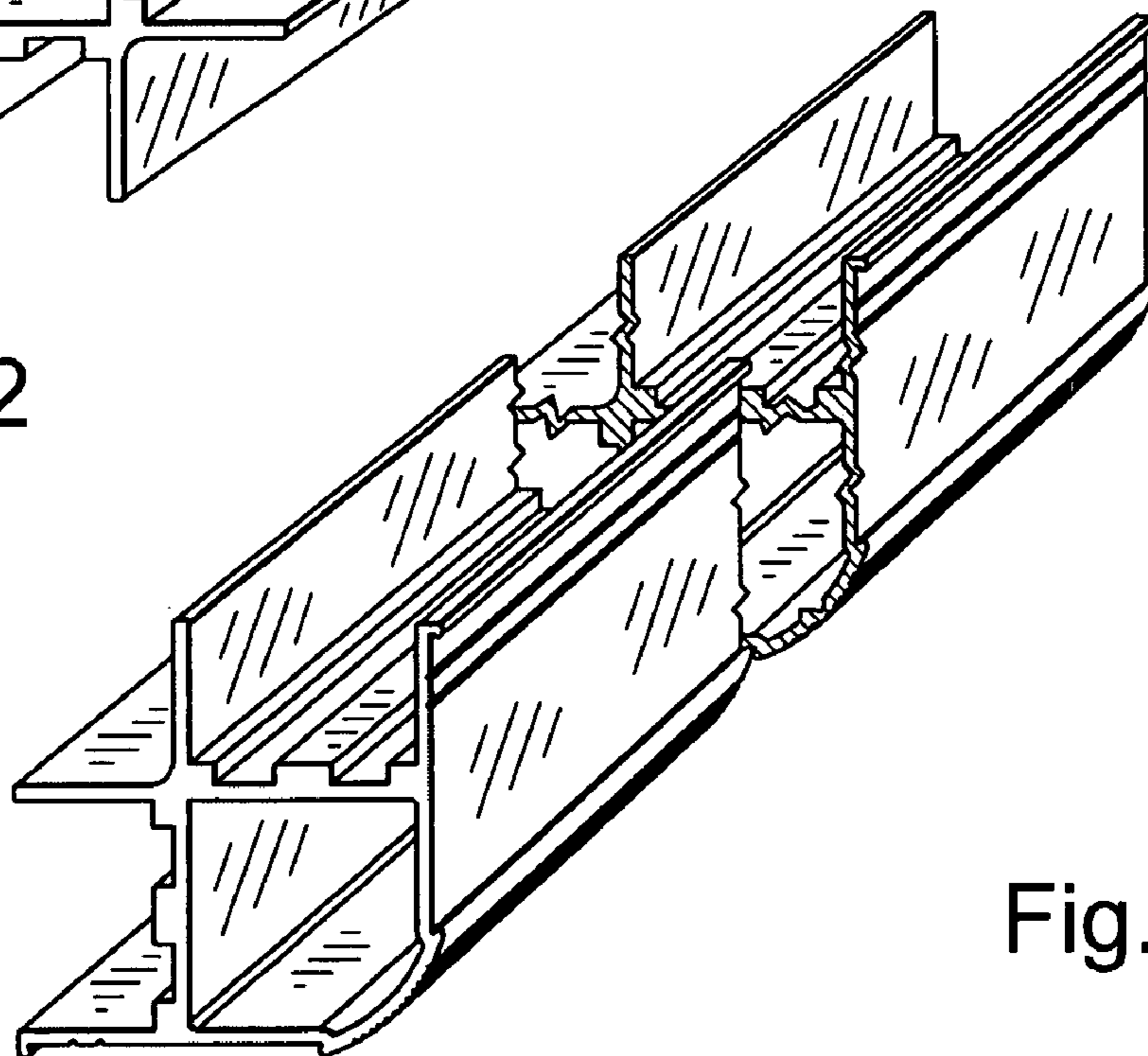


Fig. 3