



US00D550861S

(12) **United States Design Patent**  
**Brabeck et al.**

(10) **Patent No.: US D550,861 S**

(45) **Date of Patent: \*\* Sep. 11, 2007**

(54) **SECTION**

(75) Inventors: **Steve John Brabeck**, Ormeau (AU);  
**Peter Alexander Bouma**, Ormeau (AU)

(73) Assignee: **IPH International Pty Ltd**, Ormeau,  
Queensland (AU)

(\*\*) Term: **14 Years**

(21) Appl. No.: **29/247,449**

(22) Filed: **Jun. 19, 2006**

(51) **LOC (8) Cl.** ..... **25-01**

(52) **U.S. Cl.** ..... **D25/123**

(58) **Field of Classification Search** ..... D25/38,  
D25/45, 39, 121, 125, 123, 124; 256/59,  
256/65.01, 68, 65.02, 65.03, 65.04, 65.05,  
256/65.06, 65.07, 65.08, 5, 65.09, 19, 65.12,  
256/45, 47, 24; 248/218.4, 219.1, 218  
See application file for complete search history.

(56) **References Cited**

**U.S. PATENT DOCUMENTS**

3,879,017 A \* 4/1975 Maxcy et al. .... 256/65.08  
D237,271 S \* 10/1975 Edwards ..... D25/122  
D242,626 S \* 12/1976 Scrivener ..... D25/123  
4,390,165 A \* 6/1983 Murdock ..... 256/24

5,704,690 A \* 1/1998 Schwartz ..... 297/451.9  
5,938,184 A \* 8/1999 DeSouza ..... 256/19  
D421,808 S \* 3/2000 Chaney et al. .... D25/125  
D480,157 S \* 9/2003 Benteftifa et al. .... D25/125

\* cited by examiner

*Primary Examiner*—Doris Clark

(74) *Attorney, Agent, or Firm*—Workman Nydegger

(57) **CLAIM**

The ornamental design for a section, as shown and described.

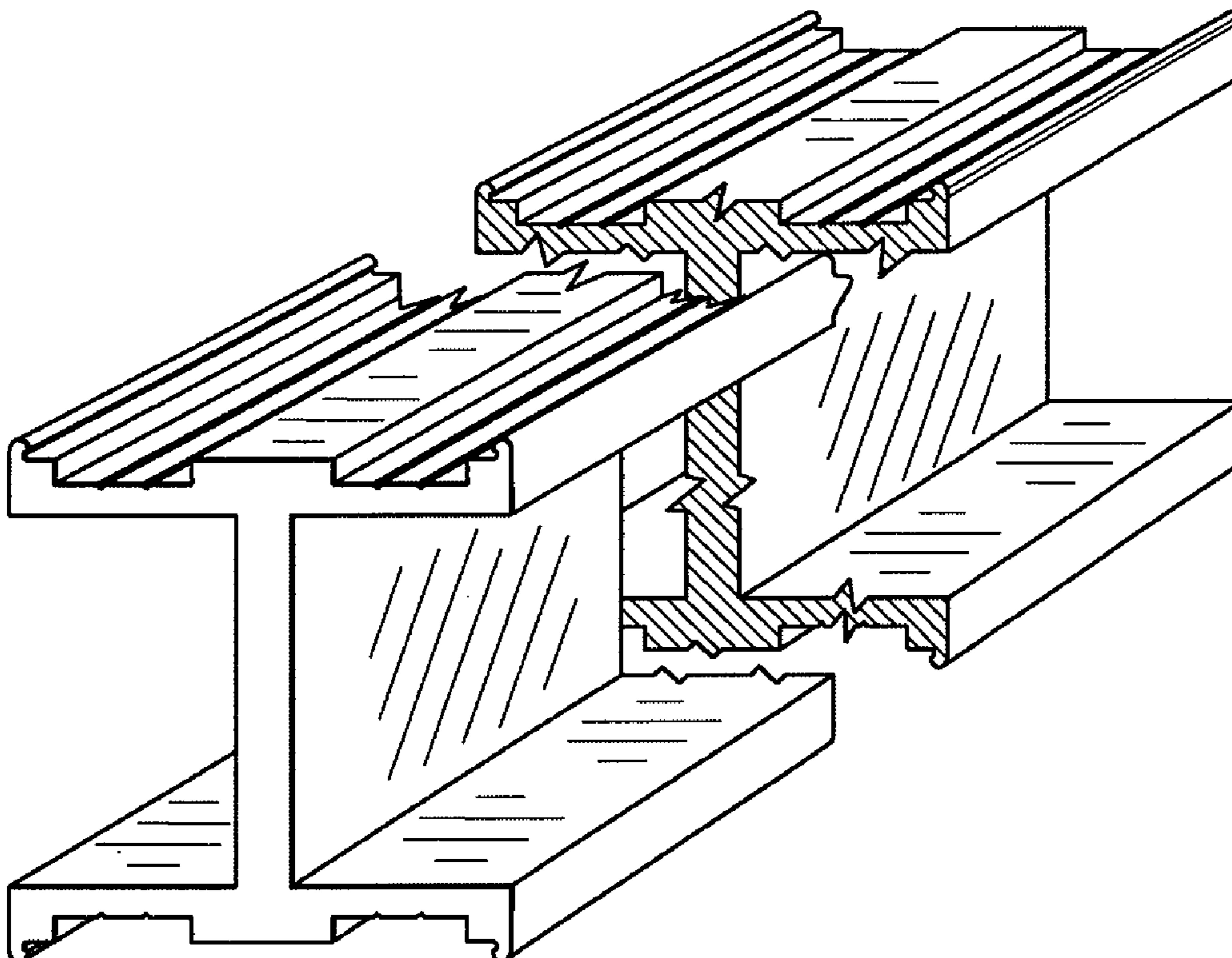
**DESCRIPTION**

FIG. 1 is an end view of a section showing our new design; FIG. 2 is a perspective view of the section shown in FIG. 1 showing the right side view and the top view, the inverted perspective view of the section shown in FIG. 2 being identical thereto; and,

FIG. 3 is a perspective view of the section shown in FIG. 1 rotated through 90 degrees showing the left side view and the top view.

The end view not shown is a mirror image of the end shown in FIG. 1 and the section is of indefinite length.

**1 Claim, 1 Drawing Sheet**



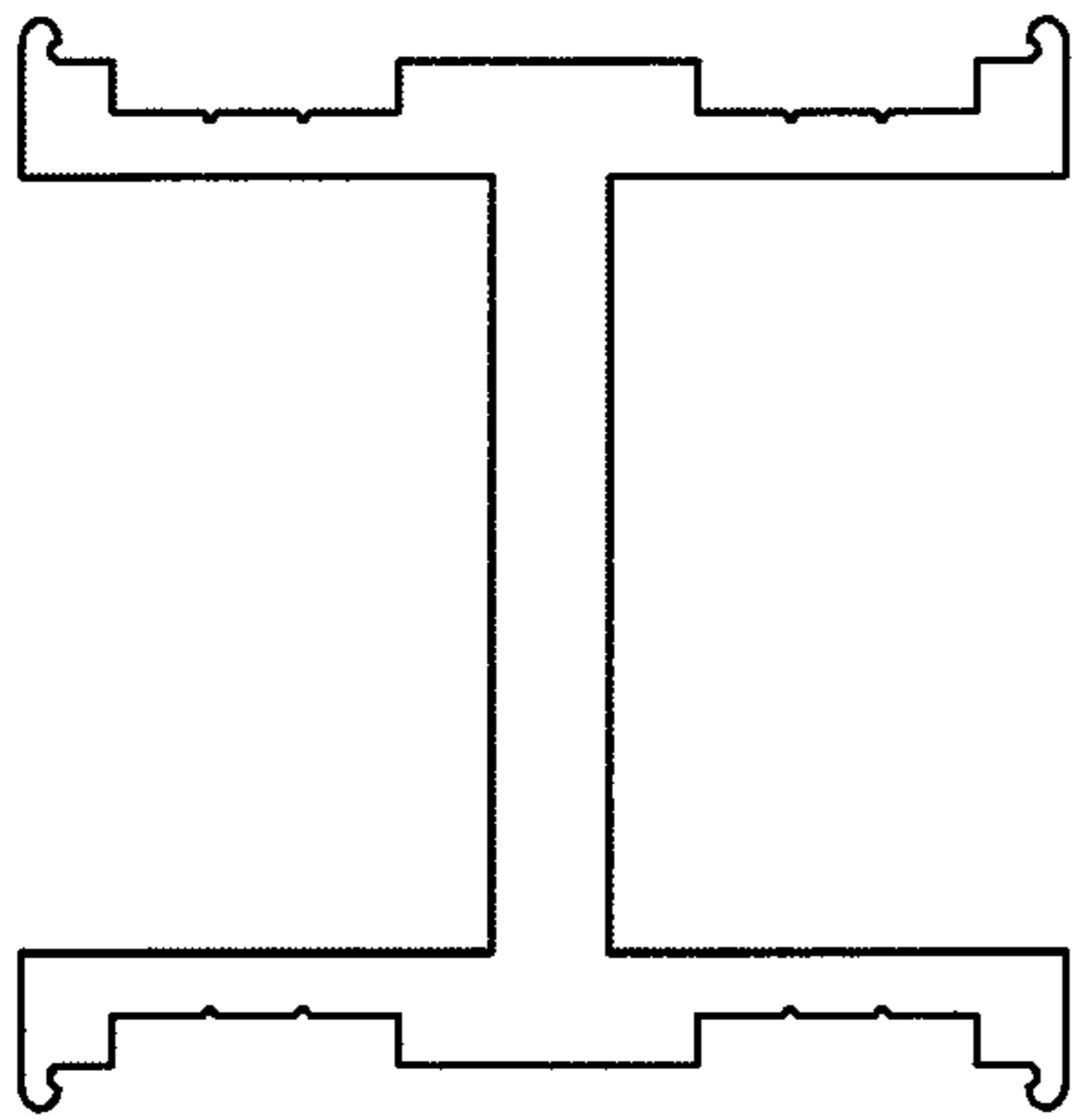


Fig. 1

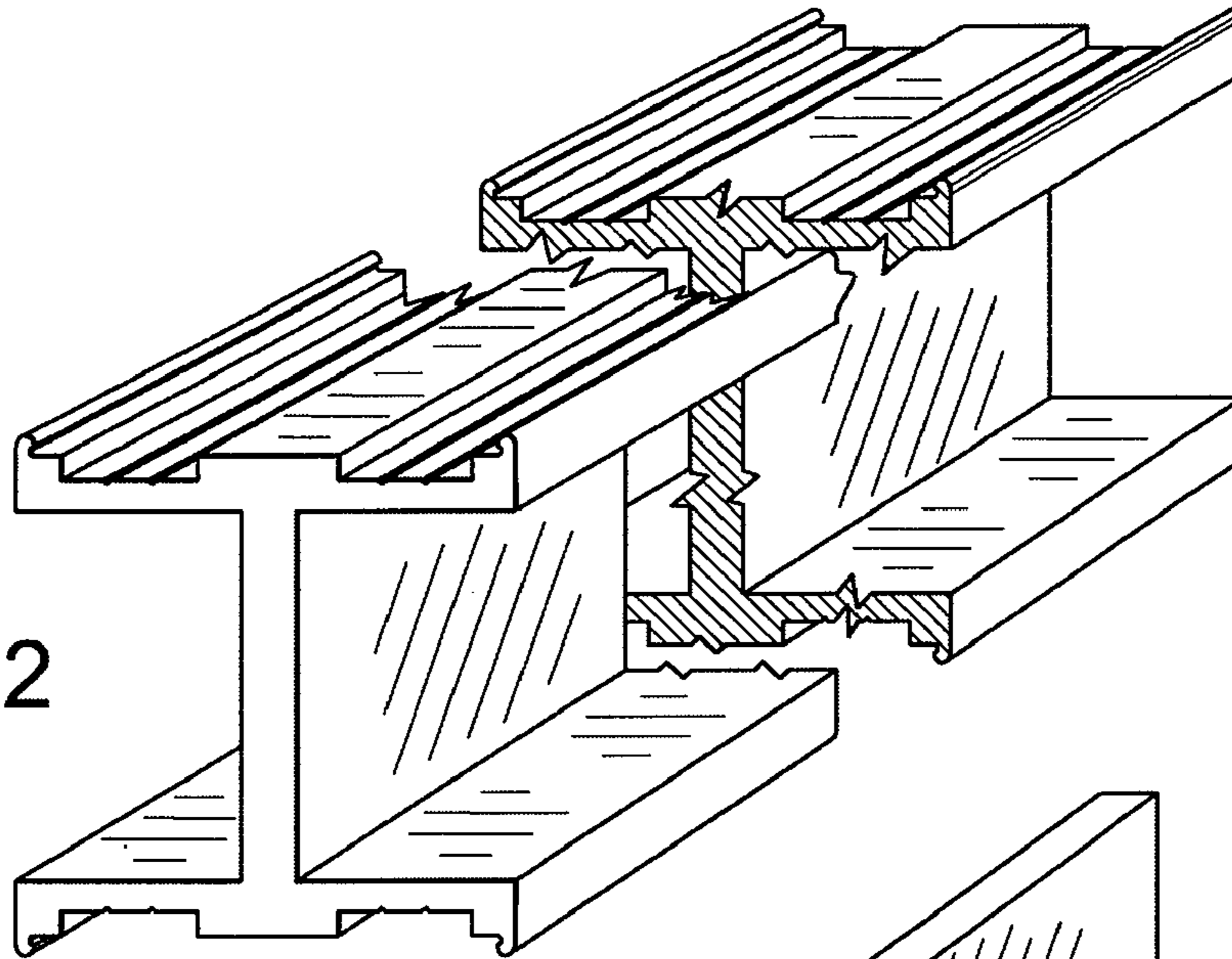


Fig. 2

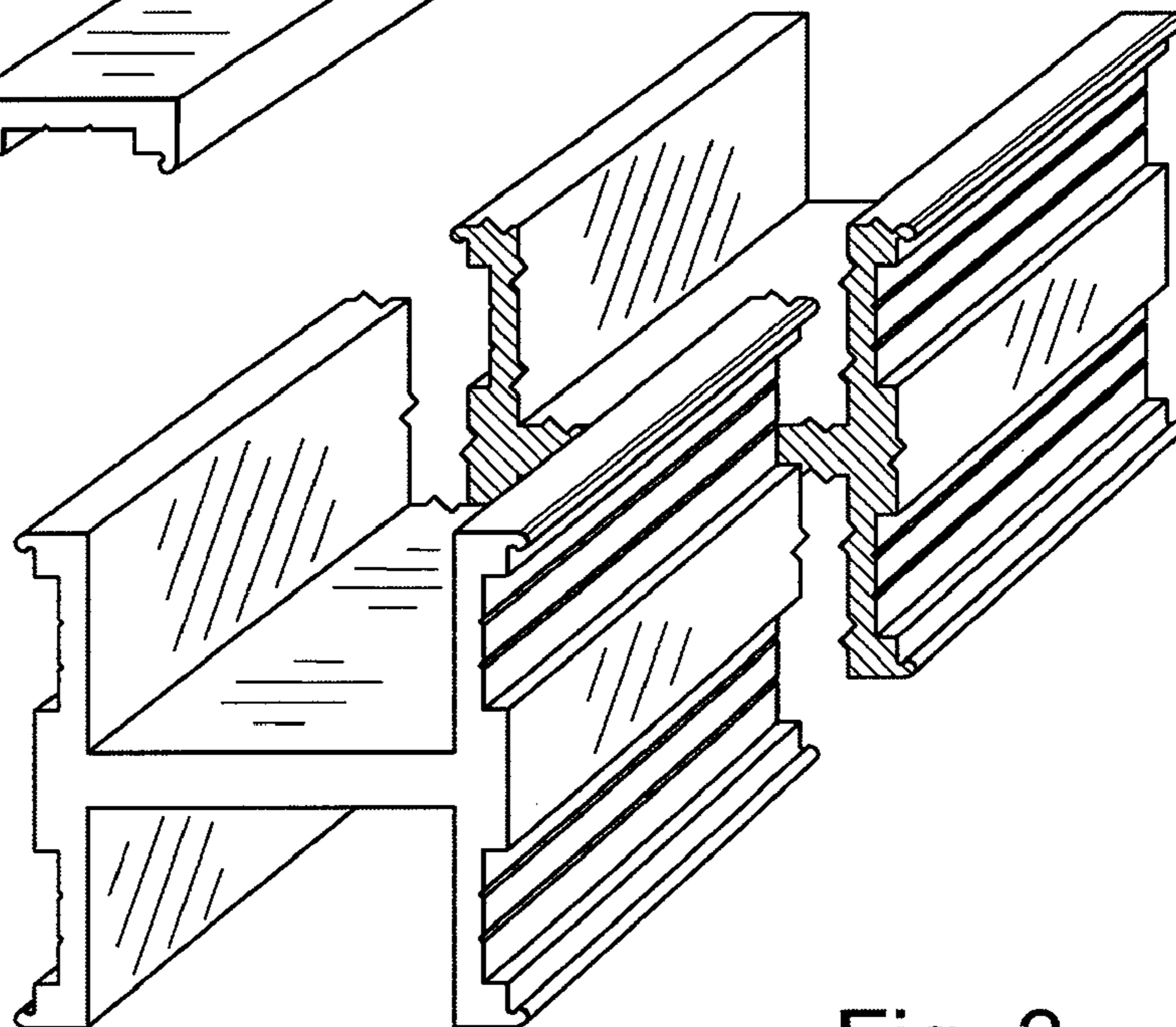


Fig. 3