



US00D550860S

(12) **United States Design Patent**
Price

(10) **Patent No.:** **US D550,860 S**

(45) **Date of Patent:** **** Sep. 11, 2007**

(54) **STACKABLE WALL BLOCK**

(75) Inventor: **Brian A. Price**, Rochester, MN (US)

(73) Assignee: **Mortarless Technologies, LLC**,
Rochester, MN (US)

(**) Term: **14 Years**

(21) Appl. No.: **29/260,138**

(22) Filed: **May 19, 2006**

(51) **LOC (8) Cl.** **25-01**

(52) **U.S. Cl.** **D25/113**

(58) **Field of Classification Search** D25/112-118;
D21/484-490, 499-502; 405/15-16, 33,
405/35, 284-286; 404/29-42; 52/503, 504,
52/575, 596-599, 603-605, 608, 612
See application file for complete search history.

(56) **References Cited**

U.S. PATENT DOCUMENTS

1,260,024	A *	3/1918	Parton	52/302.3
1,795,451	A *	3/1931	Sharpe	52/314
1,816,916	A *	8/1931	Sentrop	52/351
5,622,456	A *	4/1997	Risi et al.	405/284
5,647,185	A *	7/1997	Forlini	52/604
D403,437	S *	12/1998	Risi et al.	D25/113
D405,193	S *	2/1999	Scales	D25/113
D466,229	S *	11/2002	Risi et al.	D25/113
D479,342	S *	9/2003	Dawson	D25/113

6,651,401	B2	11/2003	Price et al.	
D485,371	S *	1/2004	Burgess et al. D25/113
7,059,808	B2 *	6/2006	Risi 405/284
7,096,635	B2	8/2006	Price	

OTHER PUBLICATIONS

“Classic” product literature, Rockwood Retaining Walls, 12 pgs., 1997.

* cited by examiner

Primary Examiner—Louis S. Zarfas

Assistant Examiner—Gregory Andoll

(74) *Attorney, Agent, or Firm*—Patterson, Thuente, Skaar & Christensen, P.A.

(57) **CLAIM**

I claim the ornamental design for a stackable wall block, as shown.

DESCRIPTION

FIG. 1 is a perspective view of a stackable wall block showing my new design.

FIG. 2 is a front view thereof.

FIG. 3 is a rear view thereof.

FIG. 4 is a bottom view thereof.

FIG. 5 is a top view thereof; and,

FIG. 6 is a side view thereof.

1 Claim, 3 Drawing Sheets

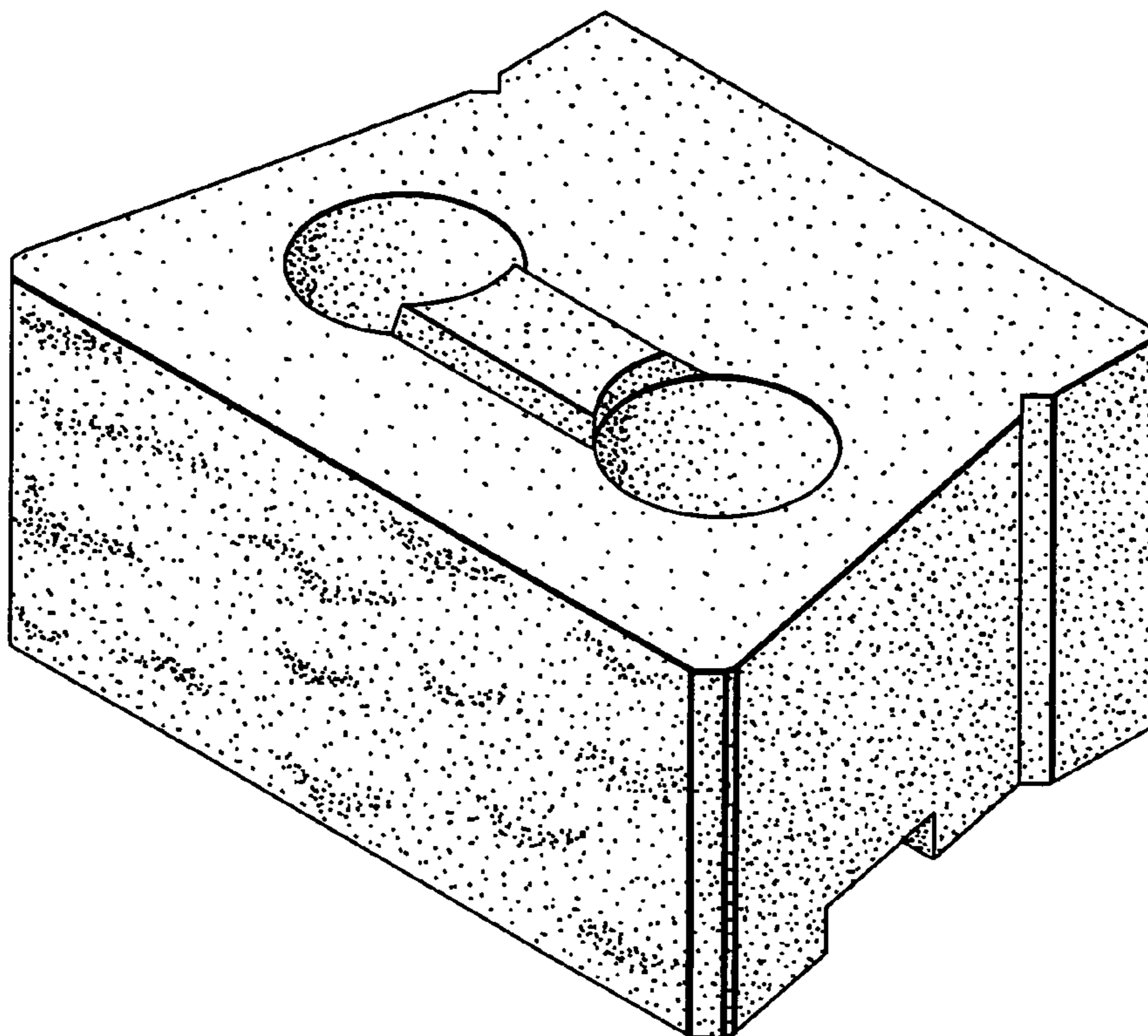


Fig. 1

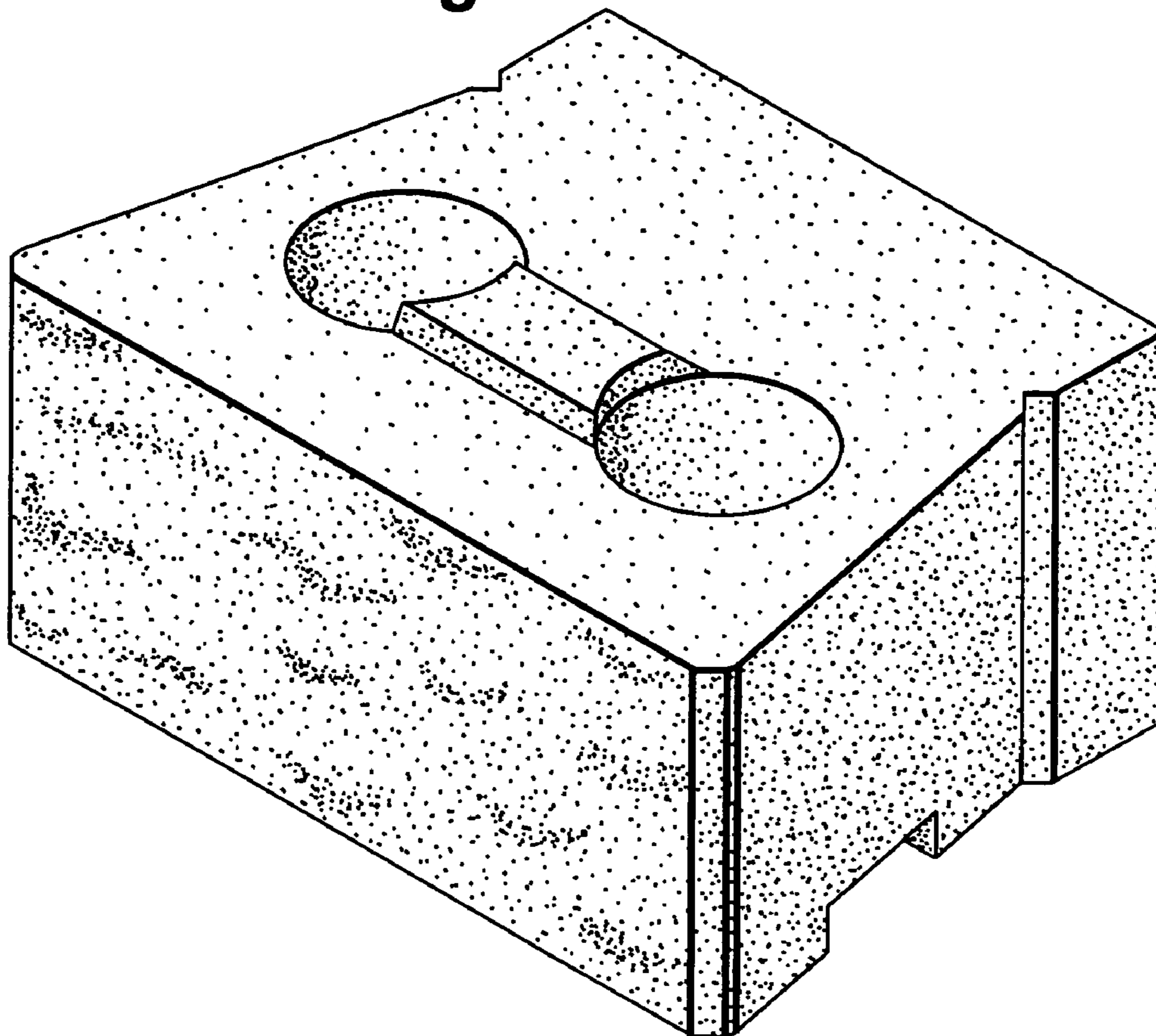


Fig. 2

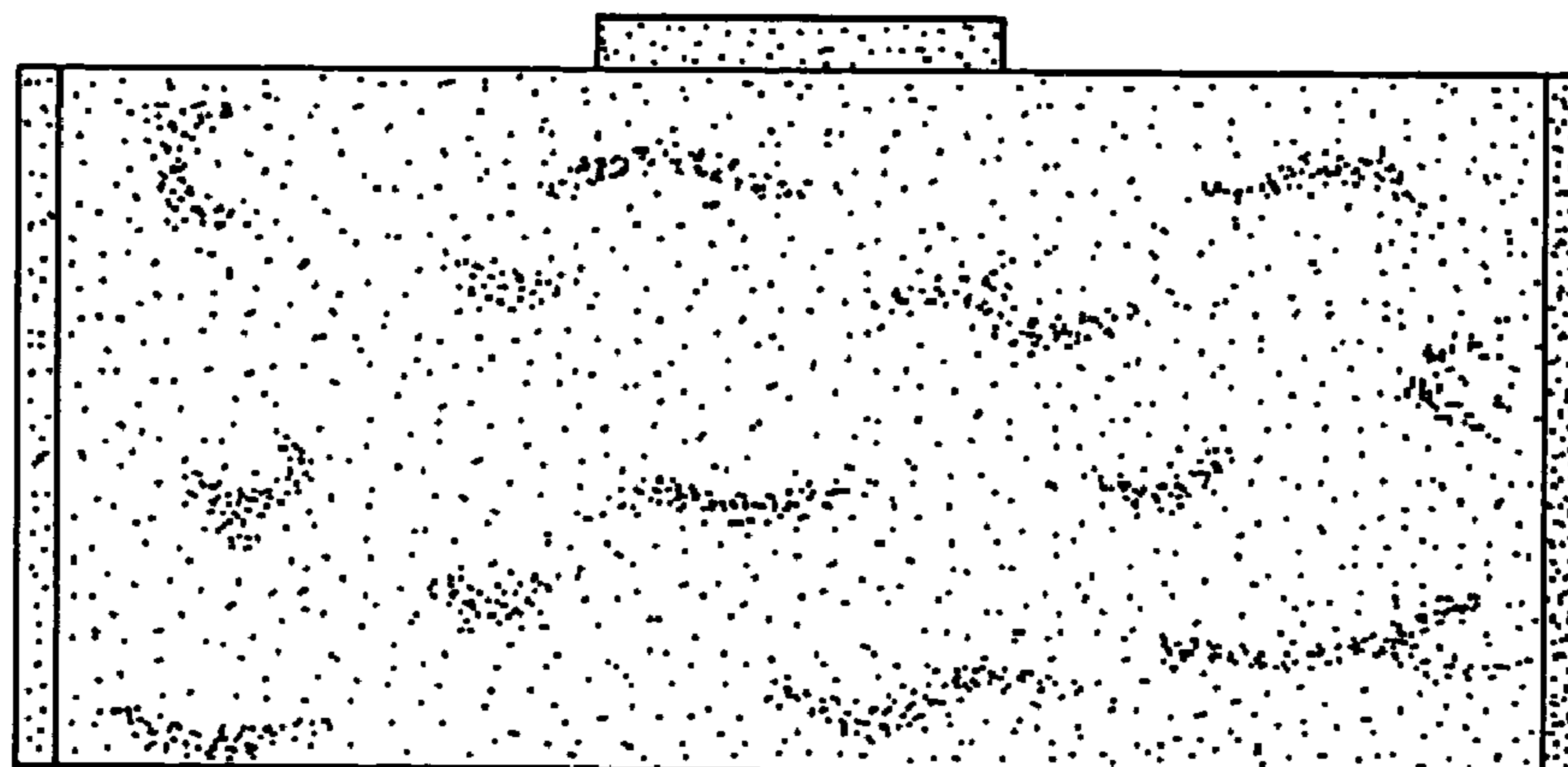


Fig. 3

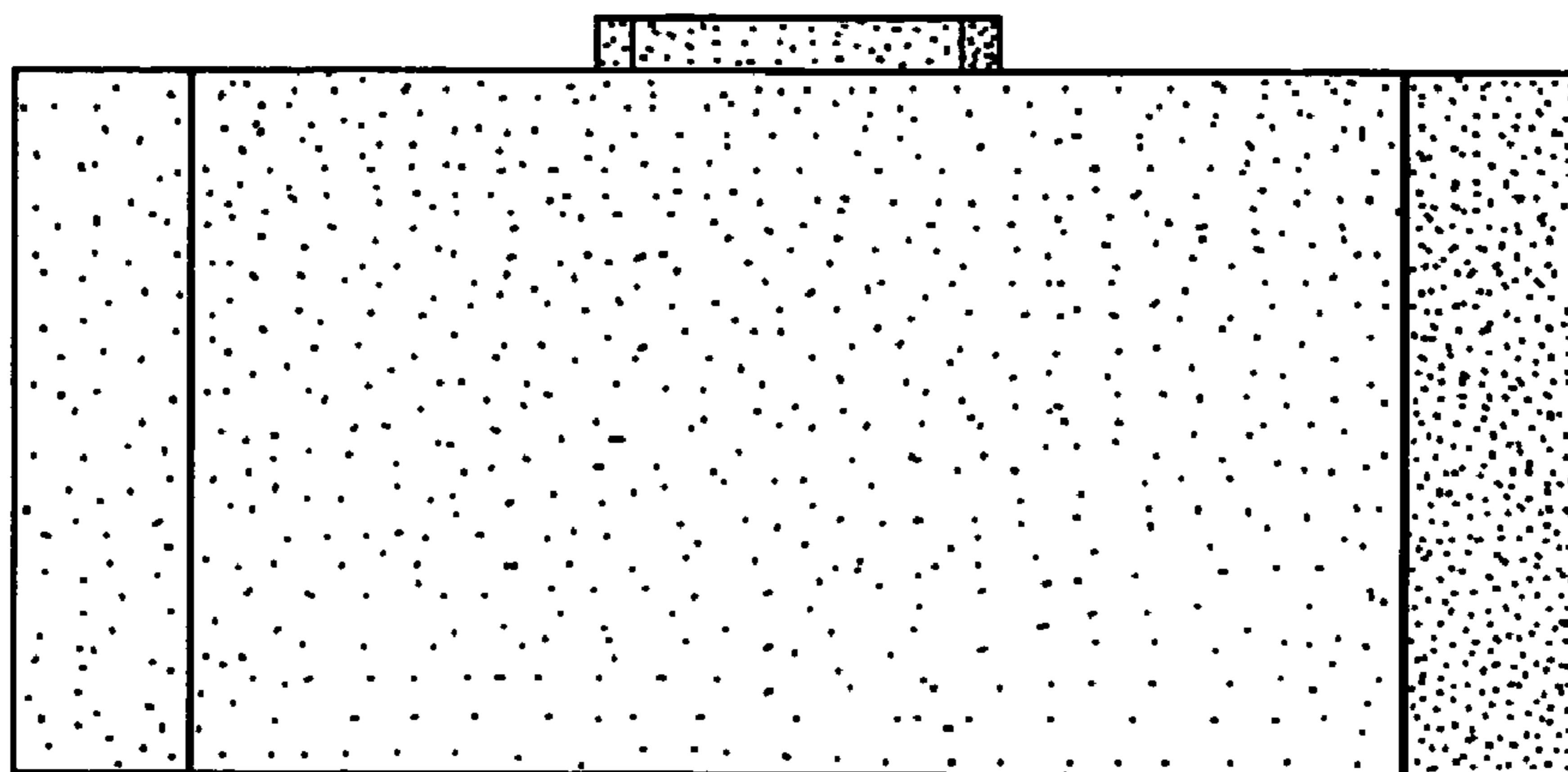


Fig. 4

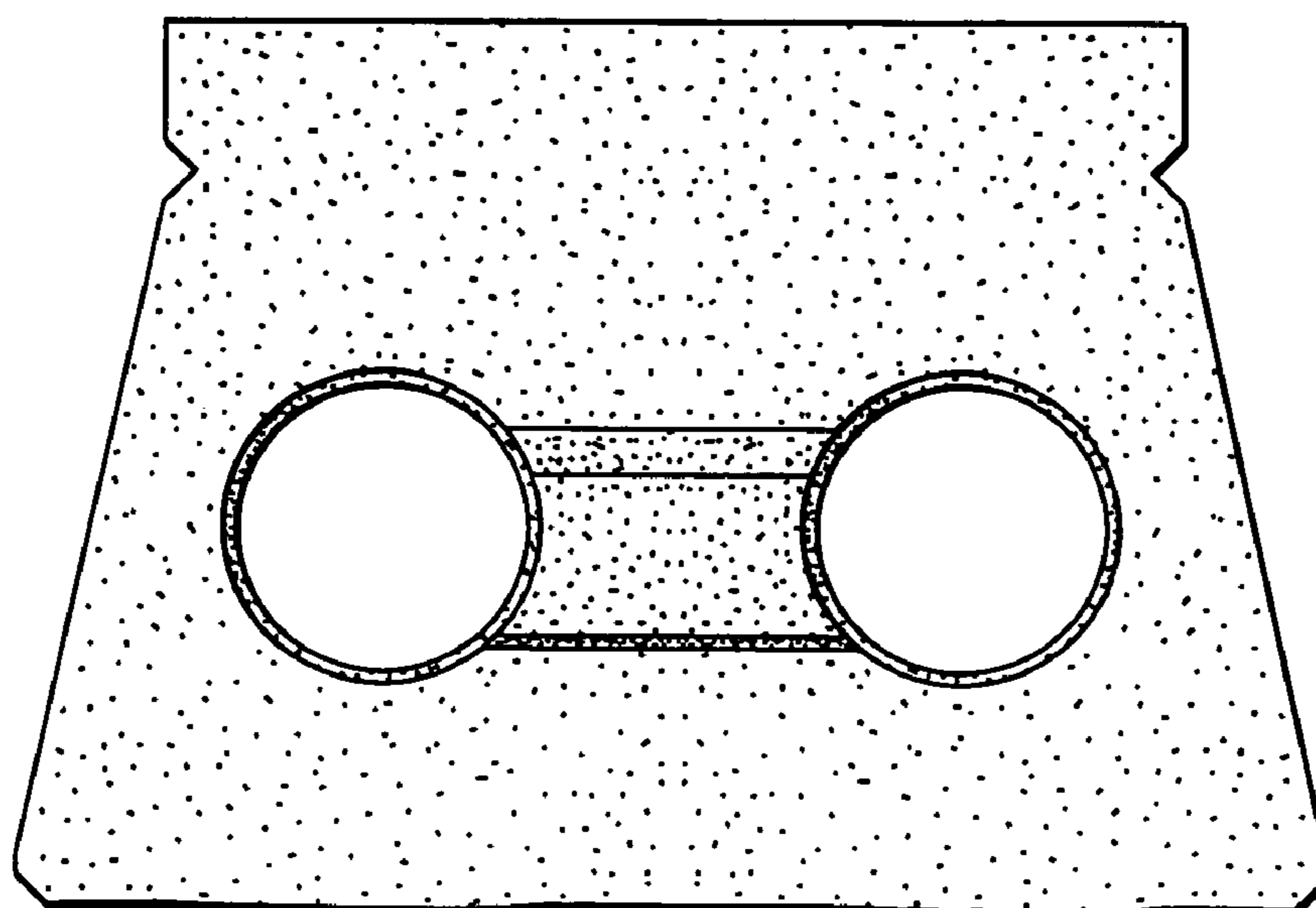


Fig. 5

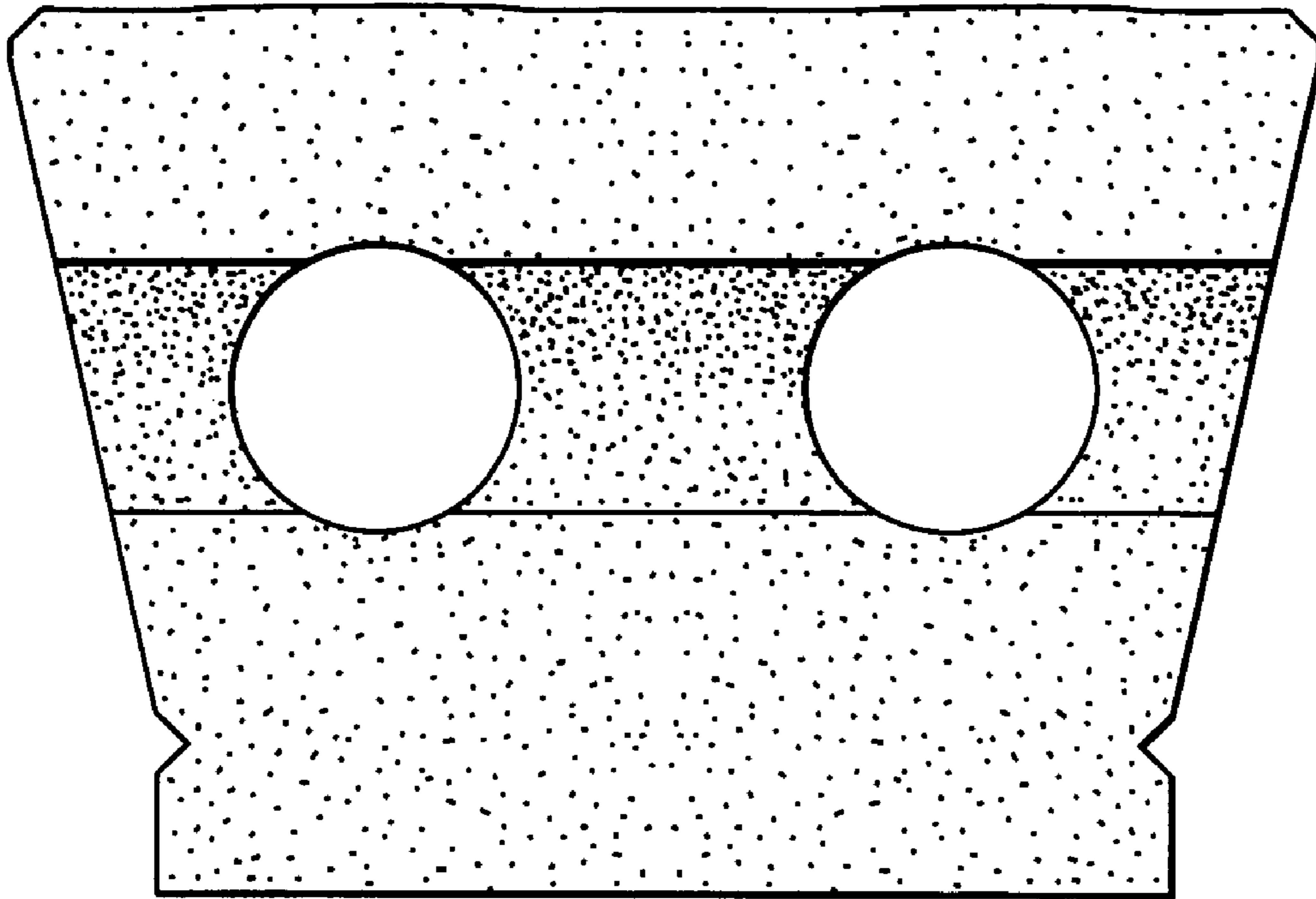


Fig. 6

