



US00D550856S

(12) **United States Design Patent** (10) **Patent No.:** **US D550,856 S**  
**Hackett et al.** (45) **Date of Patent:** **\*\* Sep. 11, 2007**

- (54) **STEEL DOOR PANEL GROUPING** 3,212,948 A 10/1965 McMahon
- 3,308,013 A 3/1967 Bryant
- (75) Inventors: **James S. Hackett**, Klamath Falls, OR 3,512,304 A 5/1970 Meuret
- (US); **Rod C. Harlin**, Klamath Falls, 3,533,190 A 10/1970 Hilfinger et al.
- OR (US); **Daniel Stanley Malicki**, 3,546,841 A 12/1970 Smith et al.
- Klamath Falls, OR (US) D222,775 S 12/1971 Sartori
- 3,639,200 A 2/1972 Elmendorf et al.
- (73) Assignee: **JELD-WEN, inc**, Klamath Falls, OR 3,796,586 A 3/1974 Hanlon et al.
- (US) 3,987,599 A 10/1976 Hines

(Continued)

(\*\*) Term: **14 Years**

**FOREIGN PATENT DOCUMENTS**

(21) Appl. No.: **29/268,347**

CA 57271 10/1986

(22) Filed: **Nov. 3, 2006**

(Continued)

**Related U.S. Application Data**

**OTHER PUBLICATIONS**

(60) Division of application No. 29/188,769, filed on Aug. 22, 2003, now Pat. No. Des. 532,114, which is a continuation-in-part of application No. 29/185,791, filed on Jul. 2, 2003, now abandoned.

Masonite Brand Door Facings—brochure, published in 1987.

(Continued)

(51) **LOC (8) Cl.** ..... **25-02**

*Primary Examiner*—Doris Clark

(52) **U.S. Cl.** ..... **D25/48**

(74) *Attorney, Agent, or Firm*—Nelson Mullins Riley & Scarborough LLP

(58) **Field of Classification Search** ..... D25/48;

49/504, 501, DIG. 2; D6/561; 312/109, 312/326; 52/311.1, 311.2, 314, 455, 457

See application file for complete search history.

(57) **CLAIM**

The ornamental design for a steel door panel grouping, as shown and described.

(56) **References Cited**

**DESCRIPTION**

**U.S. PATENT DOCUMENTS**

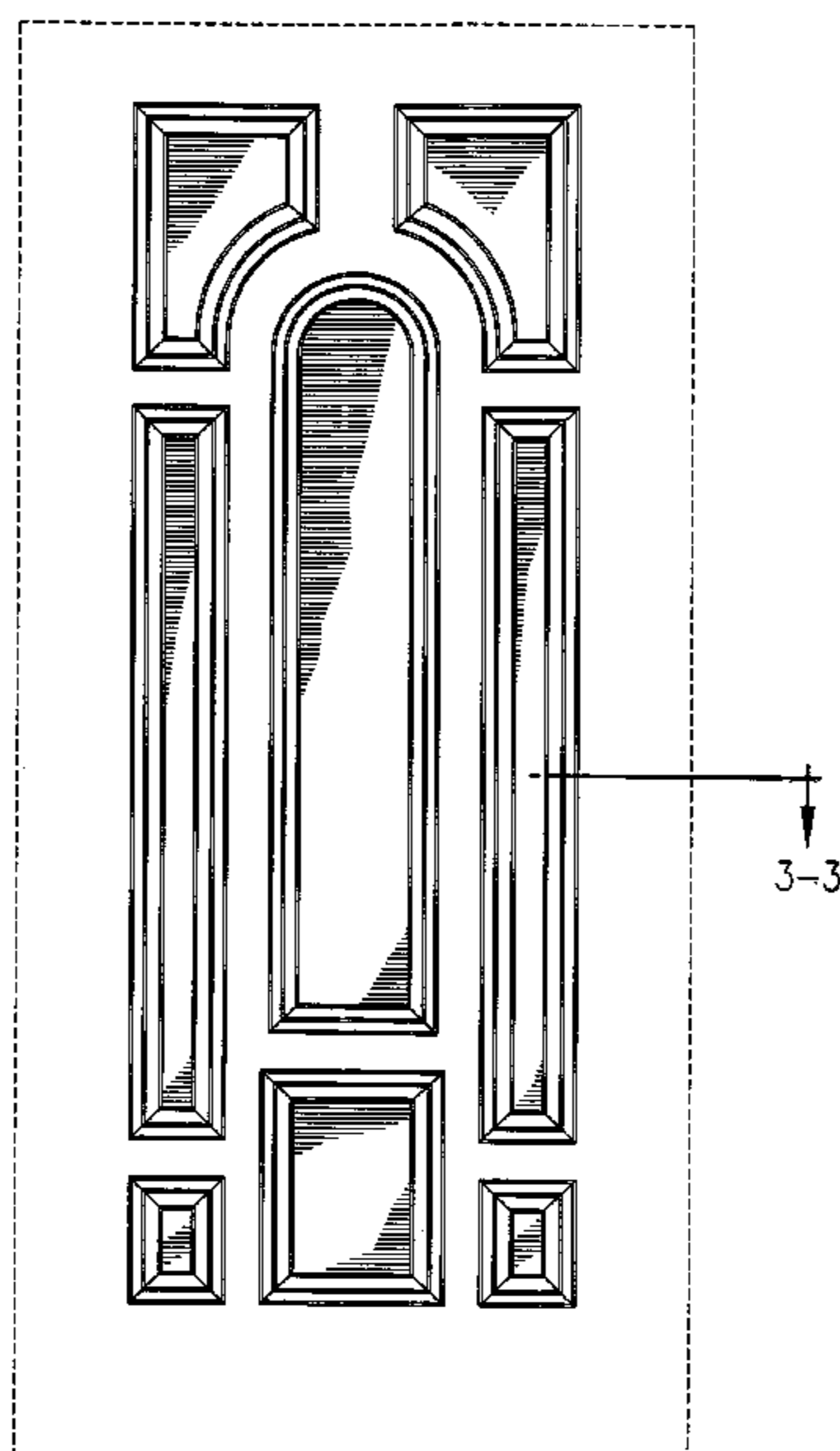
- 619,676 A 2/1899 Cronin
- D132,040 S 4/1942 Cummings
- 2,343,740 A 3/1944 Birmingham
- 2,682,083 A 6/1954 Patton
- 2,831,793 A 4/1958 Elmendorf
- D192,073 S \* 1/1962 Jackson ..... D25/48
- 3,098,781 A 7/1963 Greten
- 3,121,263 A 2/1964 Binner

FIG. 1 is a front view of a steel door panel grouping, the broken lines are for illustrative purposes of showing the environment of a door and form no part of the claimed design;

FIG. 2 is a perspective view of thereof; and,

FIG. 3 is a cross-sectional view taken along line 3-3 of FIG. 1.

**1 Claim, 3 Drawing Sheets**



# US D550,856 S

Page 2

## U.S. PATENT DOCUMENTS

|             |         |                   |
|-------------|---------|-------------------|
| D244,736 S  | 6/1977  | Palka             |
| D245,824 S  | 9/1977  | Palka             |
| 4,236,365 A | 12/1980 | Wheeler           |
| 4,246,310 A | 1/1981  | Hunt et al.       |
| 4,248,163 A | 2/1981  | Caughey et al.    |
| 4,277,428 A | 7/1981  | Luck et al.       |
| D266,042 S  | 9/1982  | Moore et al.      |
| D266,720 S  | 11/1982 | Moore et al.      |
| 4,361,612 A | 11/1982 | Shaner et al.     |
| 4,364,984 A | 12/1982 | Wentworth         |
| 4,441,296 A | 4/1984  | Grabendike et al. |
| D274,107 S  | 6/1984  | Gordon            |
| D274,944 S  | 7/1984  | Coppa             |
| 4,503,115 A | 3/1985  | Hemels et al.     |
| 4,552,797 A | 11/1985 | Munk et al.       |
| D282,426 S  | 2/1986  | Heimberger et al. |
| 4,579,613 A | 4/1986  | Belanger          |
| 4,610,900 A | 9/1986  | Nishibori         |
| 4,610,913 A | 9/1986  | Barnes            |
| D286,177 S  | 10/1986 | Case et al.       |
| 4,622,190 A | 11/1986 | Schultz           |
| 4,720,363 A | 1/1988  | Mayumi et al.     |
| 4,811,538 A | 3/1989  | Lehnert et al.    |
| 4,830,929 A | 5/1989  | Ikeda et al.      |
| 4,853,062 A | 8/1989  | Gartland          |
| 4,876,838 A | 10/1989 | Hagemeyer         |
| D304,983 S  | 12/1989 | Palka             |
| 4,908,990 A | 3/1990  | Yoon et al.       |
| 4,942,084 A | 7/1990  | Prince            |
| D314,242 S  | 1/1991  | Mikolaitis        |
| D314,625 S  | 2/1991  | Hall              |
| 5,016,414 A | 5/1991  | Wang              |
| D319,884 S  | 9/1991  | Hall              |
| 5,074,087 A | 12/1991 | Green             |
| 5,074,092 A | 12/1991 | Norlander         |
| 5,075,059 A | 12/1991 | Green             |
| 5,167,105 A | 12/1992 | Isban et al.      |
| D335,982 S  | 6/1993  | Brandon           |
| 5,219,634 A | 6/1993  | Aufderhaar        |
| D338,718 S  | 8/1993  | Izzo              |
| 5,239,799 A | 8/1993  | Bies et al.       |
| 5,293,726 A | 3/1994  | Schick            |
| D349,352 S  | 8/1994  | Csati             |
| 5,355,654 A | 10/1994 | Stanley           |

|                |         |                          |
|----------------|---------|--------------------------|
| 5,369,869 A    | 12/1994 | Bies et al.              |
| 5,401,556 A    | 3/1995  | Ishitoya et al.          |
| 5,443,891 A    | 8/1995  | Bach                     |
| 5,470,631 A    | 11/1995 | Lindquist et al.         |
| D366,939 S     | 2/1996  | Schafernak               |
| D367,121 S     | 2/1996  | Schafernak               |
| D370,269 S     | 5/1996  | Schafernak               |
| D371,852 S     | 7/1996  | Schafernak               |
| 5,543,234 A    | 8/1996  | Lynch et al.             |
| D380,053 S *   | 6/1997  | Forsland ..... D25/48    |
| D382,350 S     | 8/1997  | Lynch                    |
| D388,196 S     | 12/1997 | Schafernak et al.        |
| 5,766,774 A    | 6/1998  | Lynch et al.             |
| 5,852,910 A    | 12/1998 | Zebedee                  |
| D411,022 S     | 6/1999  | Schafernak et al.        |
| D422,088 S *   | 3/2000  | Mishina ..... D25/39     |
| D426,645 S     | 6/2000  | Bonomo et al.            |
| 6,200,687 B1   | 3/2001  | Smith et al.             |
| 6,485,800 B1   | 11/2002 | Liittschwager et al.     |
| 6,615,558 B2 * | 9/2003  | Libby et al. .... 52/455 |
| D501,565 S     | 2/2005  | Malicki et al.           |
| D501,931 S     | 2/2005  | Davina et al.            |
| 6,899,835 B2   | 5/2005  | Liittschwager et al.     |
| D517,219 S     | 3/2006  | Davina et al.            |
| 7,022,414 B2   | 4/2006  | Davina et al.            |
| D528,670 S     | 9/2006  | Davina et al.            |

## FOREIGN PATENT DOCUMENTS

|    |              |        |
|----|--------------|--------|
| DE | 3801486 A1   | 8/1989 |
| EP | 0 049 299 B1 | 4/1982 |
| EP | 0 225 629 B2 | 6/1987 |

## OTHER PUBLICATIONS

Elite Doors—brochure, apparently published in Oct. 1987.  
 “The New Mission Series” product brochure by Nord, Part of the JELD-WEN family, 300 W. Marine View Drive, Everett, WA 98201-1030, in existence at least as of Oct. 29, 2002.  
 Lloyd, William B., Millwork Principles and Practices, Manufacture-Distribution Use, Cahners Pub. Co., Inc., Chicago, IL © 1966, pp. 173 and 192 (FIGS. 100 & 103).  
 1981 Sweet’s Catalog, Section 8-3/50, p. 7.  
 Therma-Tru® Doors brochure, pp. 117-120, 122, 124-130, © 2000.  
 Simpson Door Co. Infinity Encore® brochure, © 2001.

\* cited by examiner

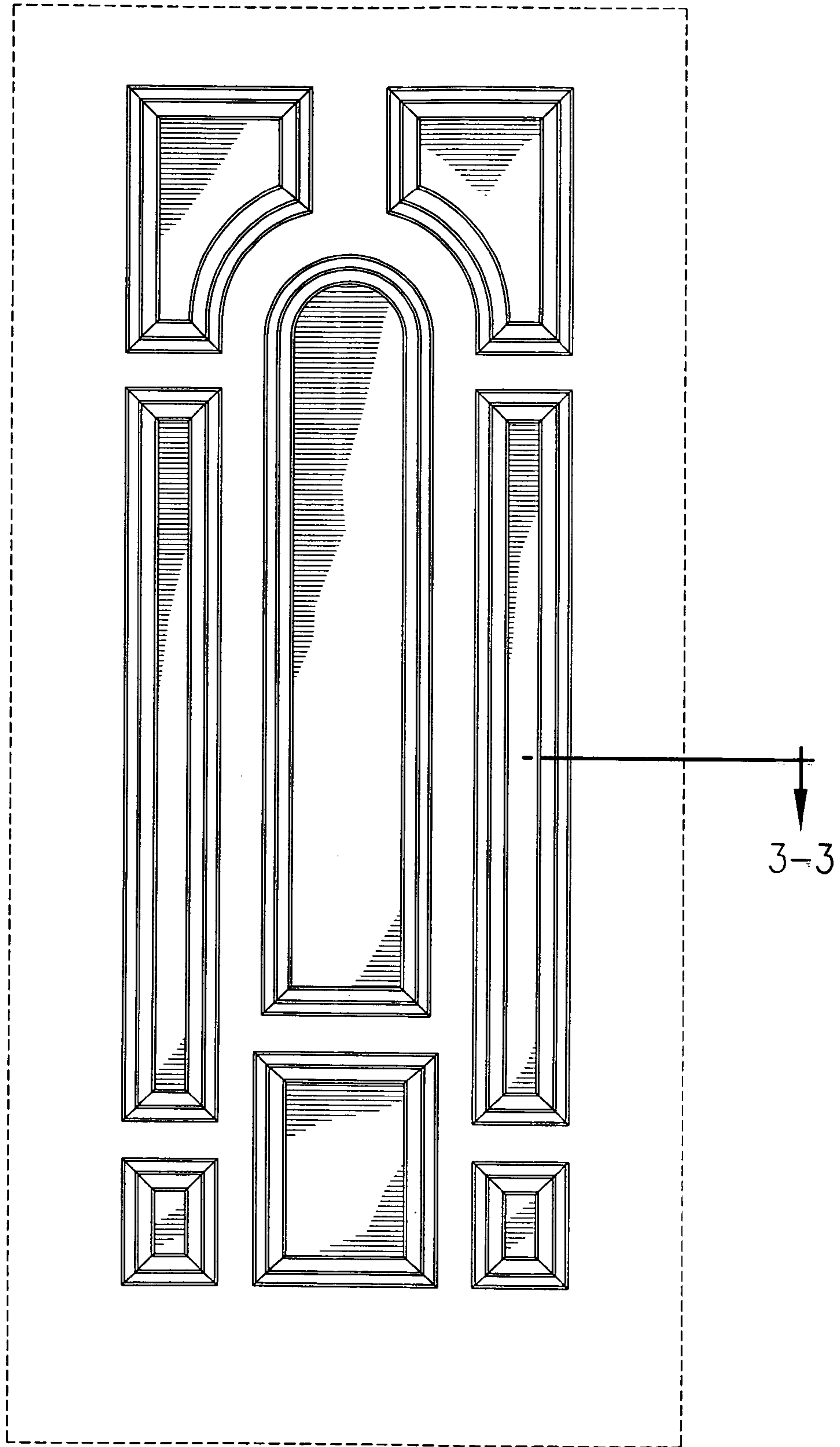


FIG. 1

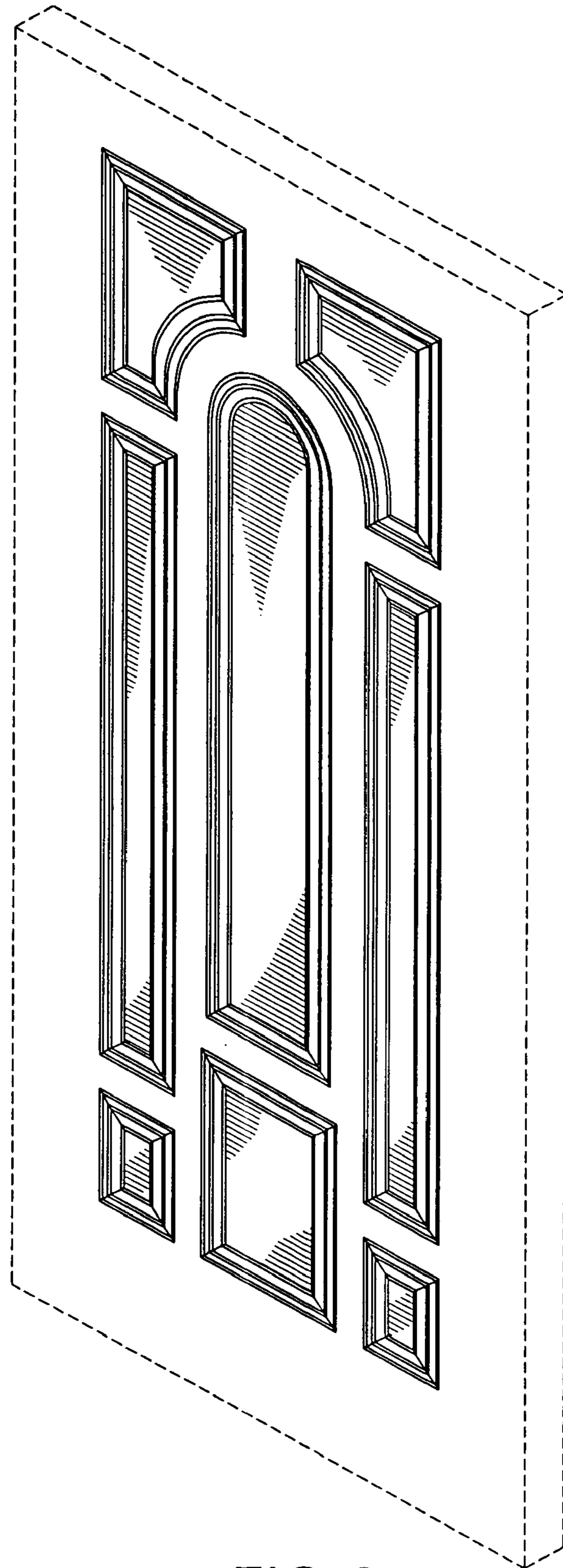


FIG.2

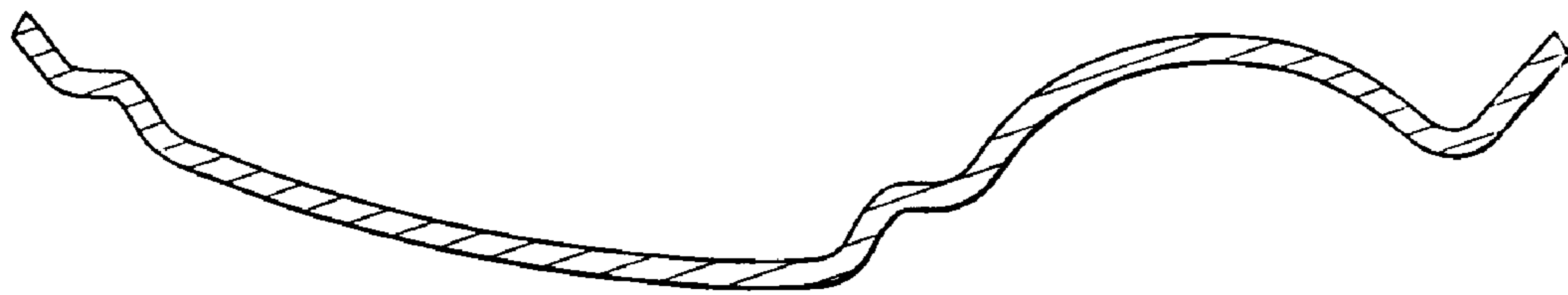


FIG. 3