



US00D550854S

(12) **United States Design Patent** (10) **Patent No.:** **US D550,854 S**  
**Gomes et al.** (45) **Date of Patent:** **\*\* Sep. 11, 2007**

(54) **PIPETTING APPARATUS**  
(75) Inventors: **Francis Gomes**, Lincoln Park, NJ (US); **Bruce Feller**, Wayne, NJ (US); **David Landsberger**, Caldwell, NJ (US); **Paul Thom**, Butler, NJ (US); **Miguel Puig**, Sterling Forest, NY (US)

(73) Assignee: **Bel-Art Products, Inc.**, Pequannock, NJ (US)

(\*\*) Term: **14 Years**

(21) Appl. No.: **29/243,140**

(22) Filed: **Nov. 18, 2005**

(51) **LOC (8) Cl.** ..... **24-02**  
(52) **U.S. Cl.** ..... **D24/222**  
(58) **Field of Classification Search** ..... D24/121, D24/222, 227; 73/864.01, 864.11-12, 864.14-16, 73/864.23-24, 864.33-35, 863.83; 141/25-27; 222/32; 422/100, 919, 922-926, 928-929  
See application file for complete search history.

(56) **References Cited**

**U.S. PATENT DOCUMENTS**

2,949,014	A	8/1960	Belton, Jr. et al.	
3,834,240	A *	9/1974	Kenney	73/864.15
3,963,061	A *	6/1976	Kenney	73/864.14
D242,729	S *	12/1976	Kenney	D24/222
4,257,268	A *	3/1981	Pepicelli et al.	73/864.15
4,361,425	A	11/1982	Hata	
D277,313	S *	1/1985	Alvarez et al.	D24/222
4,536,198	A	8/1985	Strain	
4,654,057	A	3/1987	Rhodes	
4,700,550	A	10/1987	Rhodes	
5,214,968	A *	6/1993	Kenney	73/864.15
5,230,719	A	7/1993	Berner et al.	
5,297,398	A	3/1994	Meckler	
5,373,704	A	12/1994	McFadden	
5,509,318	A *	4/1996	Gomes	73/864.11
5,616,871	A *	4/1997	Kenney	73/864.14
5,661,983	A	9/1997	Grotten et al.	

5,799,728	A	9/1998	Blume	
5,817,167	A	10/1998	DesChamps	
6,240,791	B1 *	6/2001	Kenney	73/864.14
6,253,628	B1 *	7/2001	Steele et al.	73/864.15
6,364,942	B1	4/2002	Felber et al.	
6,379,435	B1	4/2002	Fukunaga et al.	
6,772,534	B2	8/2004	Gomes et al.	
D507,656	S *	7/2005	Pniewski et al.	D24/222
D510,629	S *	10/2005	Piacenza et al.	D24/222

**OTHER PUBLICATIONS**

Bel-Art Products, Inc catalog 204 pp. 93-100 (2004).

\* cited by examiner

*Primary Examiner*—Robert A. Delehanty

*Assistant Examiner*—Mark Cavanna

(74) *Attorney, Agent, or Firm*—Lawrence G. Fridman

(57) **CLAIM**

The ornamental design for a pipetting apparatus, as shown and described.

**DESCRIPTION**

FIG. 1 is a perspective view of a pipetting apparatus showing our new design;

FIG. 2 is a front elevational view thereof;

FIG. 3 is a rear elevational view thereof;

FIG. 4 is a side elevational view thereof (the other side elevational view is a mirror image of FIG. 4);

FIG. 5 is a top plan view thereof;

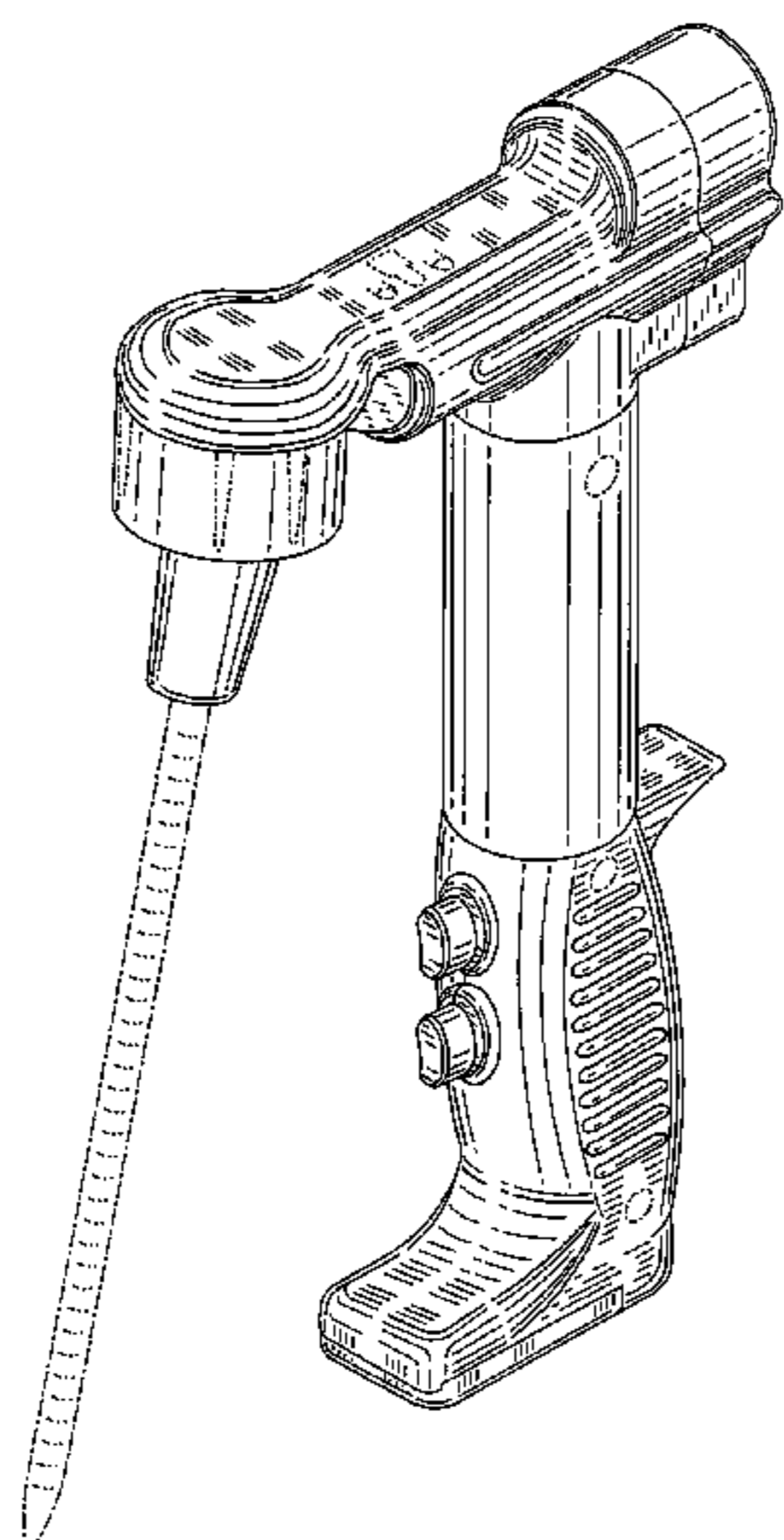
FIG. 6 is a bottom plan view thereof;

FIG. 7 is a perspective view of second embodiment of the pipetting apparatus; and,

FIG. 8 is a perspective view of a third embodiment of the pipetting apparatus.

The broken lines showing a pipette tube and orifice, upper controls, turn grips and circular fasteners are for illustrative purposes only and form no part of the claimed design.

**1 Claim, 6 Drawing Sheets**



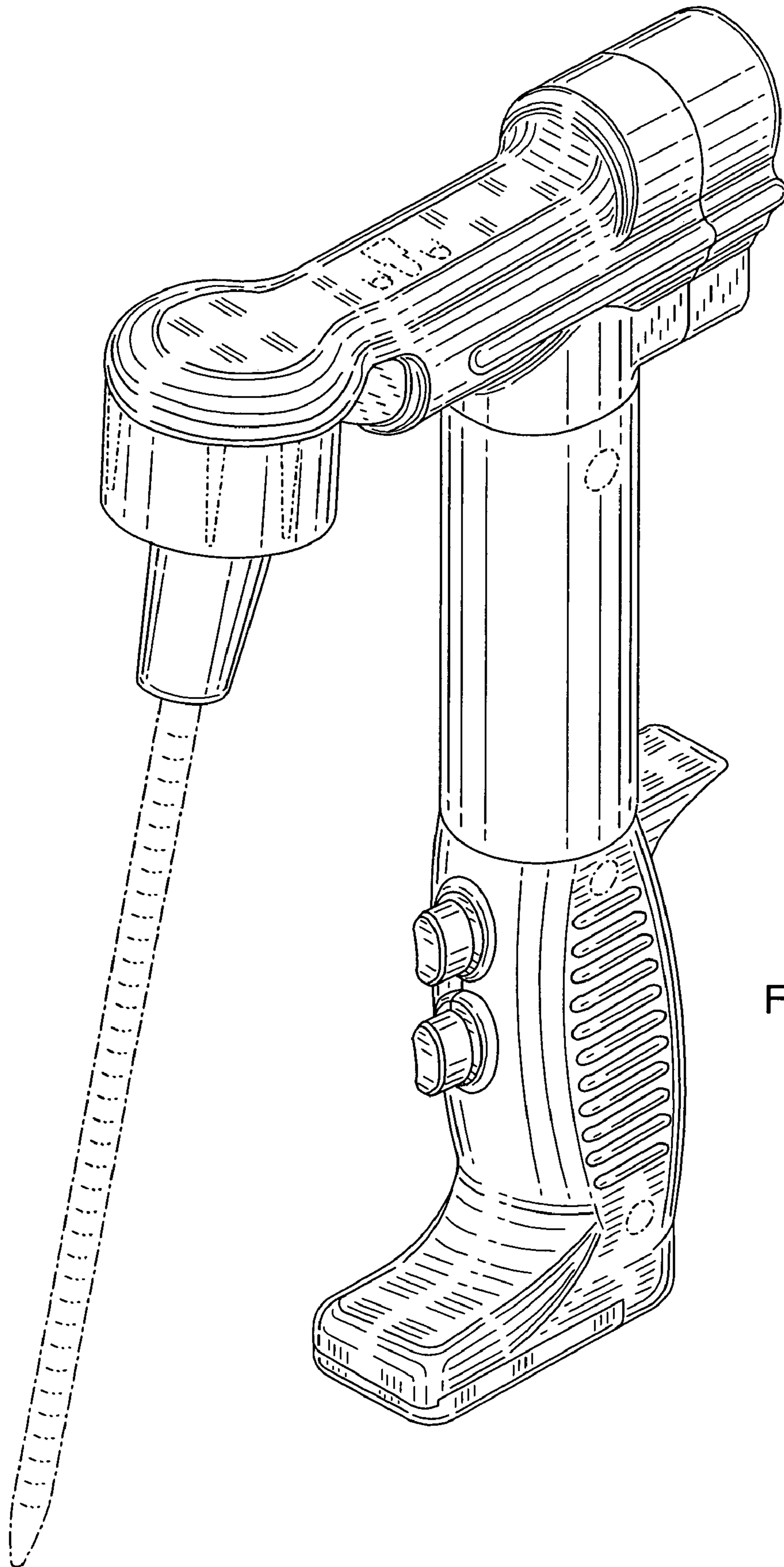


FIG. 1

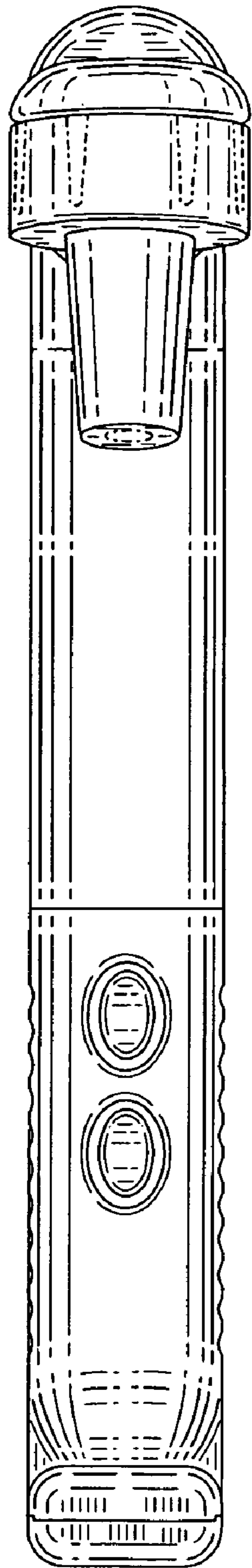


FIG. 2

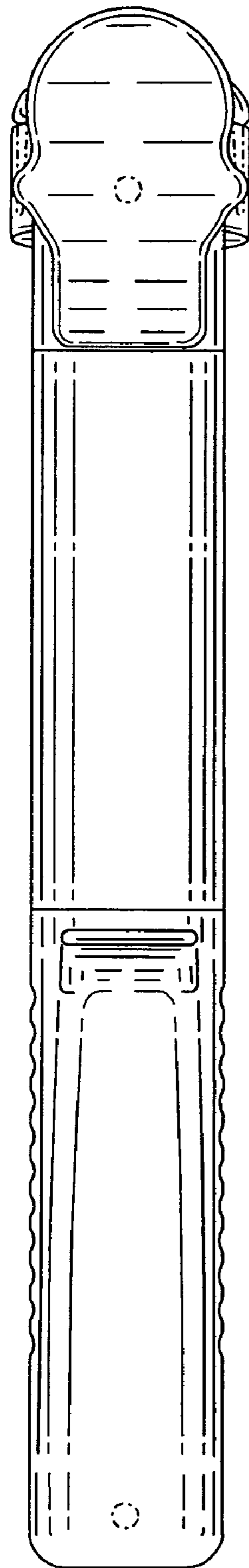


FIG. 3

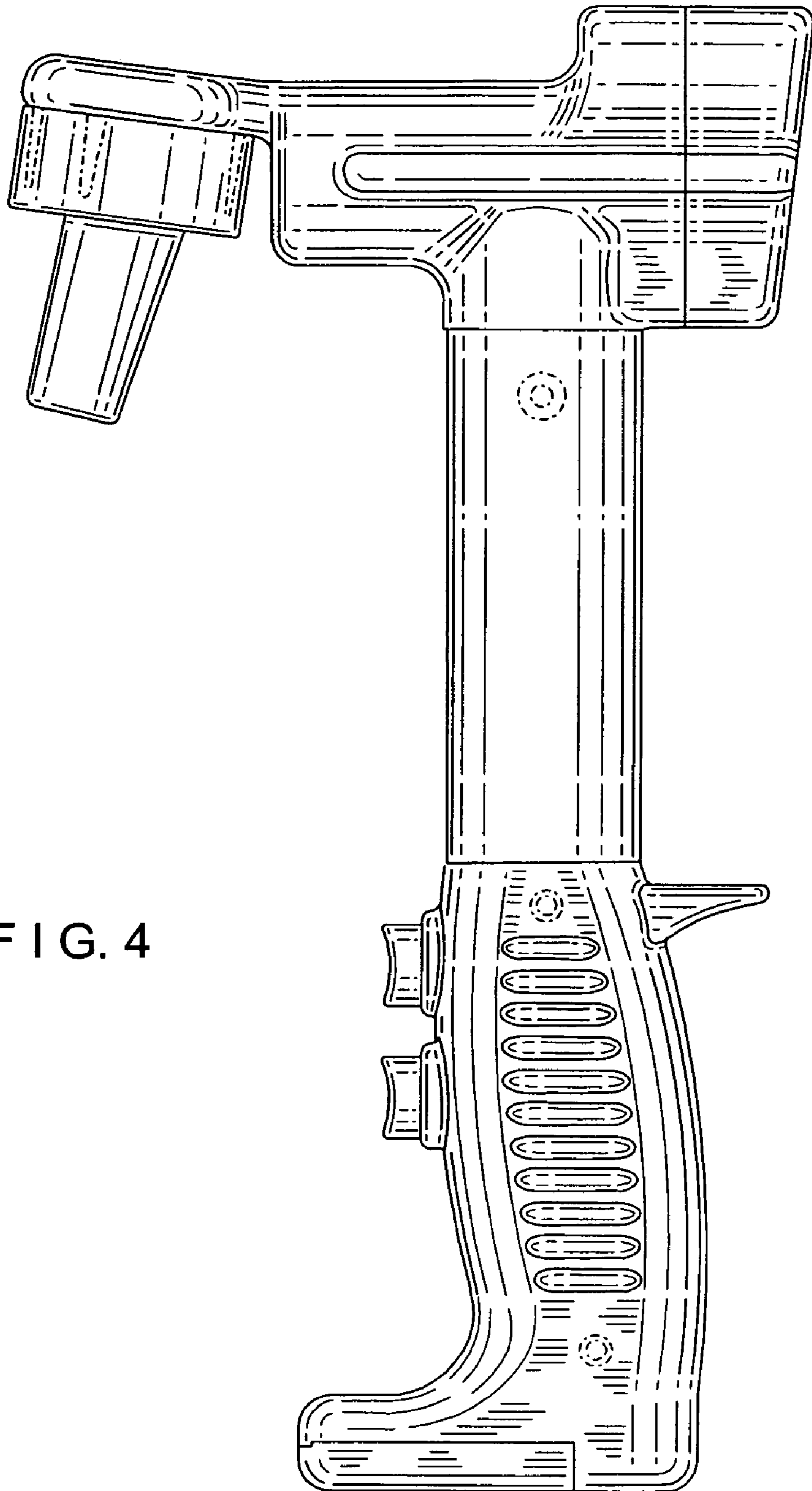


FIG. 4

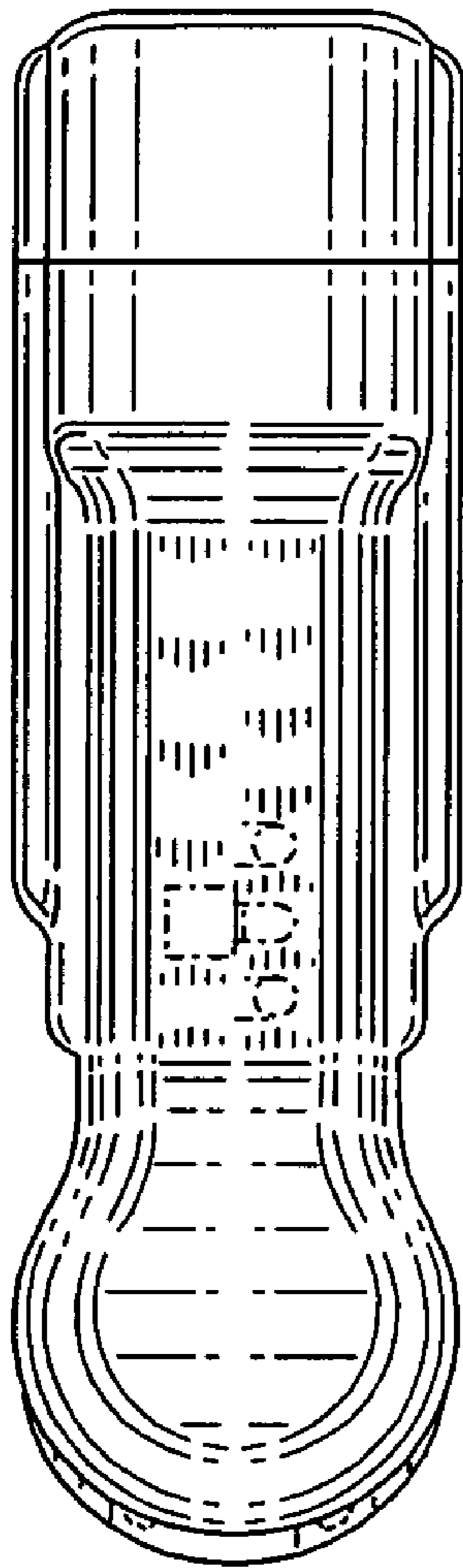


FIG. 5

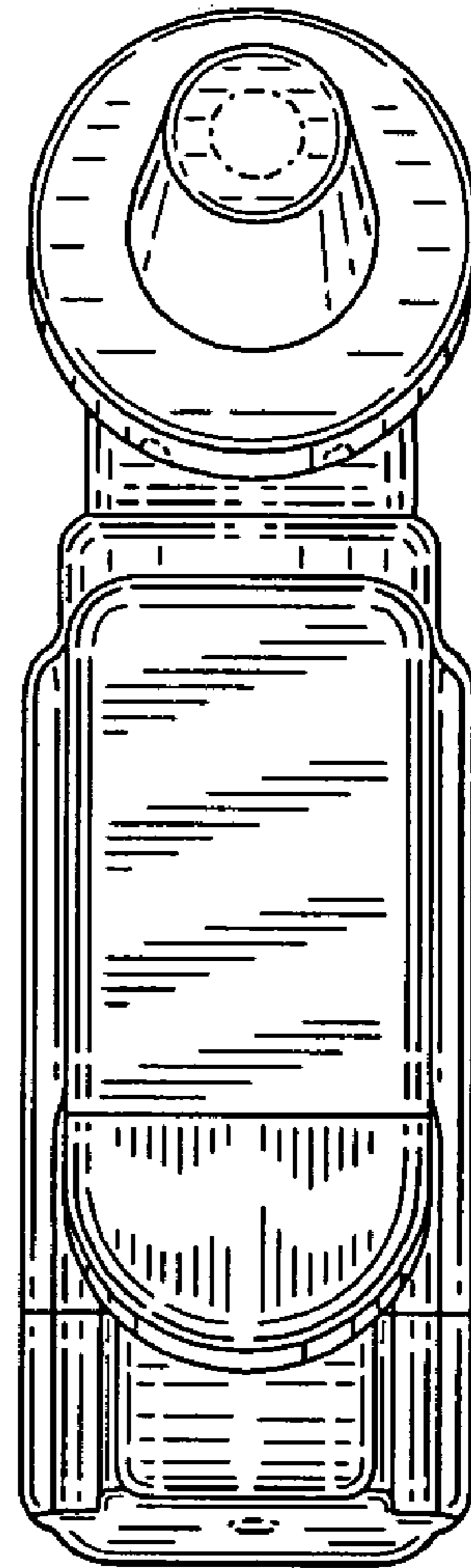


FIG. 6

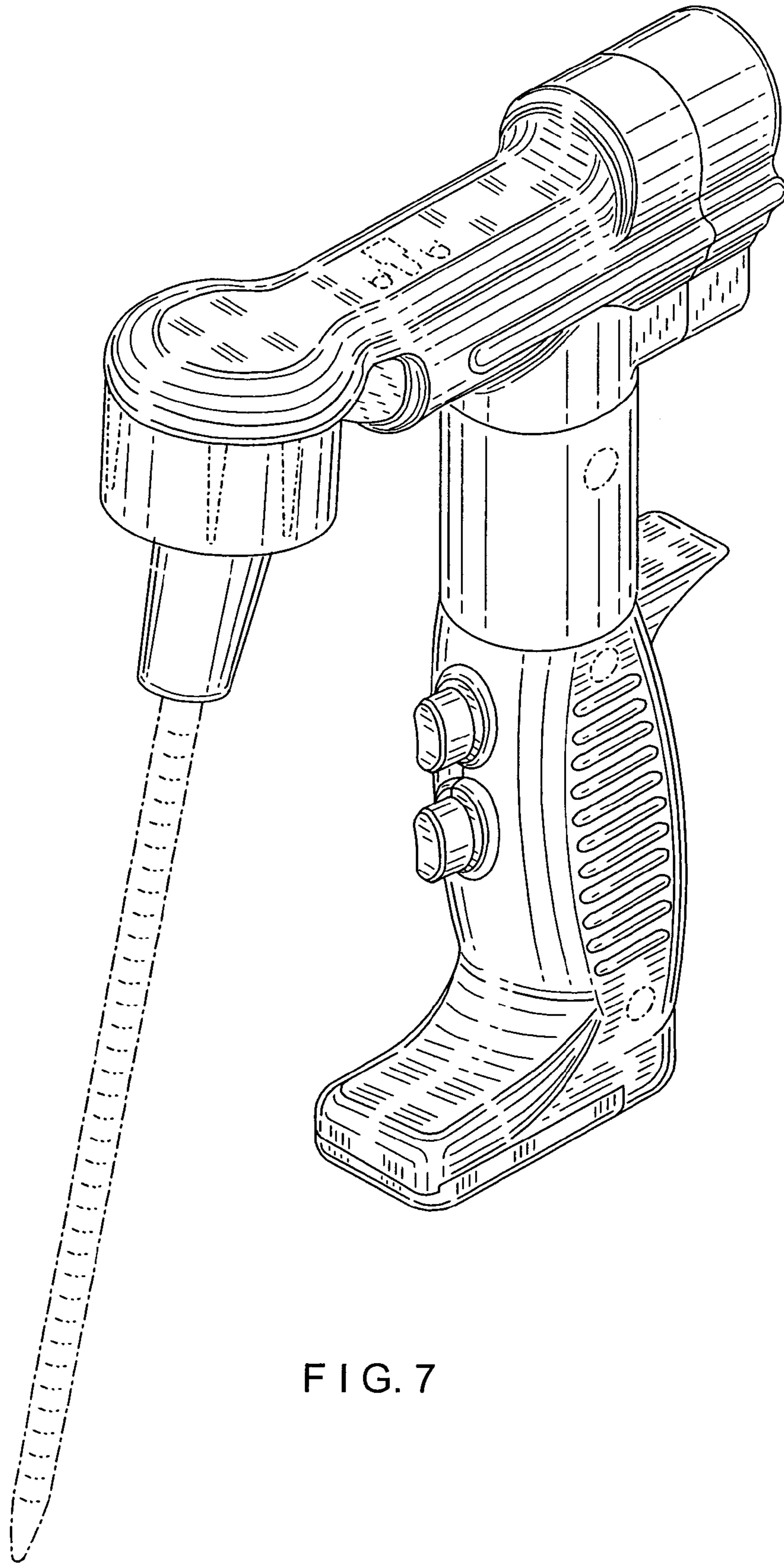


FIG. 7

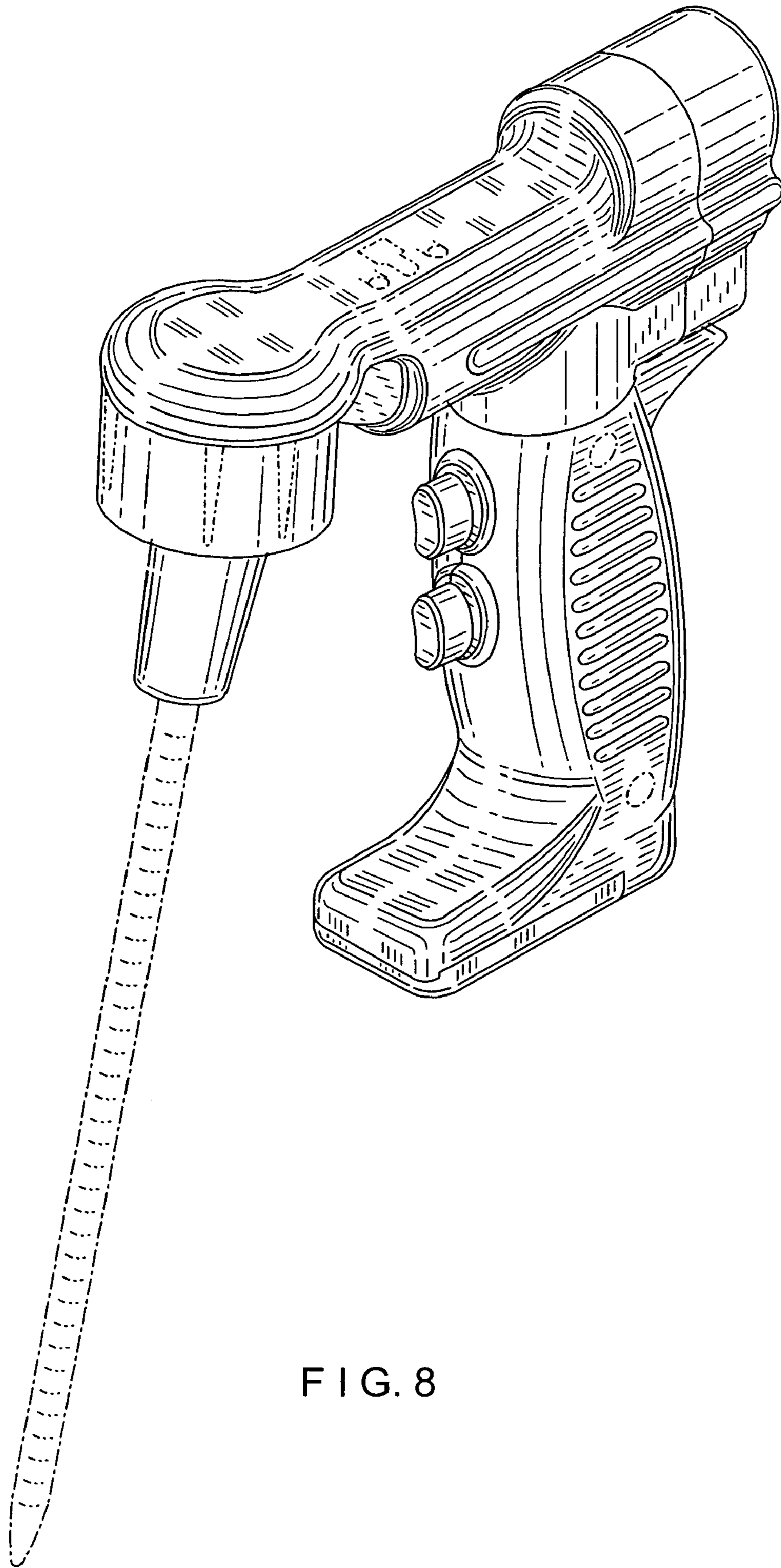


FIG. 8