



US00D550853S

(12) **United States Design Patent** (10) **Patent No.:** **US D550,853 S**
Jones (45) **Date of Patent:** **** Sep. 11, 2007**

(54) **MEDICATION CONTAINER SHREDDING MACHINE**

D364,249 S * 11/1995 Cannata-Nowell D24/220
D475,794 S * 6/2003 Ishigaki et al. D24/220
D537,530 S * 2/2007 Fraser D24/220

(76) Inventor: **Jerry Lee Jones**, 98 W. Jeffrey Pl., Columbus, OH (US) 43214

FOREIGN PATENT DOCUMENTS

(**) Term: **14 Years**

GB 3001332 * 3/2002

(21) Appl. No.: **29/266,167**

* cited by examiner

(22) Filed: **Sep. 15, 2006**

Primary Examiner—Charles A. Rademaker
(74) *Attorney, Agent, or Firm*—Jason H. Foster; Kremblas, Foster, Phillips & Pollick

(51) **LOC (8) Cl.** **24-02**

(57) **CLAIM**

(52) **U.S. Cl.** **D24/220; D18/34.1**

(58) **Field of Classification Search** D18/34.1–34.9, D18/99, 50; 83/167, 289, 302, 203, 523, 83/633; 241/169.1, 36, 154, 157, 222, 224, 241/168, 284, 295, 37.5, 100, 236, 169.2, 241/199; 385/13; D8/99; D7/381, 383; D24/220, 221, 231; 366/139, 243, 288, 142, 366/255

The ornamental design for a medication container shredding machine, as shown and described.

See application file for complete search history.

DESCRIPTION

(56) **References Cited**

FIG. 1 is a front perspective view of a medication container shredding machine showing my new design.

U.S. PATENT DOCUMENTS

D154,589 S * 7/1949 Curr D24/221
3,762,659 A * 10/1973 Aegidius 241/199
D263,739 S * 4/1982 Piet et al. D24/221
4,765,549 A * 8/1988 Sherman 241/169
4,881,820 A * 11/1989 Luckhoff 366/142
D343,003 S * 1/1994 Mechler et al. D24/220
D346,223 S * 4/1994 Mechler et al. D24/220

FIG. 2 is a top view thereof.

FIG. 3 is a front view thereof.

FIG. 4 is a right side view thereof.

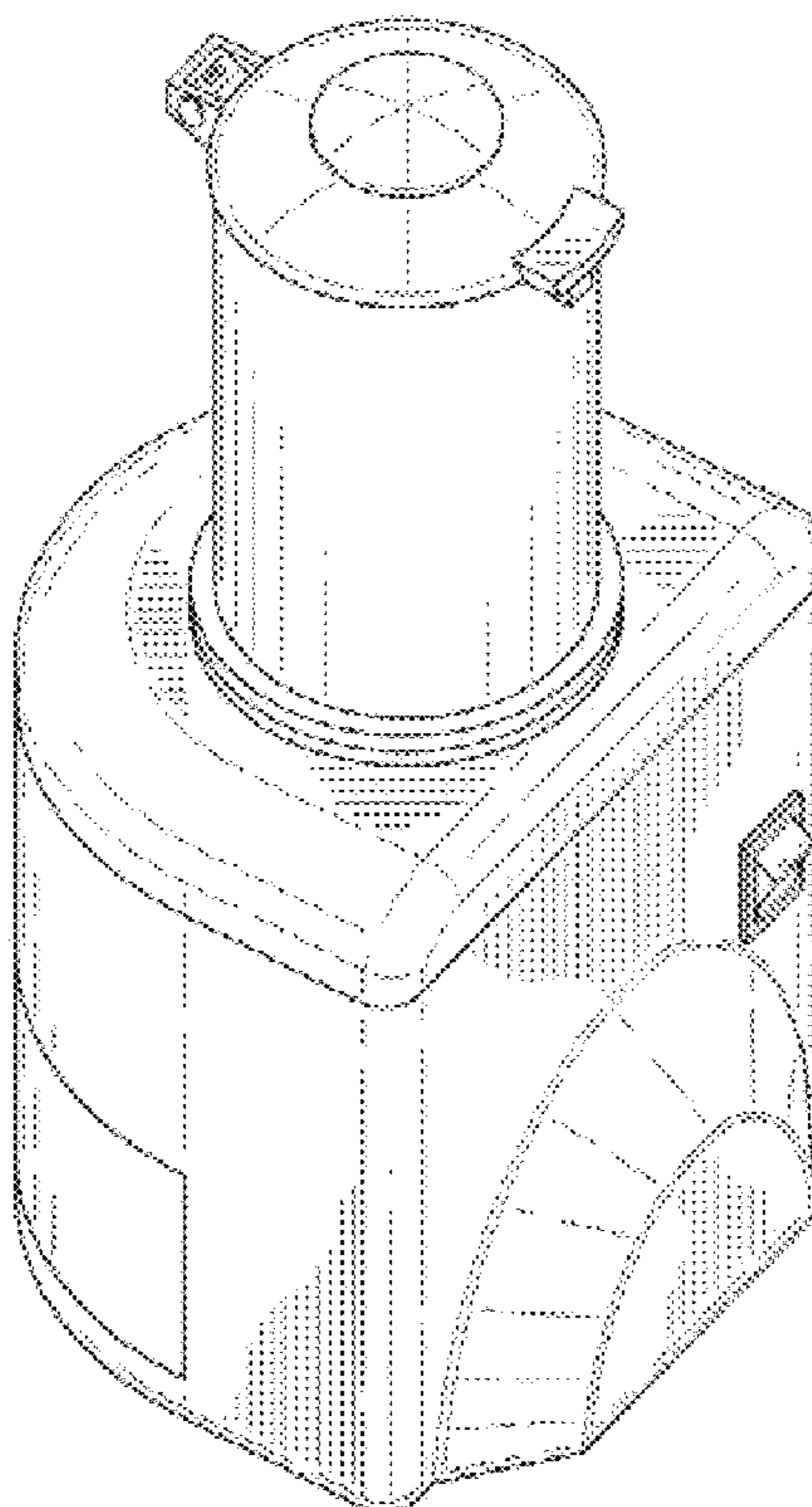
FIG. 5 is a rear view thereof.

FIG. 6 is a left side view thereof; and,

FIG. 7 is a bottom view thereof.

The broken lines which define the bounds of the claimed design in FIG. 7 form no part thereof.

1 Claim, 3 Drawing Sheets



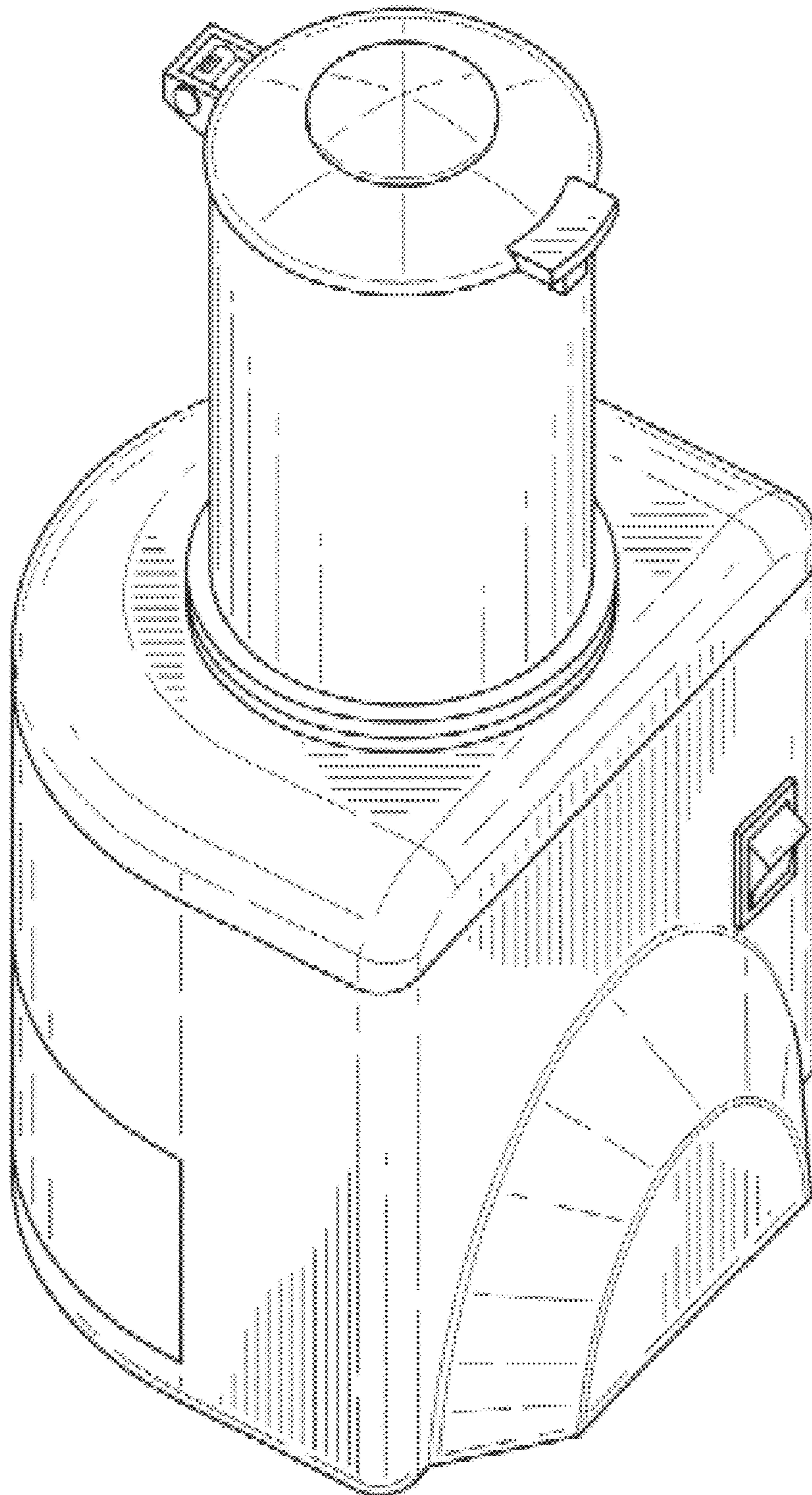


FIG-1

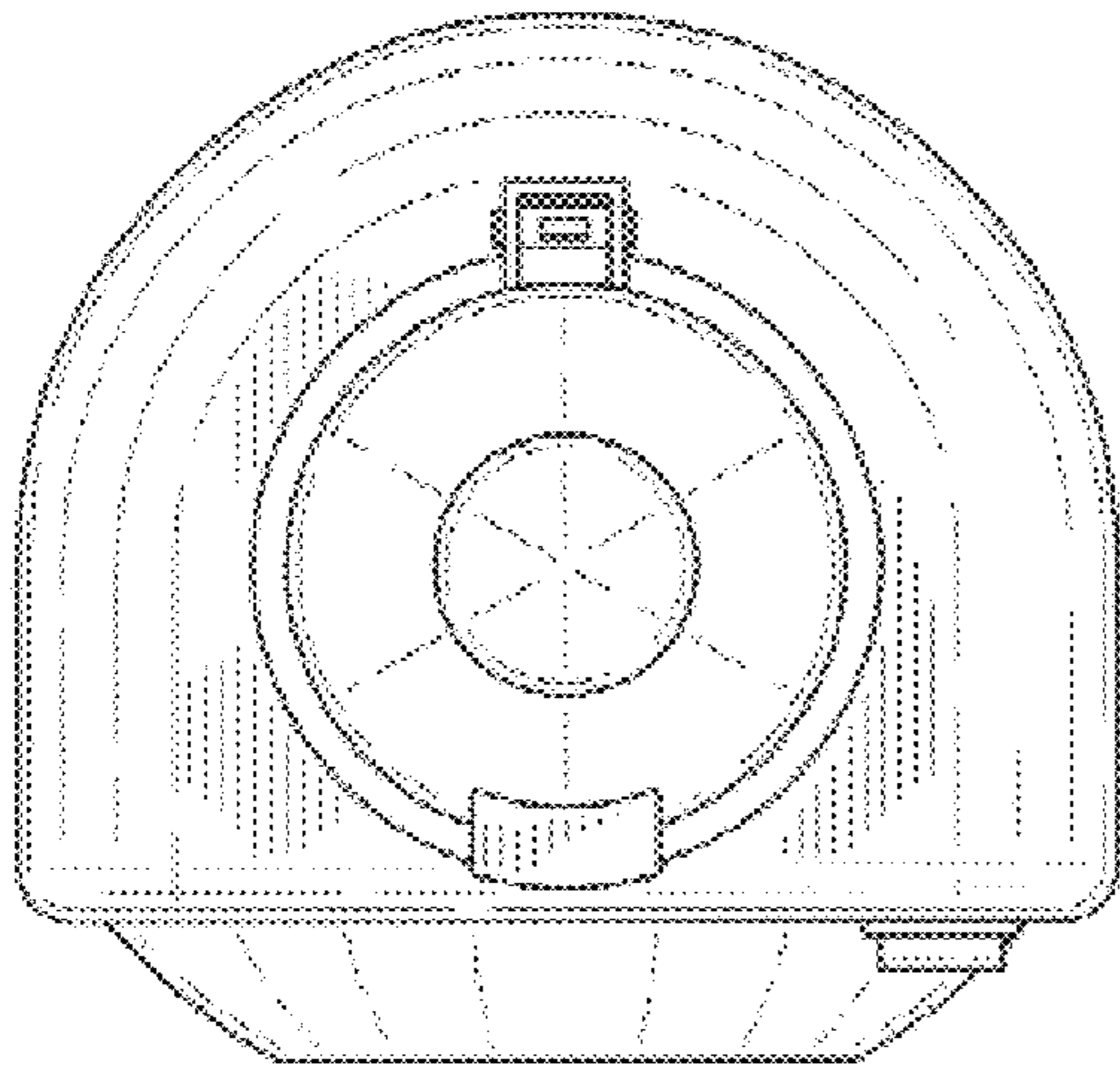


FIG-2

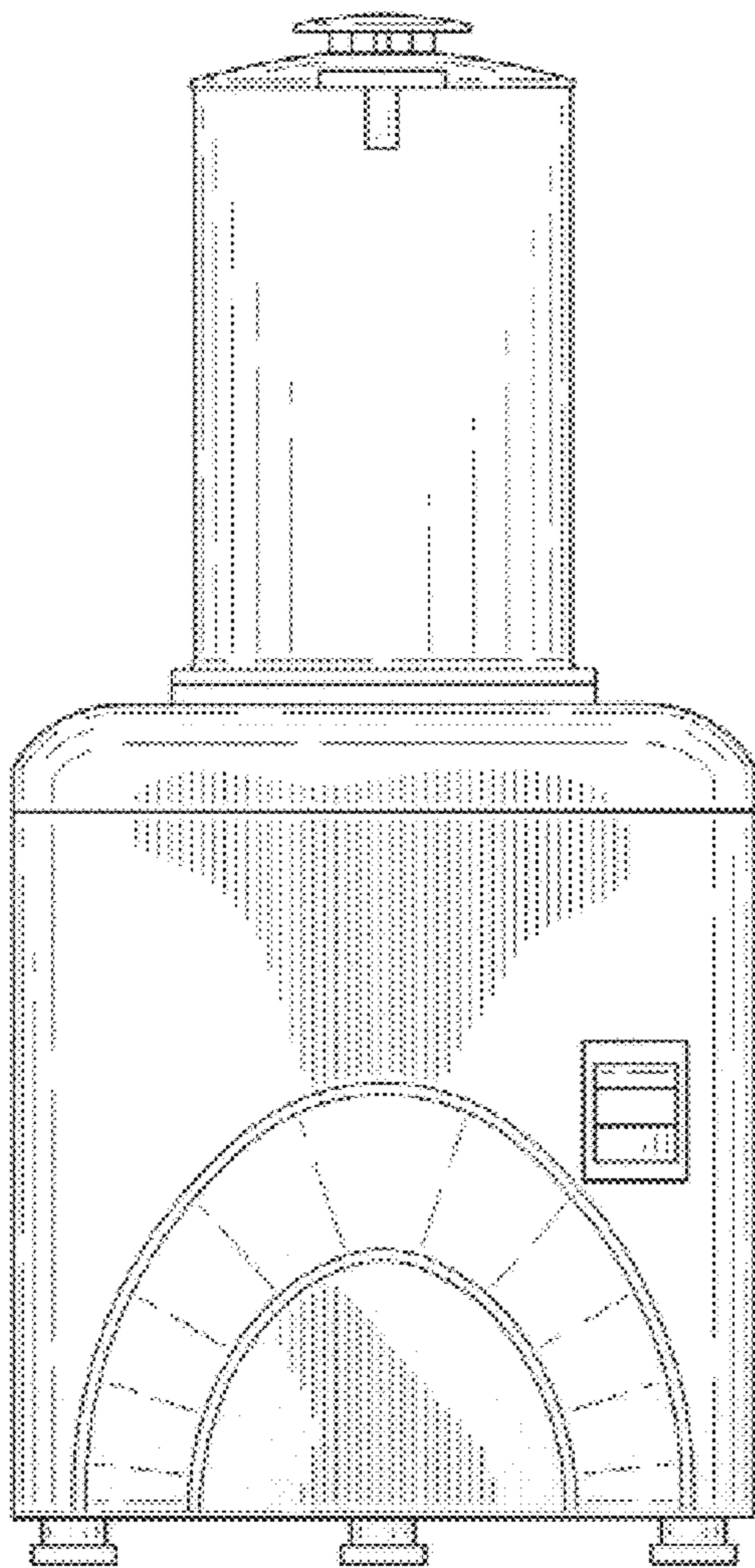


FIG-3

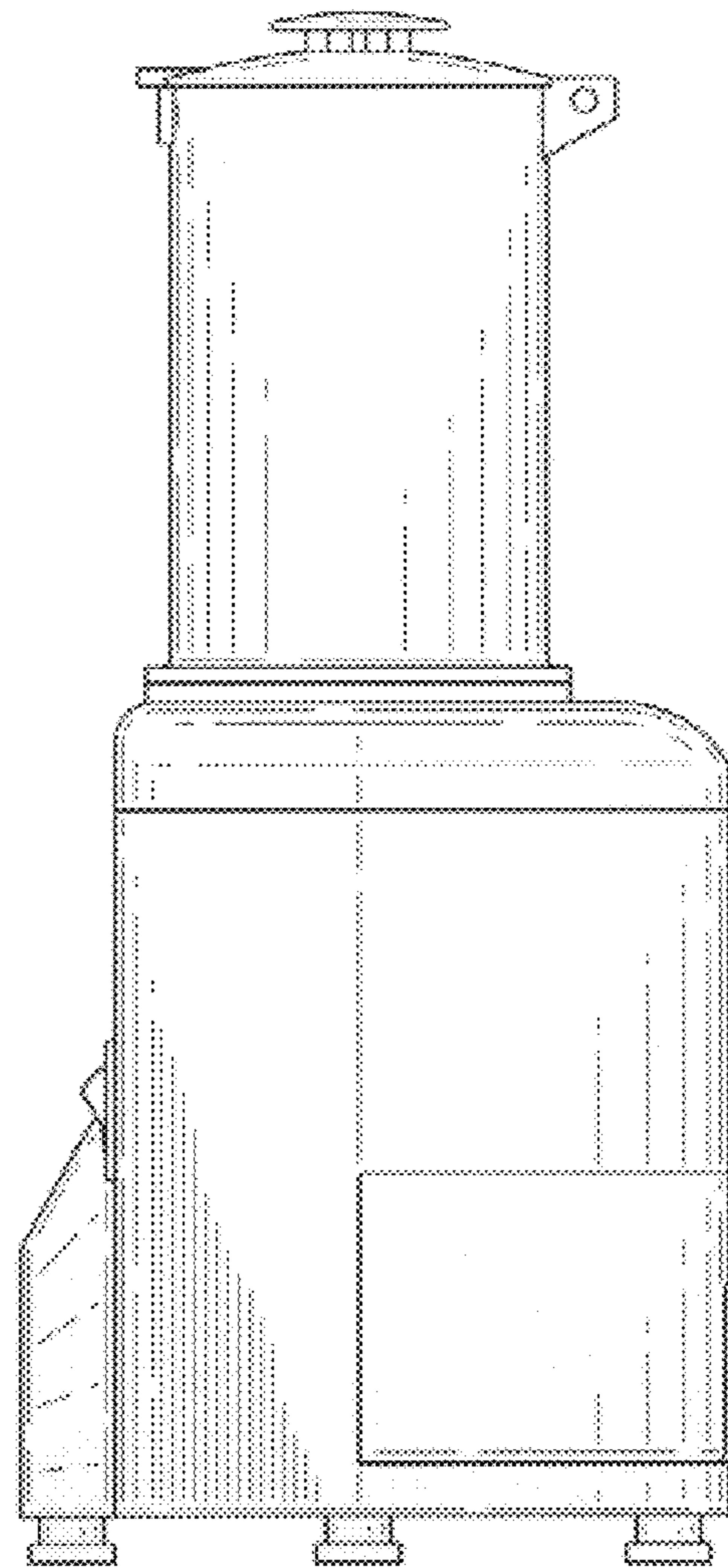


FIG-4

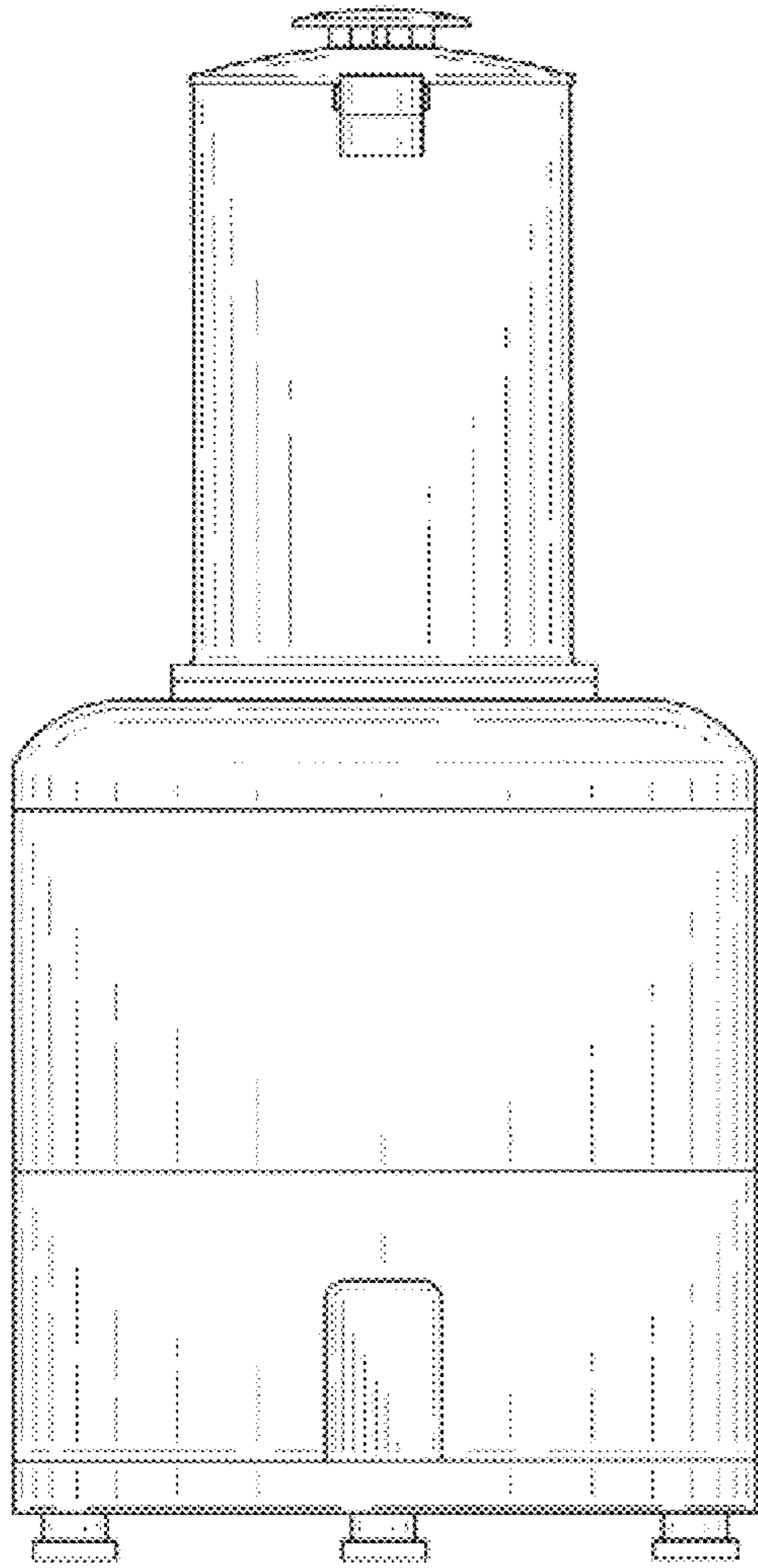


FIG-5

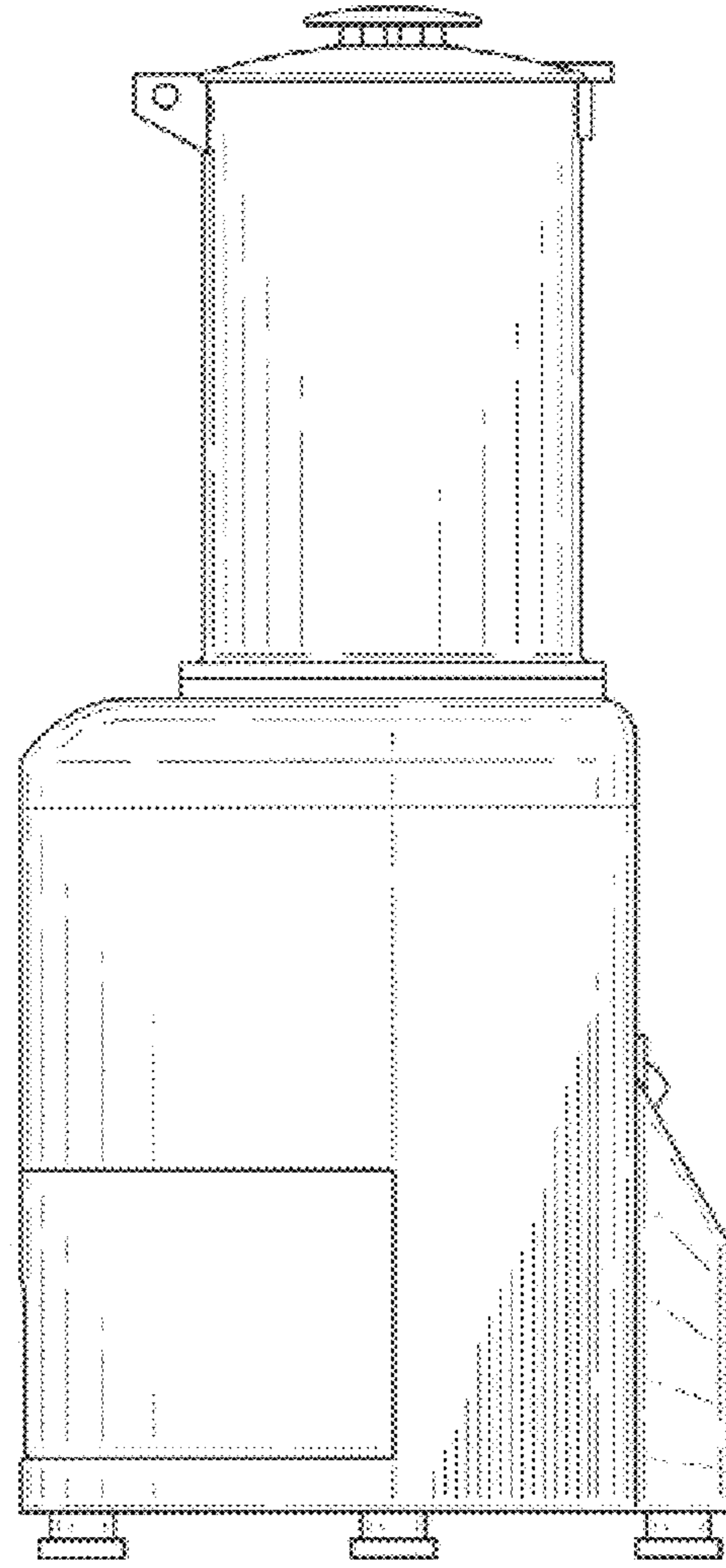


FIG-6

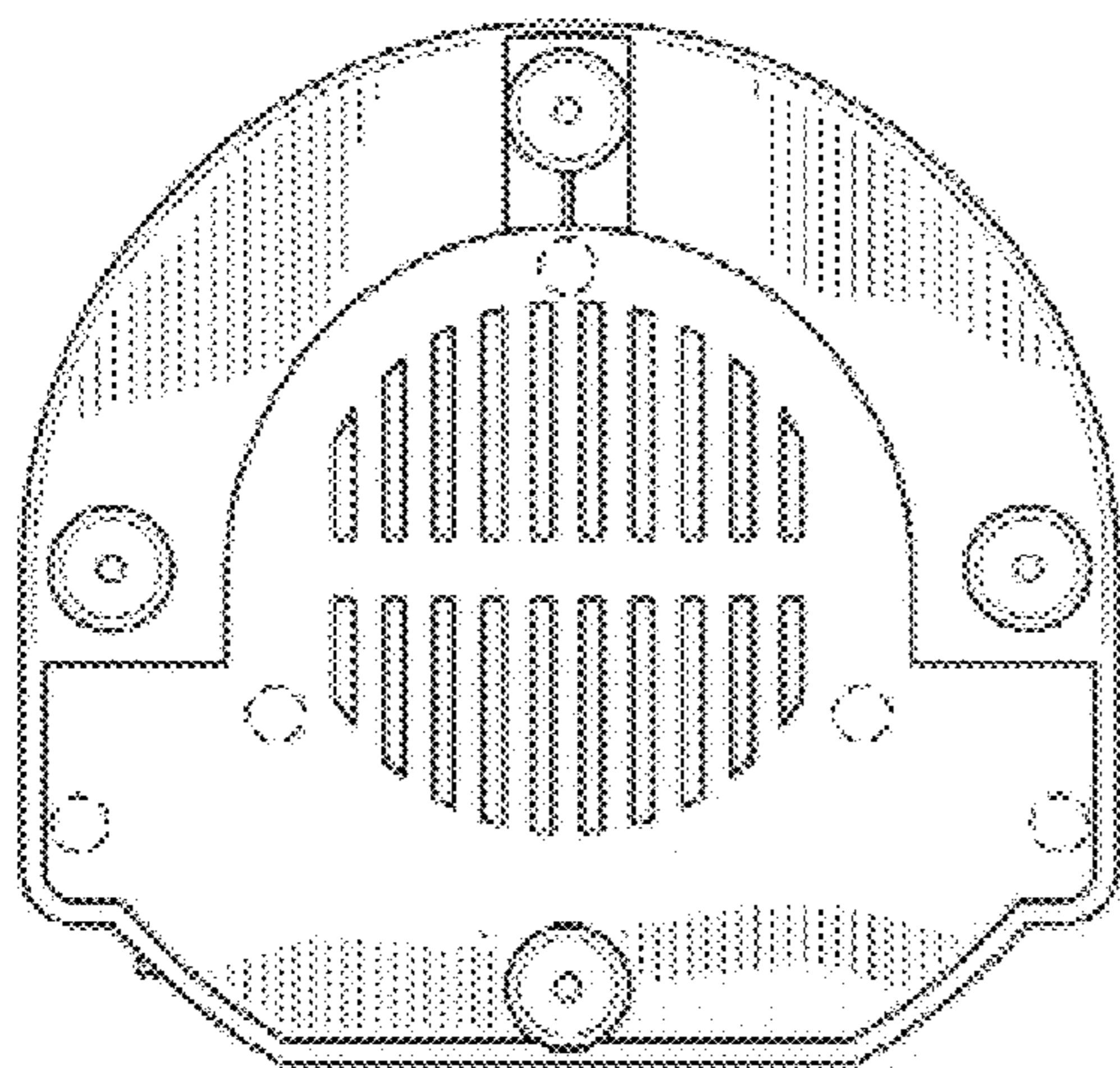


FIG-7