



US00D550845S

(12) **United States Design Patent**
Yamaoka

(10) **Patent No.:** **US D550,845 S**

(45) **Date of Patent:** **** Sep. 11, 2007**

(54) **OPTOMETER**

(75) Inventor: **Masashi Yamaoka**, Itabashi-ku (JP)

(73) Assignee: **Kabushiki Kaisha Topcon**, Tokyo (JP)

(**) Term: **14 Years**

(21) Appl. No.: **29/257,775**

(22) Filed: **Apr. 11, 2006**

(51) **LOC (8) Cl.** **24-01**

(52) **U.S. Cl.** **D24/172**

(58) **Field of Classification Search** D24/172,
D24/150; 351/200, 205, 209-212, 216, 233,
351/234, 235, 239, 245; D10/46

See application file for complete search history.

(56) **References Cited**

U.S. PATENT DOCUMENTS

D114,487 S	*	4/1939	Peck	D24/172
D344,587 S	*	2/1994	Burton et al.	D24/172
D365,149 S	*	12/1995	Burton et al.	D24/172
D374,720 S	*	10/1996	Lukaszewski	D24/172

* cited by examiner

Primary Examiner—Louis S. Zarfas

Assistant Examiner—Anhdao Doan

(74) *Attorney, Agent, or Firm*—Jacobson Holman PLLC

(57) **CLAIM**

The ornamental design for an optometer, as shown and described.

DESCRIPTION

FIG. 1 is a front perspective view of an optometer;

FIG. 2 is a front view of the optometer as shown in FIG. 1;

FIG. 3 is a rear view of the optometer as shown in FIG. 1;

FIG. 4 is a left side view of the optometer as shown in FIG. 1;

FIG. 5 is a right side view of the optometer as shown in FIG. 1;

FIG. 6 is a top view of the optometer as shown in the FIG. 1; and,

FIG. 7 is a bottom view of the optometer as shown in FIG. 1.

FIG. 1; and,

FIG. 7 is a bottom view of the optometer as shown in FIG. 1.

1 Claim, 3 Drawing Sheets

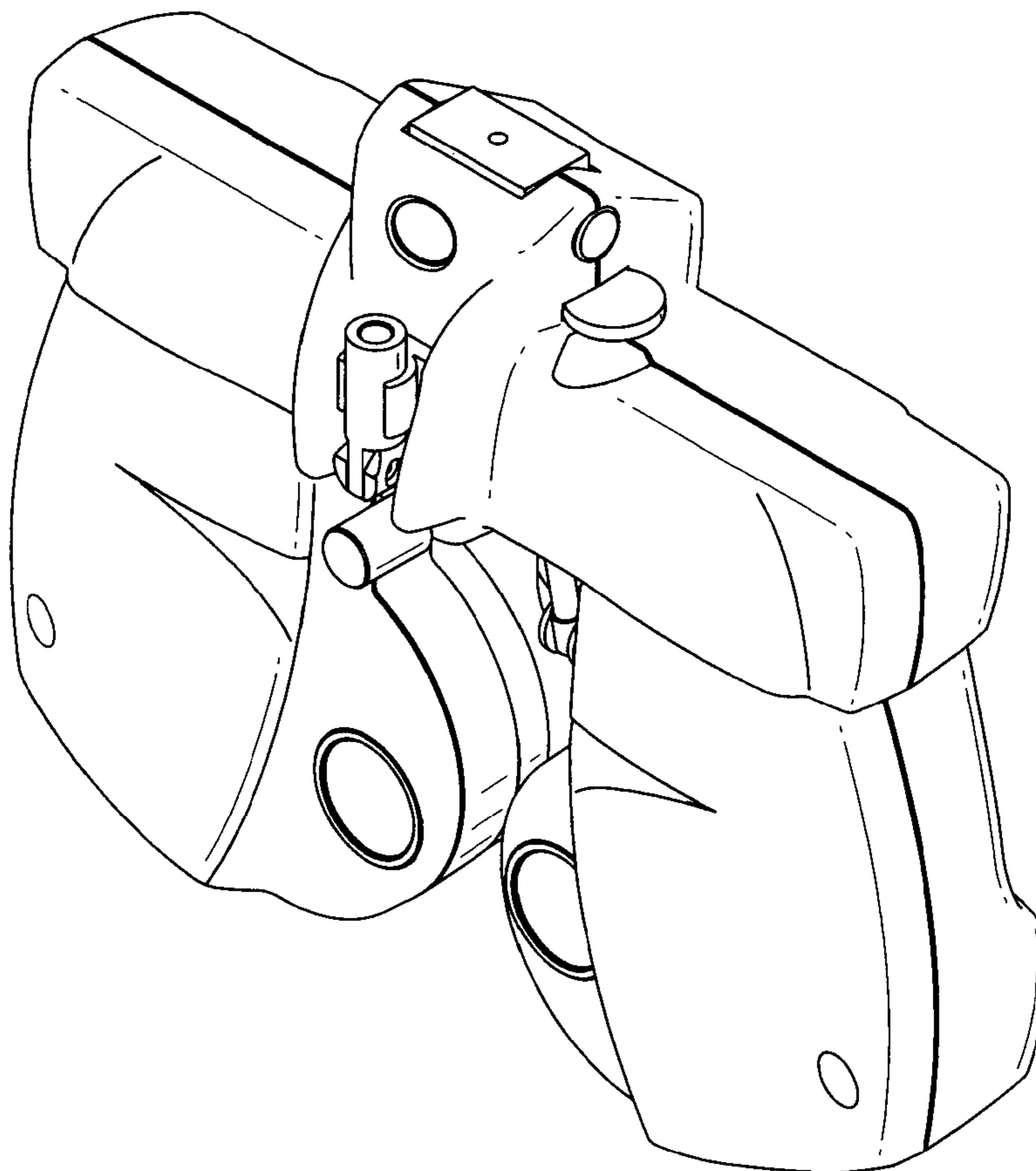


FIG. 1

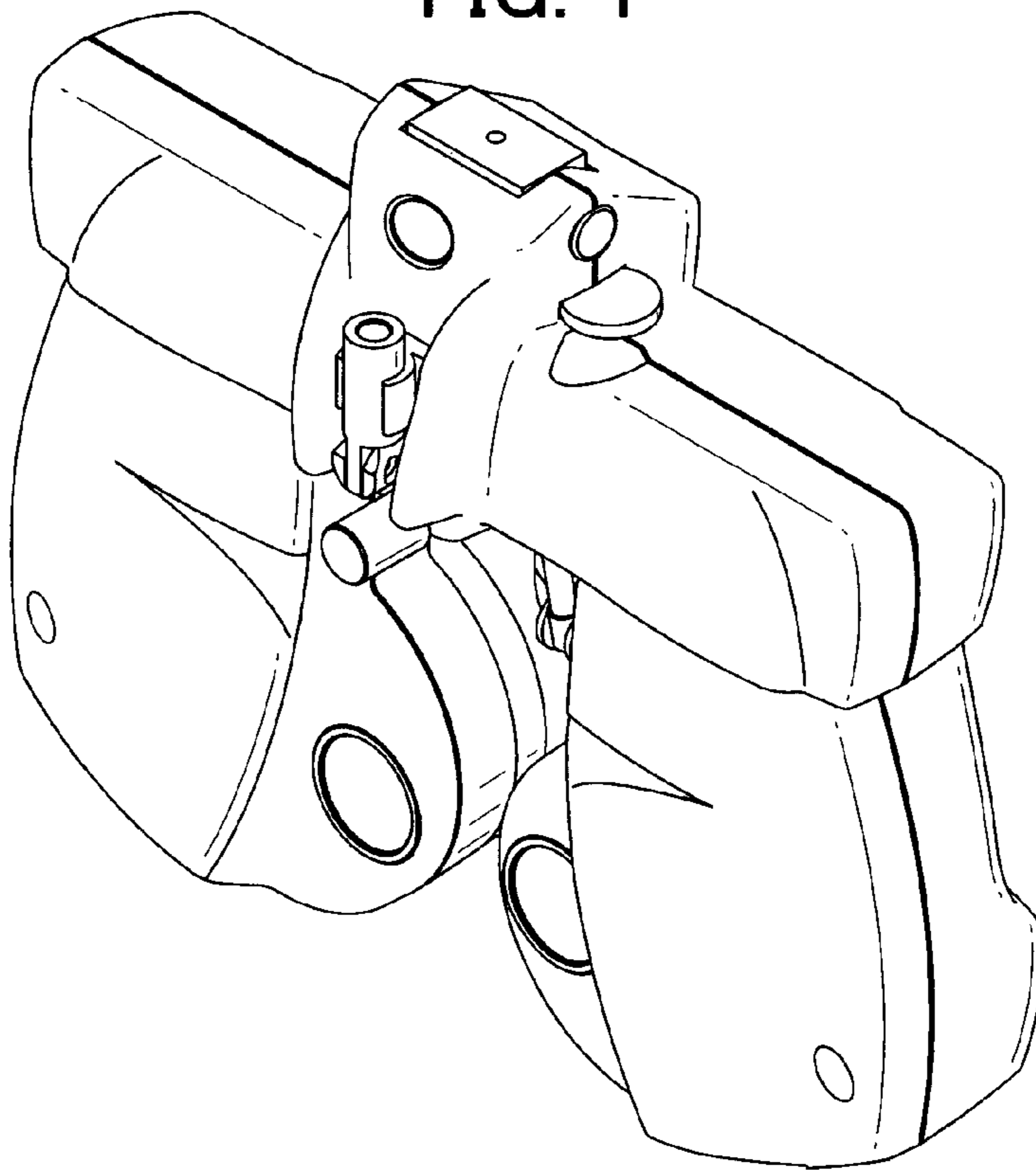


FIG. 2

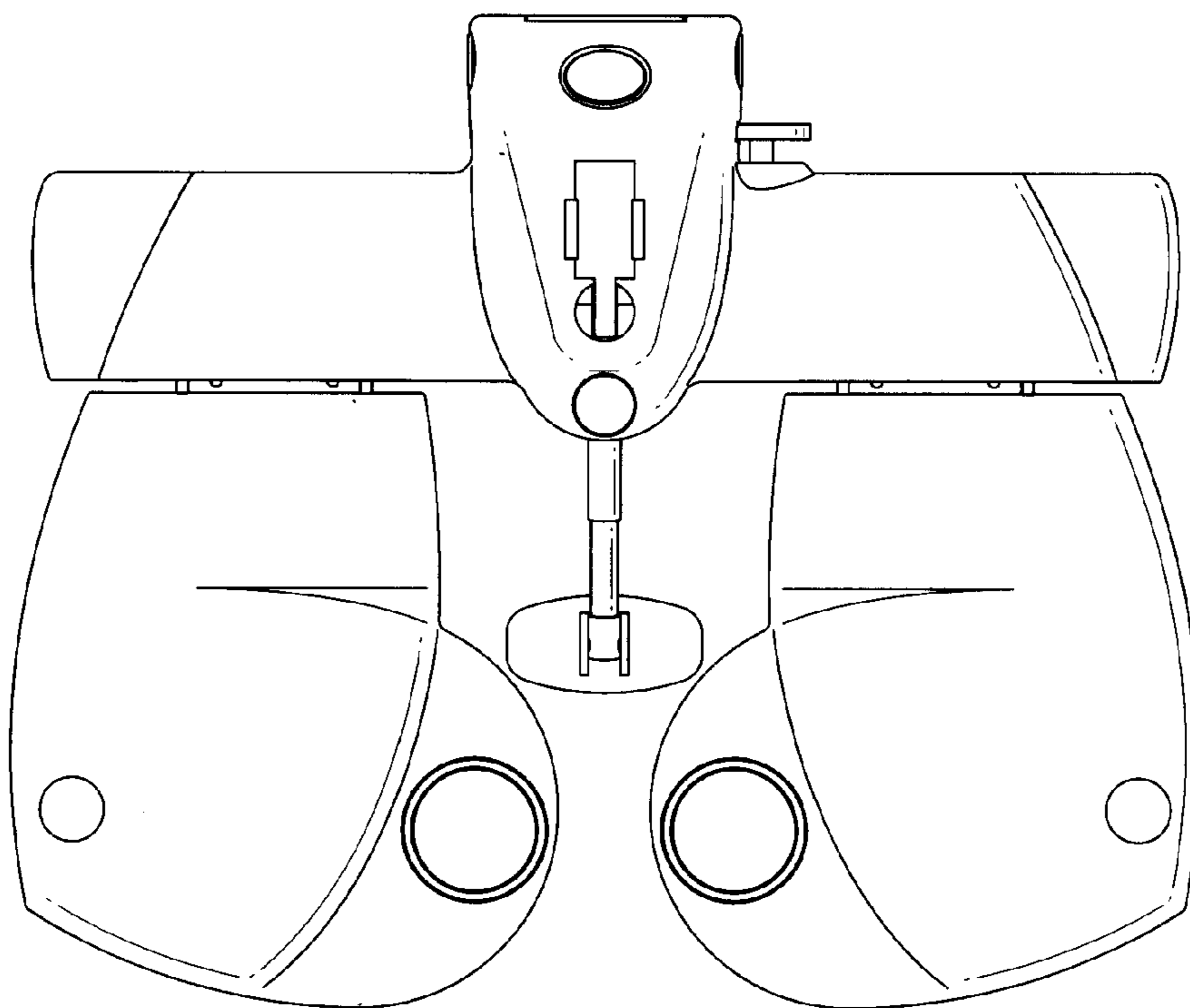


FIG. 3

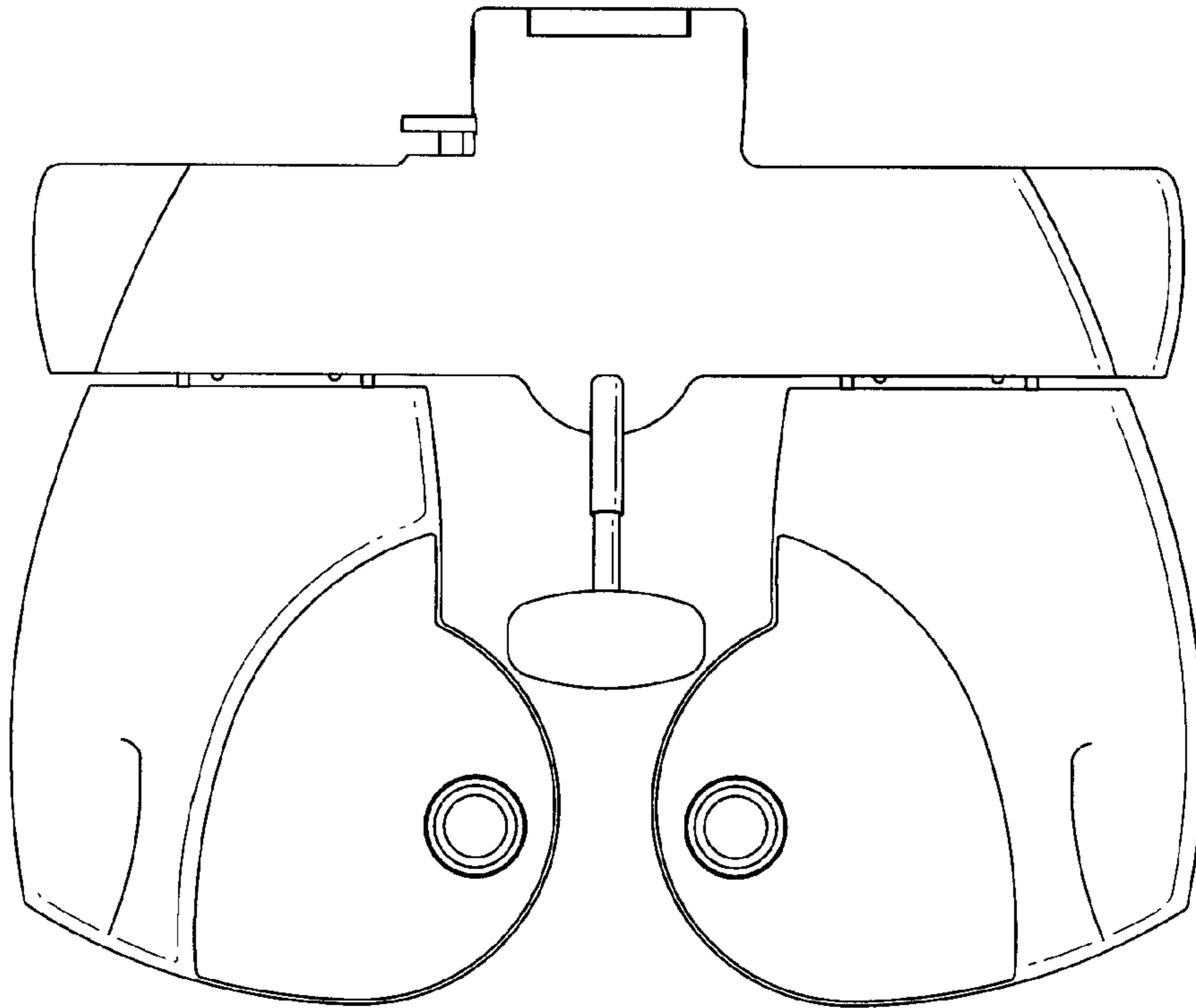


FIG. 4

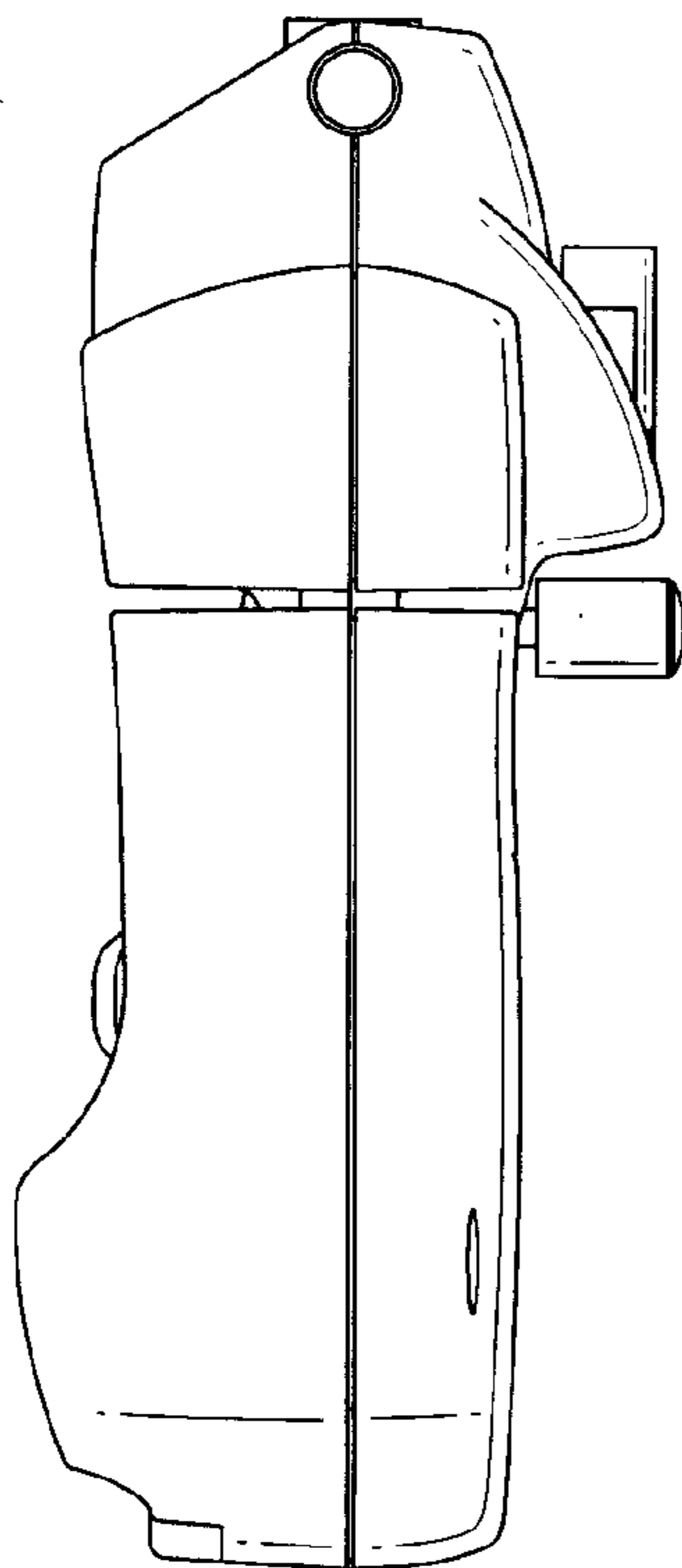


FIG. 5

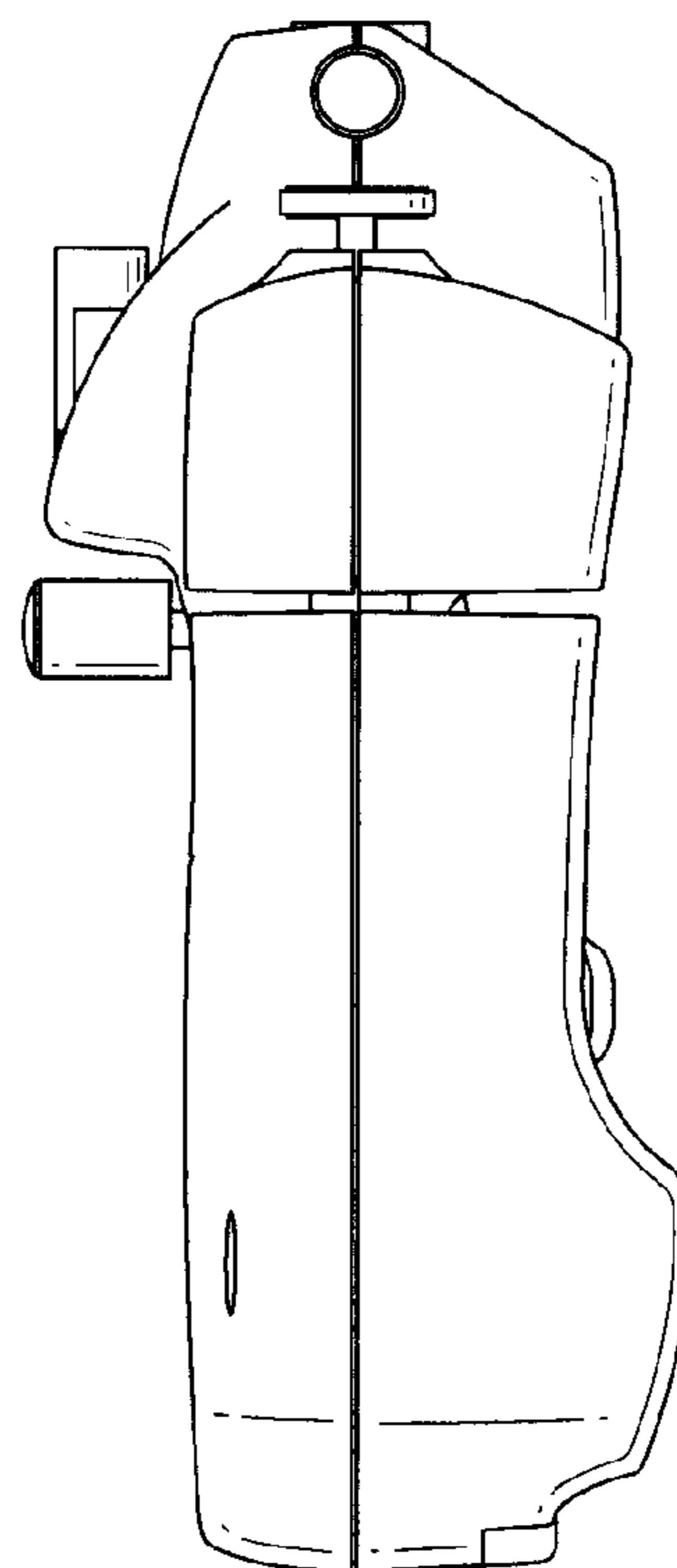


FIG. 6

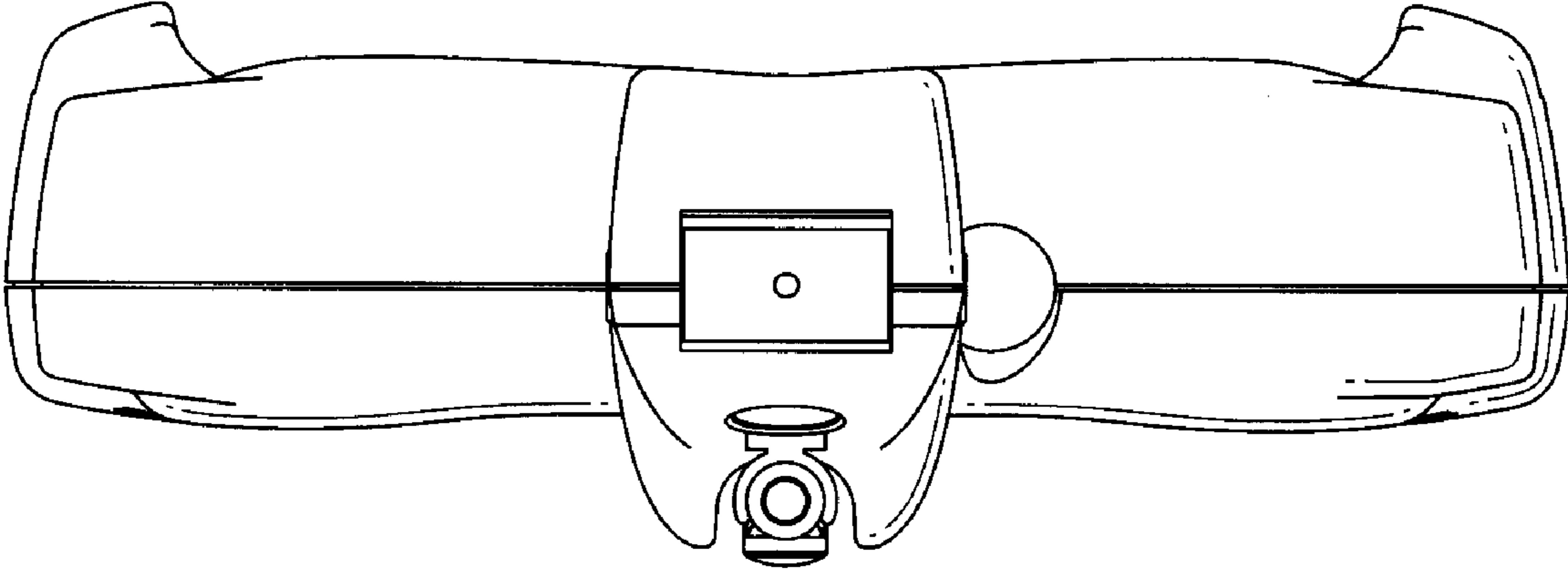


FIG. 7

