



US00D550840S

(12) **United States Design Patent**
Anderson et al.

(10) **Patent No.:** **US D550,840 S**

(45) **Date of Patent:** **** Sep. 11, 2007**

(54) **CATHETER HANDLE CONTROL KNOB**

D303,013 S * 8/1989 Konopka D24/129
D483,869 S * 12/2003 Tran et al. D24/129
D517,209 S * 3/2006 Burton et al. D24/129

(75) Inventors: **Neil L. Anderson**, Roseville (AU);
Evan K. Chong, South Strathfield
(AU); **Paul Turner**, Eveleigh (AU)

* cited by examiner

(73) Assignee: **CathRx Ltd**, Eveleigh, New South
Wales (AU)

Primary Examiner—Ian Simmons
Assistant Examiner—Christopher Lee
(74) *Attorney, Agent, or Firm*—Morrison & Foerster LLP

(**) Term: **14 Years**

(57) **CLAIM**

(21) Appl. No.: **29/264,205**

The ornamental design for a catheter handle control knob, as shown and as described.

(22) Filed: **Aug. 4, 2006**

(51) **LOC (8) Cl.** **24-02**

DESCRIPTION

(52) **U.S. Cl.** **D24/133; D24/129**

FIG. 1 is a rear perspective view of a catheter handle control knob;

(58) **Field of Classification Search** D24/133,

D24/112, 138, 144, 108, 222, 114, 130, 128,

D24/129; 604/95.04, 528; 600/374, 381,

600/463, 466

FIG. 2 is a front perspective view thereof;

FIG. 3 is a side view thereof;

FIG. 4 is a top plan view;

FIG. 5 is a front view thereof; and,

FIG. 6 is a rear view.

See application file for complete search history.

(56) **References Cited**

U.S. PATENT DOCUMENTS

D268,871 S * 5/1983 Benham et al. D24/129

1 Claim, 2 Drawing Sheets

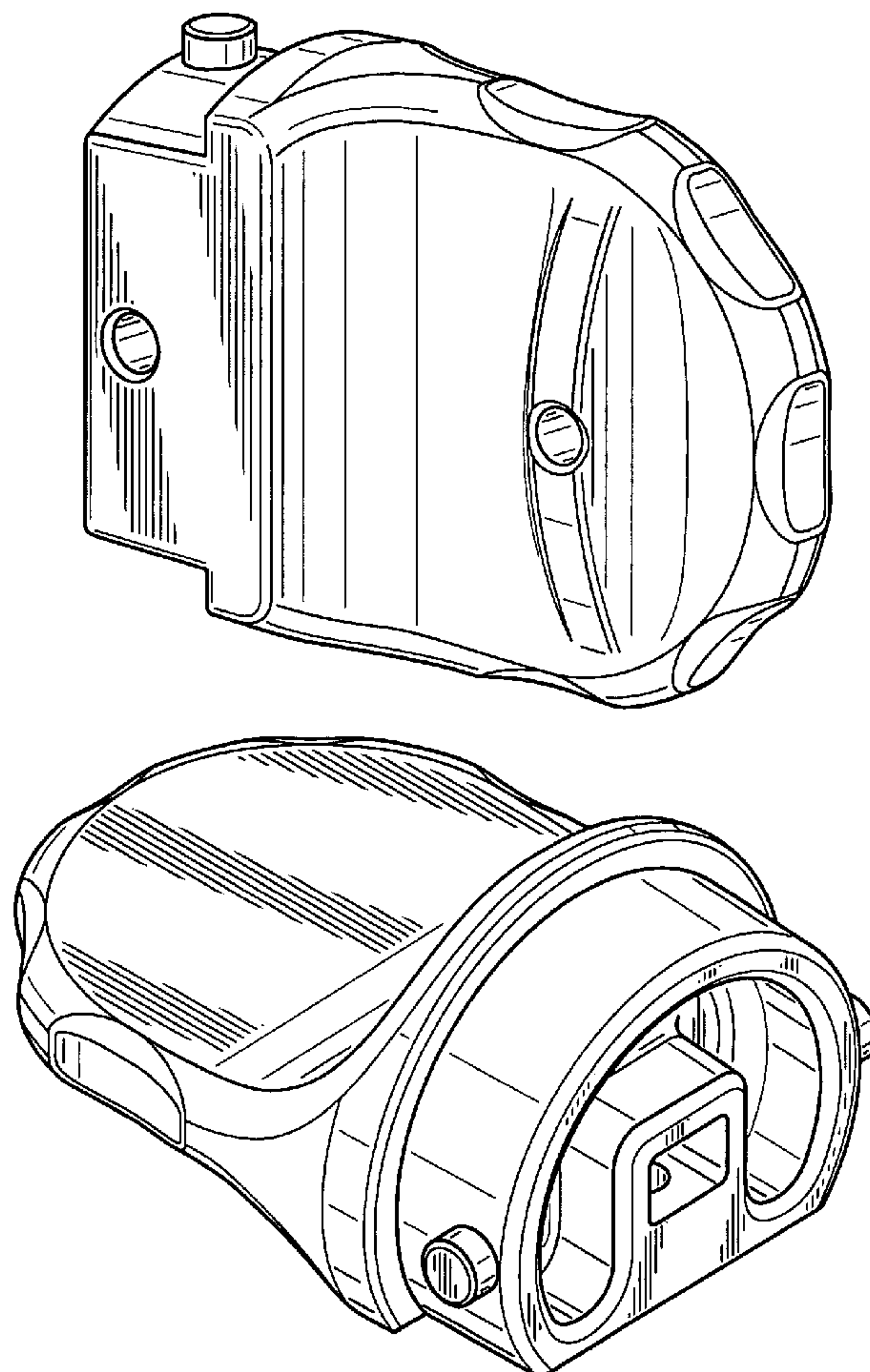


FIG. 1

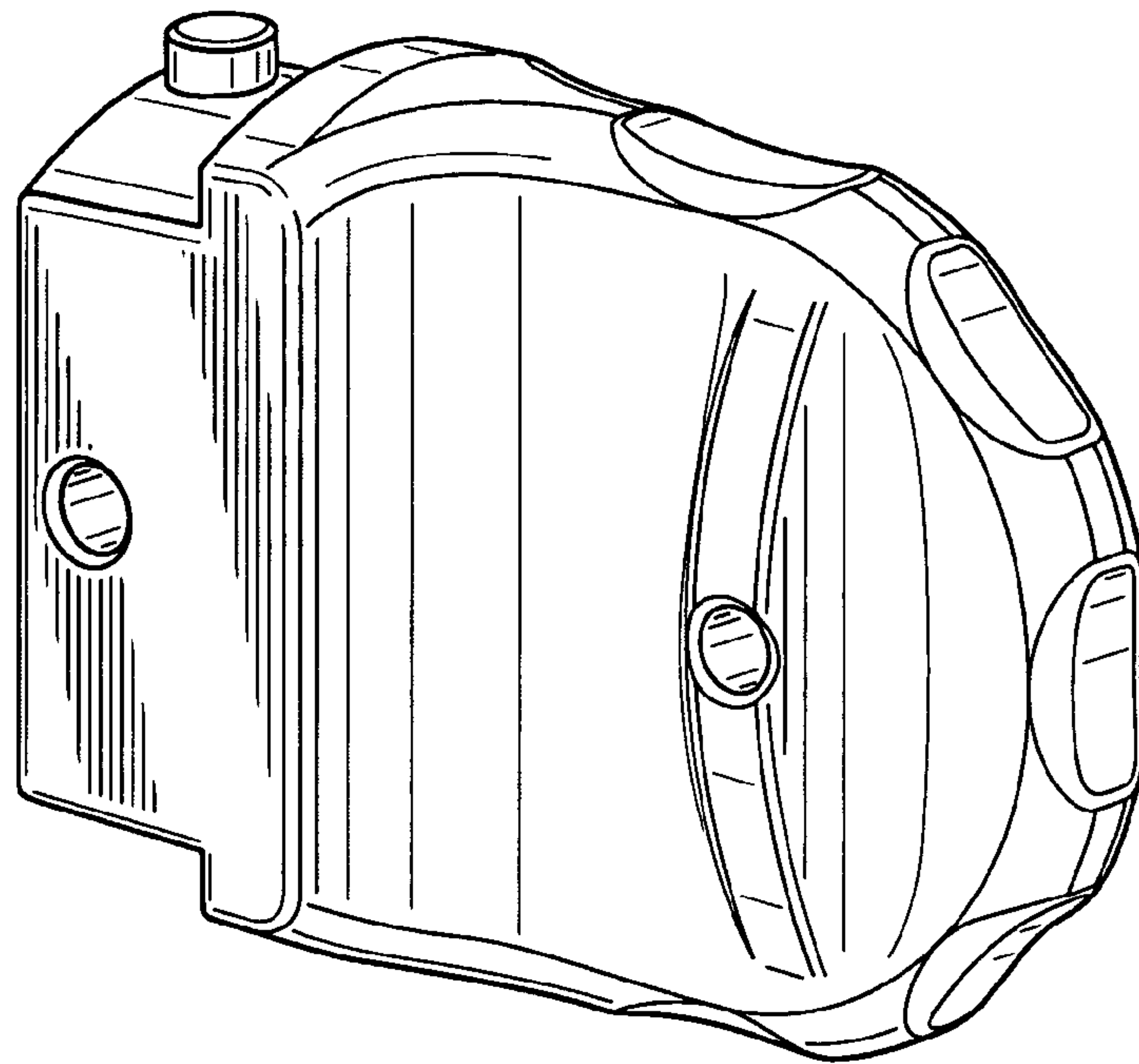
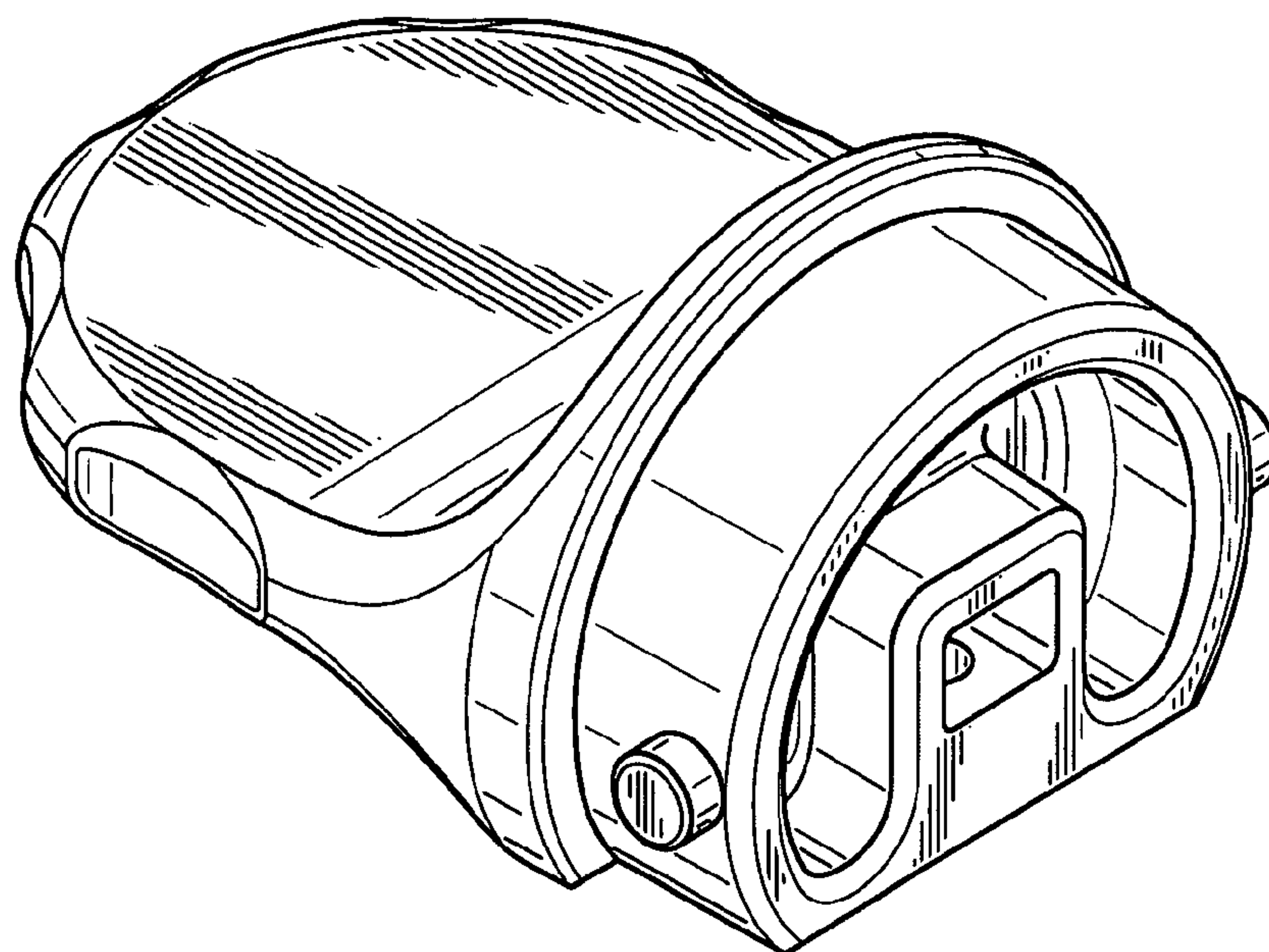


FIG. 2



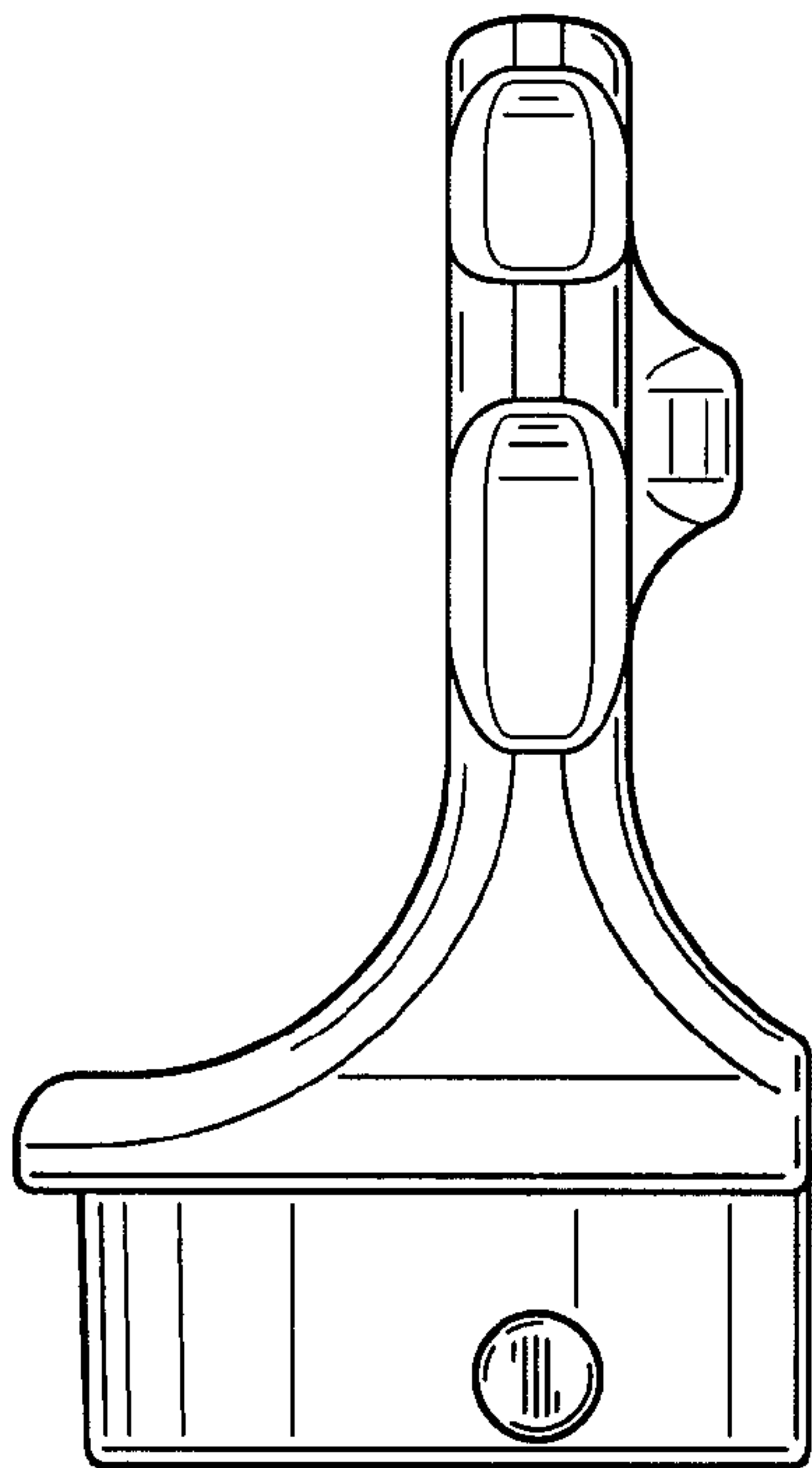


FIG. 3

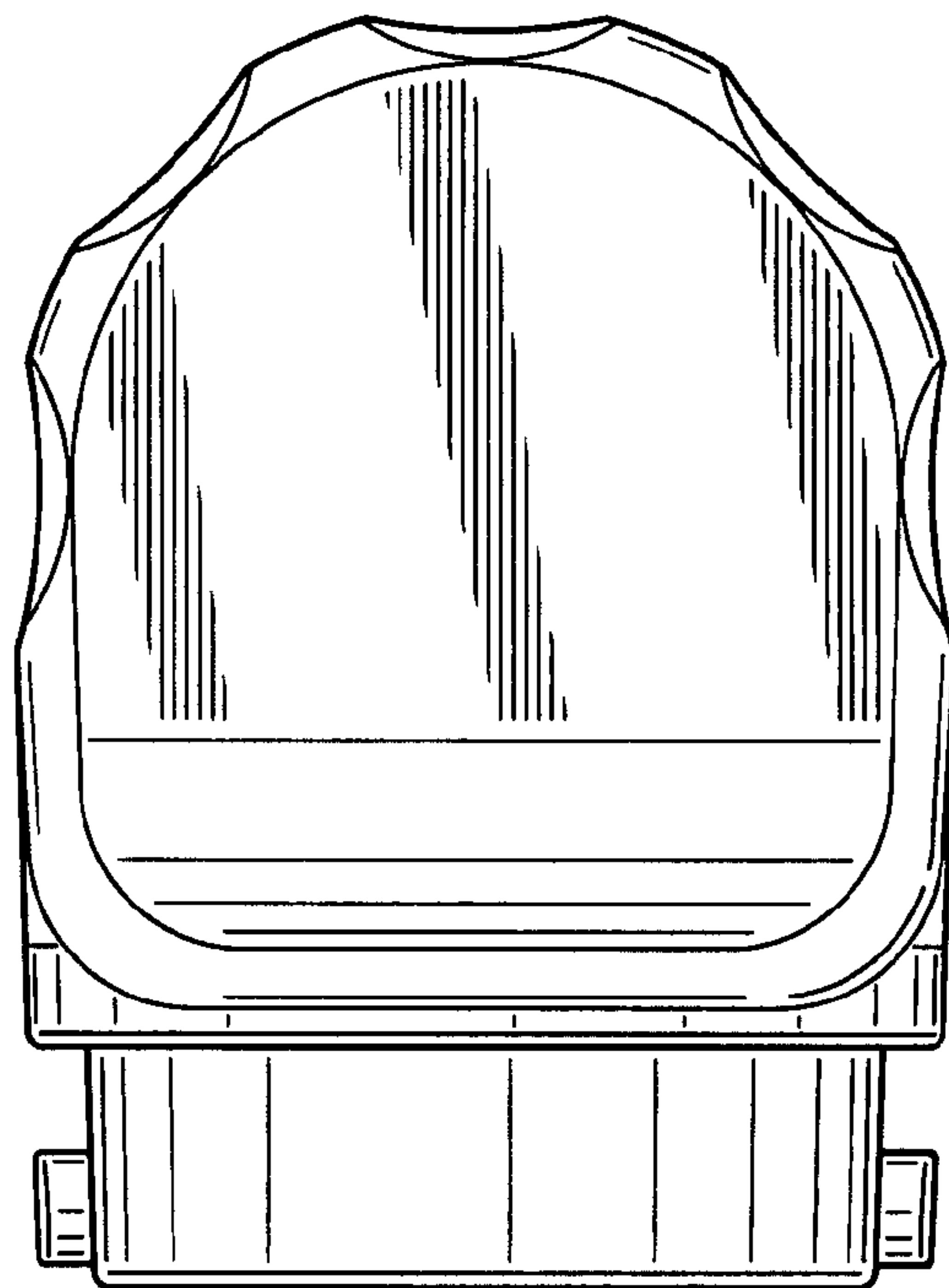


FIG. 4

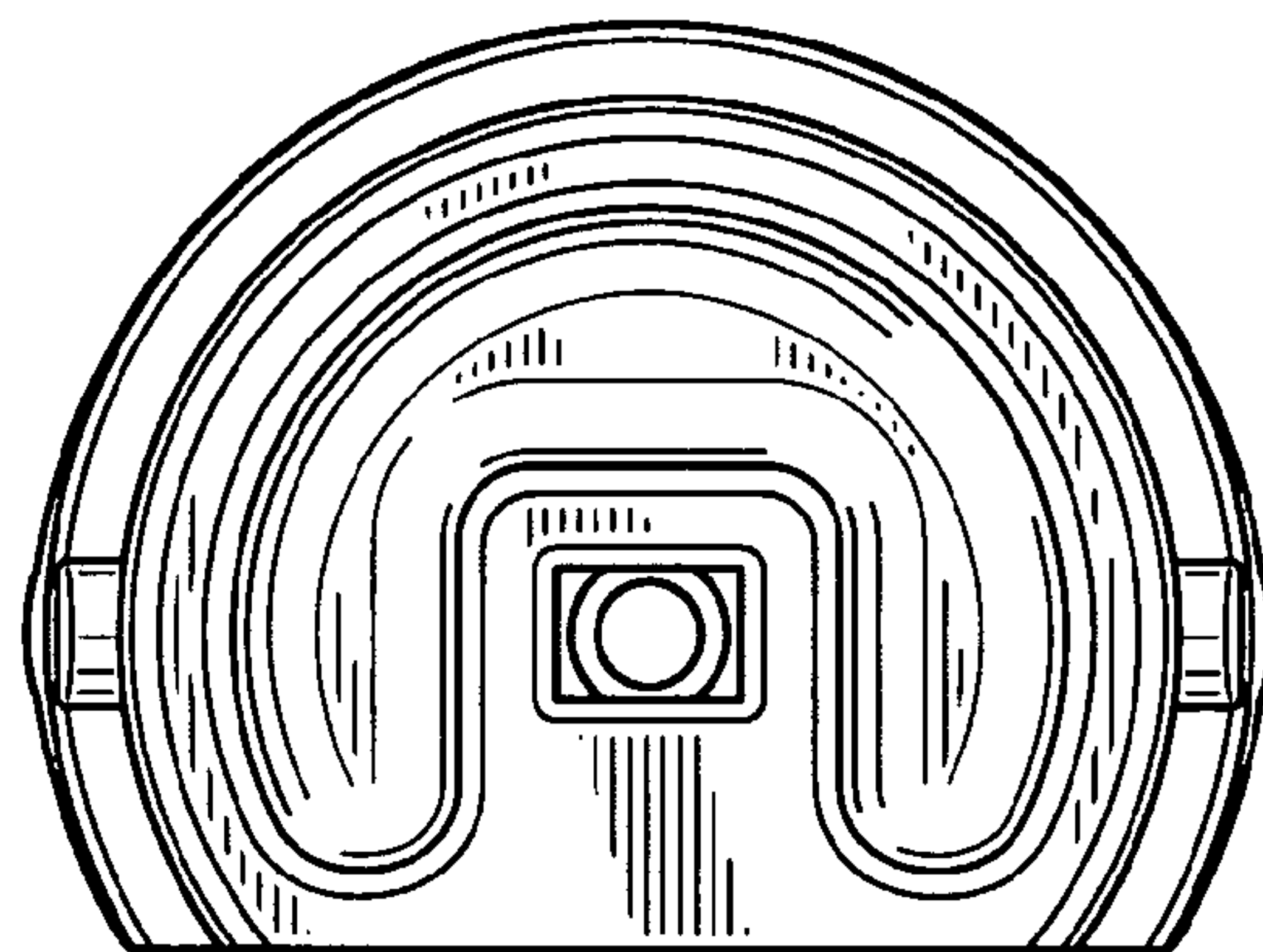


FIG. 5

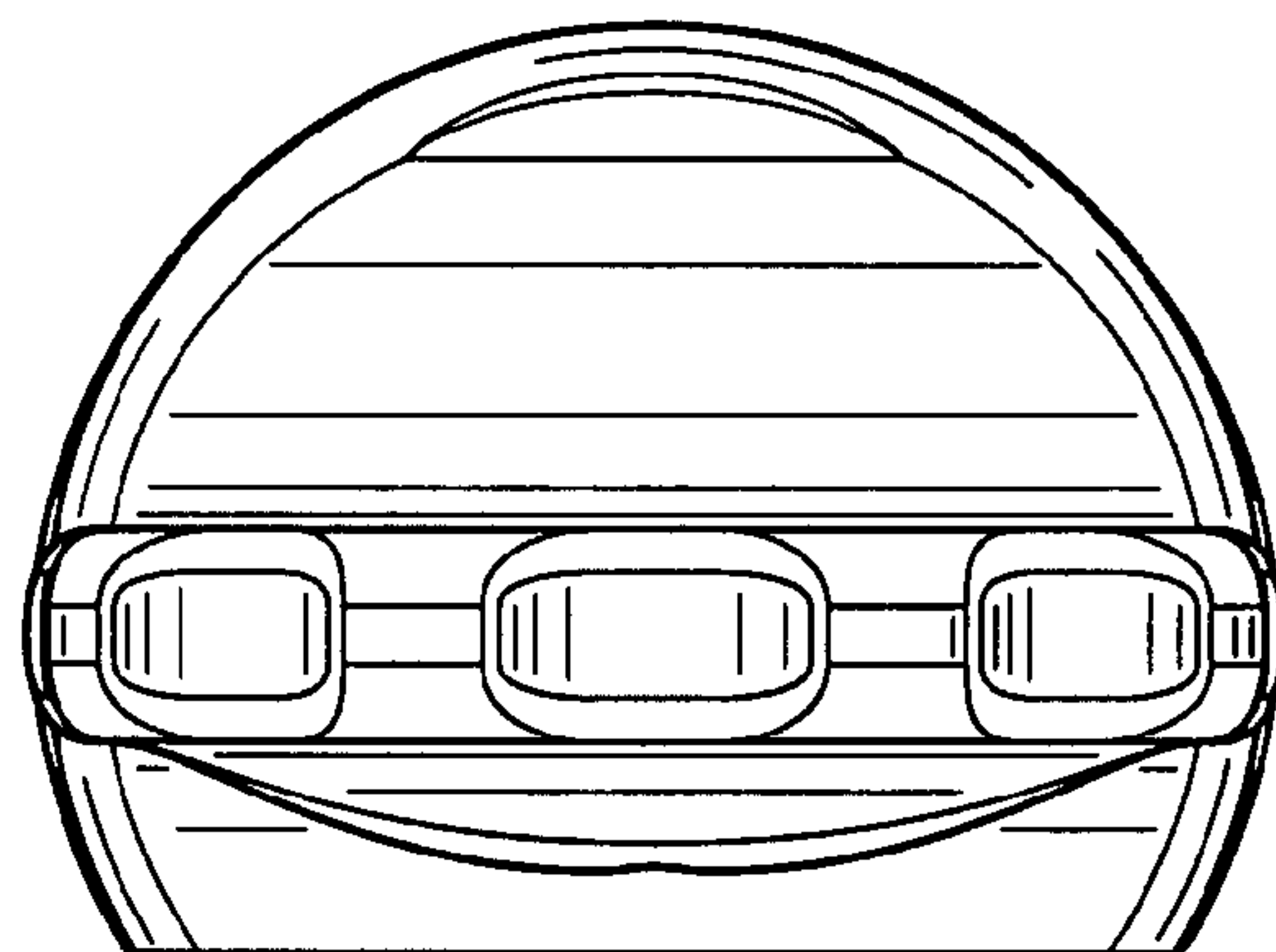


FIG. 6