



US00D550838S

(12) **United States Design Patent**  
**Bruce et al.**

(10) **Patent No.:** **US D550,838 S**

(45) **Date of Patent:** **\*\* Sep. 11, 2007**

(54) **POWER INJECTION SYSTEM FACE PLATE**

(75) Inventors: **John Kevin Bruce**, Burlington, KY (US); **Earl G. Boertlein, II**, Cleves, OH (US); **Tony Michael Guard**, Union, KY (US)

(73) Assignee: **Liebel-Flarsheim Company**, Cincinnati, OH (US)

(\*\*) Term: **14 Years**

(21) Appl. No.: **29/227,127**

(22) Filed: **Apr. 7, 2005**

**Related U.S. Application Data**

(63) Continuation-in-part of application No. 10/964,002, filed on Oct. 13, 2004, and a continuation-in-part of application No. 10/964,003, filed on Oct. 13, 2004.

(51) **LOC (8) Cl.** ..... **24-02**

(52) **U.S. Cl.** ..... **D24/130**

(58) **Field of Classification Search** ..... D24/112, D24/128, 130; D8/14.1; 128/DIG. 1; 600/432; 604/151, 152, 154, 223, 228  
See application file for complete search history.

(56) **References Cited**

**U.S. PATENT DOCUMENTS**

4,677,980	A	7/1987	Reilly et al.	.....	128/655
4,695,271	A	9/1987	Goethel	.....	604/49
5,279,569	A	1/1994	Neer et al.	.....	604/154
5,520,653	A *	5/1996	Reilly et al.	.....	604/152
5,662,612	A	9/1997	Niehoff	.....	604/155
5,830,194	A *	11/1998	Anwar et al.	.....	604/223
5,865,805	A *	2/1999	Ziemba	.....	604/154
5,913,844	A	6/1999	Ziemba et al.	.....	604/154
D452,003	S *	12/2001	Niermann	.....	D24/112

D452,313	S *	12/2001	Niermann	.....	D24/112
6,368,307	B1	4/2002	Ziemba et al.	.....	604/218
D485,356	S *	1/2004	Evans	.....	D24/128
6,676,634	B1 *	1/2004	Spohn et al.	.....	604/154
6,743,205	B2	6/2004	Nolan, Jr. et al.	.....	604/154
2004/0122369	A1 *	6/2004	Schrifer et al.	.....	604/152
2004/0249276	A1 *	12/2004	Nemoto et al.	.....	600/432
2004/0249344	A1 *	12/2004	Nemoto et al.	.....	604/151
2006/0079842	A1 *	4/2006	Small et al.	.....	604/151
2006/0079843	A1 *	4/2006	Brooks et al.	.....	604/151
2006/0167415	A1 *	7/2006	Nemoto	.....	604/154
2006/0184122	A1 *	8/2006	Nemoto	.....	604/154

\* cited by examiner

*Primary Examiner*—Louis S. Zarfaz  
*Assistant Examiner*—Eric L. Goodman  
(74) *Attorney, Agent, or Firm*—Wood, Herron & Evans, LLP

(57) **CLAIM**

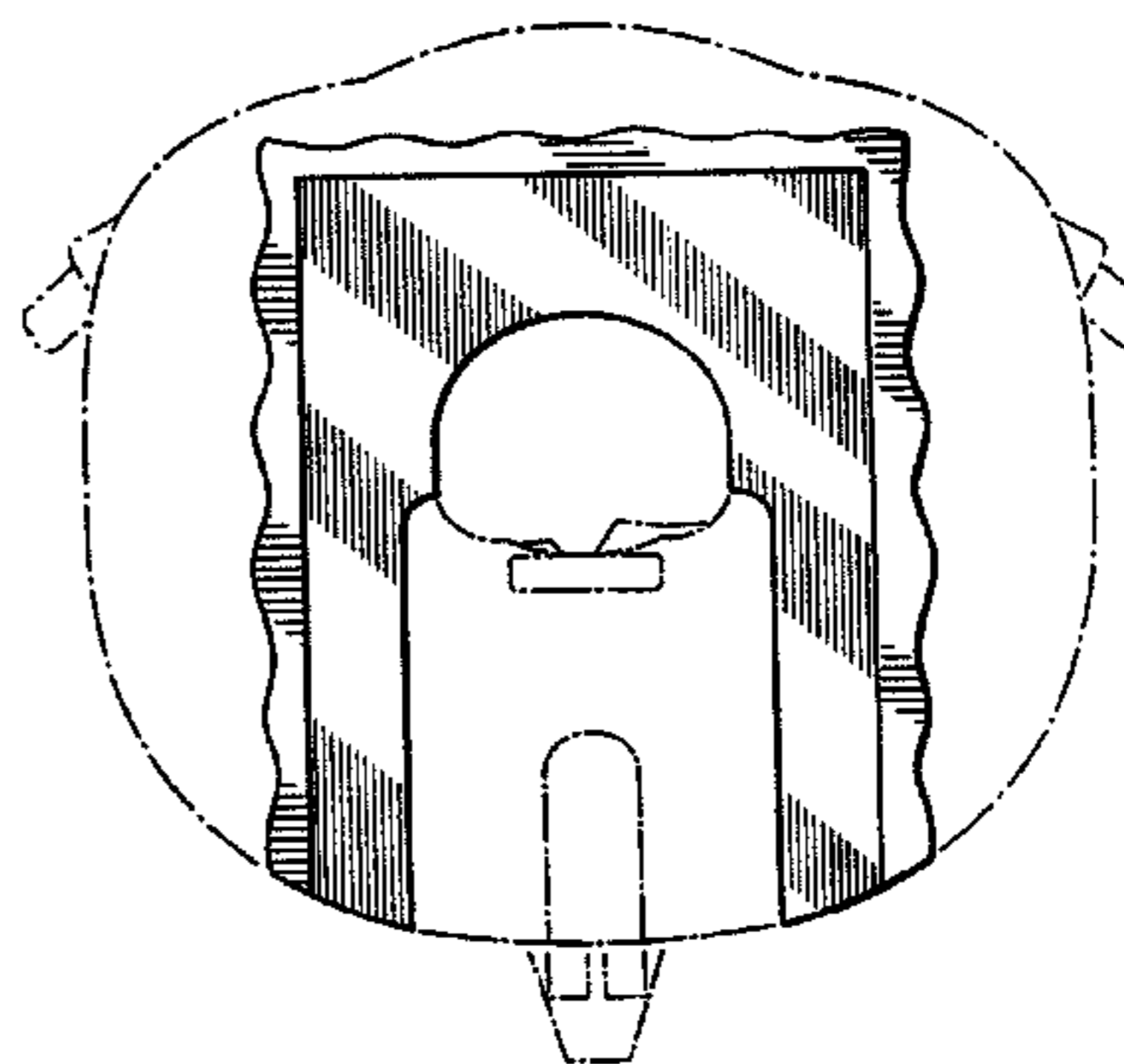
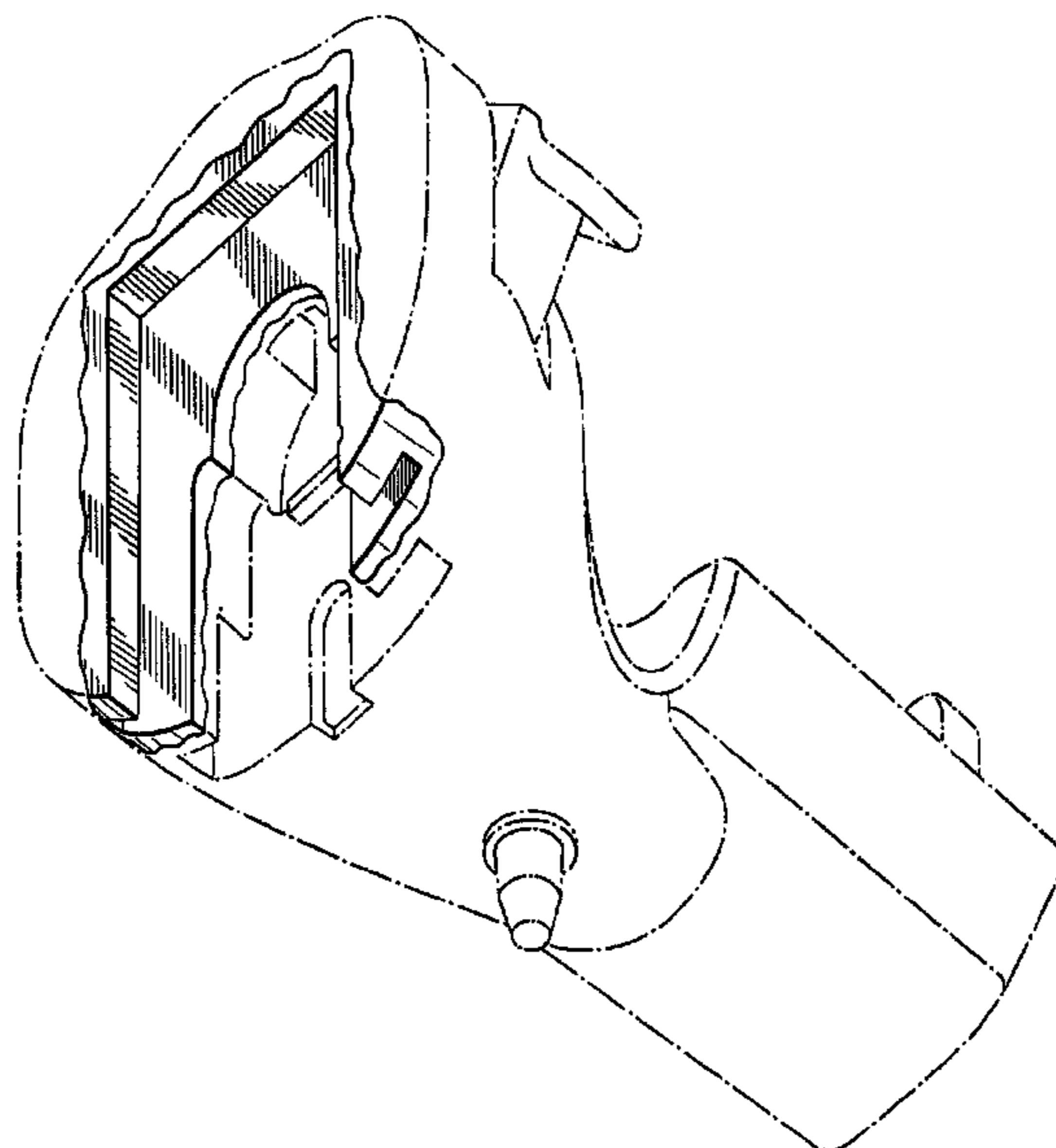
The ornamental design for a power injection system face plate, as shown and described.

**DESCRIPTION**

FIG. 1 is a rear perspective view of the design;  
FIG. 2 is a front view;  
FIG. 3 is a right side view;  
FIG. 4 is a left side view;  
FIG. 5 is a top view;  
FIG. 6 is a bottom view; and,  
FIG. 7 is a rear view.

The broken line showing of the power injection system face plate is for the purpose of illustrating the environmental structure and forms no part of the claimed design.

**1 Claim, 4 Drawing Sheets**



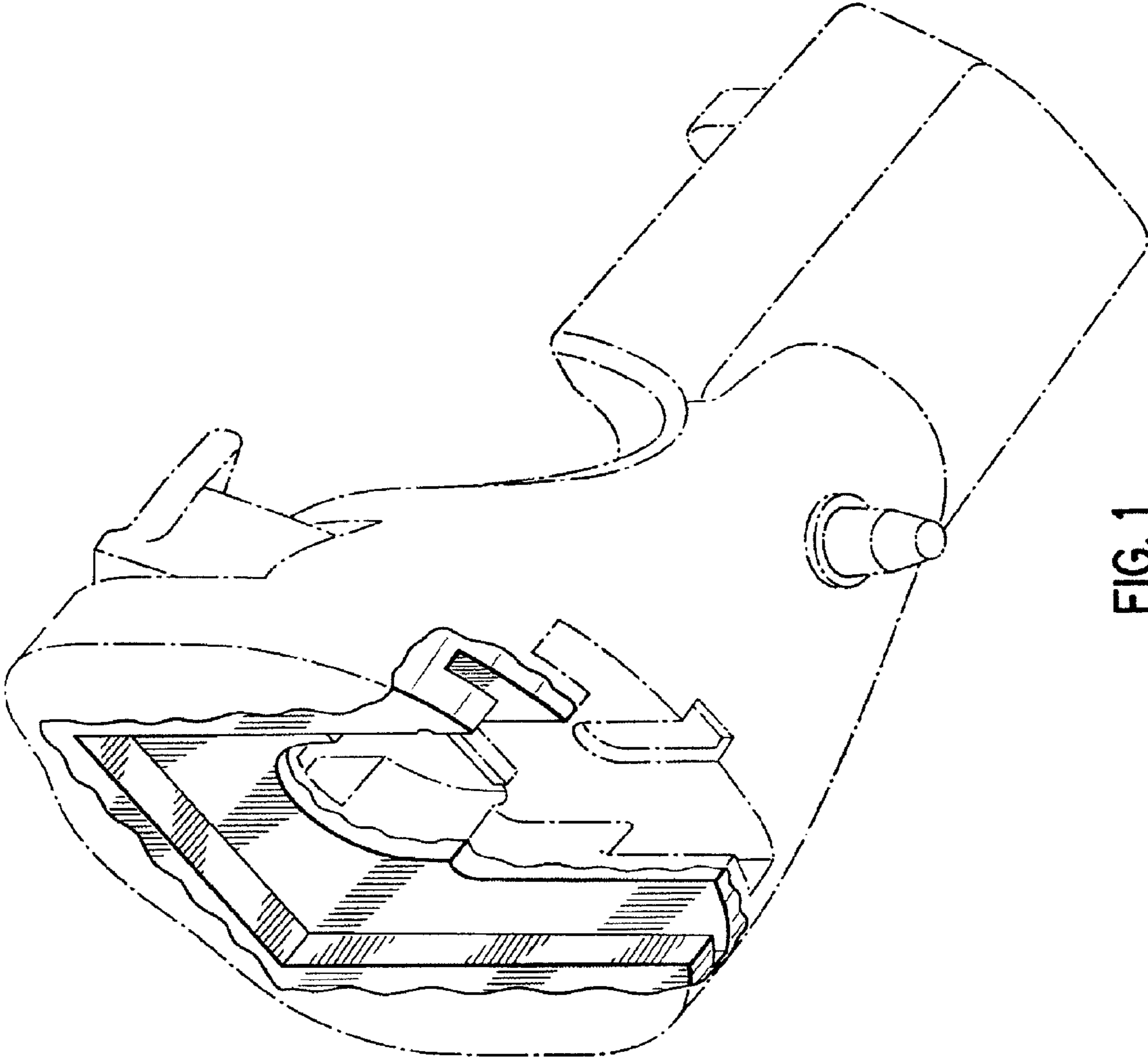


FIG. 1

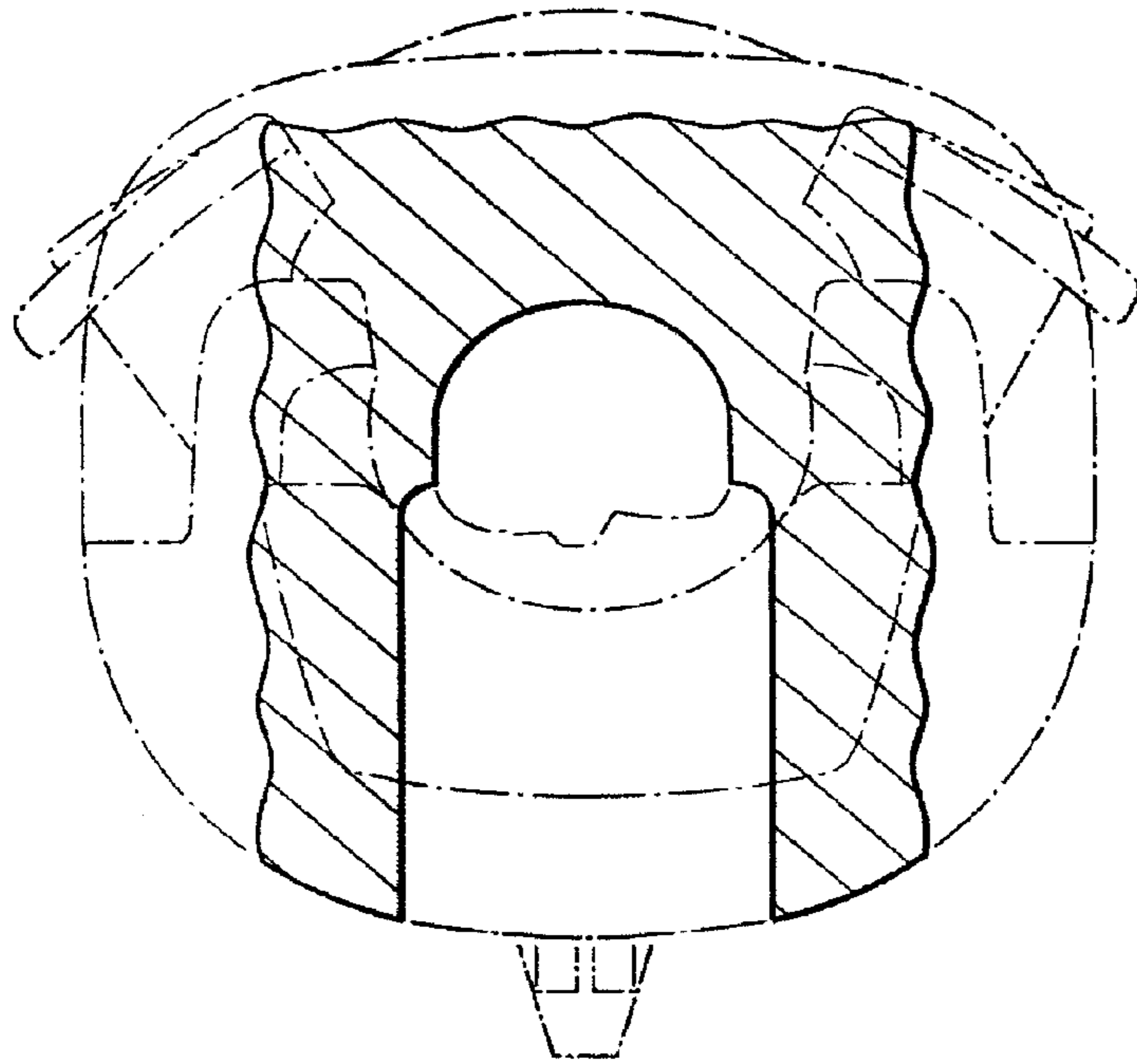


FIG. 2

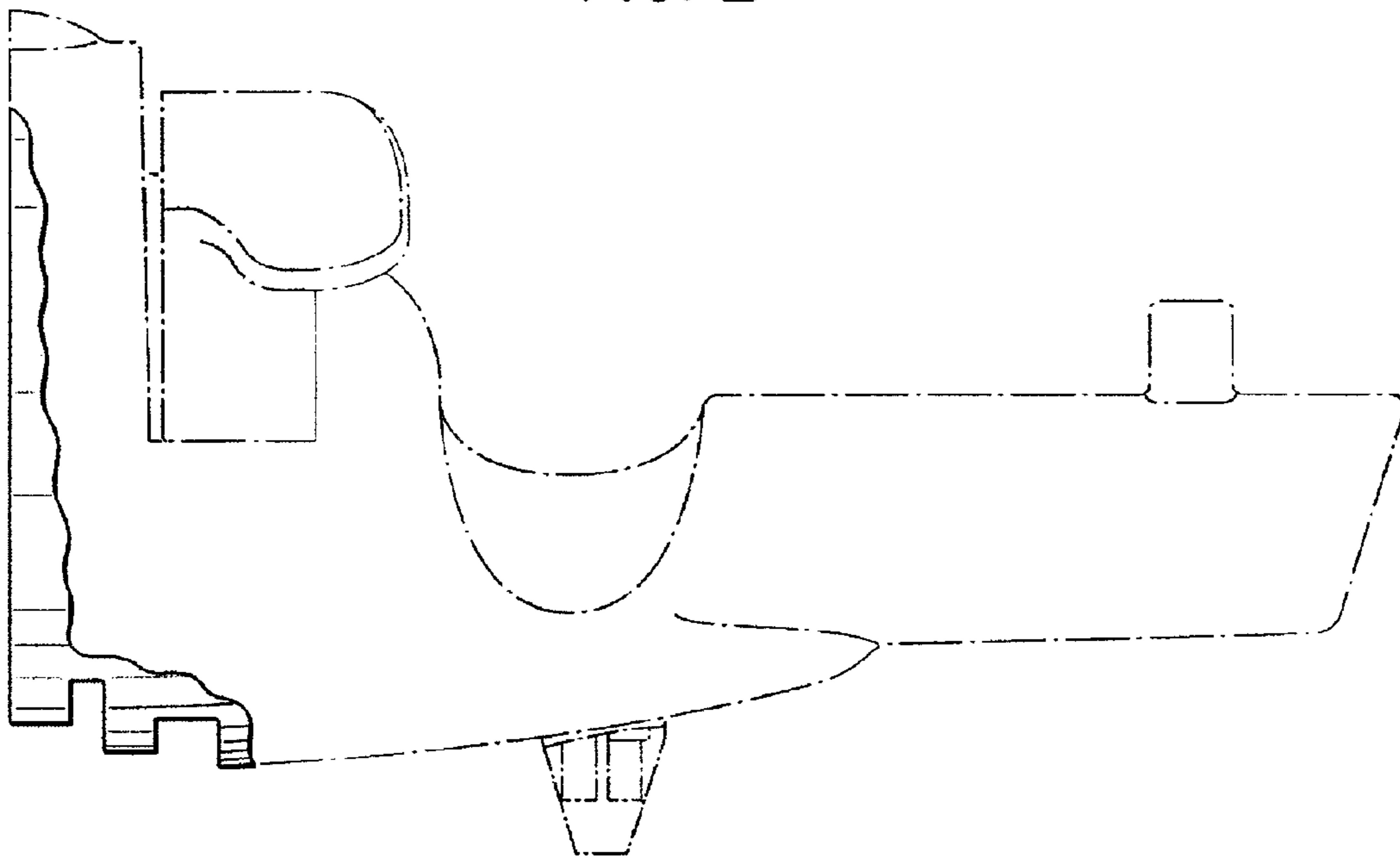


FIG. 3

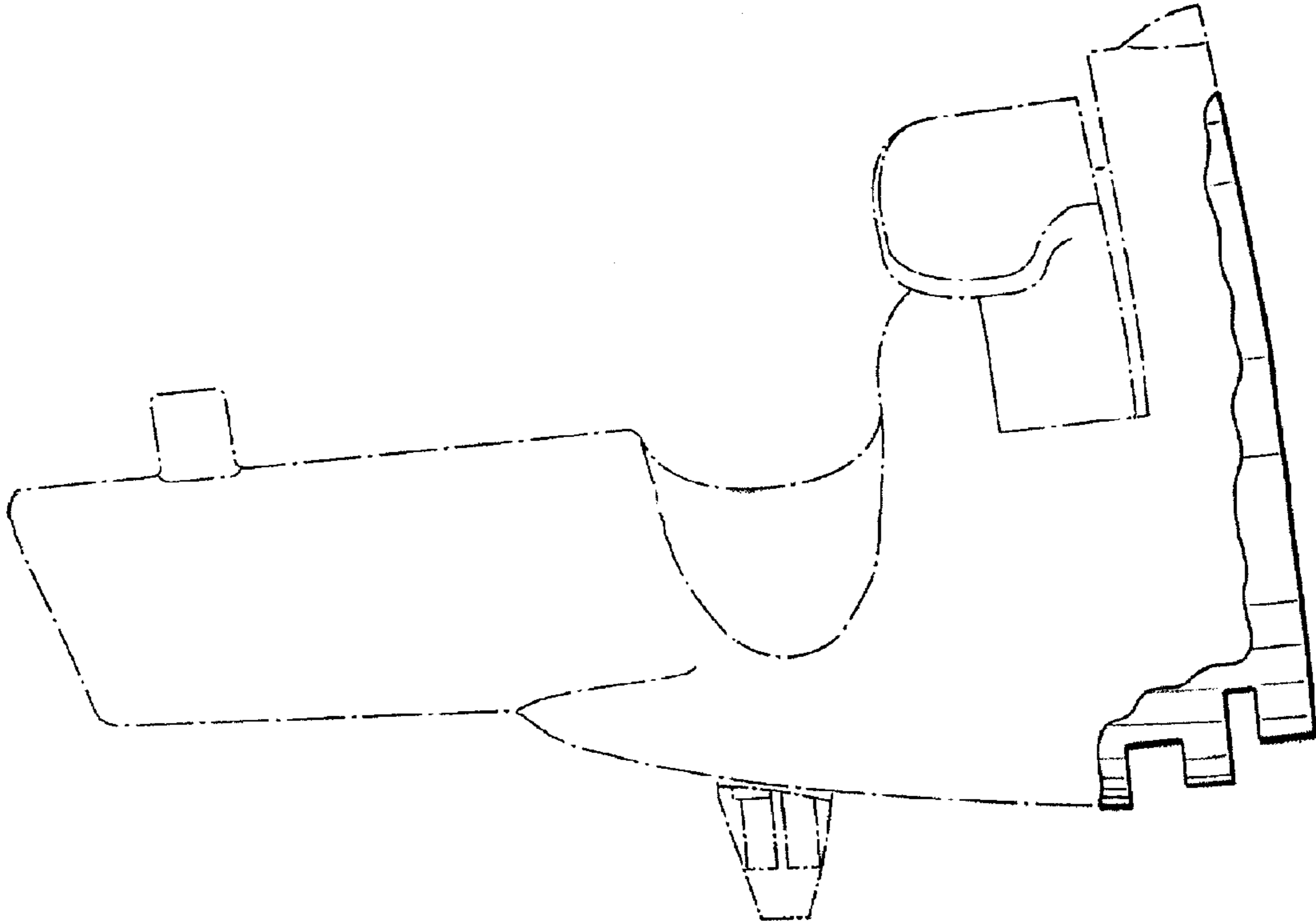


FIG. 4

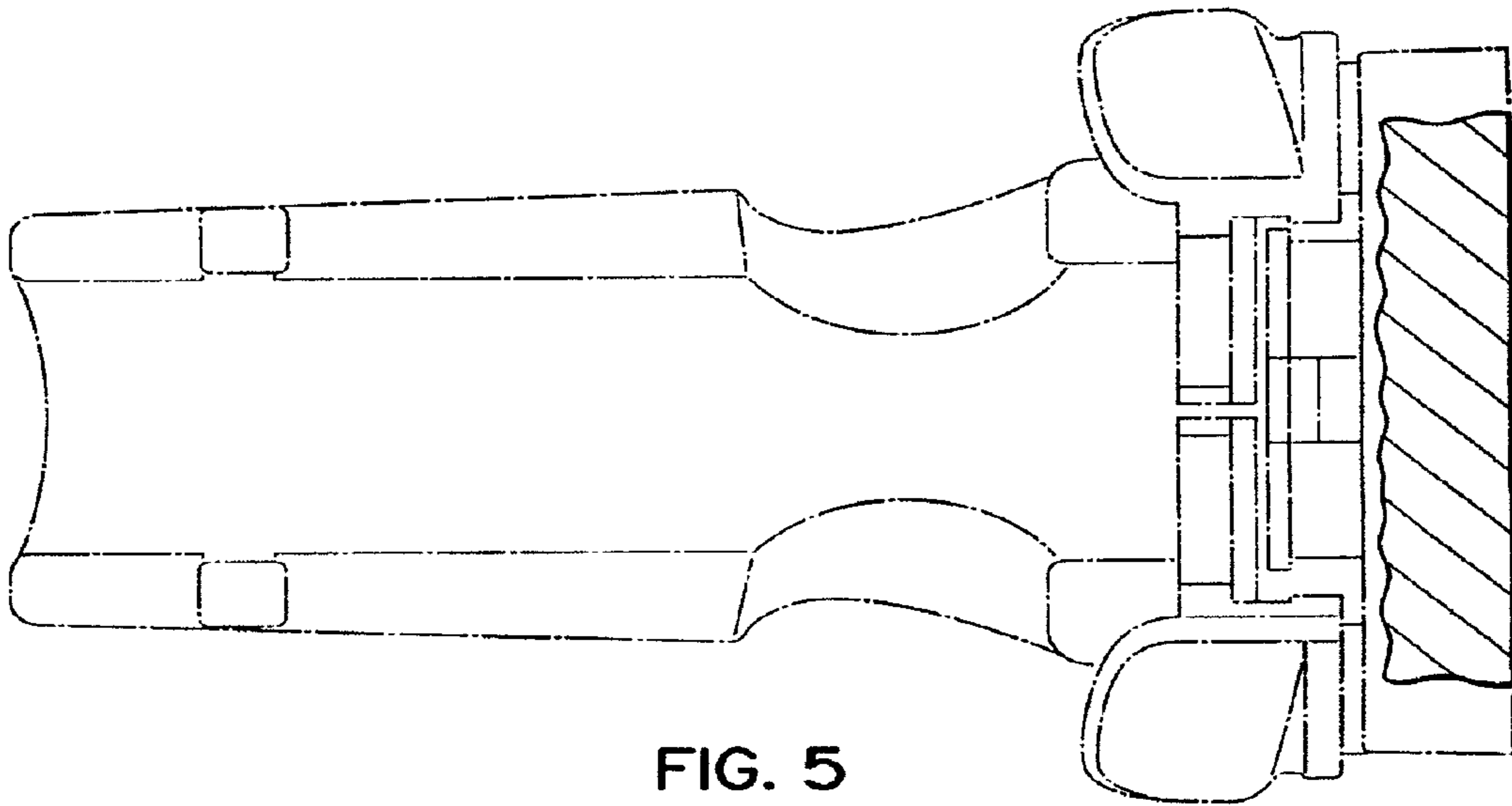


FIG. 5

