



US00D550836S

(12) **United States Design Patent** (10) **Patent No.:** **US D550,836 S**
Chandran et al. (45) **Date of Patent:** **** Sep. 11, 2007**

(54) **VENTILATION INTERFACE**

4,312,359 A 1/1982 Olson
4,367,735 A 1/1983 Dali
4,367,816 A 1/1983 Wilkes
4,406,283 A 9/1983 Bir
4,422,456 A 12/1983 Teip

(75) Inventors: **Sanjay Chandran**, Boca Raton, FL
(US); **Shara Hernandez**, Davie, FL
(US); **Louis Javier Collazo**, Atlanta,
GA (US)

(Continued)

(73) Assignee: **RespCare, Inc.**, Coconut Creek, FL
(US)

FOREIGN PATENT DOCUMENTS

DE 146688 2/1981

(**) Term: **14 Years**

(Continued)

(21) Appl. No.: **29/245,378**

OTHER PUBLICATIONS

(22) Filed: **Dec. 23, 2005**

Snapp Nasal Interface, Tiara Medical Systems, Inc. http://www.tiaramed.com/asp_shop/shopdisplayproducts.asp?id=109&cat=SNAPP%2A+Nasal+Interface, viewed May 17, 2005.

Related U.S. Application Data

(Continued)

(63) Continuation-in-part of application No. 11/298,679,
filed on Dec. 12, 2005, and a continuation-in-part of
application No. 11/175,683, filed on Jul. 6, 2005.

Primary Examiner—Ian Simmons
Assistant Examiner—Christopher Lee
(74) *Attorney, Agent, or Firm*—Maier & Maier, PLLC

(51) **LOC (8) Cl.** **29-02**

(52) **U.S. Cl.** **D24/110.1; D24/110.4**

(58) **Field of Classification Search** D24/110,
D24/110.1, 110.4, 110.5, 164; 128/207.11,
128/207.13, 207.17, 206.27, 206.28, 206.11,
128/206.21

(57) **CLAIM**

The ornamental design for a ventilation interface, as shown
and described.

See application file for complete search history.

DESCRIPTION

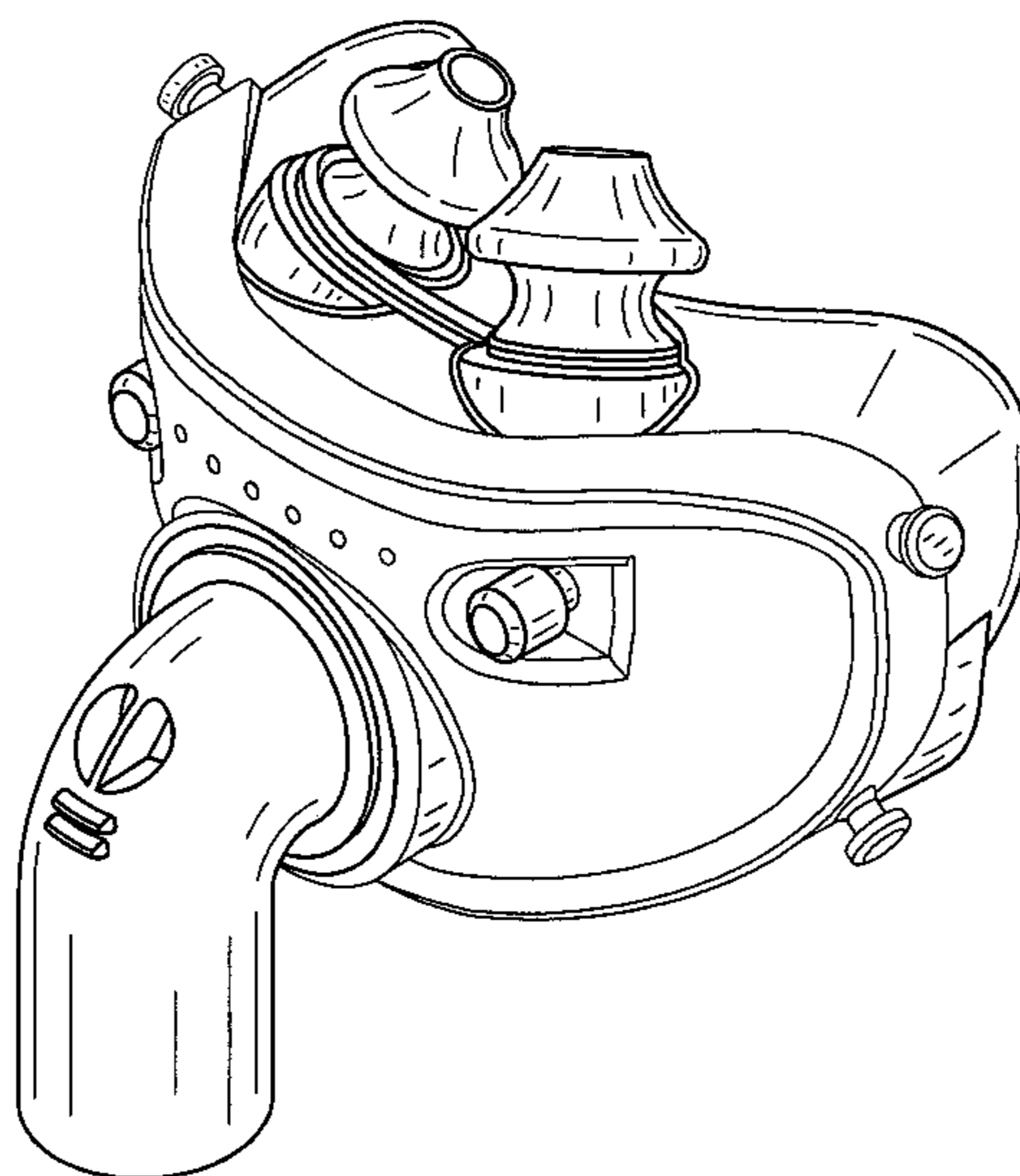
(56) **References Cited**

FIG. 1 is a top and right front perspective view of a
ventilation interface, showing our design;
FIG. 2 is a right side view thereof;
FIG. 3 is a left side view thereof;
FIG. 4 is a front view thereof;
FIG. 5 is a rear view thereof;
FIG. 6 is a top view thereof; and,
FIG. 7 is a bottom view thereof.

U.S. PATENT DOCUMENTS

1,125,542 A 1/1915 Humphries
3,670,726 A 6/1972 Mahon et al.
3,739,774 A 6/1973 Gregory
3,754,552 A 8/1973 King
3,861,385 A 1/1975 Carden
3,902,486 A 9/1975 Guichard
3,905,361 A 9/1975 Hewson et al.
4,156,426 A 5/1979 Gold
4,267,845 A 5/1981 Robertson, Jr. et al.
4,273,124 A 6/1981 Zimmerman

1 Claim, 4 Drawing Sheets



U.S. PATENT DOCUMENTS

4,493,614 A 1/1985 Chu et al.
 4,549,542 A 10/1985 Chien
 4,587,967 A 5/1986 Chu et al.
 4,601,465 A 7/1986 Roy
 4,617,637 A 10/1986 Chu et al.
 4,660,555 A 4/1987 Payton
 4,699,139 A 10/1987 Marshall et al.
 4,706,664 A 11/1987 Snook et al.
 4,753,233 A 6/1988 Grimes
 4,774,946 A 10/1988 Ackerman et al.
 4,899,740 A 2/1990 Napolitano
 4,915,105 A 4/1990 Lee
 4,996,983 A 3/1991 AmRhein
 5,000,173 A 3/1991 Zalkin et al.
 5,022,900 A 6/1991 Bar-Yona et al.
 5,025,805 A 6/1991 Nutter
 5,038,772 A 8/1991 Kolbe et al.
 5,046,491 A 9/1991 Derrick
 5,074,297 A 12/1991 Venegas
 5,113,857 A 5/1992 Dickerman et al.
 5,121,745 A 6/1992 Isreal
 5,127,397 A 7/1992 Kohnke
 5,137,017 A 8/1992 Salter
 D333,015 S 2/1993 Farmer et al.
 5,188,101 A 2/1993 Tumolo
 5,265,592 A 11/1993 Beaussant
 5,265,595 A 11/1993 Rudolph
 5,269,296 A 12/1993 Landis
 5,271,391 A 12/1993 Graves
 5,299,599 A 4/1994 Farmer et al.
 5,335,656 A 8/1994 Bowe et al.
 5,355,893 A 10/1994 Mick et al.
 5,372,130 A 12/1994 Stern et al.
 5,375,593 A 12/1994 Press
 5,385,141 A 1/1995 Granatiero
 5,394,568 A 3/1995 Brostrom et al.
 5,396,885 A 3/1995 Nelson
 5,398,676 A 3/1995 Press et al.
 5,400,776 A 3/1995 Bartholomew
 5,425,359 A 6/1995 Liou
 5,437,267 A 8/1995 Weinstein et al.
 5,509,409 A 4/1996 Weatherholt
 5,526,806 A 6/1996 Sansoni
 5,533,506 A 7/1996 Wood
 5,560,354 A 10/1996 Berthon-Jones et al.
 5,682,881 A 11/1997 Winthrop et al.
 5,740,799 A 4/1998 Nielson
 5,794,619 A 8/1998 Edelman et al.

5,906,203 A 5/1999 Klockseth et al.
 5,954,049 A 9/1999 Foley et al.
 6,123,071 A 9/2000 Berthon-Jones et al.
 6,357,441 B1 3/2002 Kwok et al.
 6,431,172 B1 8/2002 Bordewick
 6,439,234 B1 8/2002 Curti et al.
 6,561,188 B1 5/2003 Ellis
 6,561,193 B1 5/2003 Noble
 6,571,798 B1 6/2003 Thornton
 6,581,602 B2 6/2003 Kwok et al.
 6,595,214 B1 7/2003 Hecker et al.
 6,595,215 B2 7/2003 Wood
 6,637,434 B2 10/2003 Noble
 6,655,385 B1 12/2003 Curti et al.
 D485,905 S * 1/2004 Moore et al. D24/110.1
 6,679,265 B2 1/2004 Strickland et al.
 6,766,800 B2 7/2004 Chu et al.
 2002/0046755 A1 4/2002 DeVoss
 2002/0124849 A1 9/2002 de Villemeur
 2003/0196658 A1 10/2003 Ging et al.
 2004/0112384 A1 6/2004 Lithgow et al.
 2005/0028822 A1 2/2005 Sleeper et al.
 2005/0033247 A1 2/2005 Thompson
 2005/0051176 A1 3/2005 Riggins
 2005/0061326 A1 3/2005 Payne, Jr.
 2006/0124131 A1 * 6/2006 Chandran et al. 128/206.28
 2006/0137690 A1 * 6/2006 Gunaratnam et al. .. 128/206.11
 2006/0237017 A1 10/2006 Davidson et al.
 2006/0283481 A1 12/2006 Lubke et al.

FOREIGN PATENT DOCUMENTS

DE 19944242 3/1991
 DE 3719009 12/1998
 EP 93309991.3 6/1995
 GB 0532214 1/1941
 GB 2368533 5/2002
 WO WO 01/97892 A1 6/2000
 WO PCT/AU2004/001832 7/2005

OTHER PUBLICATIONS

Respironics Co.—Mask Family—<http://masksfamily.respironics.com/> viewed on Jul. 24, 2006.
 ResMed Co.—Mask Products—http://resmed.com/portal/site/ResMedUS/index.jsp?front_door=true viewed on Jul. 24, 2006.
 Fisher and Paykel Co.—Product Family—<http://www.fphcare.com/osa/products.asp> viewed on Jul. 24, 2006.
 Hans Rudolph Inc.—Mask Products—<http://www.rudolphkc.com/products.php?category=MASKS> viewed on Jul. 24, 2006.

* cited by examiner

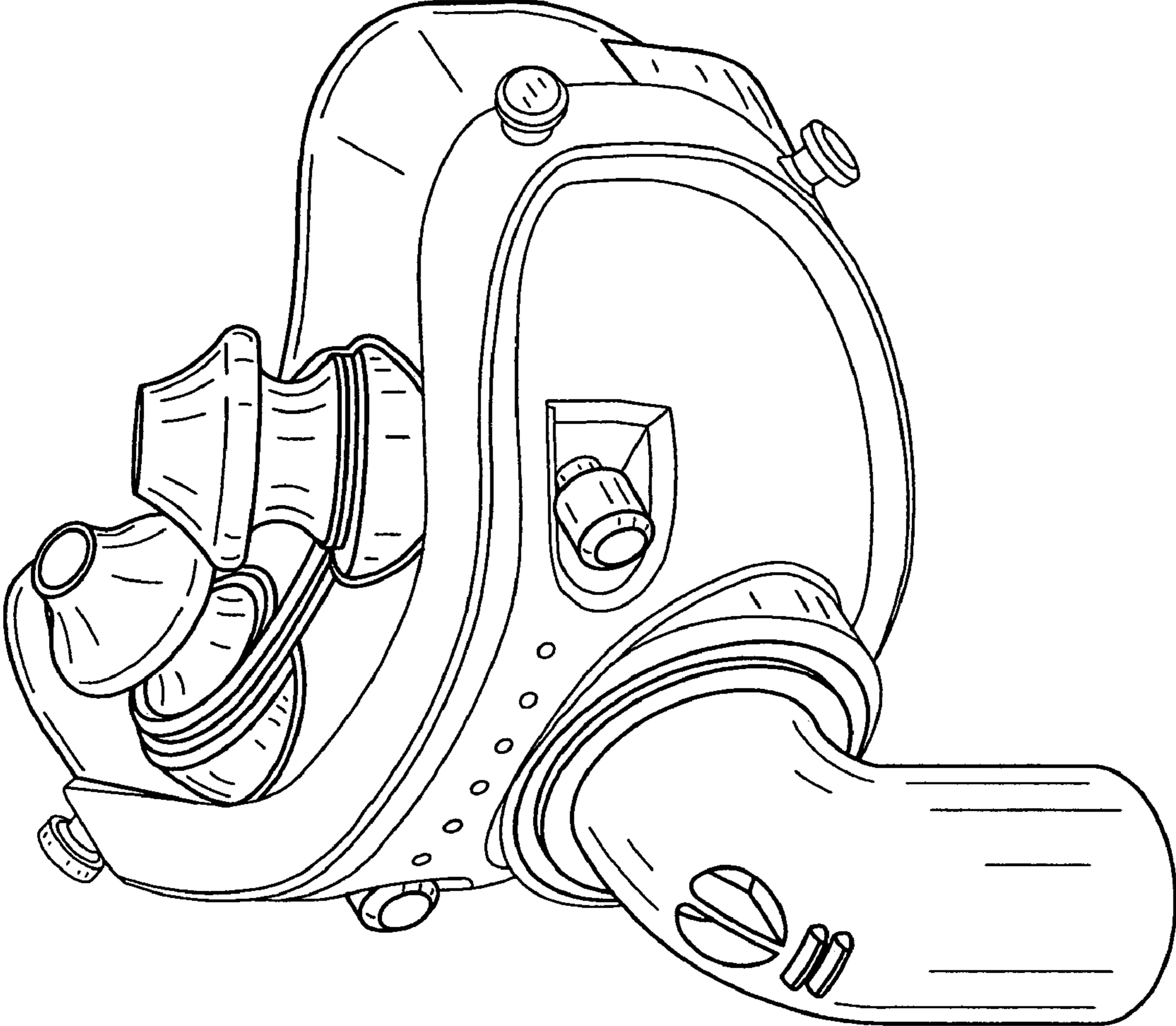


FIG. 1

FIG. 3

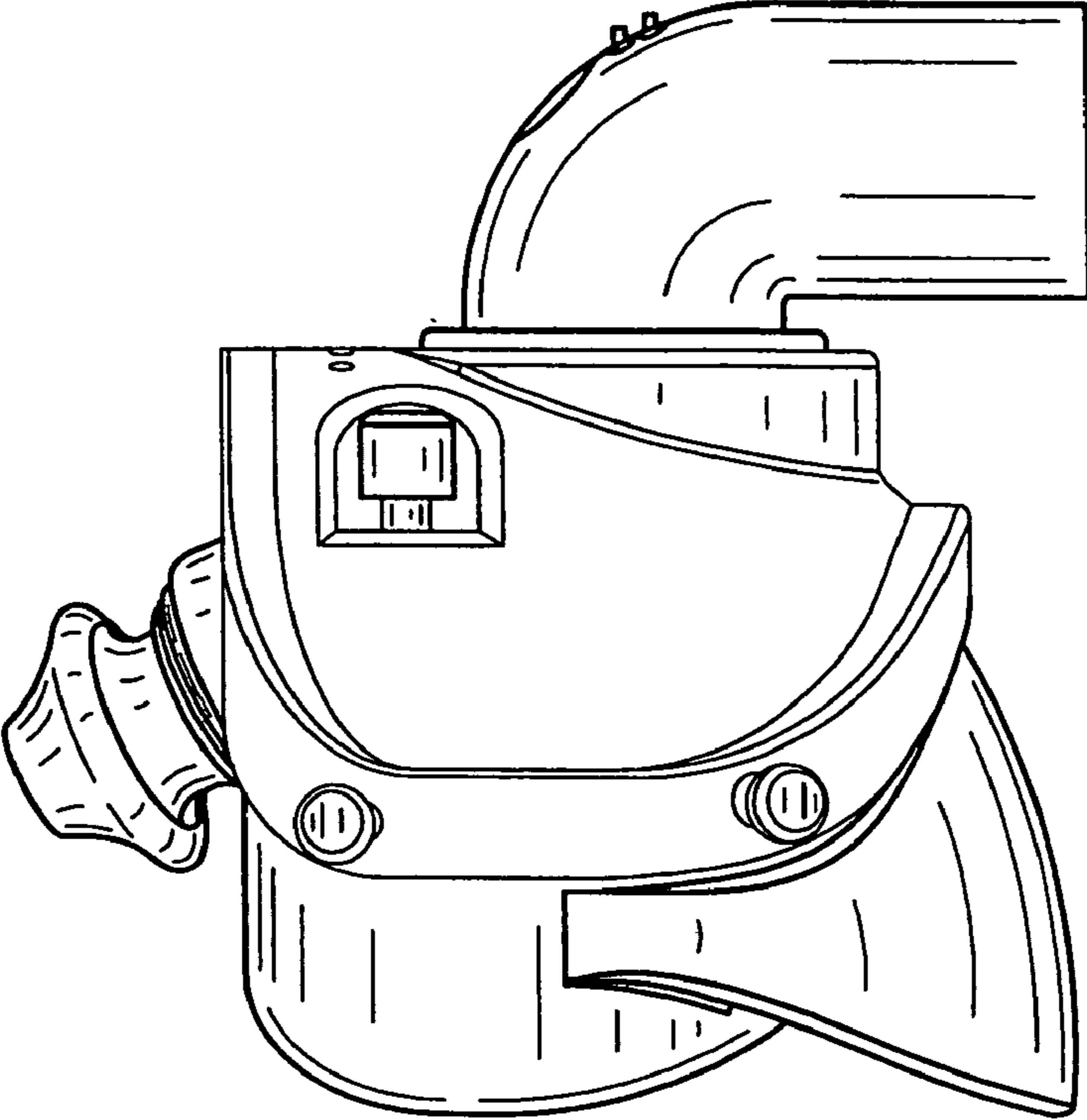


FIG. 2

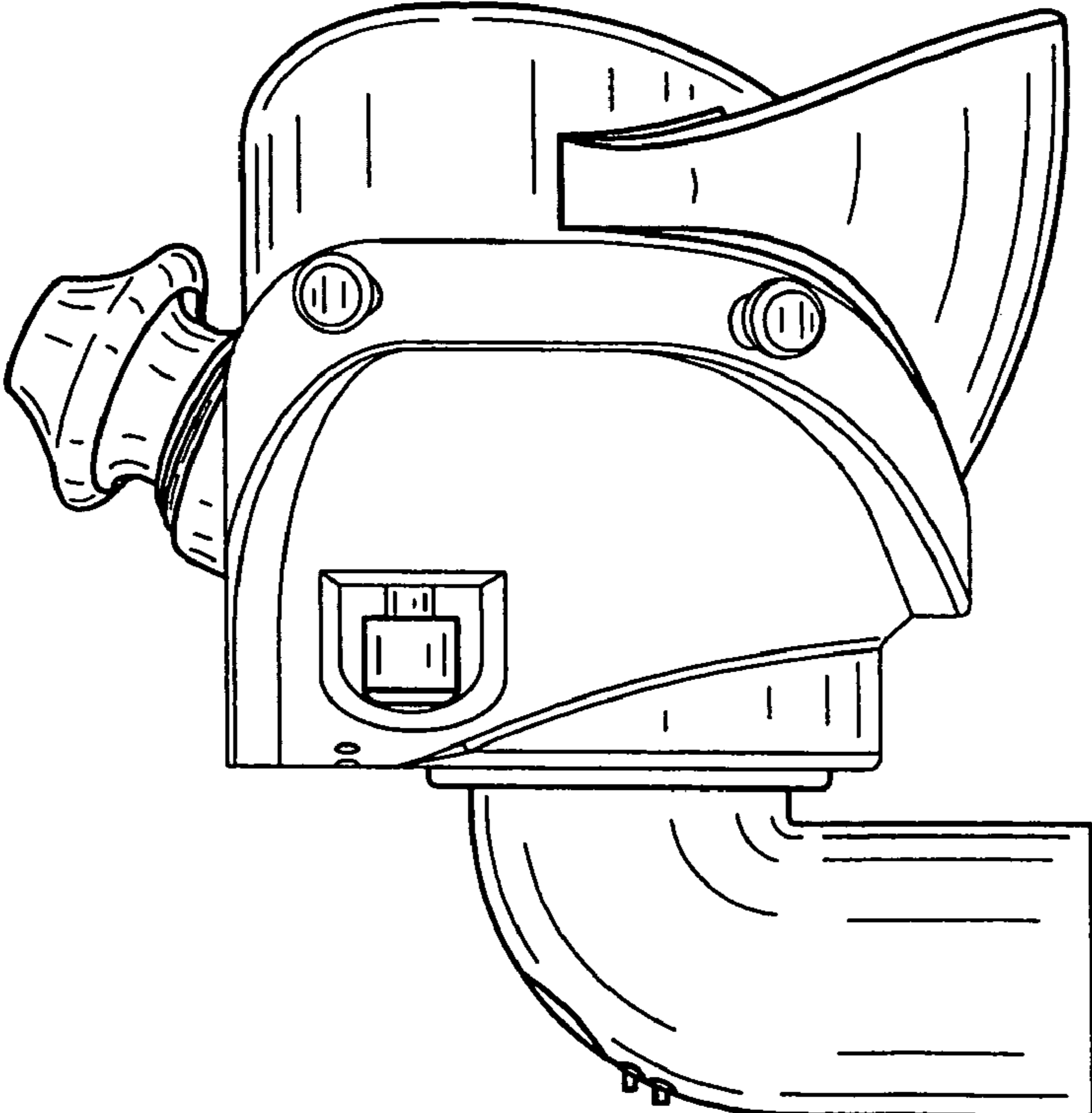


FIG. 5

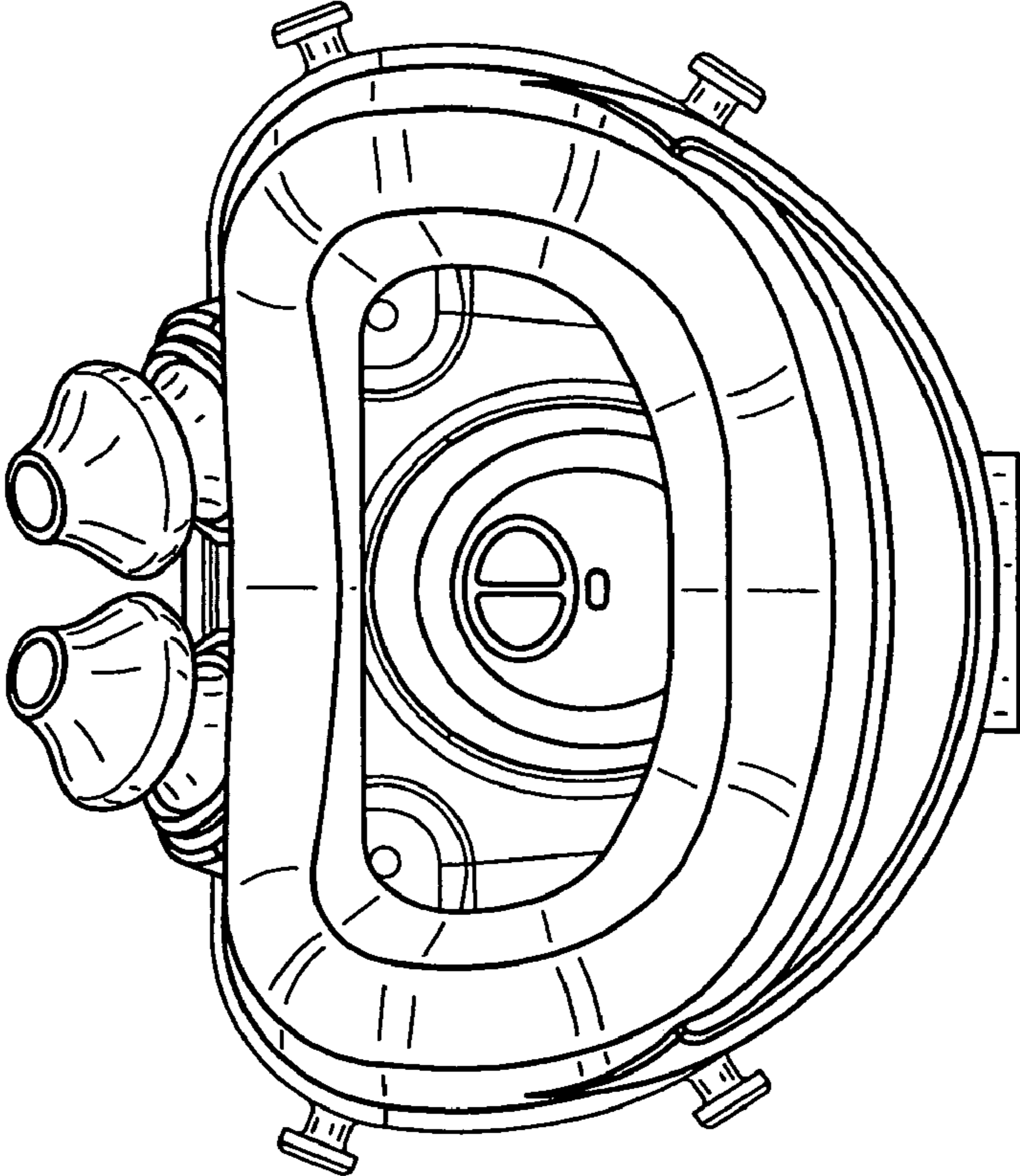


FIG. 4

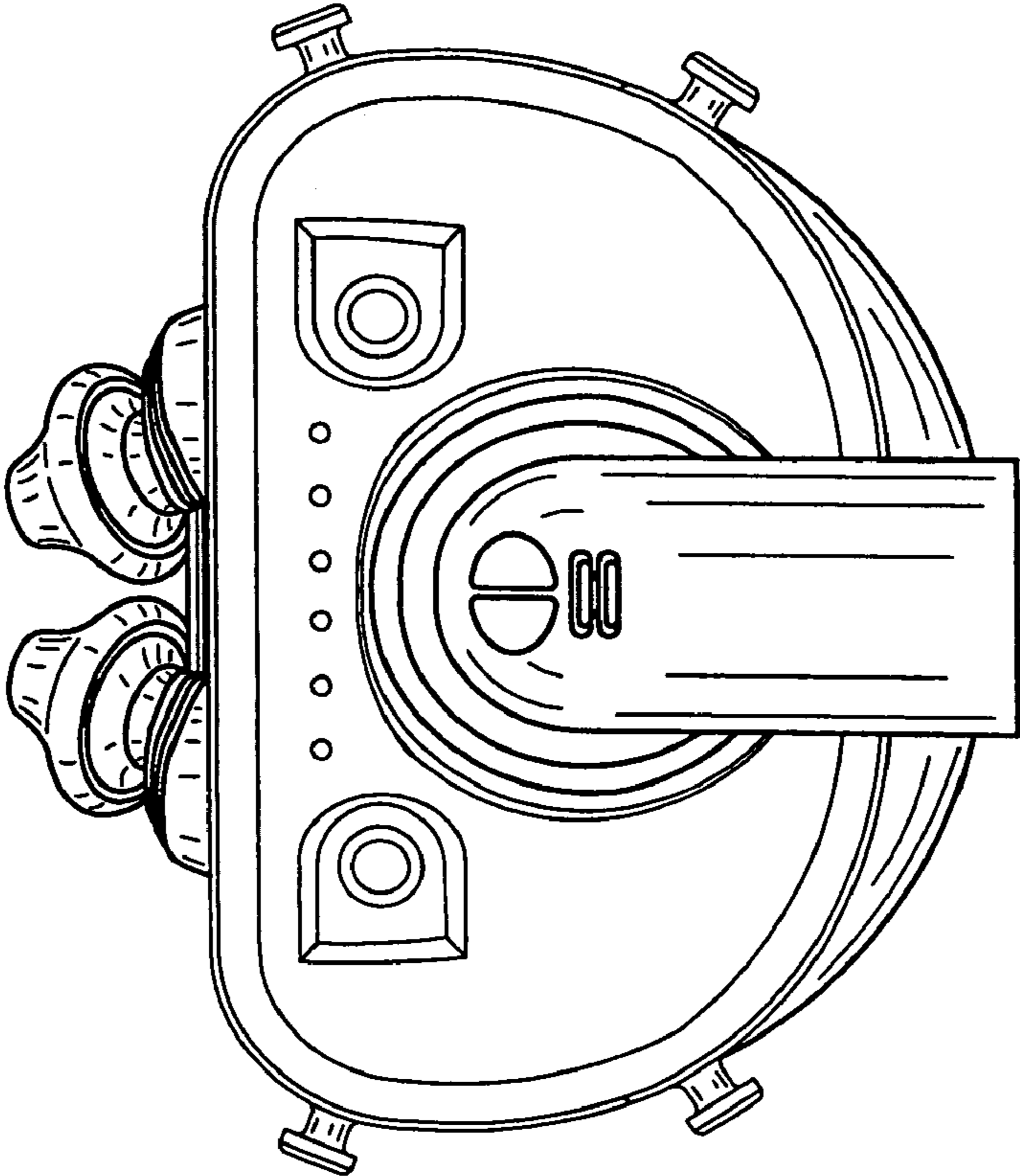


FIG. 7

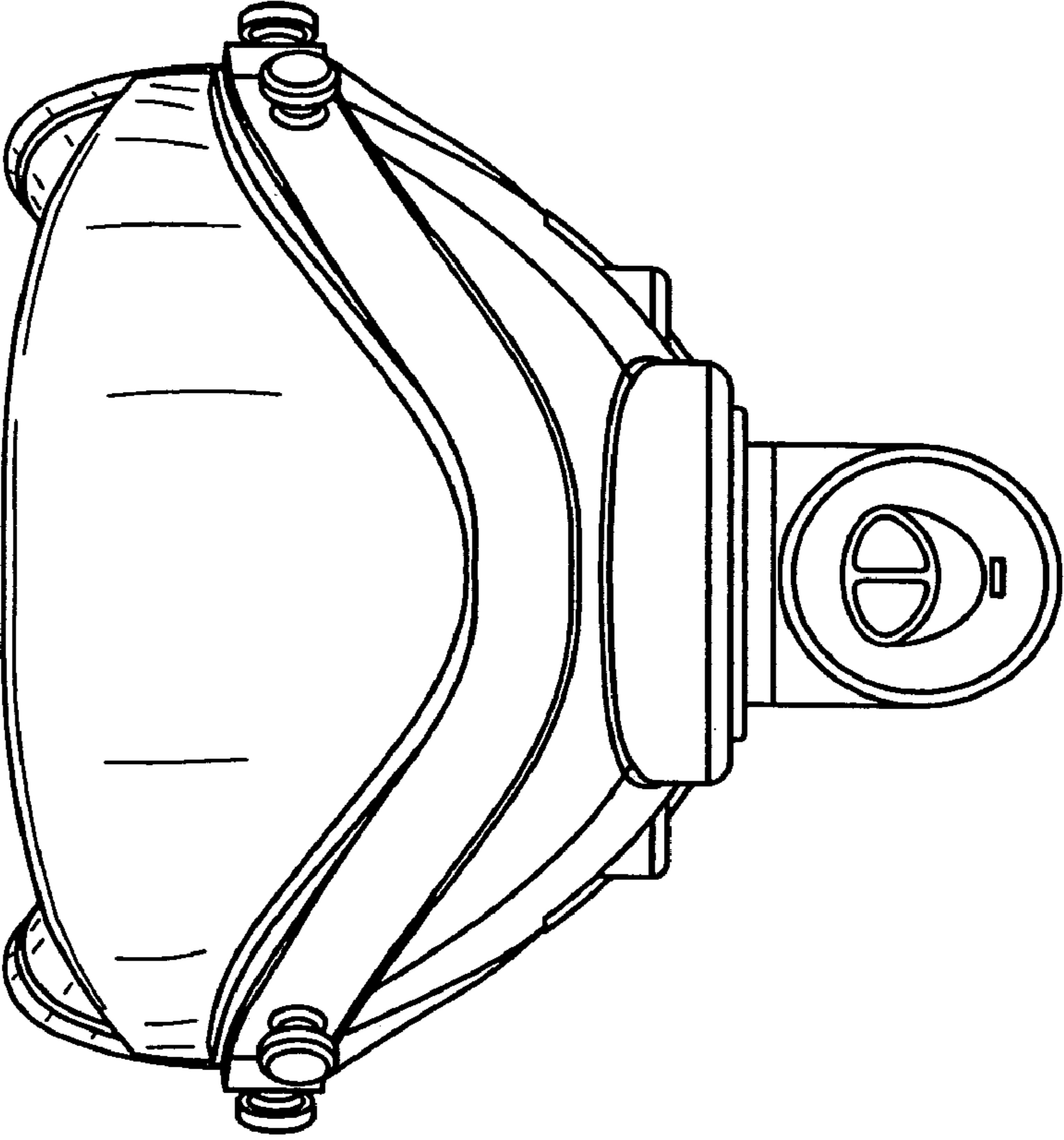


FIG. 6

