



US00D550832S

(12) **United States Design Patent**
Ertze

(10) **Patent No.:** **US D550,832 S**

(45) **Date of Patent:** **** Sep. 11, 2007**

(54) **COMBINED CEILING FAN MOTOR HOUSING AND LIGHT KIT**

D526,406 S * 8/2006 Hidalgo D23/411

* cited by examiner

(75) Inventor: **Pablo J. Ertze**, Rancho Cucamonga, CA (US)

Primary Examiner—Lisa Lichtenstein

(74) *Attorney, Agent, or Firm*—Troxell Law Office, PLLC

(73) Assignee: **Landmark Enterprise Inc.** (BN)

(57) **CLAIM**

(**) Term: **14 Years**

I claim the ornamental design for a combined ceiling fan motor housing and light kit, as shown and described.

(21) Appl. No.: **29/262,945**

(22) Filed: **Jul. 14, 2006**

DESCRIPTION

(51) **LOC (8) Cl.** **23-04**

FIG. 1 is a front perspective view of a combined ceiling fan motor housing and light kit showing my new design;

(52) **U.S. Cl.** **D23/411**

FIG. 2 is a front elevational view thereof;

(58) **Field of Classification Search** D23/411,
D23/413, 377, 379, 385; 416/5; D26/59,
D26/51, 72, 80–86, 73

FIG. 3 is a rear elevational view thereof;

FIG. 4 is a left side elevational view thereof;

See application file for complete search history.

FIG. 5 is a right side elevational view thereof;

FIG. 6 is a top plan view thereof; and,

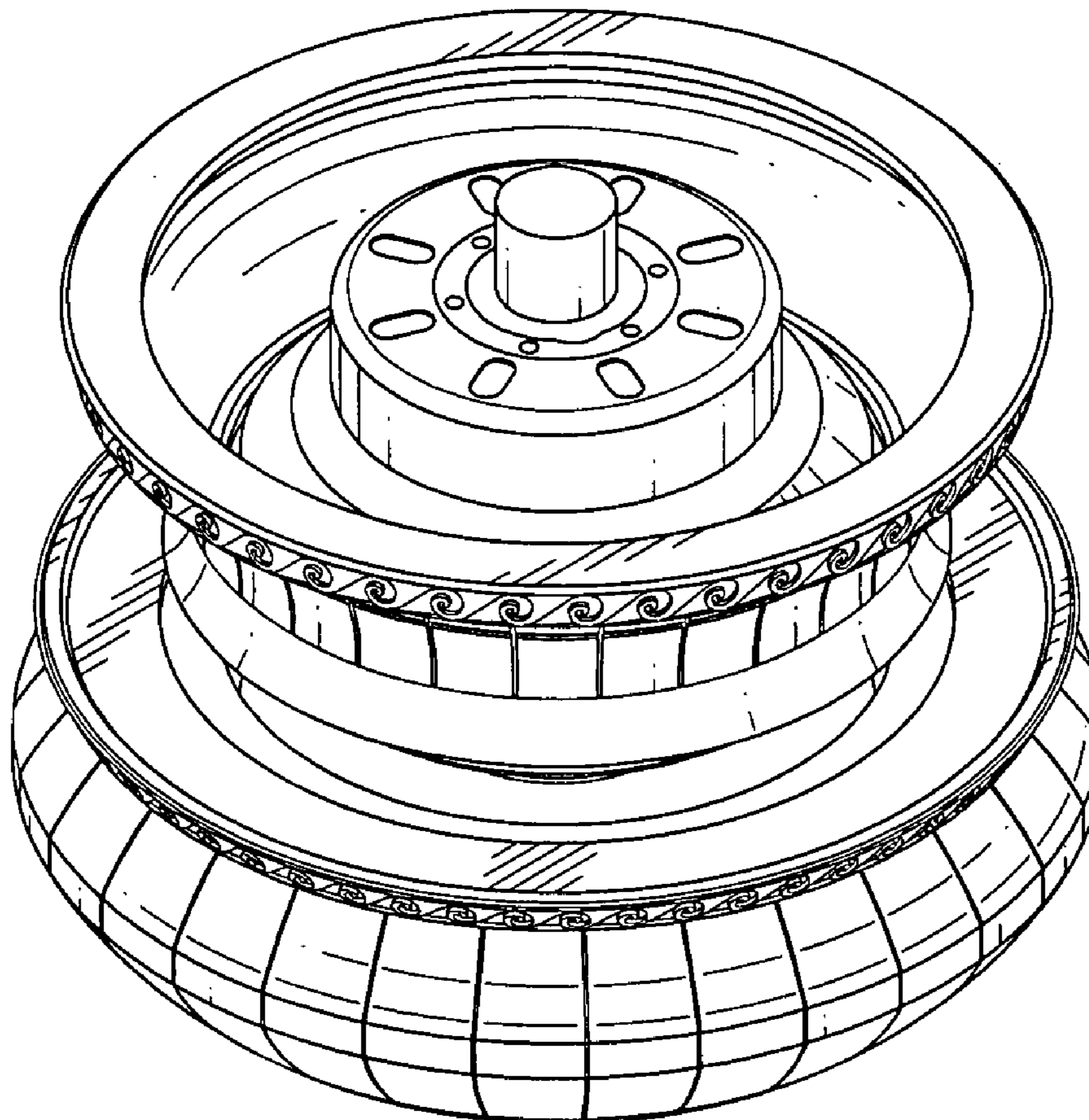
FIG. 7 is a bottom plan view thereof.

(56) **References Cited**

U.S. PATENT DOCUMENTS

D522,645 S * 6/2006 Ertze D23/411

1 Claim, 5 Drawing Sheets



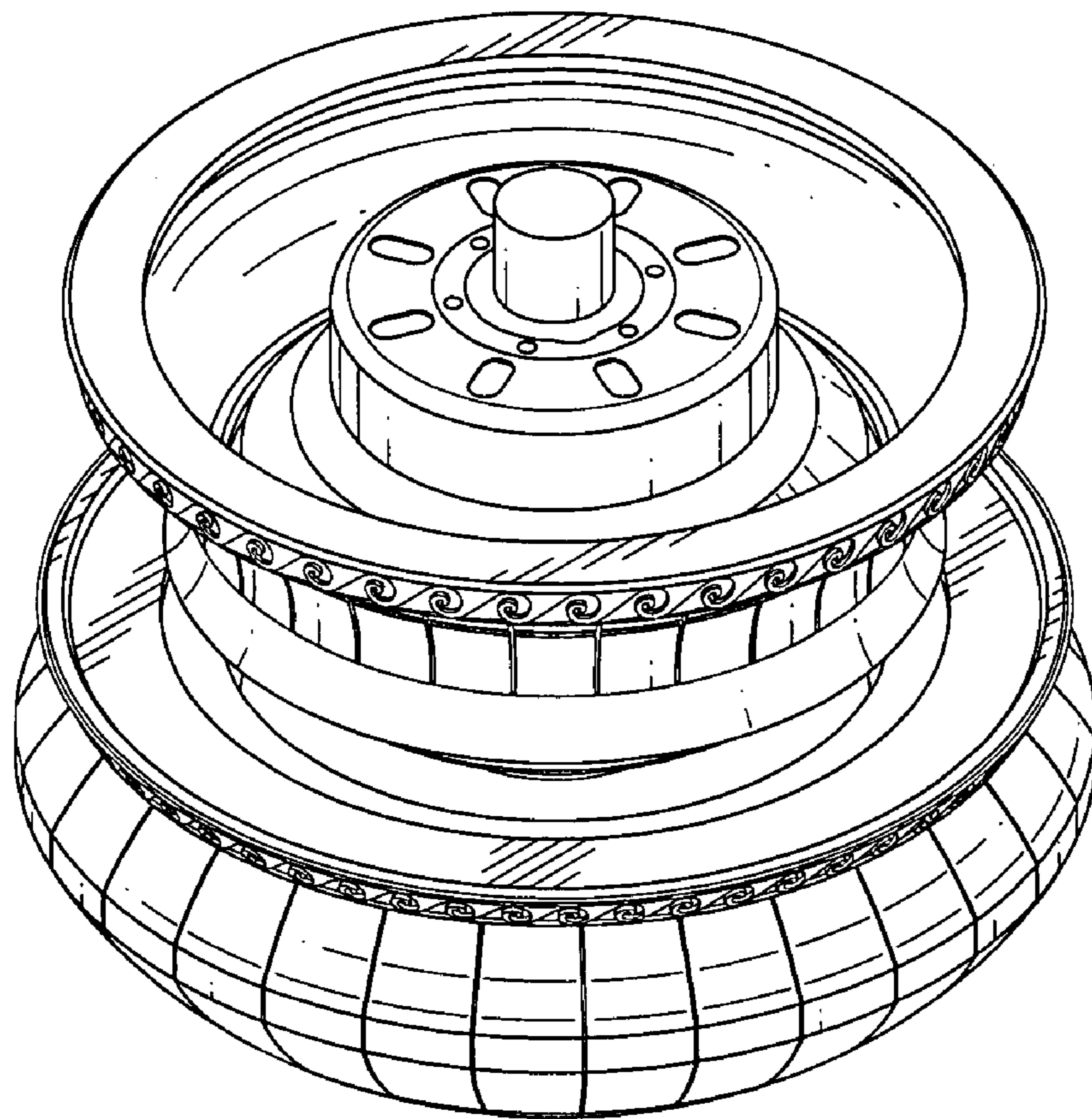


FIG. 1

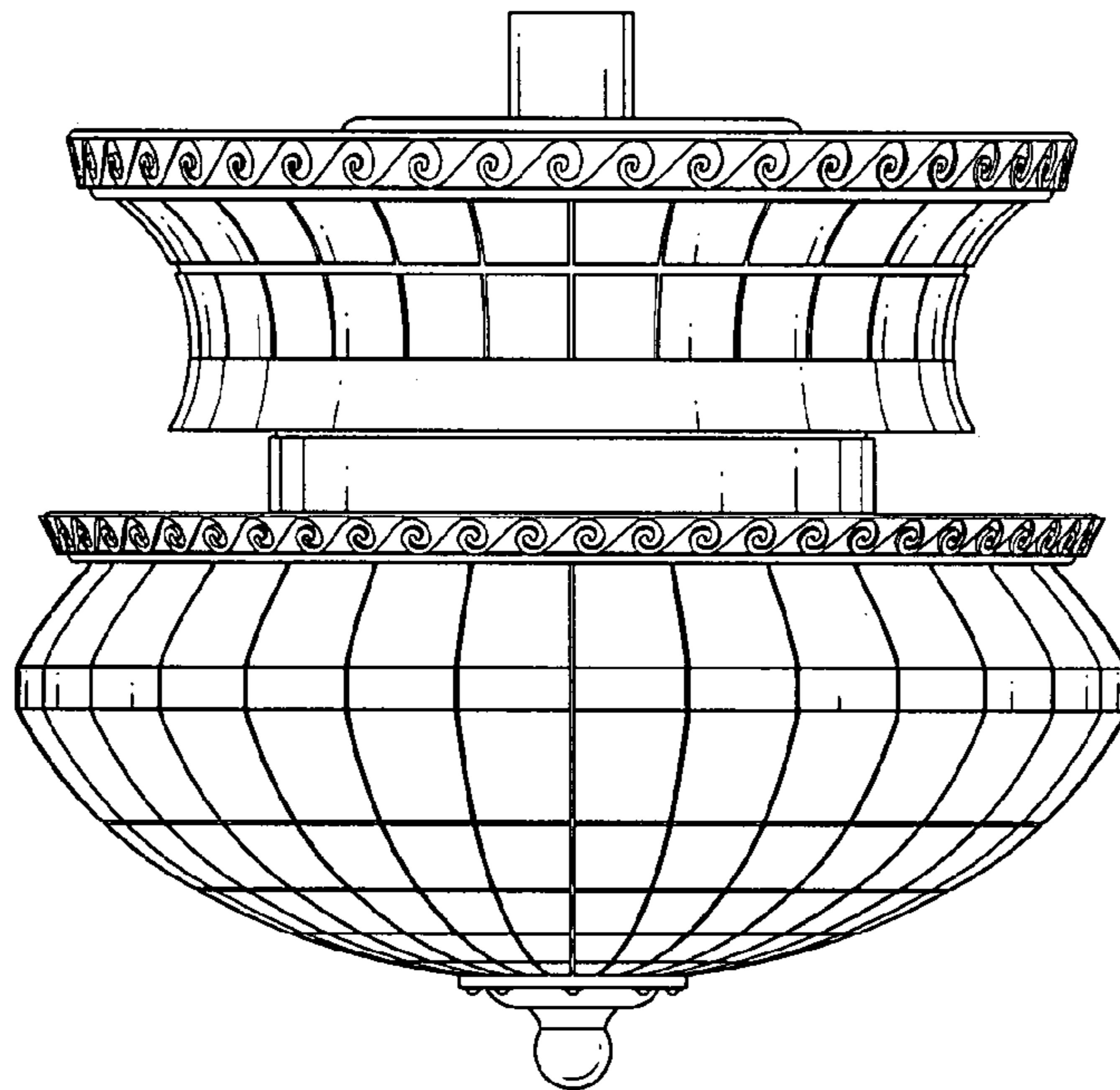


FIG. 2

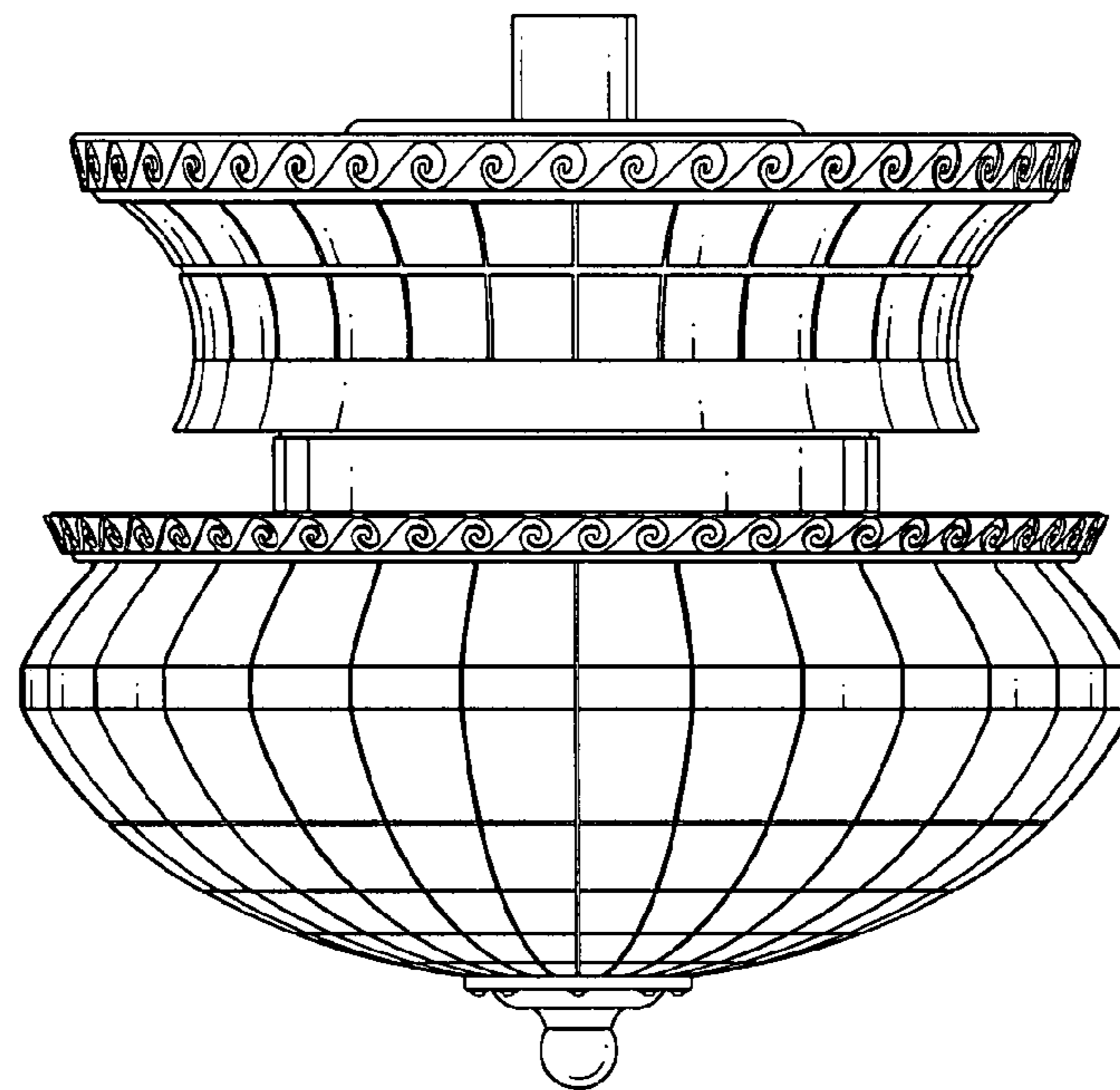


FIG. 3

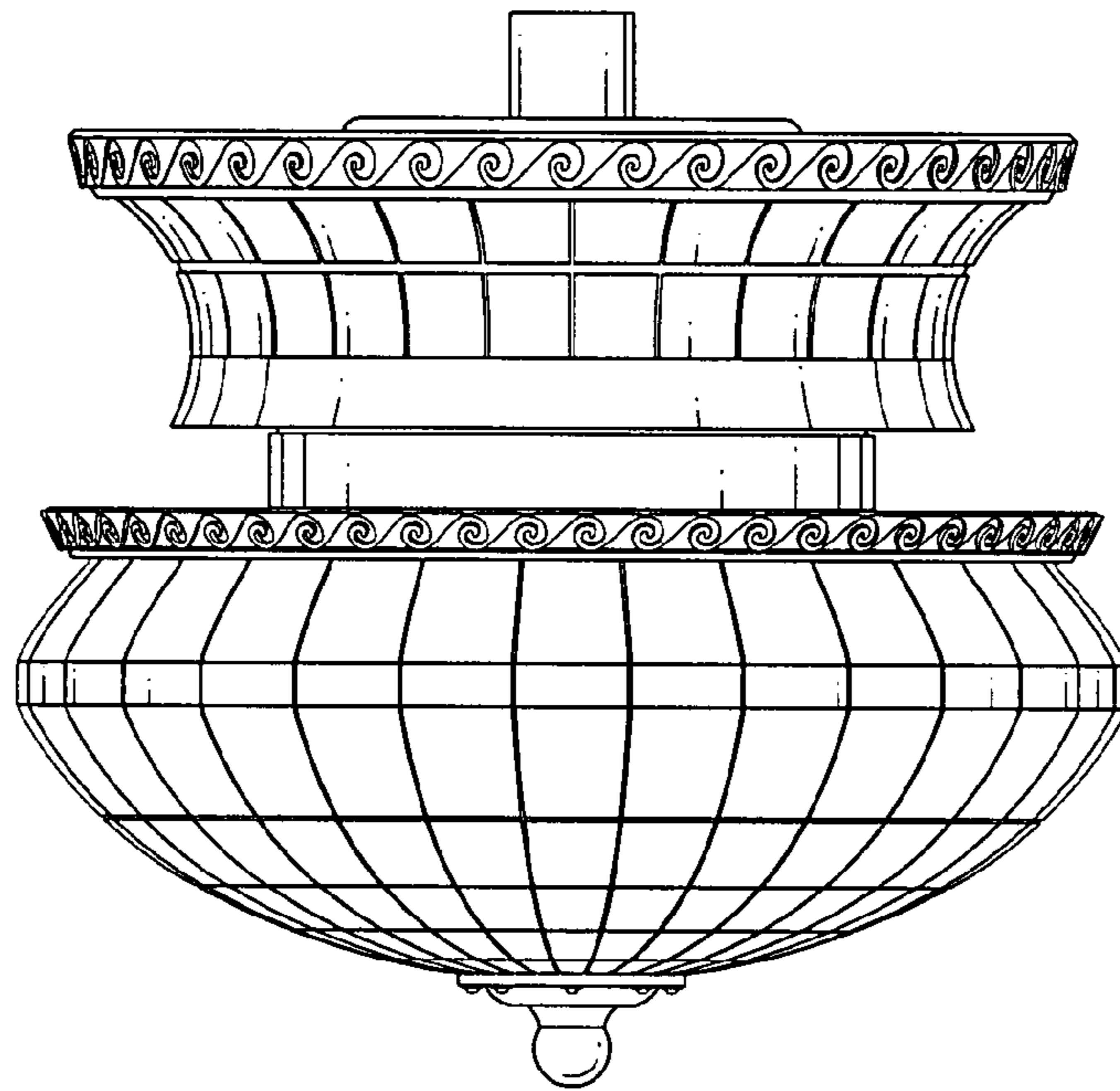


FIG. 4

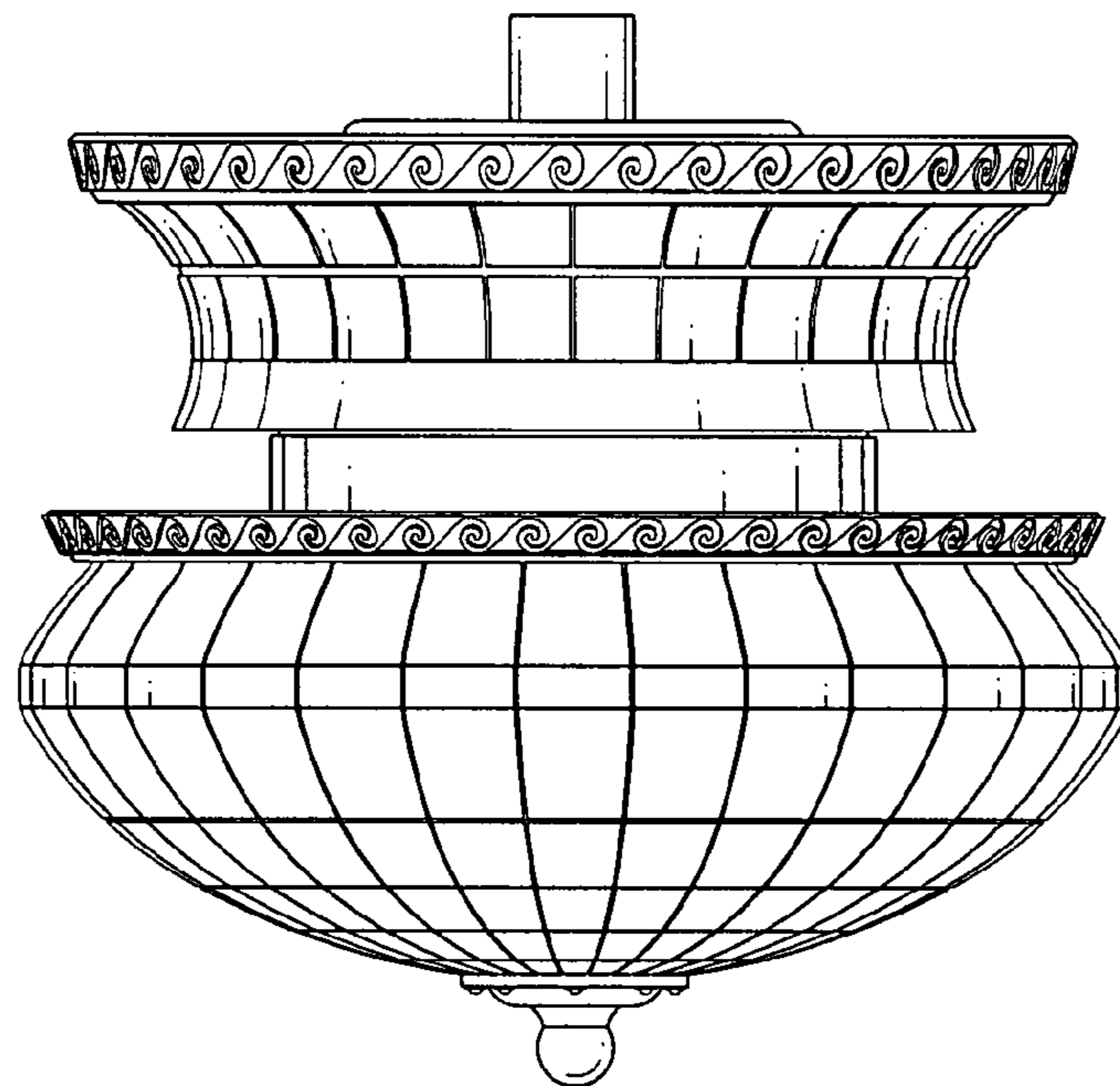


FIG. 5

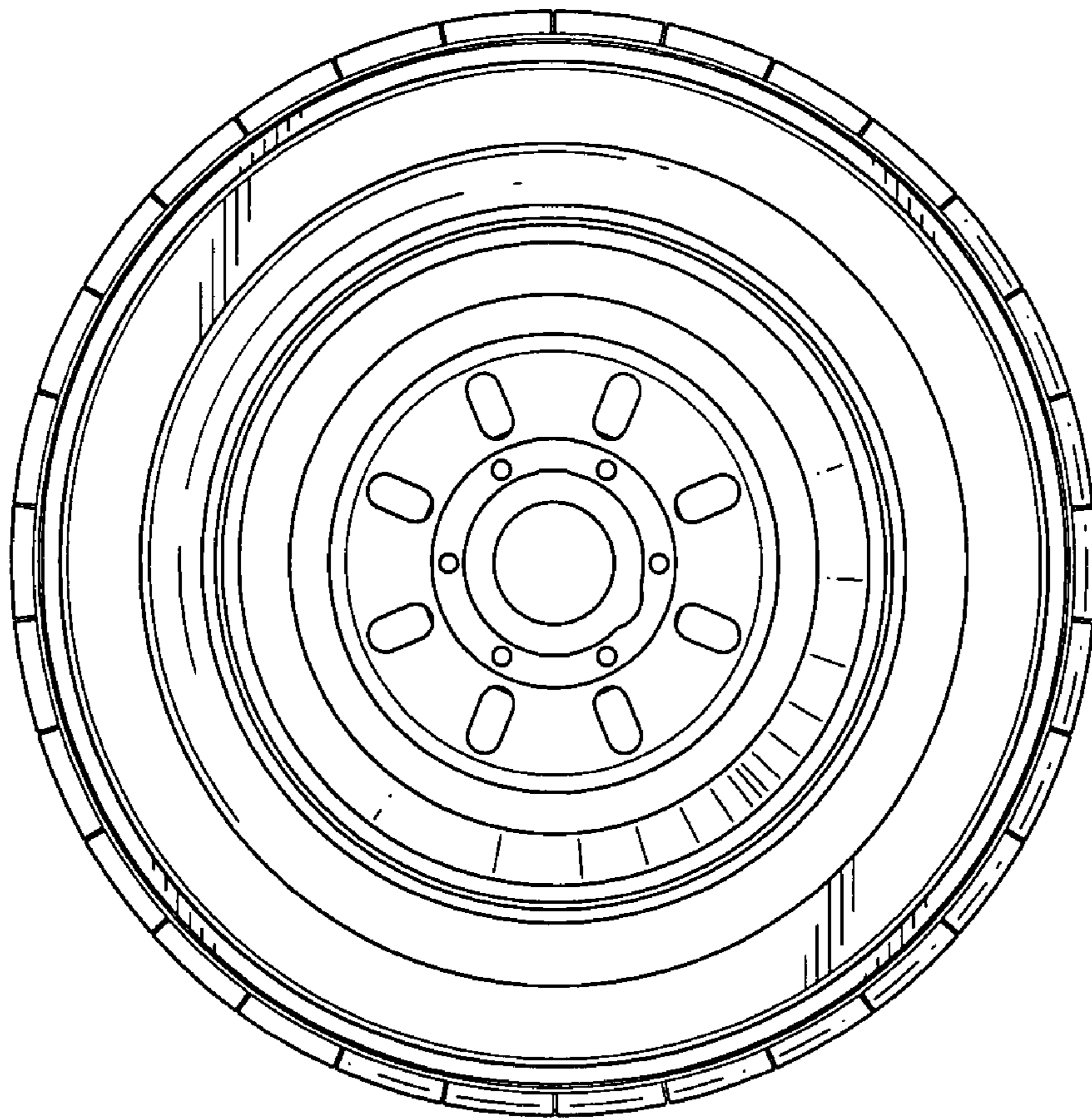


FIG. 6

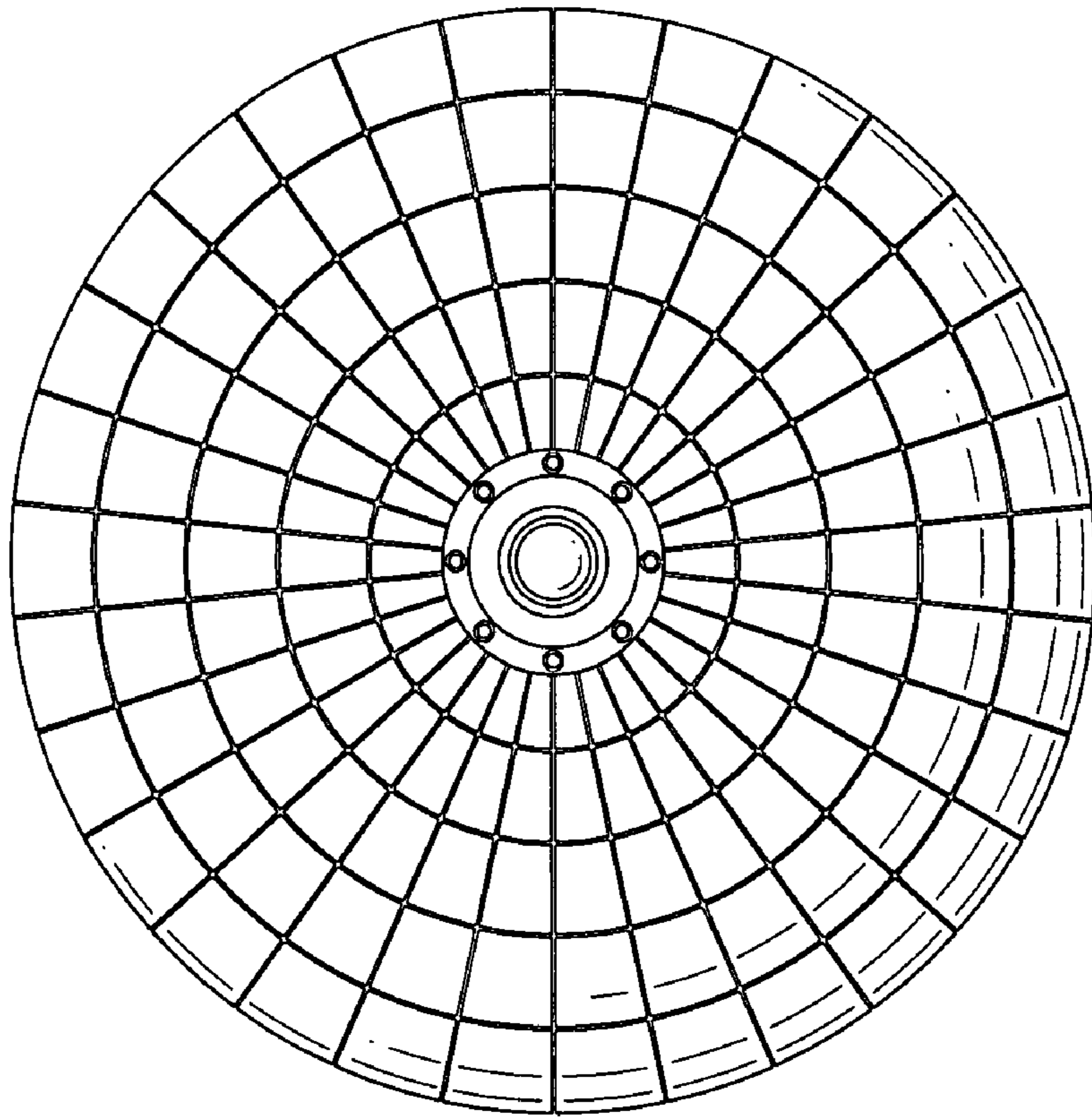


FIG. 7