



US00D550815S

(12) **United States Design Patent**
Grether

(10) **Patent No.:** **US D550,815 S**

(45) **Date of Patent:** **** Sep. 11, 2007**

(54) **FLOW REGULATOR**

(75) Inventor: **Hermann Grether**, Müllheim (DE)

(73) Assignee: **Neoperl GmbH**, Mullheim (DE)

(**) Term: **14 Years**

(21) Appl. No.: **29/261,628**

(22) Filed: **Jun. 15, 2006**

Related U.S. Application Data

(62) Division of application No. 29/235,236, filed on Jul. 29, 2005, now Pat. No. Des. 529,588.

Foreign Application Priority Data

Mar. 21, 2005 (EP) 000330568

(51) **LOC (8) Cl.** **23-01**

(52) **U.S. Cl.** **D23/249**

(58) **Field of Classification Search** D23/233–237,
D23/244–249, 213, 255, 257, 241, 242, 260;
138/40–42, 37; 239/428.5, 552, 553.3, 553.5;
261/DIG. 22

See application file for complete search history.

(56) **References Cited**

U.S. PATENT DOCUMENTS

| | | |
|-------------|---------|---------------|
| 2,793,016 A | 5/1957 | Aghnides |
| 2,797,906 A | 7/1957 | Aghnides |
| 2,849,217 A | 8/1958 | Bachli et al. |
| 3,363,841 A | 1/1968 | Aghnides |
| 4,313,564 A | 2/1982 | Shames et al. |
| 4,971,117 A | 11/1990 | Hendrickson |

| | | | |
|-----------------|---------|-----------------------|--------|
| 5,467,929 A | 11/1995 | Bosio | |
| D428,114 S | 7/2000 | Le Bars | |
| 6,126,093 A | 10/2000 | Grether et al. | |
| 6,152,182 A | 11/2000 | Grether et al. | |
| 6,354,903 B1 * | 3/2002 | Nelson | 445/58 |
| 6,892,964 B2 | 5/2005 | Grether et al. | |
| 6,902,123 B2 | 6/2005 | Grether et al. | |
| D516,182 S | 2/2006 | Buttgen | |
| 7,093,425 B2 * | 8/2006 | Jankowski et al. | 60/284 |
| 2006/0011748 A1 | 1/2006 | Ferrari | |

* cited by examiner

Primary Examiner—Alan P. Douglas

Assistant Examiner—Maurice Stevens

(74) *Attorney, Agent, or Firm*—Volpe and Koenig, P.C.

(57) **CLAIM**

The ornamental design for a flow regulator, as shown and described.

DESCRIPTION

FIG. 1 is a top perspective view of a flow regulator showing my new design;

FIG. 2 is a front elevational view of the flow regulator of FIG. 1;

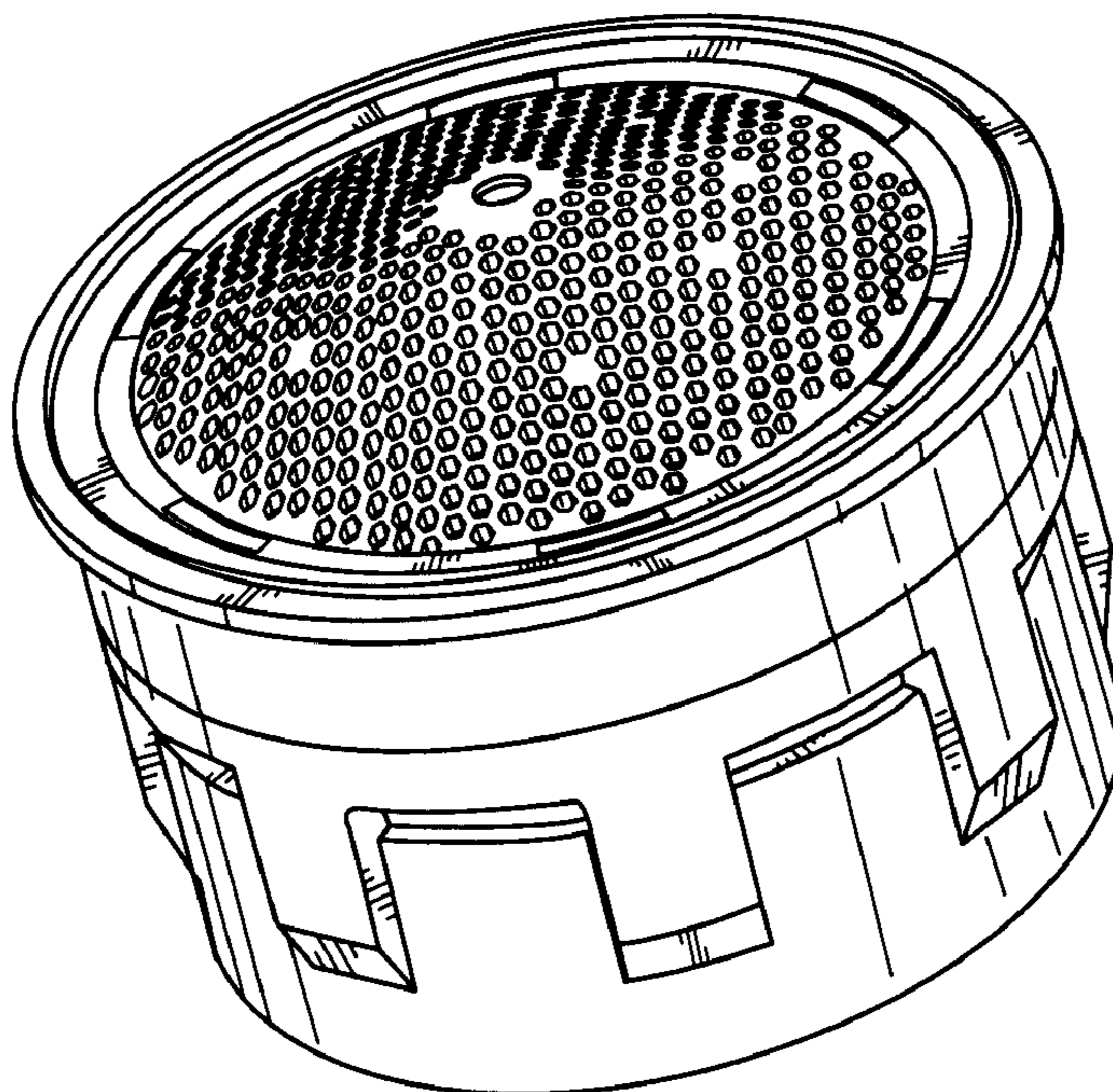
FIG. 3 is a top plan view of the flow regulator of FIG. 1;

FIG. 4 is a side elevational view of the flow regulator of FIG. 1;

FIG. 5 is a back elevational view of the flow regulator of FIG. 1; and,

FIG. 6 is a bottom plan view of the flow regulator of FIG. 1.

1 Claim, 3 Drawing Sheets



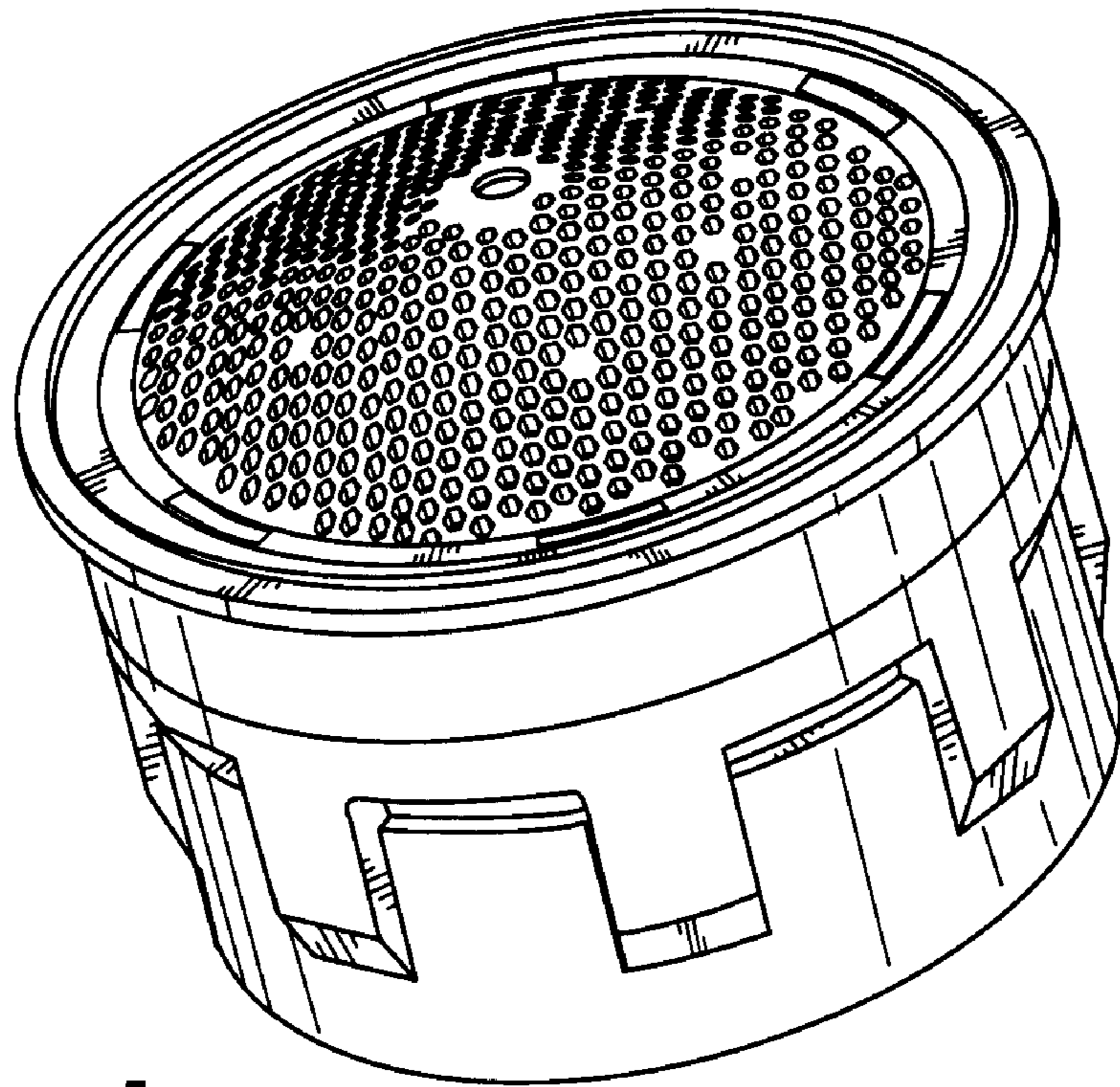


FIG. 1

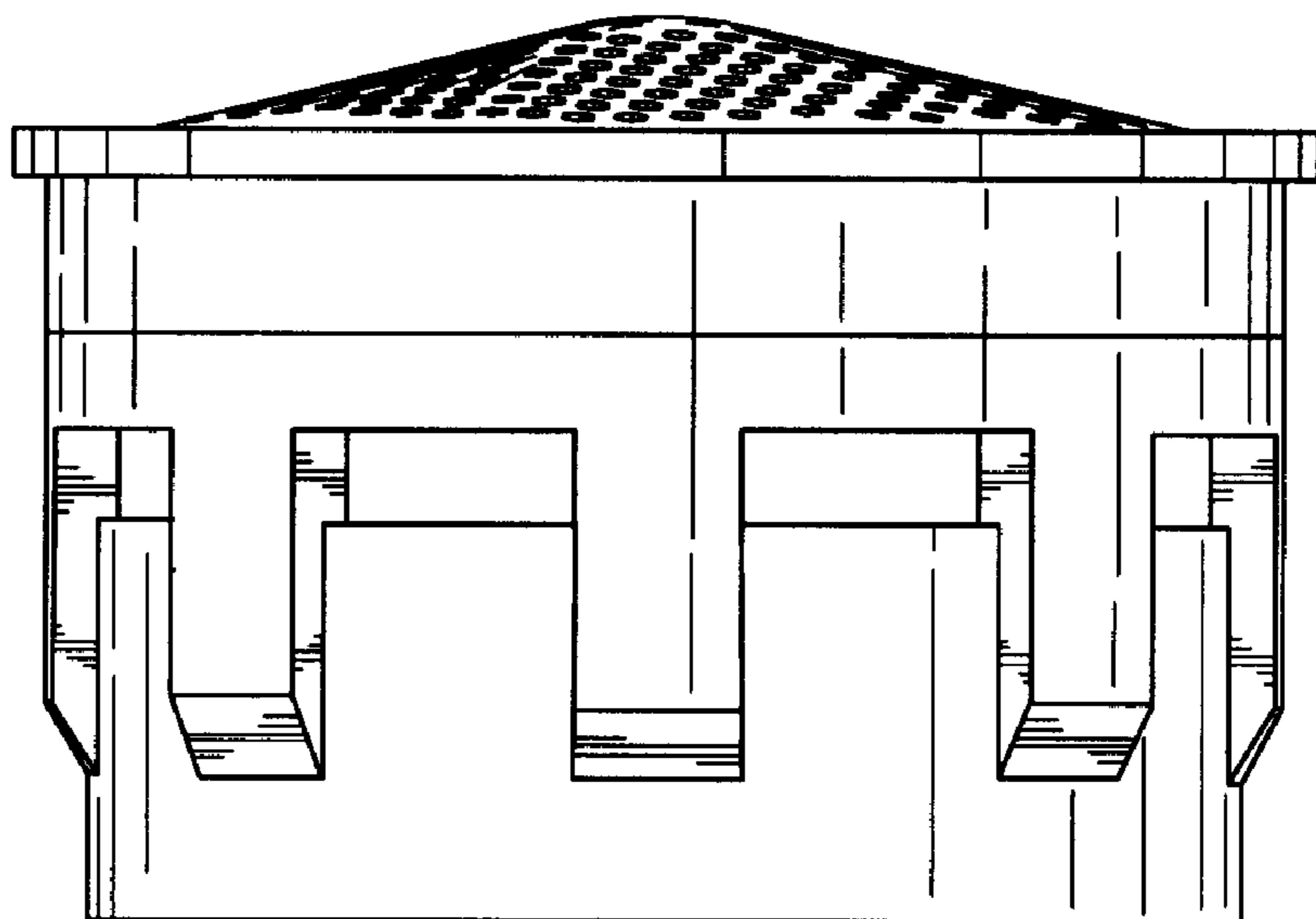


FIG. 2

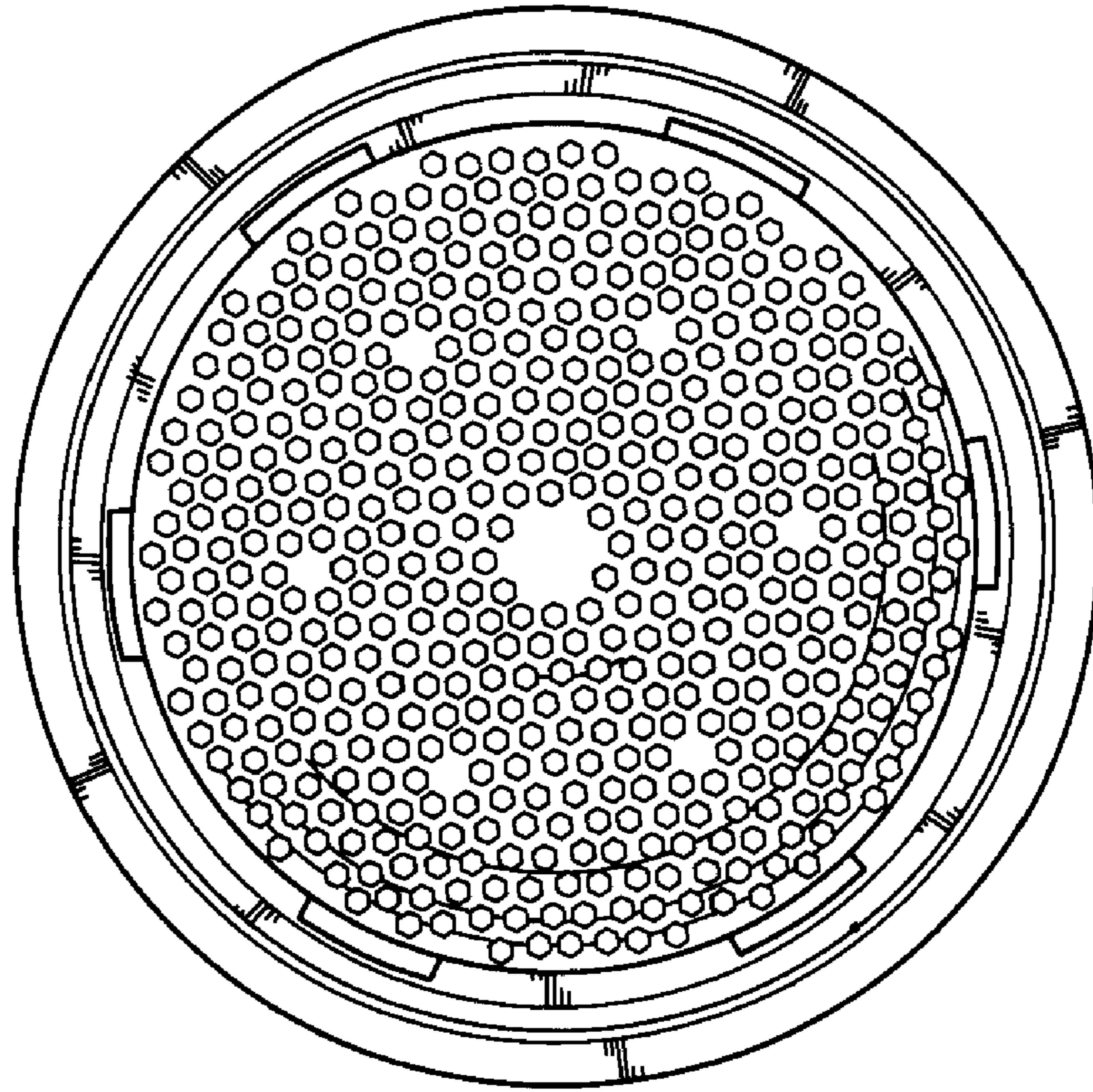


FIG. 3

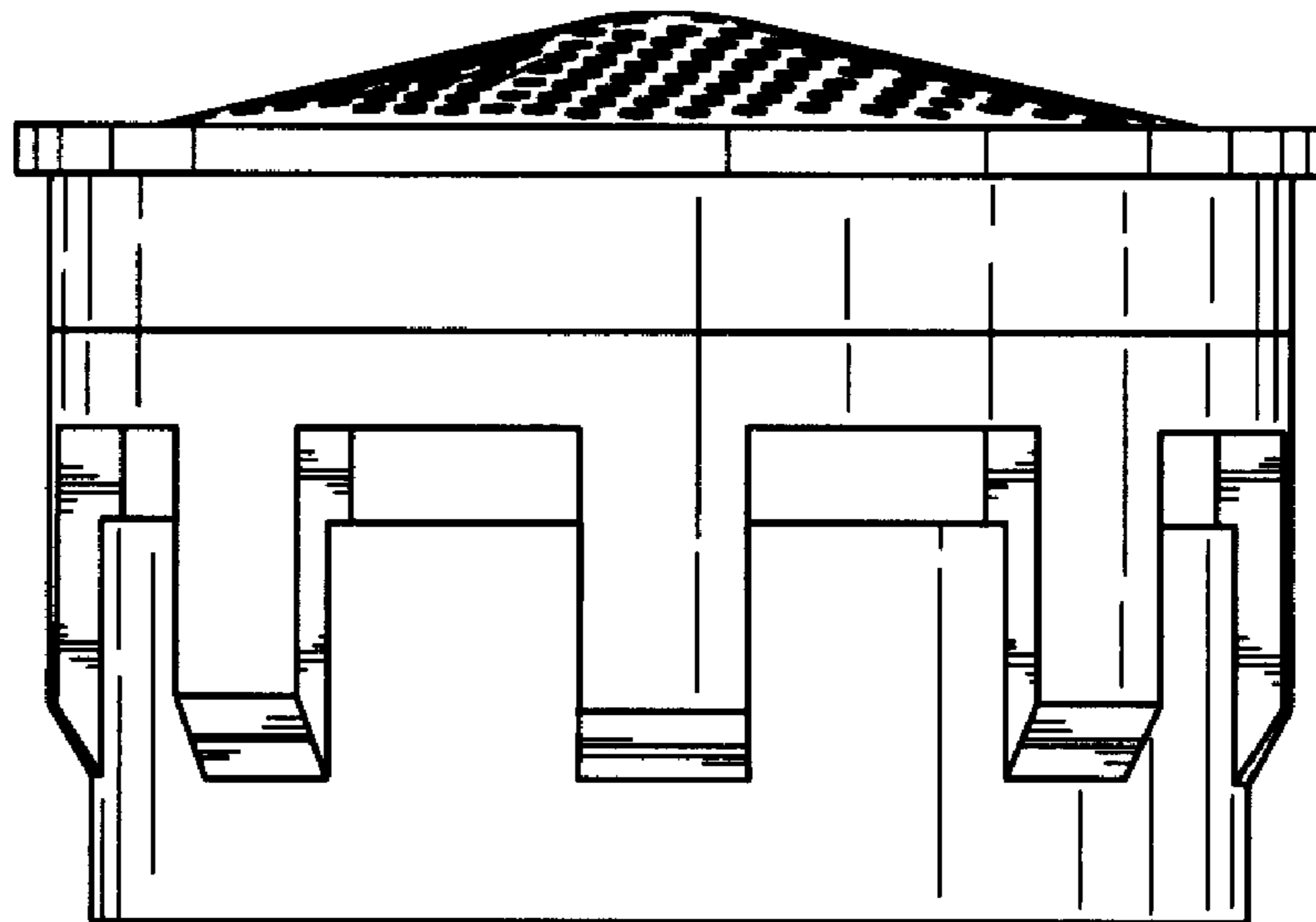


FIG. 4

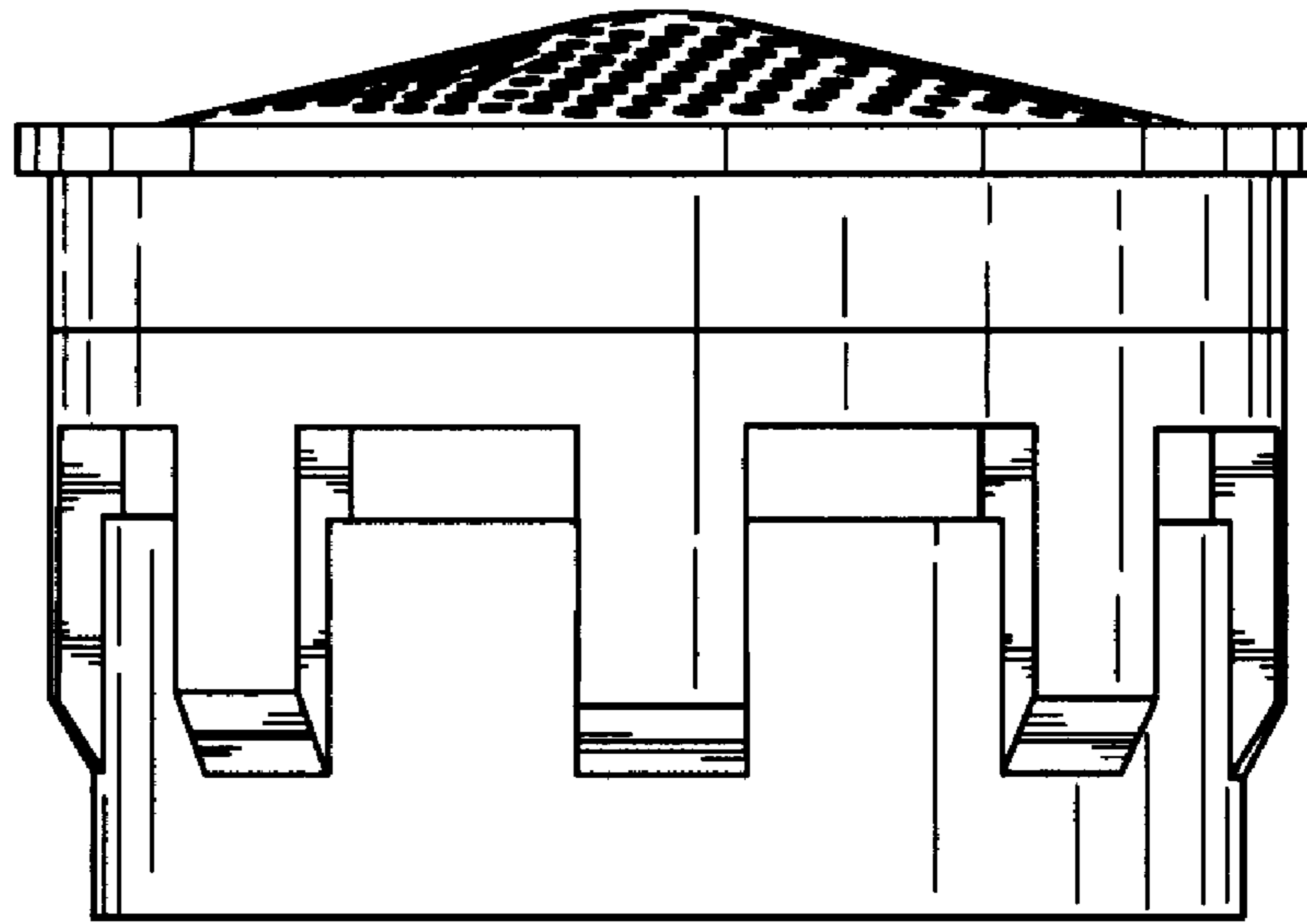


FIG. 5

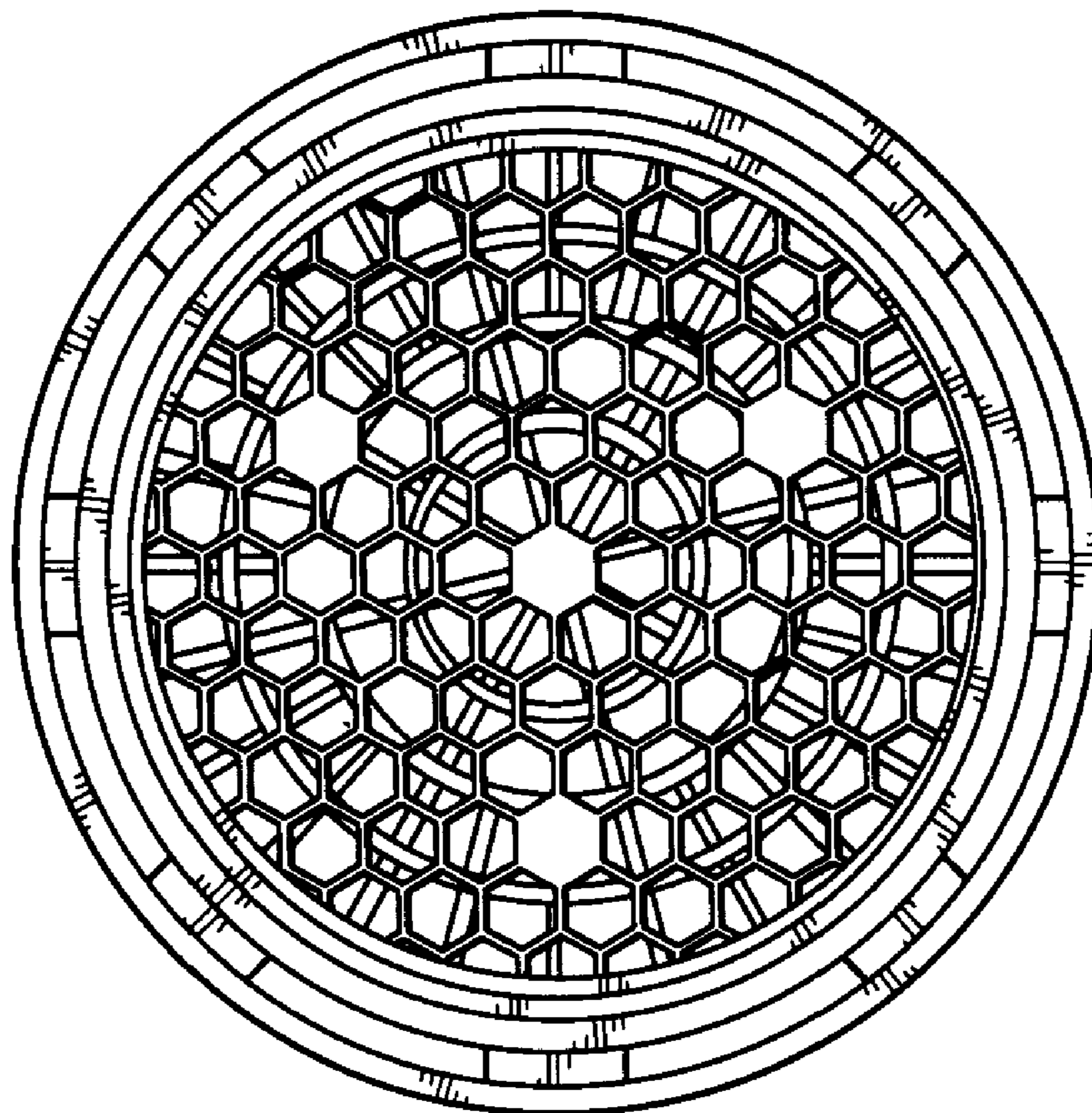


FIG. 6