



US00D550814S

(12) **United States Design Patent**
Grether

(10) **Patent No.:** **US D550,814 S**

(45) **Date of Patent:** **** Sep. 11, 2007**

(54) **FLOW REGULATOR**

(75) Inventor: **Hermann Grether**, Müllheim (DE)

(73) Assignee: **Neoperl GmbH**, Mullheim (DE)

(**) Term: **14 Years**

(21) Appl. No.: **29/261,626**

(22) Filed: **Jun. 15, 2006**

Related U.S. Application Data

(62) Division of application No. 29/235,236, filed on Jul. 29, 2005, now Pat. No. Des. 529,588.

Foreign Application Priority Data

Mar. 21, 2005 (EP) 000330568

(51) **LOC (8) Cl.** **23-01**

(52) **U.S. Cl.** **D23/249**

(58) **Field of Classification Search** D23/233–237,
D23/244–249, 213, 255, 257, 241, 242, 260;
138/40–42, 37; 239/428.5, 552, 553.5, 553.3;
261/DIG. 22

See application file for complete search history.

(56) **References Cited**

U.S. PATENT DOCUMENTS

2,793,016 A	5/1957	Aghnides
2,797,906 A	7/1957	Aghnides
2,849,217 A	8/1958	Bachli et al.
3,363,841 A	1/1968	Aghnides
4,313,564 A	2/1982	Shames et al.
4,971,117 A	11/1990	Hendrickson

5,467,929 A	11/1995	Bosio	
D428,114 S	7/2000	Le Bars	
6,126,093 A	10/2000	Grether et al.	
6,152,182 A	11/2000	Grether et al.	
6,354,903 B1 *	3/2002	Nelson	445/58
6,892,964 B2	5/2005	Grether et al.	
6,902,123 B2	6/2005	Grether et al.	
D516,182 S	2/2006	Buttgen	
7,093,425 B2 *	8/2006	Jankowski et al.	60/284
2006/0011748 A1	1/2006	Ferrari	

* cited by examiner

Primary Examiner—Alan P. Douglas

Assistant Examiner—Maurice Stevens

(74) *Attorney, Agent, or Firm*—Volpe and Koenig, P.C.

(57) **CLAIM**

The ornamental design for a flow regulator, as shown and described.

DESCRIPTION

FIG. 1 is a top perspective view of a flow regulator showing my new design;

FIG. 2 is a front elevational view of the flow regulator of FIG. 1;

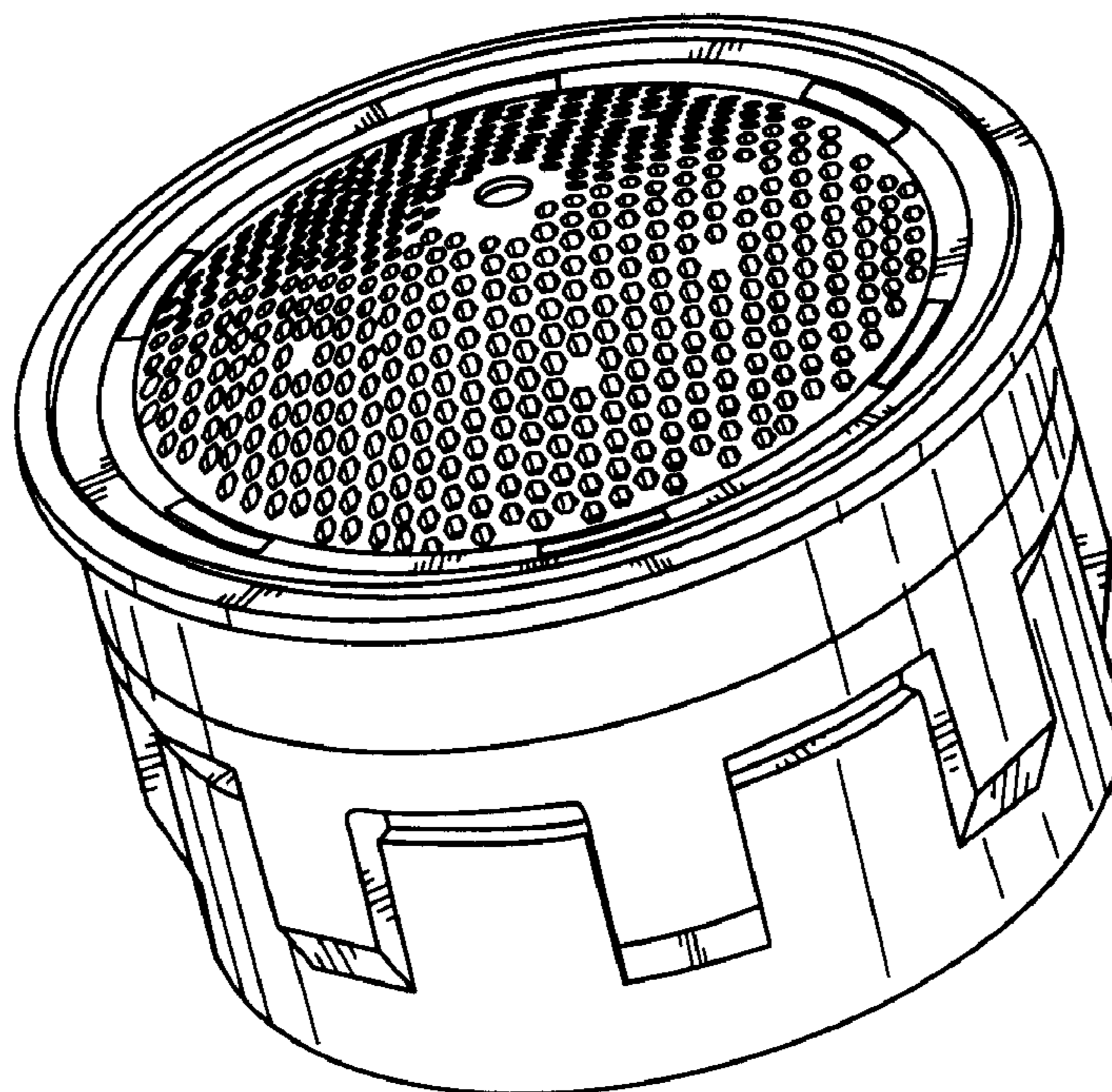
FIG. 3 is a top plan view of the flow regulator of FIG. 1;

FIG. 4 is a side elevational view of the flow regulator of FIG. 1;

FIG. 5 is a back elevational view of the flow regulator of FIG. 1; and,

FIG. 6 is a bottom plan view of the flow regulator of FIG. 1.

1 Claim, 3 Drawing Sheets



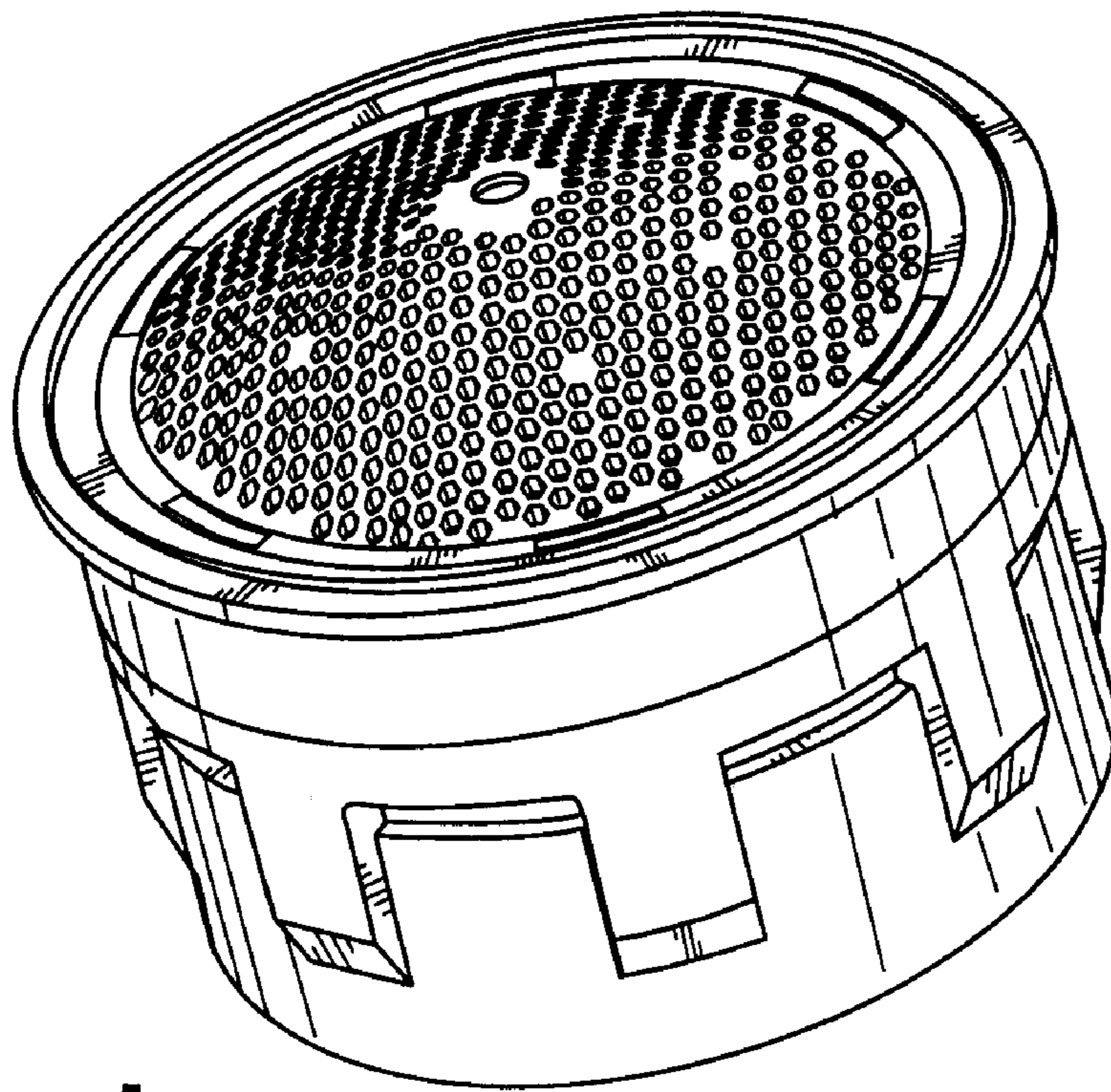


FIG. 1

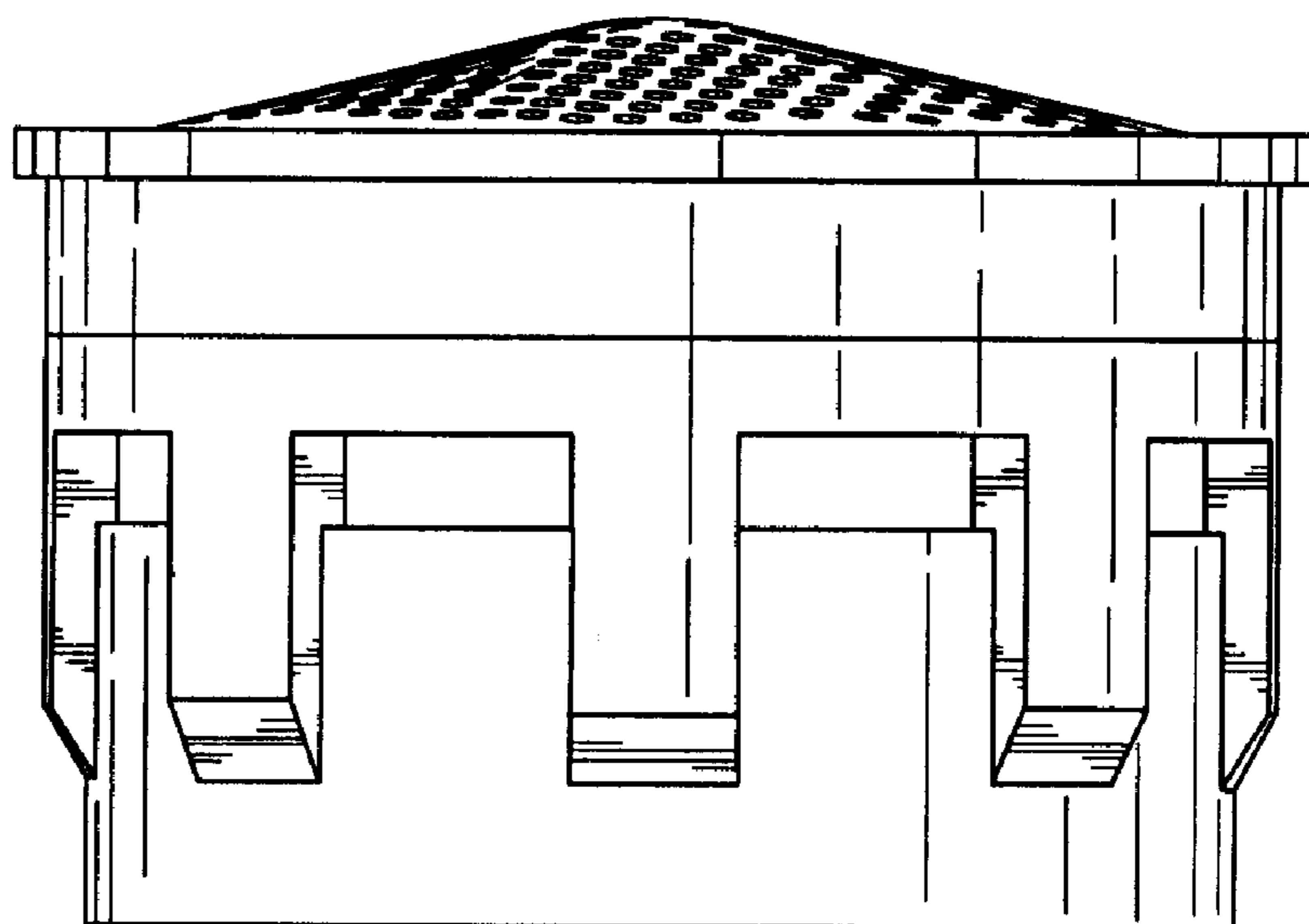


FIG. 2

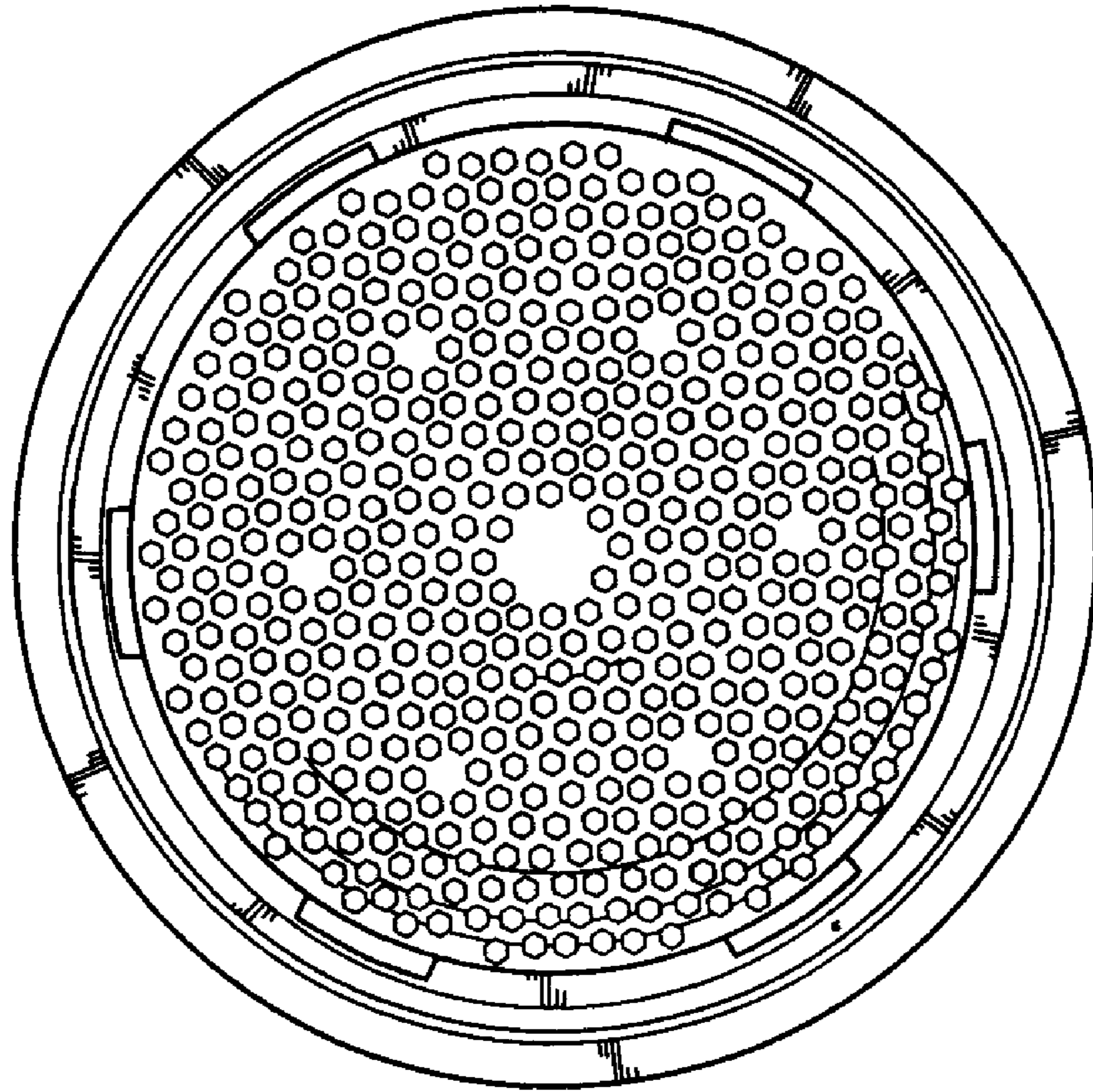


FIG. 3

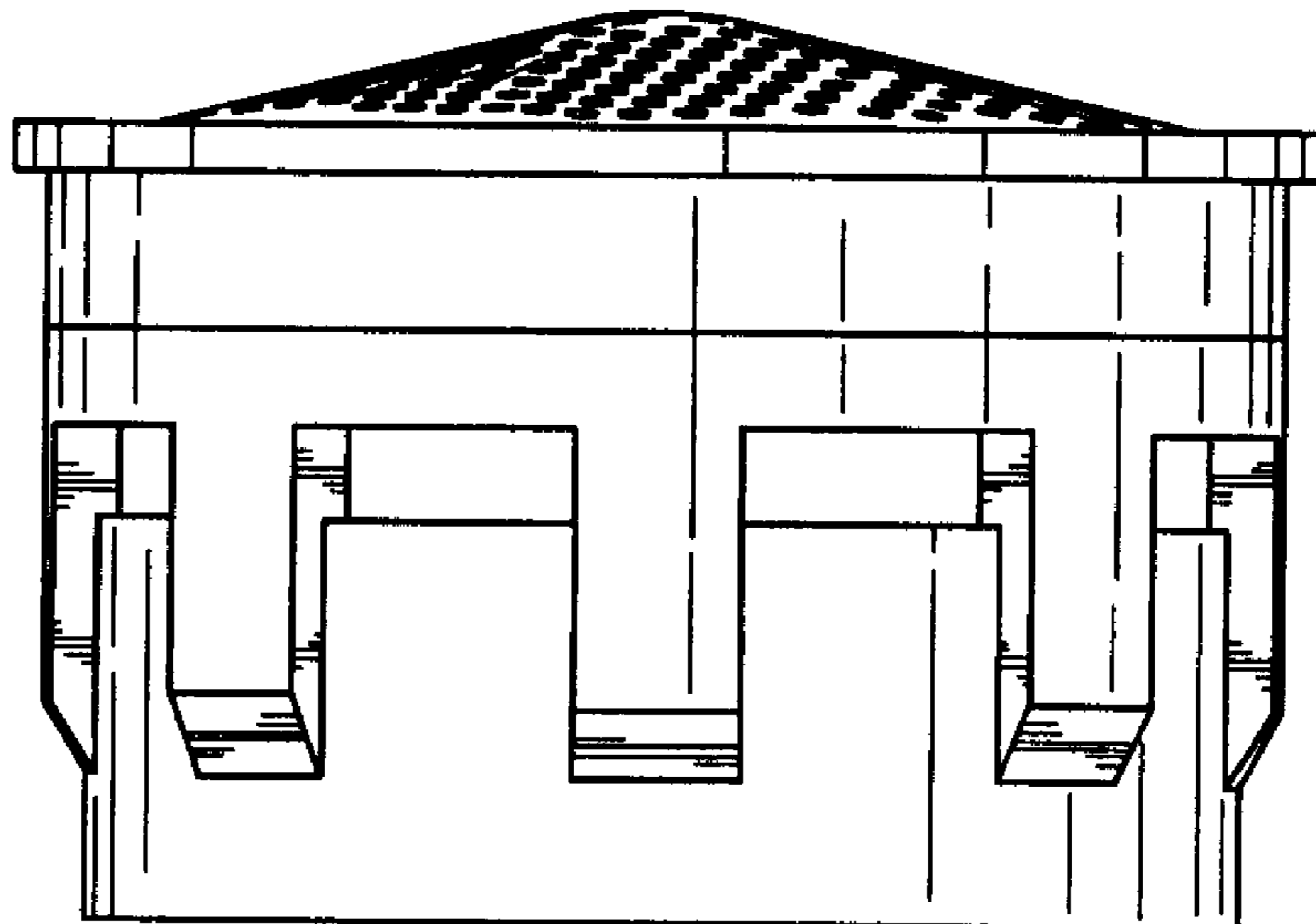


FIG. 4

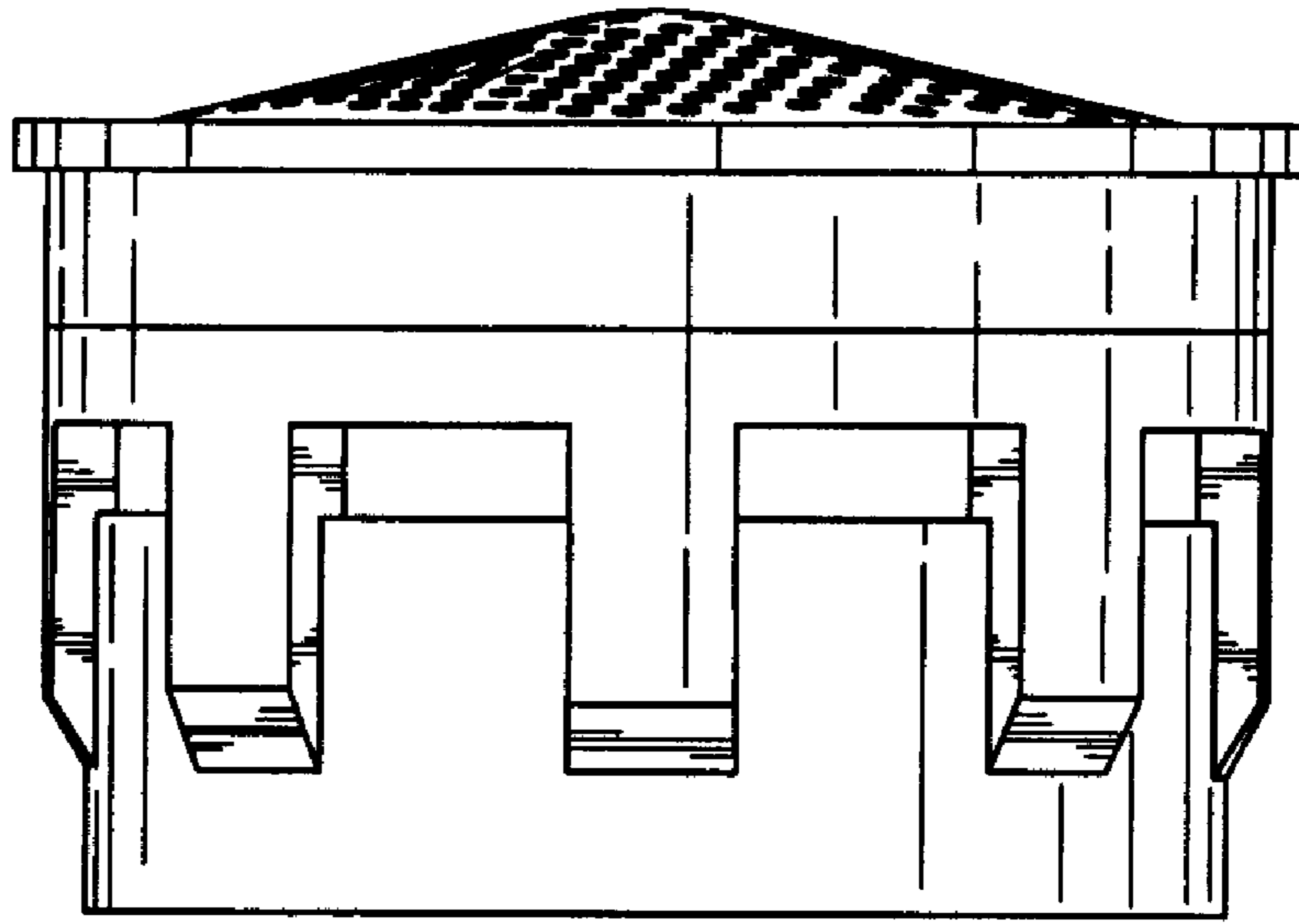


FIG. 5

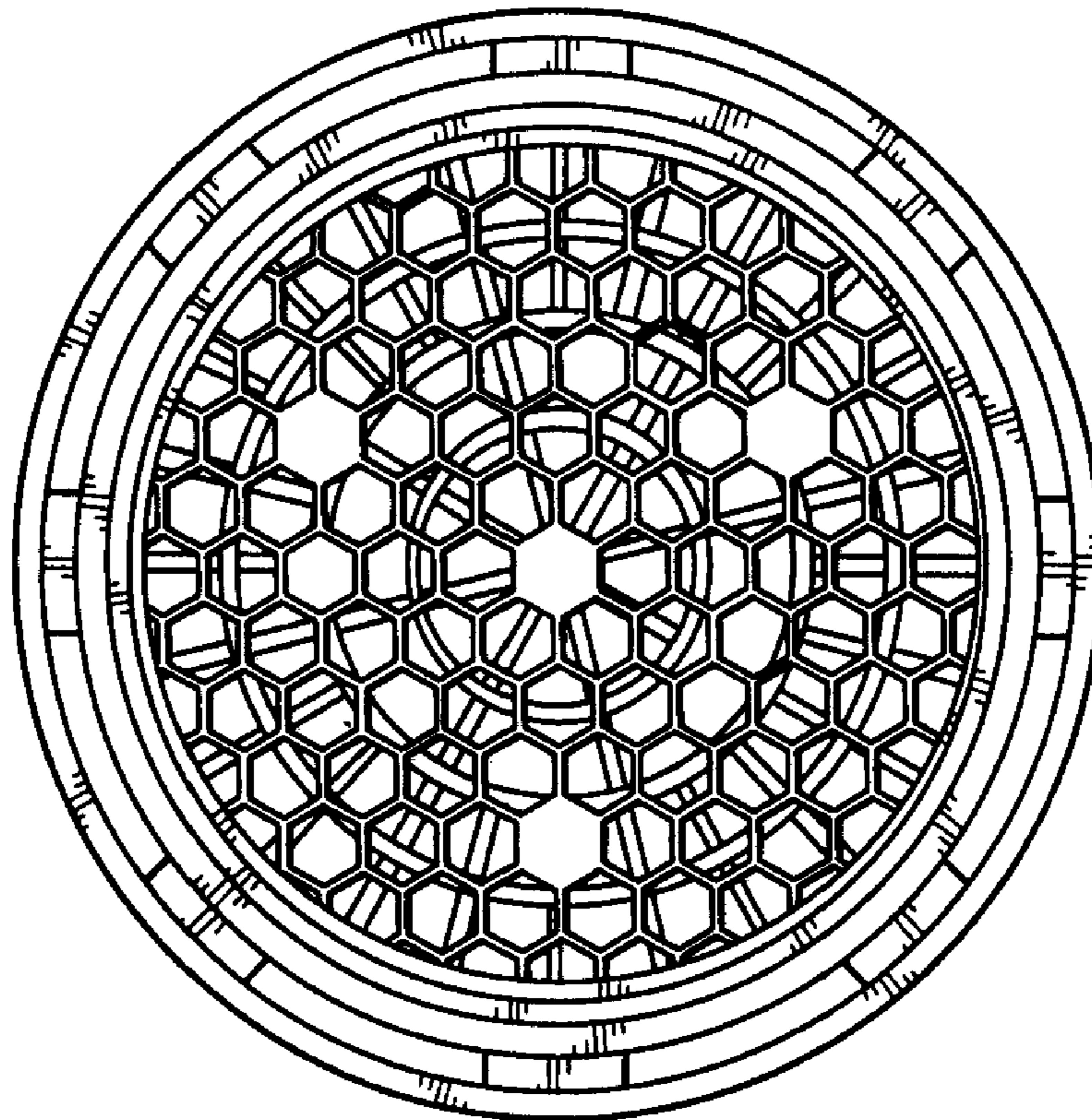


FIG. 6