



US00D550812S

(12) **United States Design Patent**
Haug et al.

(10) **Patent No.:** **US D550,812 S**

(45) **Date of Patent:** **** Sep. 11, 2007**

(54) **FAUCET**

(75) Inventors: **Andreas Haug**, Stuttgart (DE); **Tom Schönherr**, Stuttgart (DE); **Andreas Dimitriadis**, Lorch (DE); **Fabian Kollmann**, Stuttgart (DE)

(73) Assignee: **Hansgrohe AG** (DE)

(**) Term: **14 Years**

(21) Appl. No.: **29/247,180**

(22) Filed: **Jun. 5, 2006**

(30) **Foreign Application Priority Data**

Dec. 7, 2005 (EP) 000444153-0001

(51) **LOC (8) Cl.** **23-01**

(52) **U.S. Cl.** **D23/238**

(58) **Field of Classification Search** D23/238-257;
4/675-678; 137/801

See application file for complete search history.

(56) **References Cited**

U.S. PATENT DOCUMENTS

D325,424 S * 4/1992 Dannenberg D23/238
D325,771 S * 4/1992 Di Maggio D23/238
D355,706 S * 2/1995 Chretien D23/238

D486,560 S * 2/2004 Spangler D23/255
D527,794 S * 9/2006 Sieger D23/238
D529,132 S * 9/2006 Haug et al. D23/238
D534,619 S * 1/2007 Garner D23/238
D538,894 S * 3/2007 Hoernig D23/241

* cited by examiner

Primary Examiner—Stella M. Reid

Assistant Examiner—G. Andoll

(74) *Attorney, Agent, or Firm*—Leon E. Redman; Lloyd D. Doigan

(57) **CLAIM**

The ornamental design for a faucet, as shown and described.

DESCRIPTION

FIG. 1 is a front perspective view of a faucet showing our design;

FIG. 2 is a top plan view thereof;

FIG. 3 is a left side elevational view thereof;

FIG. 4 is a bottom plan view thereof;

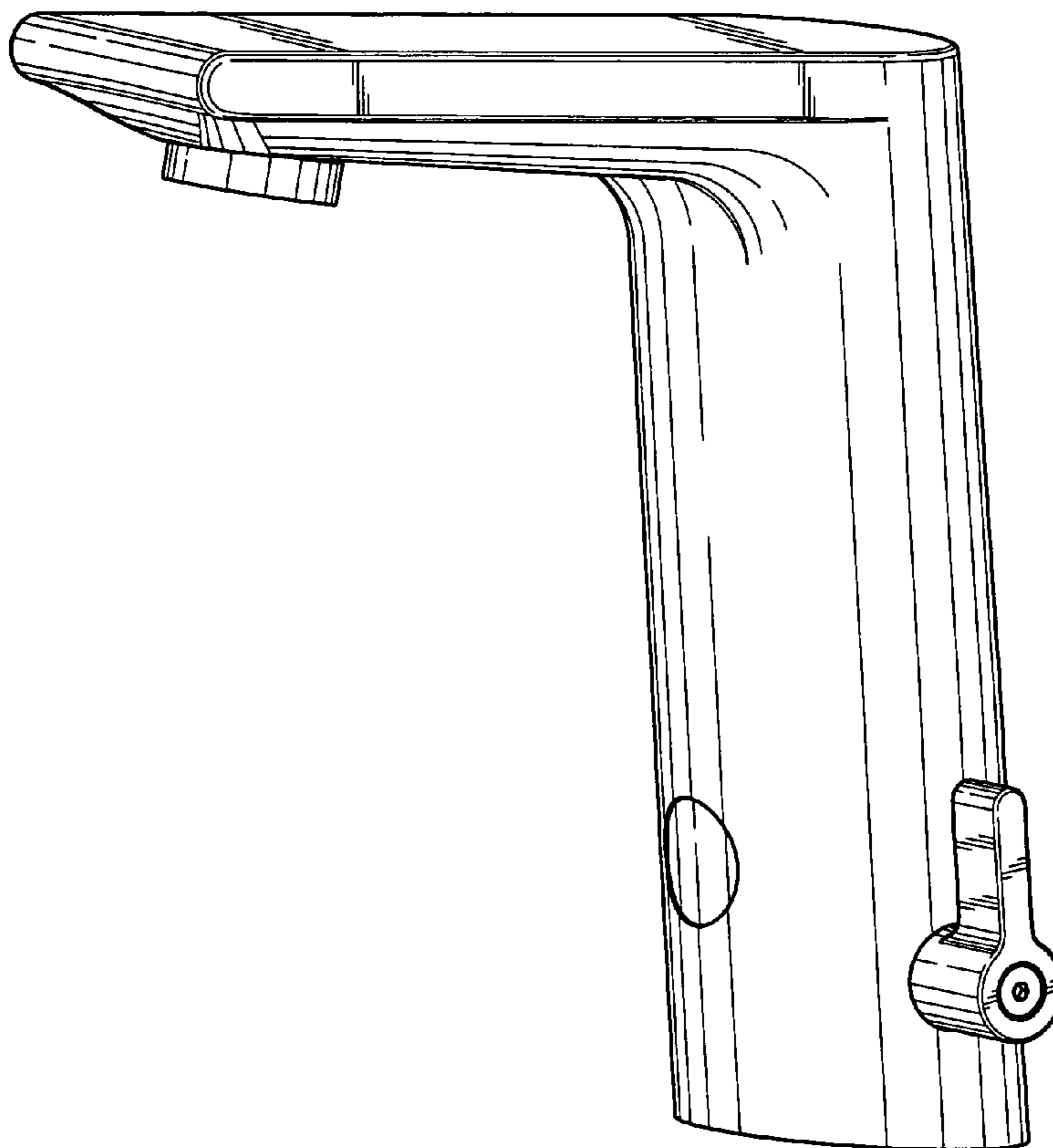
FIG. 5 is a right side elevational view thereof;

FIG. 6 is a front elevational view thereof;

FIG. 7 is a rear elevational view thereof; and,

FIG. 8 is a bottom perspective view thereof.

1 Claim, 5 Drawing Sheets



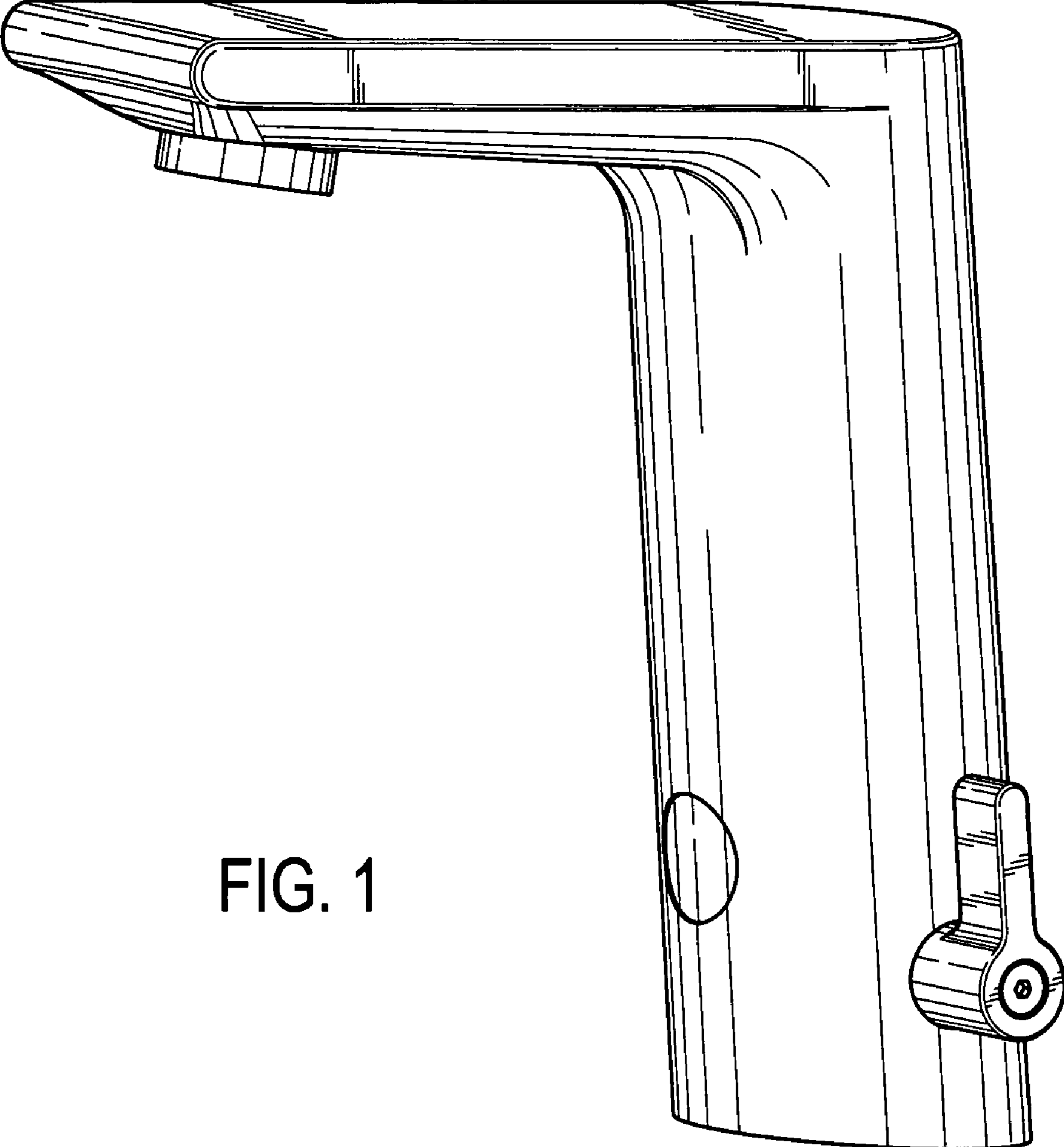


FIG. 1

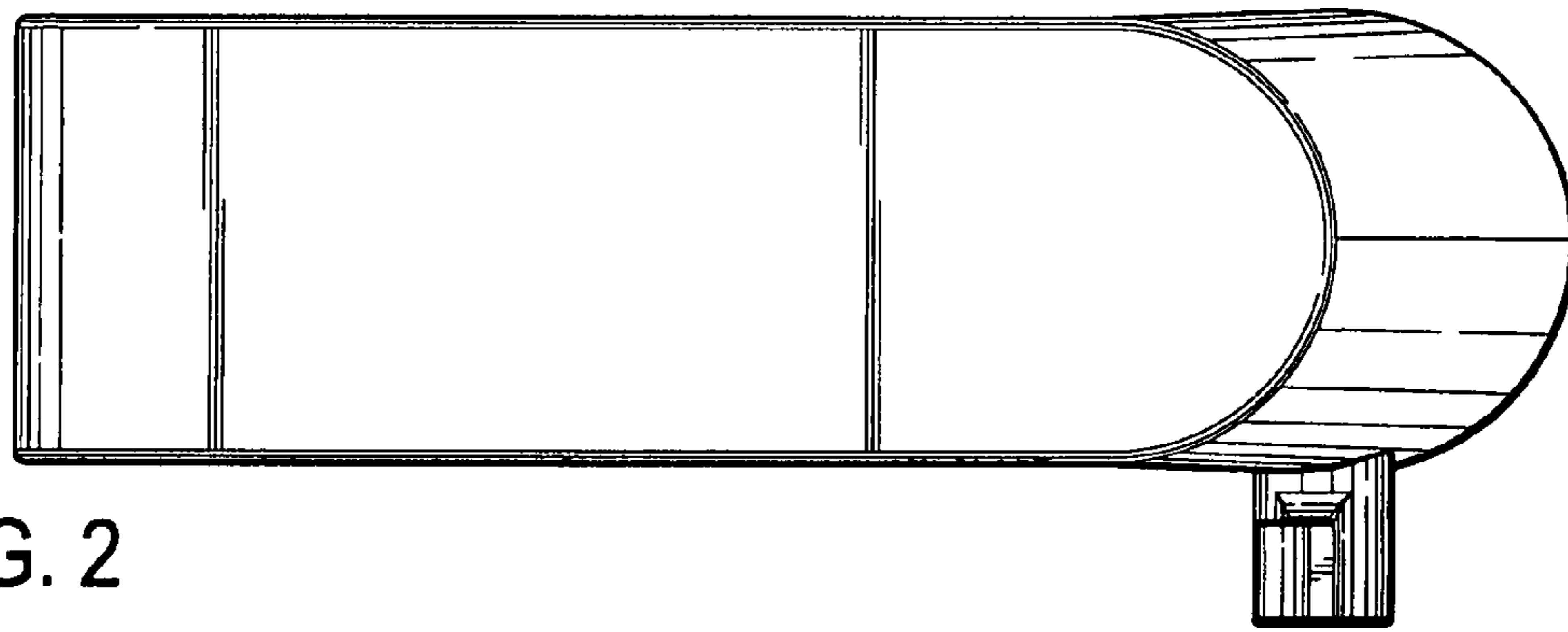


FIG. 2

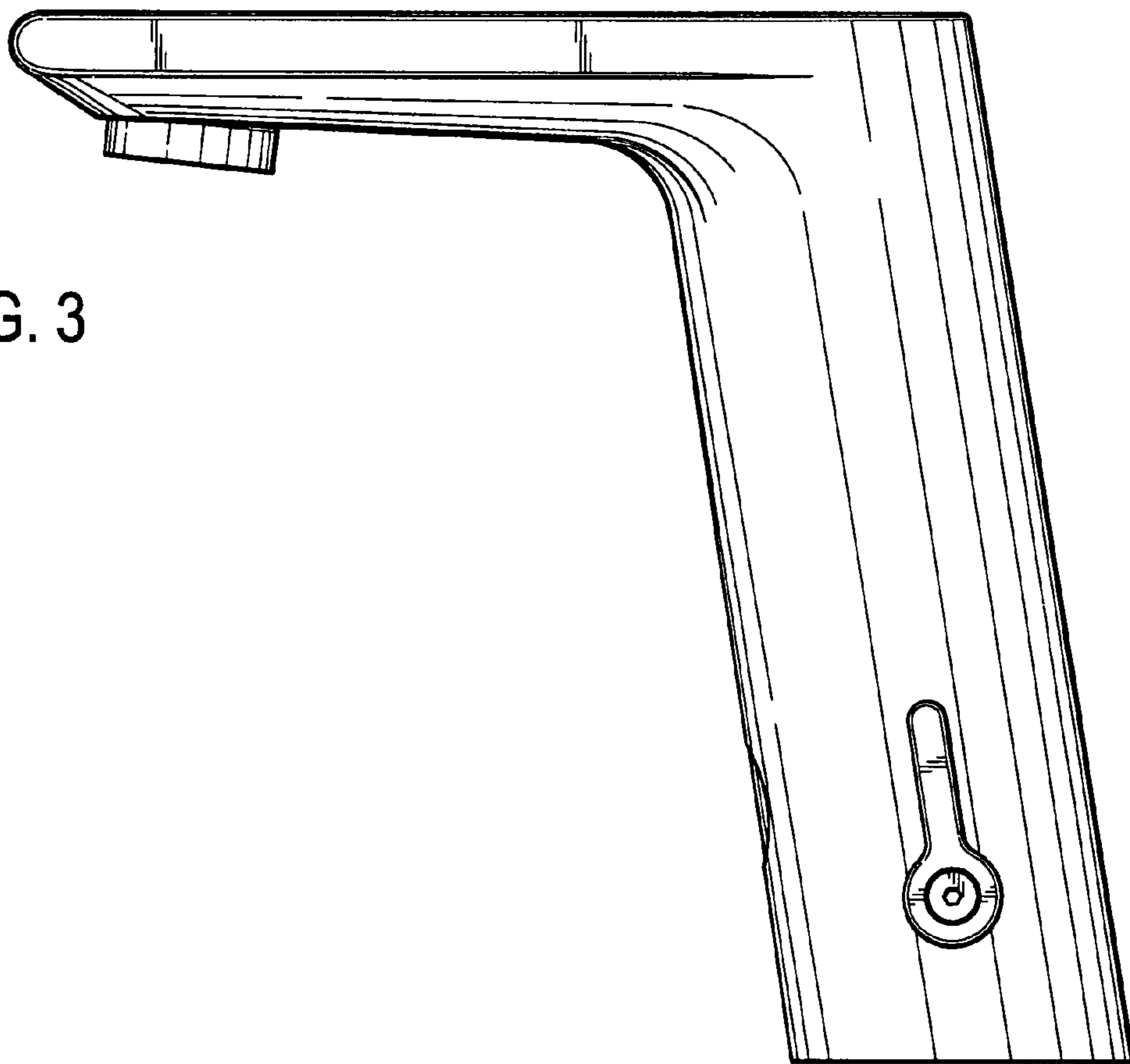


FIG. 3

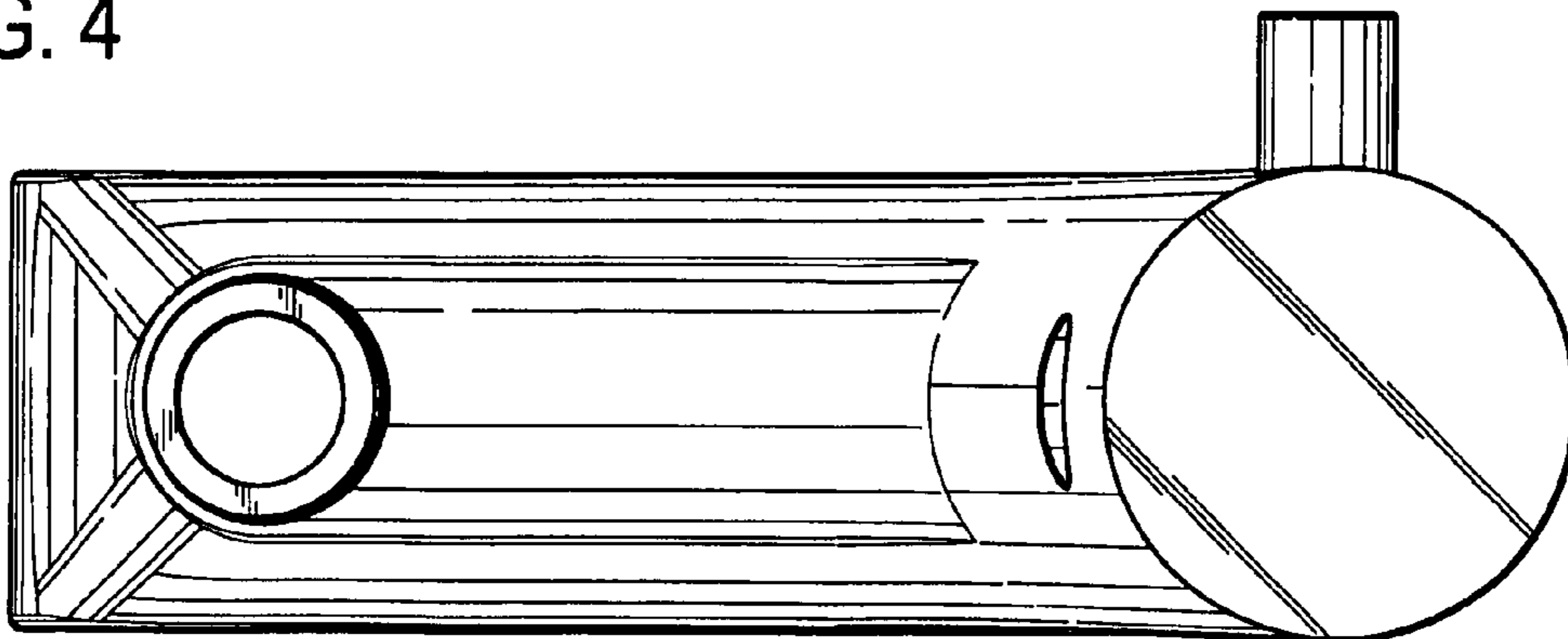


FIG. 4

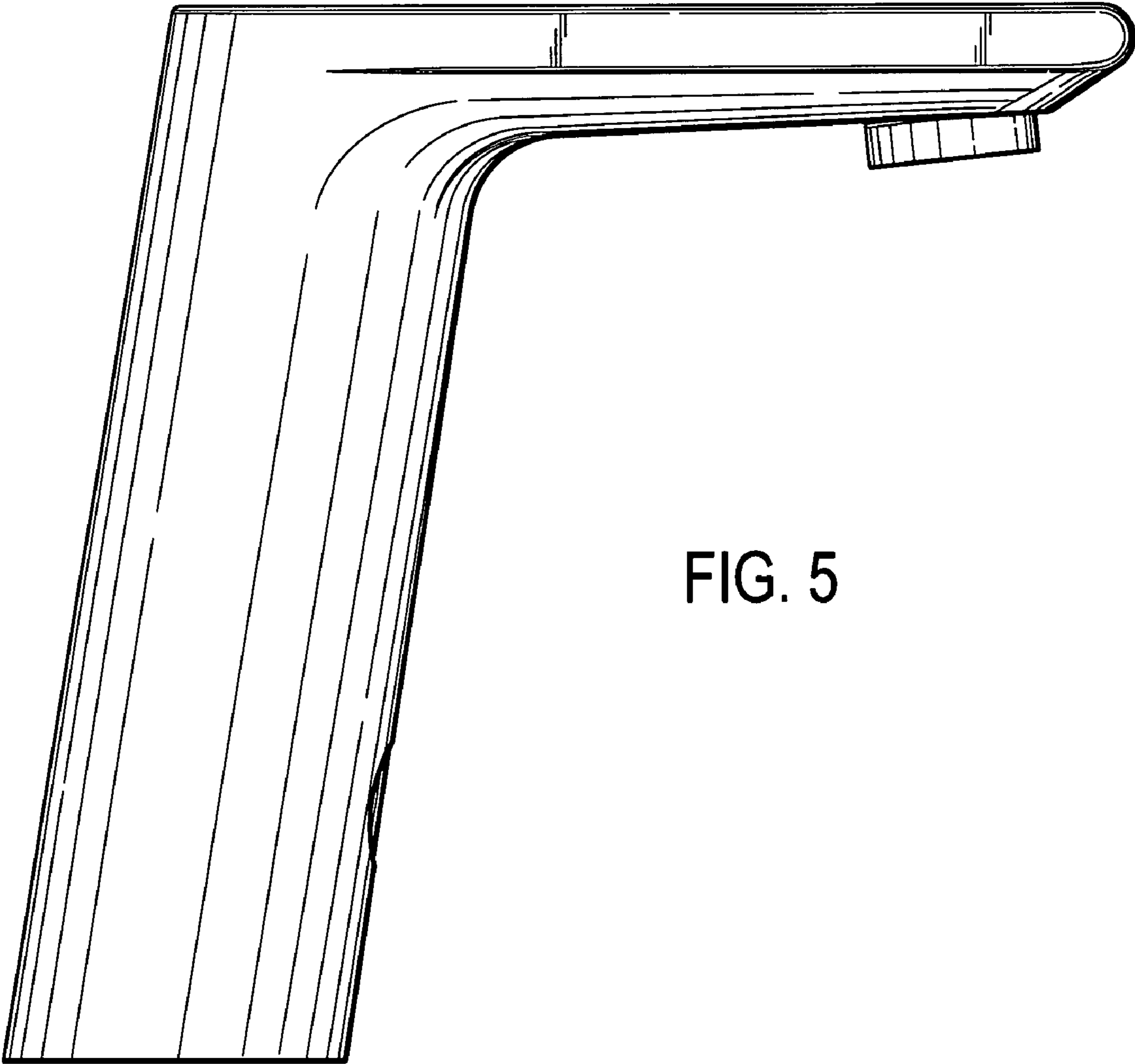


FIG. 5

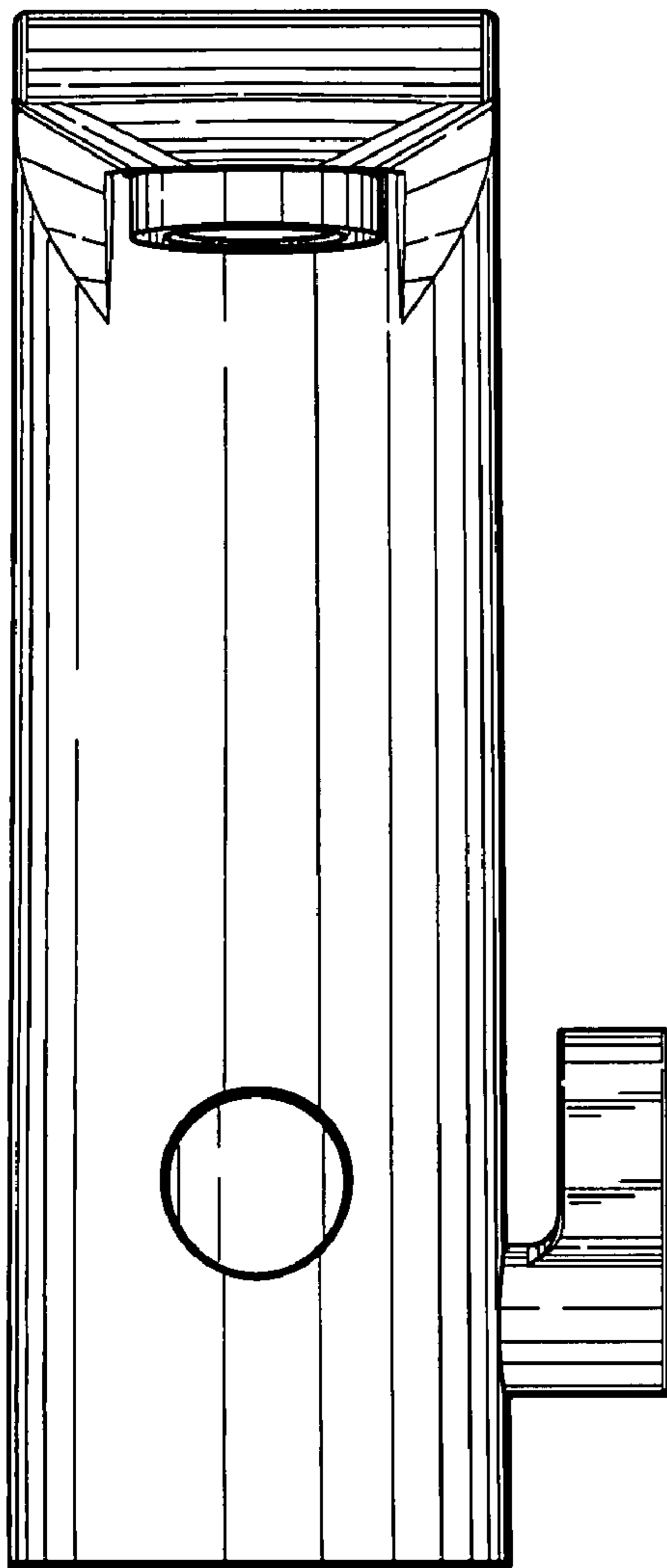


FIG. 6

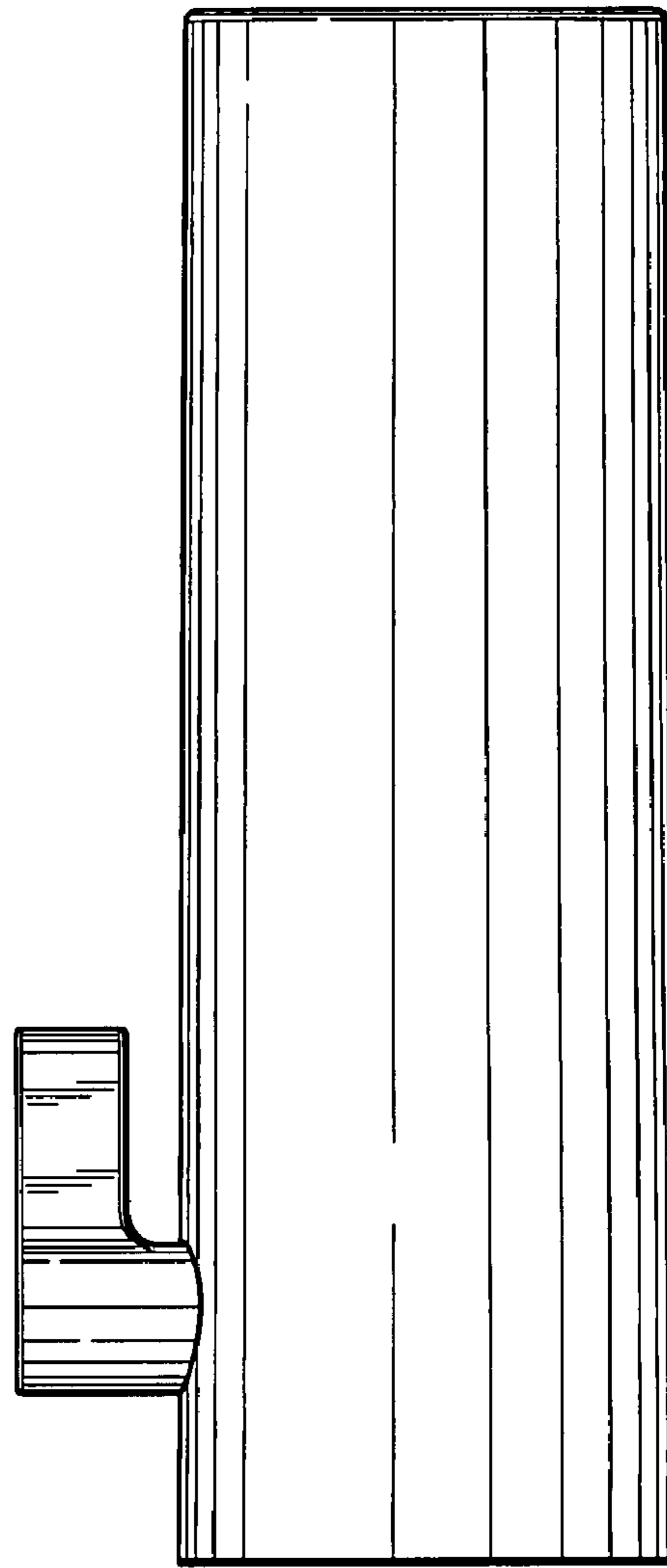


FIG. 7

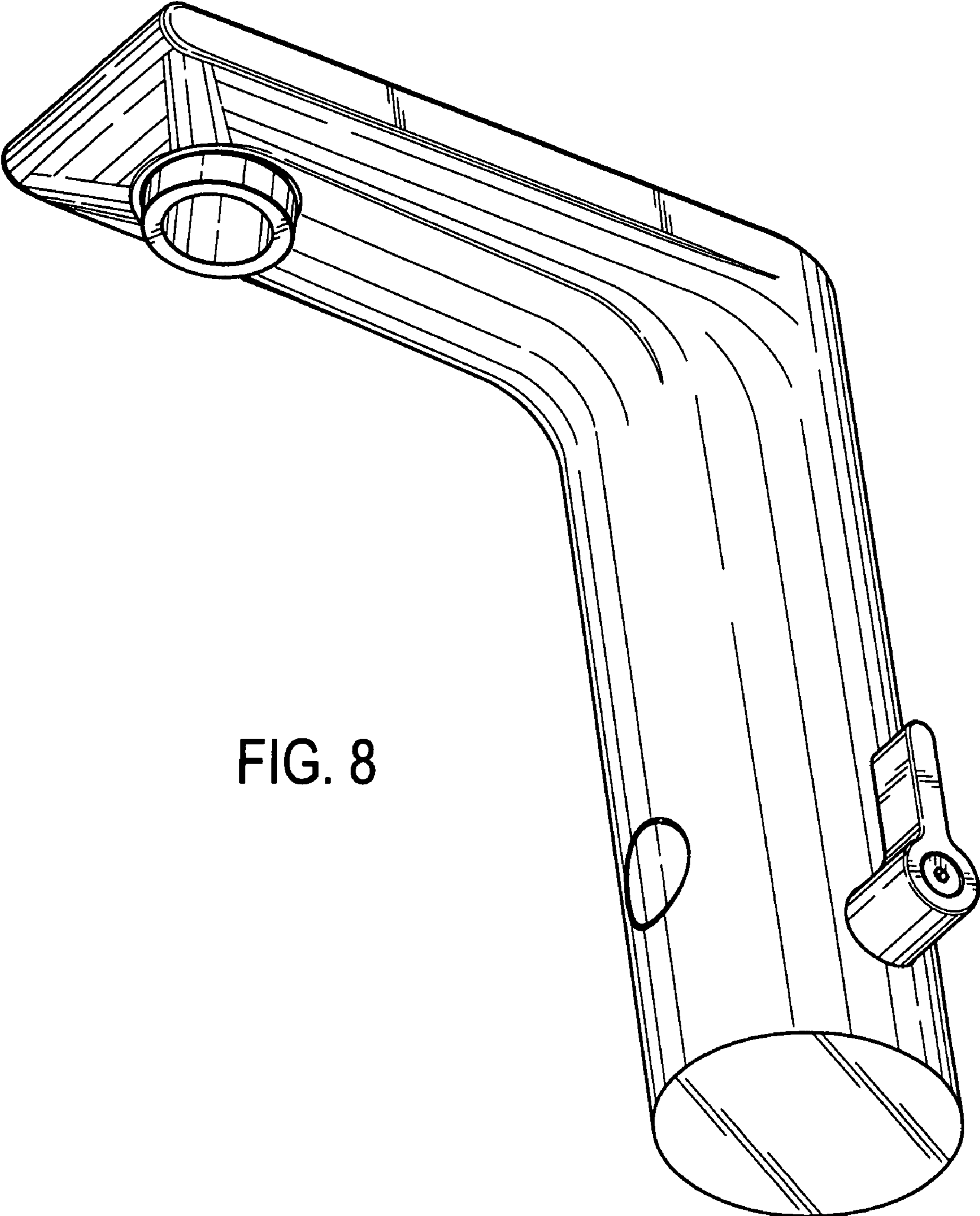


FIG. 8