



US00D550808S

(12) **United States Design Patent**
Franson et al.

(10) **Patent No.: US D550,808 S**

(45) **Date of Patent: ** Sep. 11, 2007**

(54) **SPRINKLER BODY**

(75) Inventors: **Scott T. Franson**, Hastings, MI (US);
Thomas E. Winebrenner, Hastings, MI (US);
Shawn G. Orr, Grand Rapids, MI (US)

(73) Assignee: **The Viking Corporation**, Hastings, MI (US)

(**) Term: **14 Years**

(21) Appl. No.: **29/257,181**

(22) Filed: **Mar. 30, 2006**

(51) **LOC (8) Cl.** **23-01**

(52) **U.S. Cl.** **D23/213; D23/214**

(58) **Field of Classification Search** D23/213,
D23/214; 239/502; 169/37, 38, 39
See application file for complete search history.

(56) **References Cited**

U.S. PATENT DOCUMENTS

990,780 A	4/1911	Rockwood	
1,273,818 A *	7/1918	Buffum	169/39
3,599,723 A *	8/1971	Vorkapich	169/39
D253,364 S *	11/1979	McFadden	D23/214
D287,992 S *	1/1987	McLennan et al.	D23/214
D303,138 S *	8/1989	Smith	D23/214
D516,669 S *	3/2006	Antonucci et al.	D23/214

* cited by examiner

Primary Examiner—Robin Webster

(74) *Attorney, Agent, or Firm*—Harness, Dickey & Pierce, P.L.C.

(57) **CLAIM**

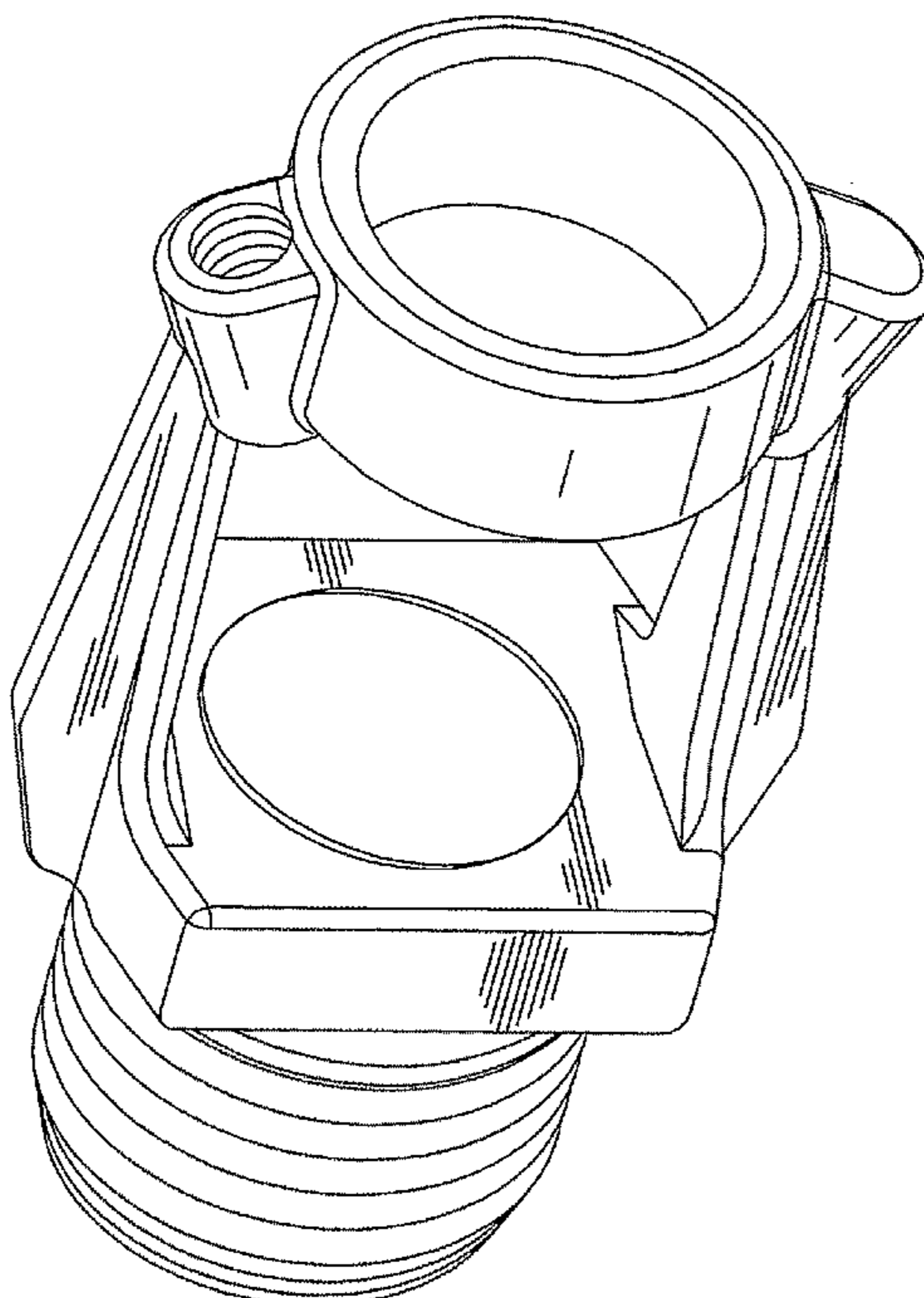
The ornamental design for a sprinkler body, as shown and described.

DESCRIPTION

FIG. 1 is a perspective view of a sprinkler body;
 FIG. 2 is a top plan view thereof;
 FIG. 3 is a front view thereof (the back view being identical to the front view);
 FIG. 4 is a left side view thereof;
 FIG. 5 is a right side view thereof;
 FIG. 6 is a perspective view of a second embodiment of a sprinkler body;
 FIG. 7 is a top plan view thereof;
 FIG. 8 is a front view thereof (the back view being identical to the front view);
 FIG. 9 is a right side view thereof (the left side view being identical to the right side);
 FIG. 10 is a perspective view of a third embodiment of a sprinkler body;
 FIG. 11 is a top plan view thereof;
 FIG. 12 is a front view thereof (the back view being identical to the front view); and,
 FIG. 13 is a right side view thereof (the left side view being identical to the right side).

The lines shown in phantom are for illustrative purposes only and do not form part of the invention.

1 Claim, 13 Drawing Sheets



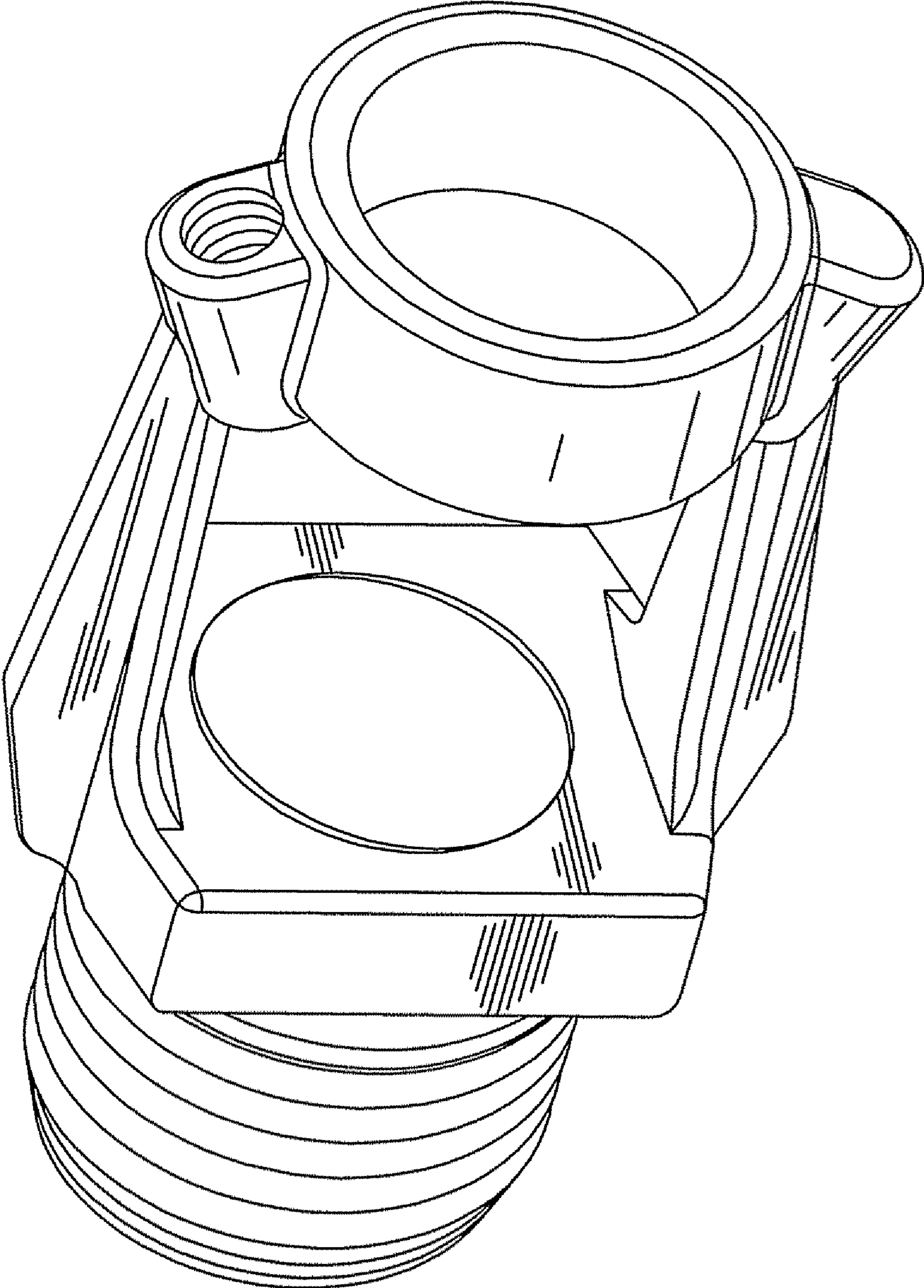


FIG 1

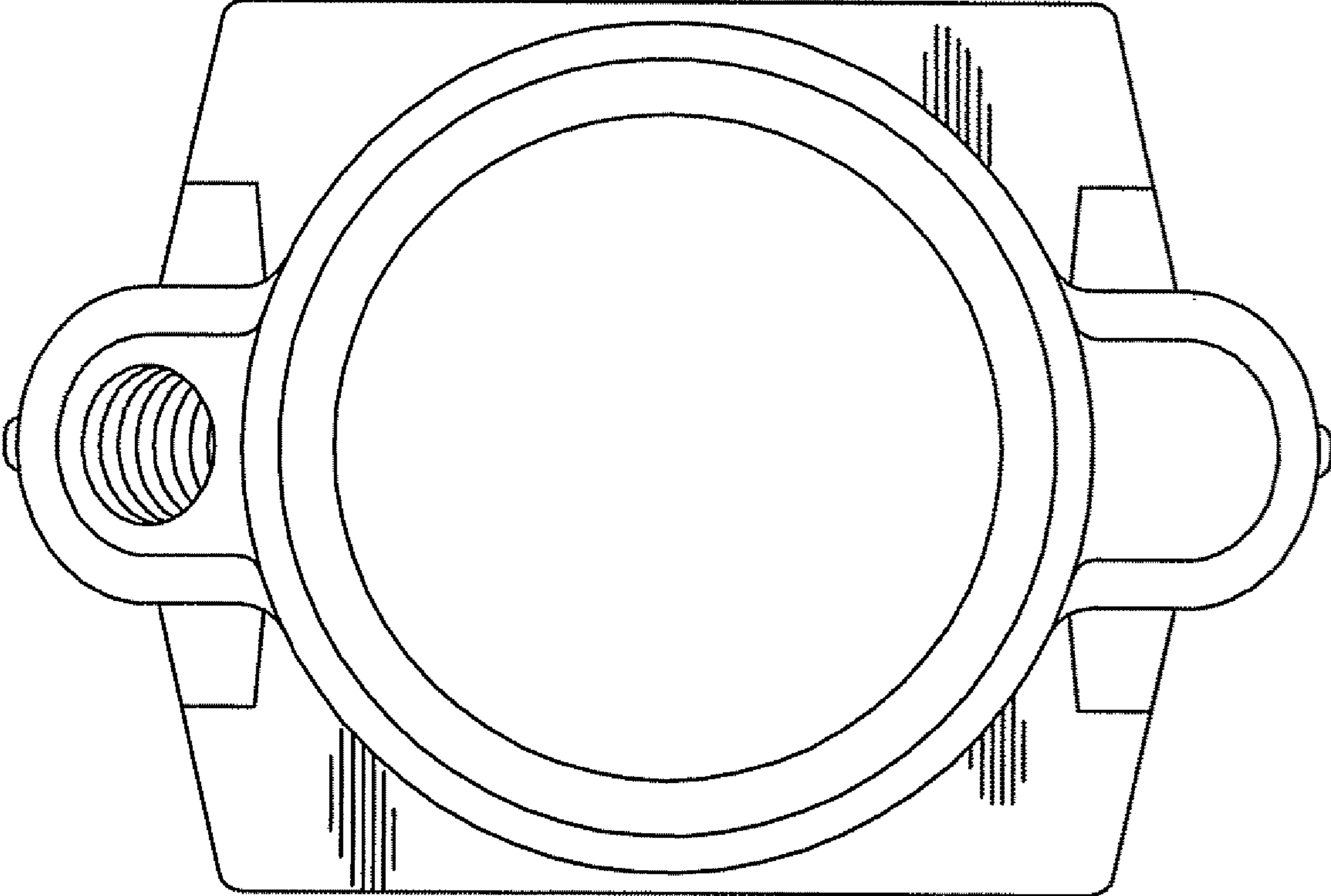


FIG 2

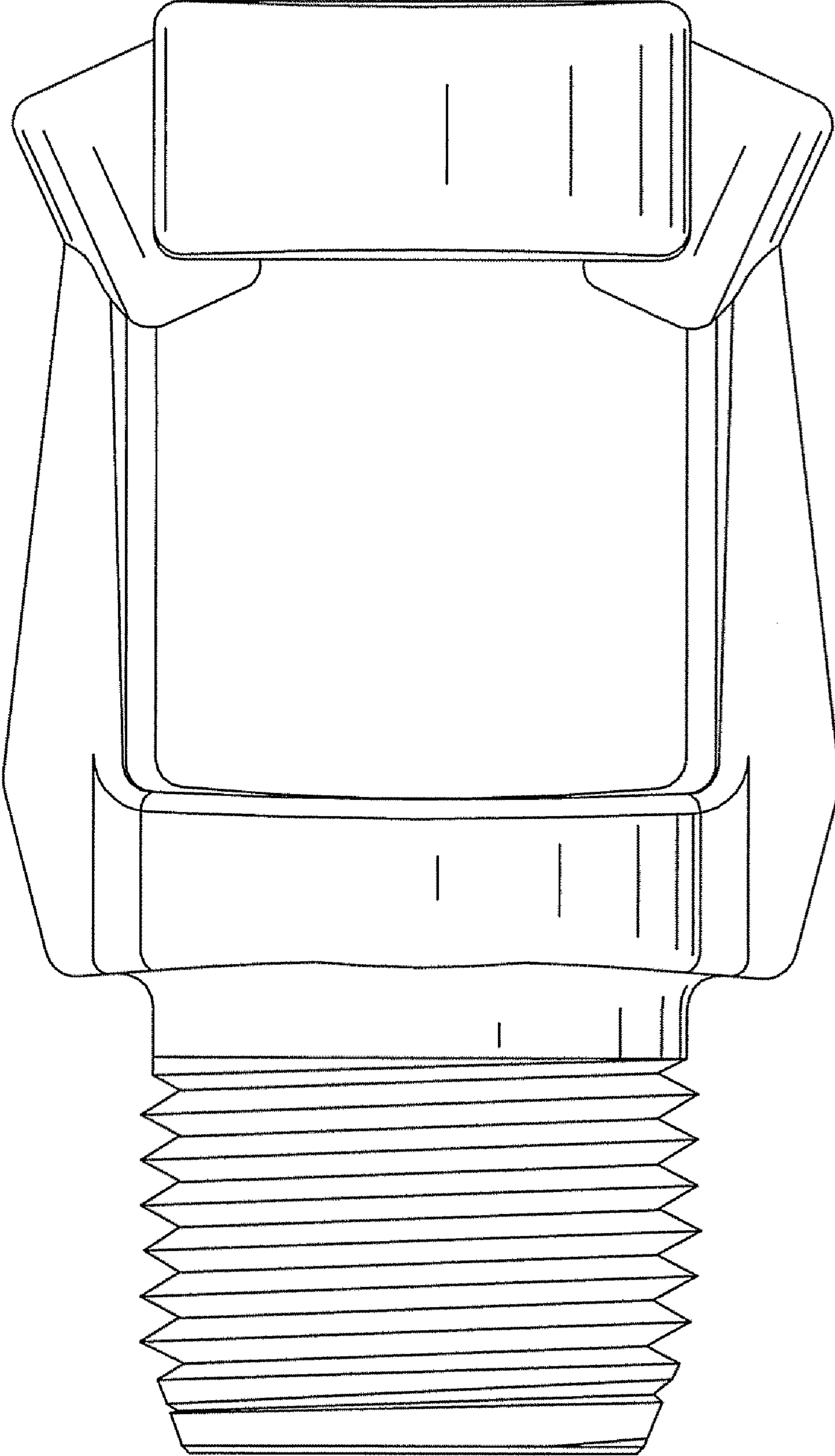


FIG 3

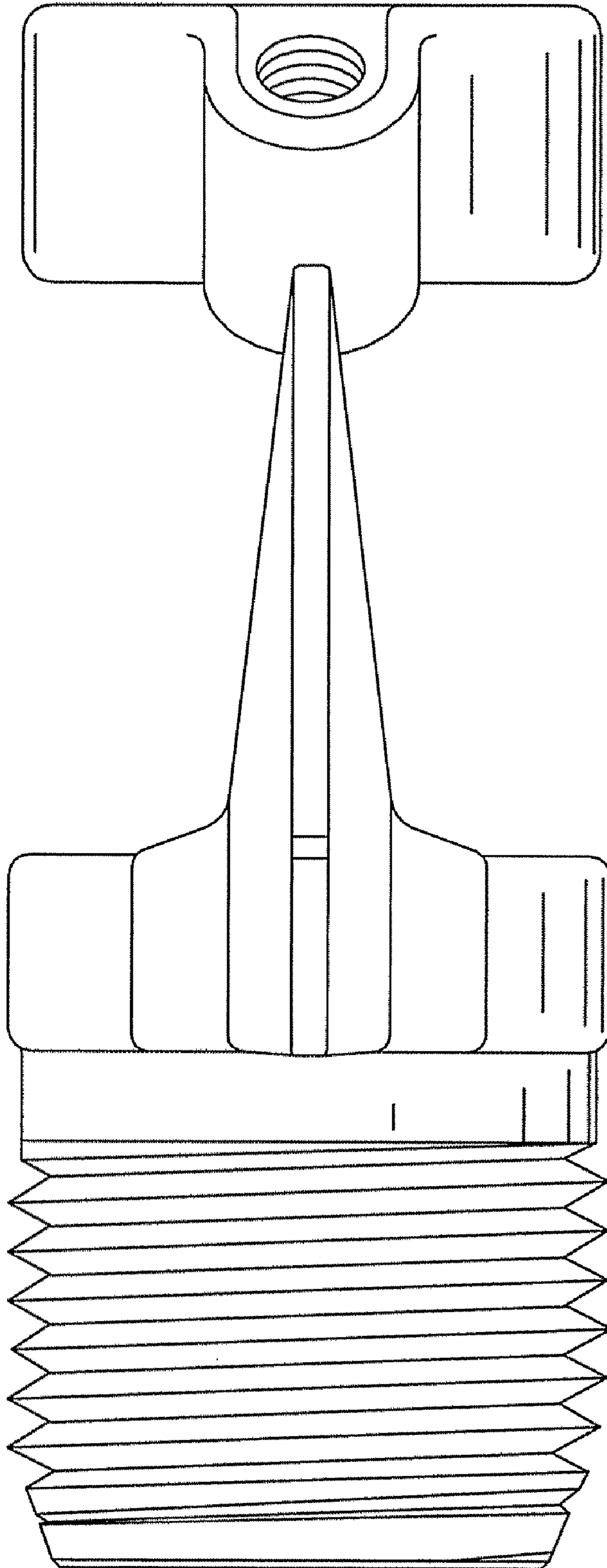


FIG 4

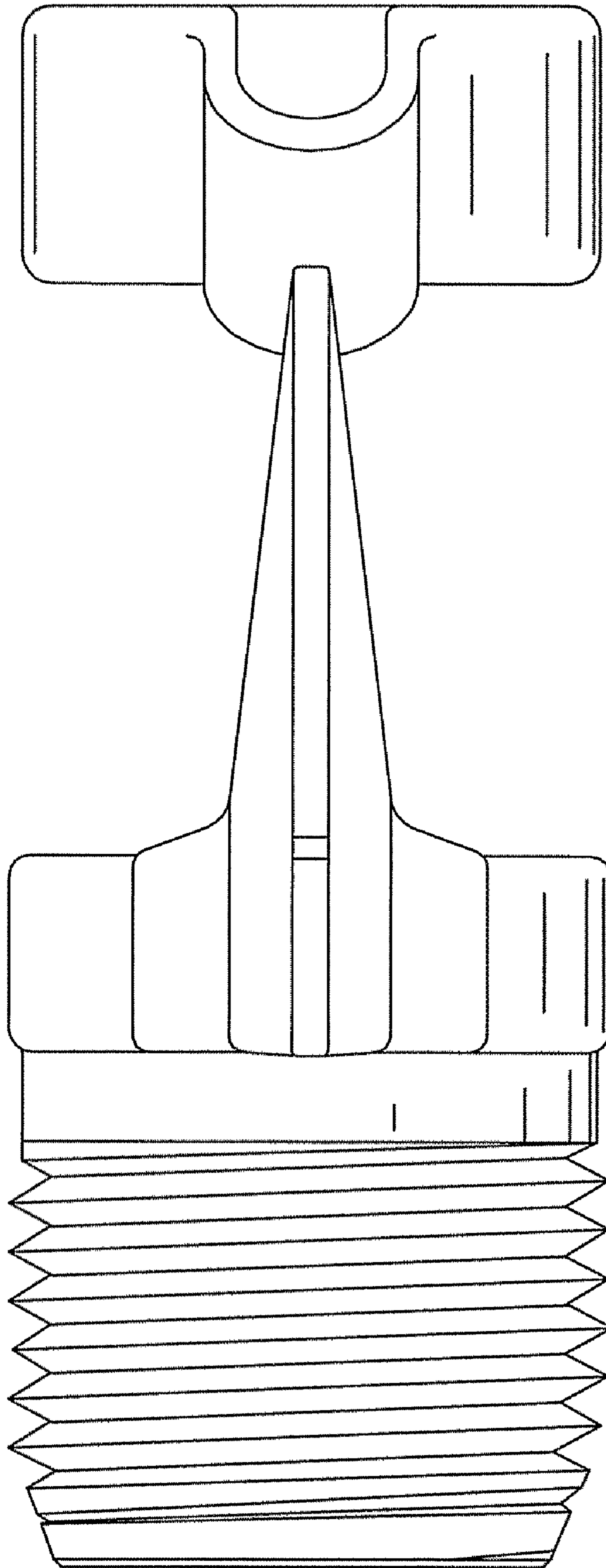


FIG 5

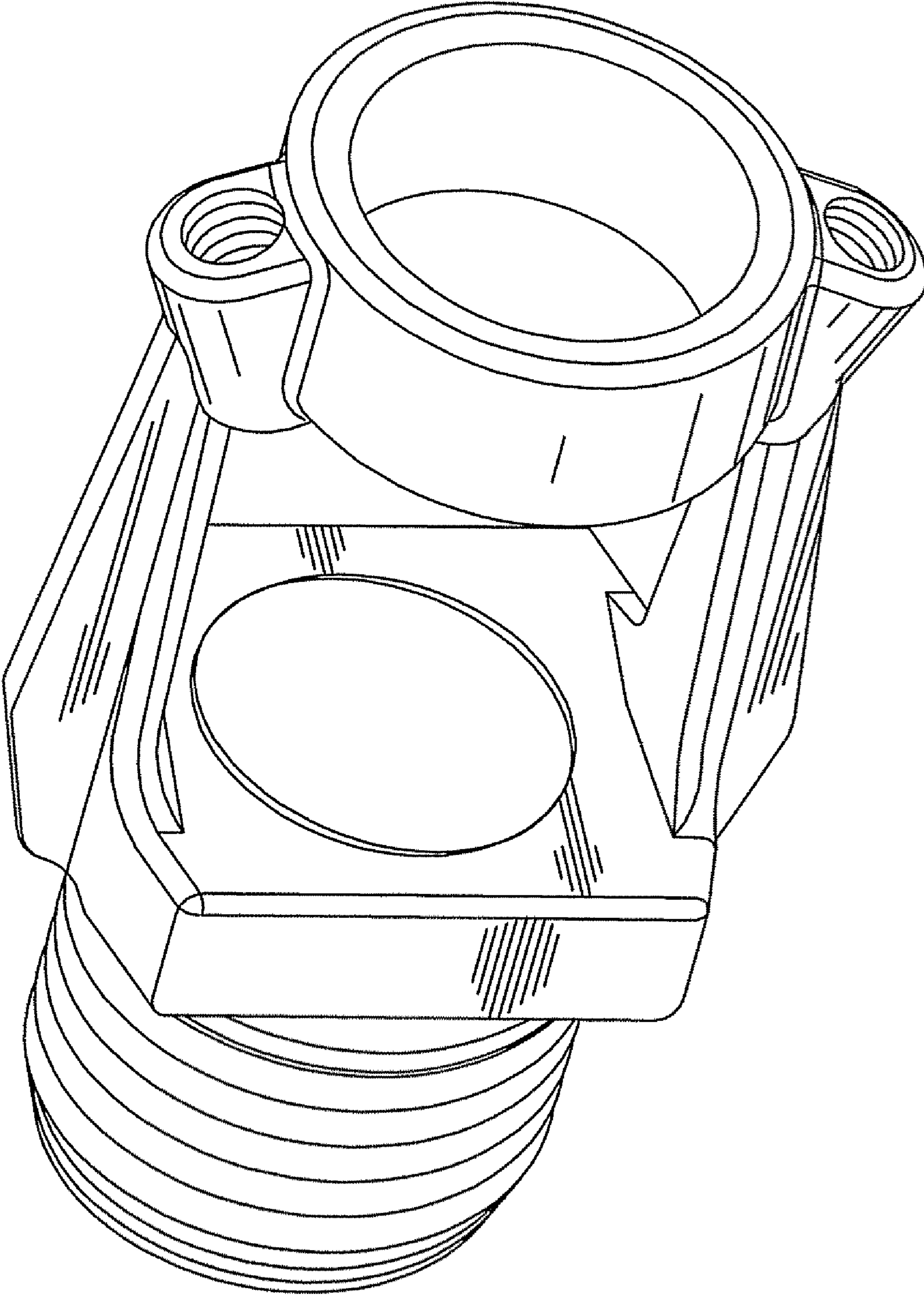


FIG 6

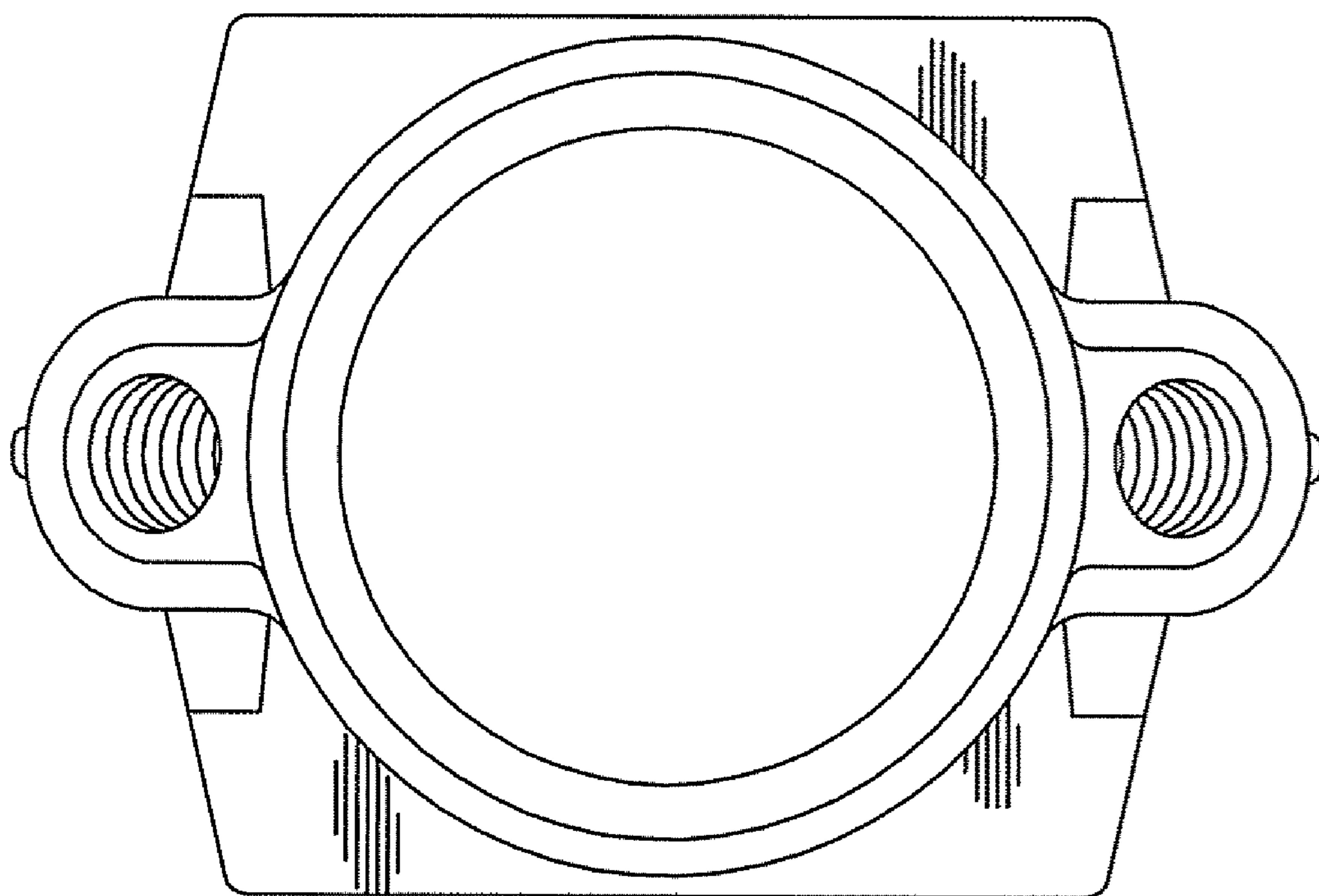


FIG 7

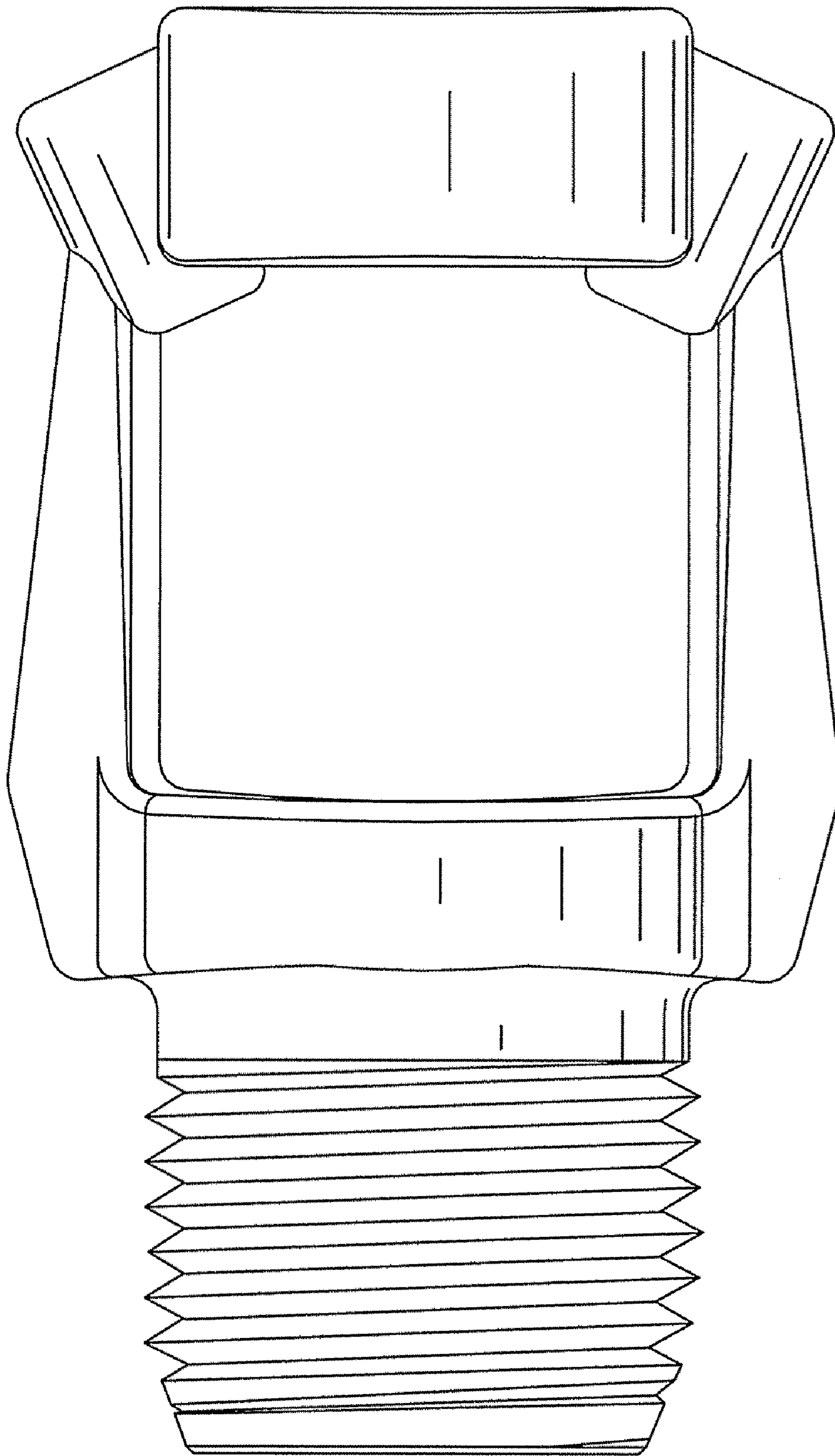


FIG 8

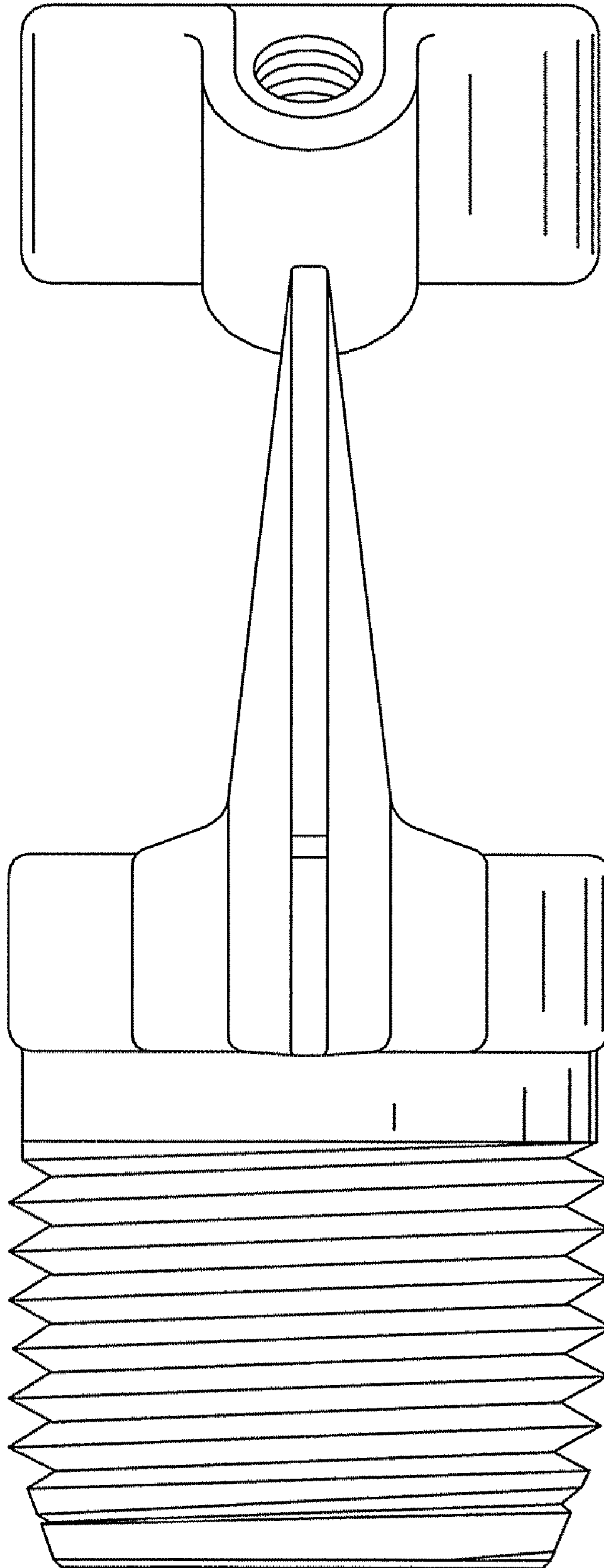


FIG 9

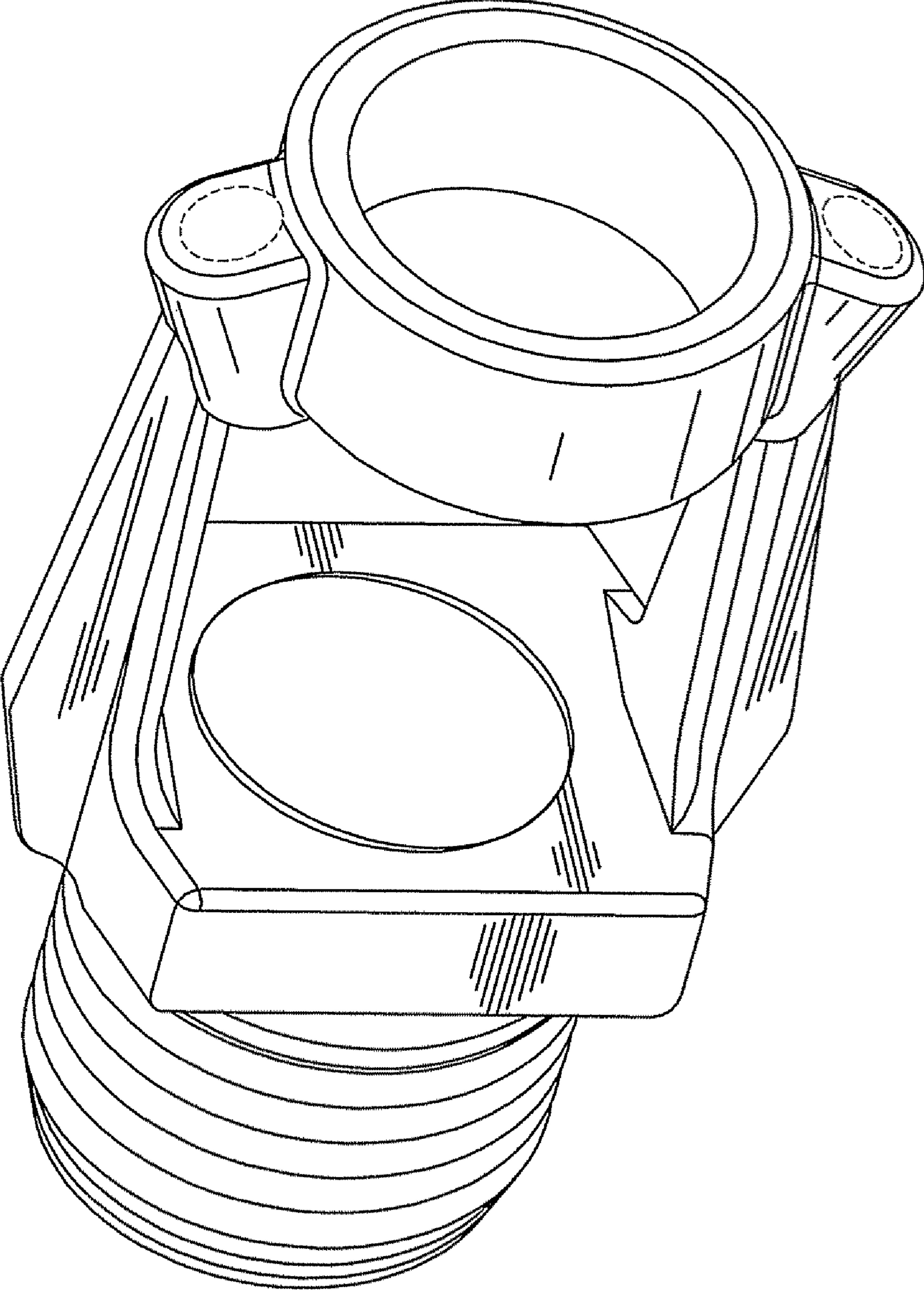


FIG 10

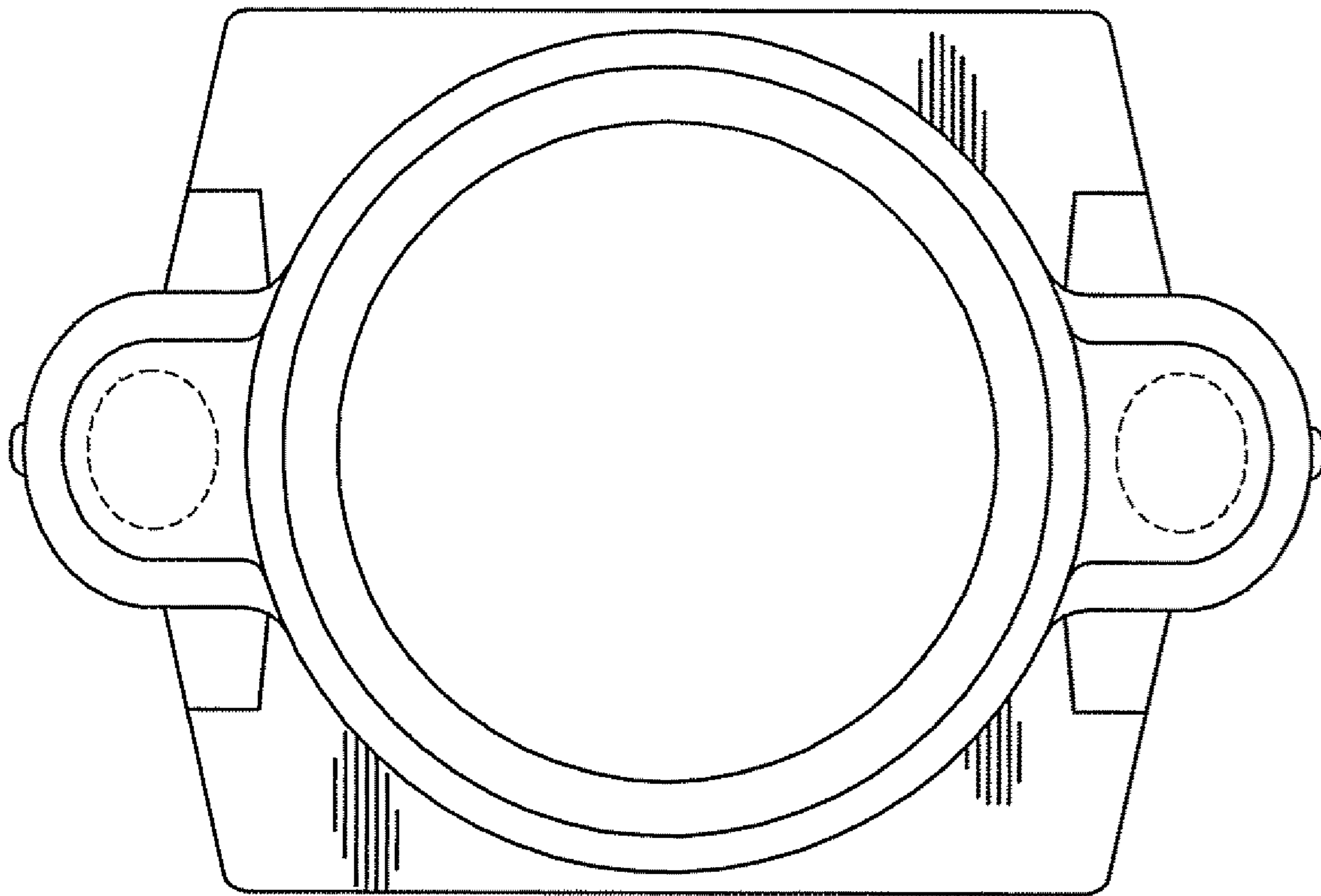


FIG 11

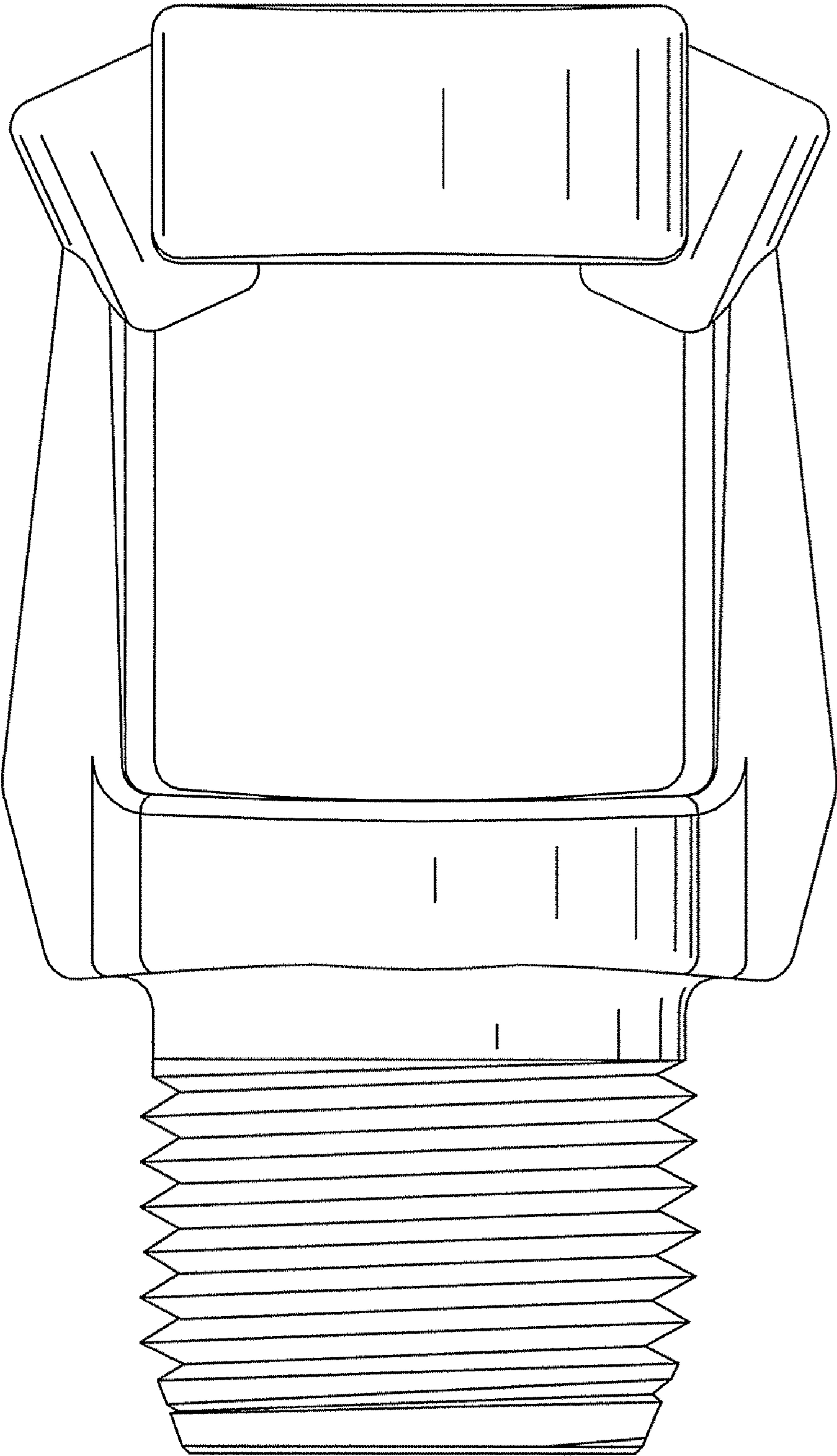


FIG 12

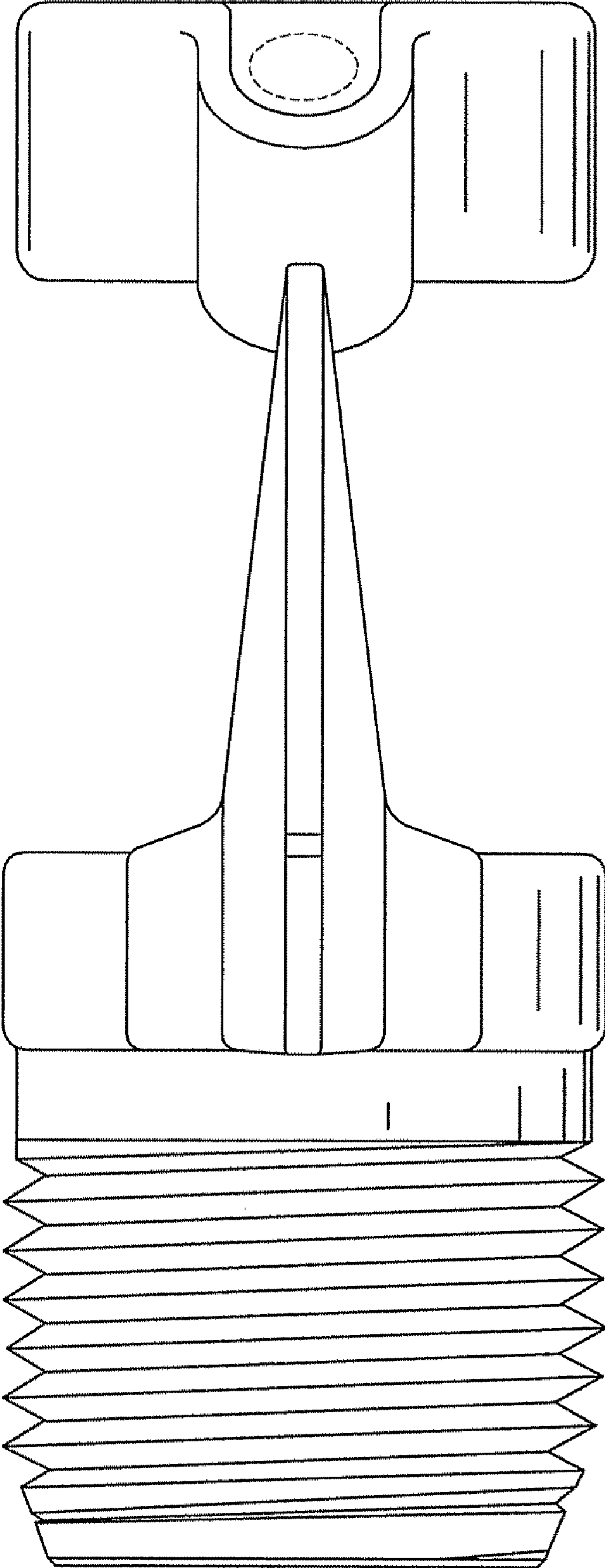


FIG 13