



US00D550807S

(12) **United States Design Patent**  
**Franson et al.**

(10) **Patent No.:** **US D550,807 S**

(45) **Date of Patent:** **\*\* Sep. 11, 2007**

(54) **FLOW SHAPER FOR SPRINKLER ASSEMBLY**

D253,364 S \* 11/1979 McFadden ..... D23/214  
D287,992 S \* 1/1987 McLennan et al. .... D23/214  
D303,138 S \* 8/1989 Smith ..... D23/214  
D516,669 S \* 3/2006 Antonucci et al. .... D23/214

(75) Inventors: **Scott T. Franson**, Hastings, MI (US);  
**Thomas E. Winebrenner**, Hastings, MI (US);  
**Shawn G. Orr**, Grand Rapids, MI (US);  
**Lindsay M. Barker**, Delton, MI (US)

\* cited by examiner

*Primary Examiner*—Robin Webster  
(74) *Attorney, Agent, or Firm*—Harness, Dickey & Pierce, P.L.C.

(73) Assignee: **The Viking Corporation**, Hastings, MI (US)

(57) **CLAIM**

(\*\*) Term: **14 Years**

The ornamental design for a flow shaper for sprinkler assembly, as shown and described.

(21) Appl. No.: **29/257,159**

(22) Filed: **Mar. 30, 2006**

**DESCRIPTION**

(51) **LOC (8) Cl.** ..... **23-01**

FIG. 1 is a perspective view of a flow shaper for sprinkler assembly;

(52) **U.S. Cl.** ..... **D23/213; D23/214**

FIG. 2 is a top plan view thereof;

(58) **Field of Classification Search** ..... D23/213,  
D23/214; 239/502; 169/37, 38, 39

FIG. 3 is a front view thereof;

See application file for complete search history.

FIG. 4 is a right side view thereof;

FIG. 5 is a rear side view thereof; and,

FIG. 6 is a left side view thereof.

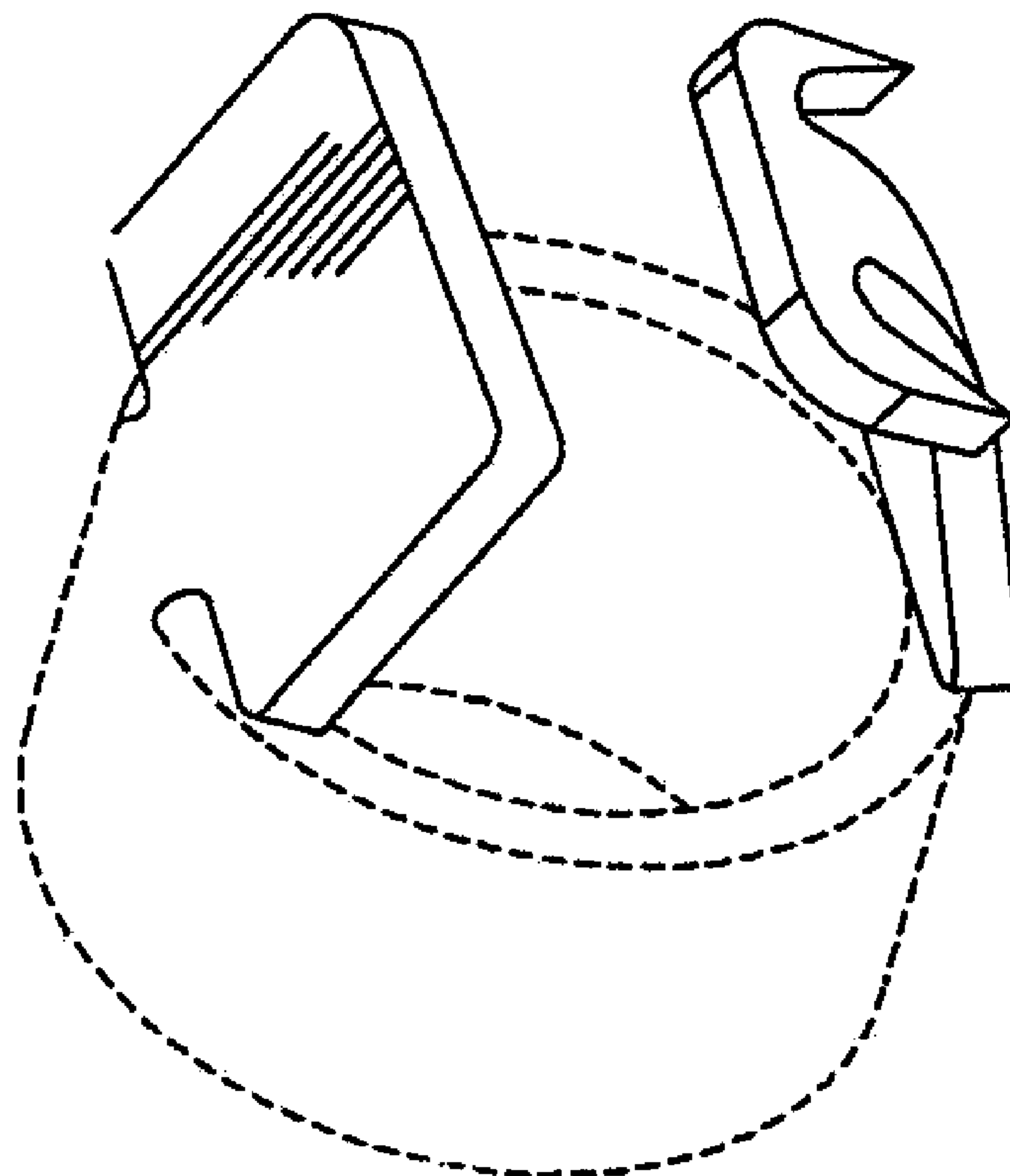
The lines shown in phantom are for illustrative purposes only and do not form part of the invention.

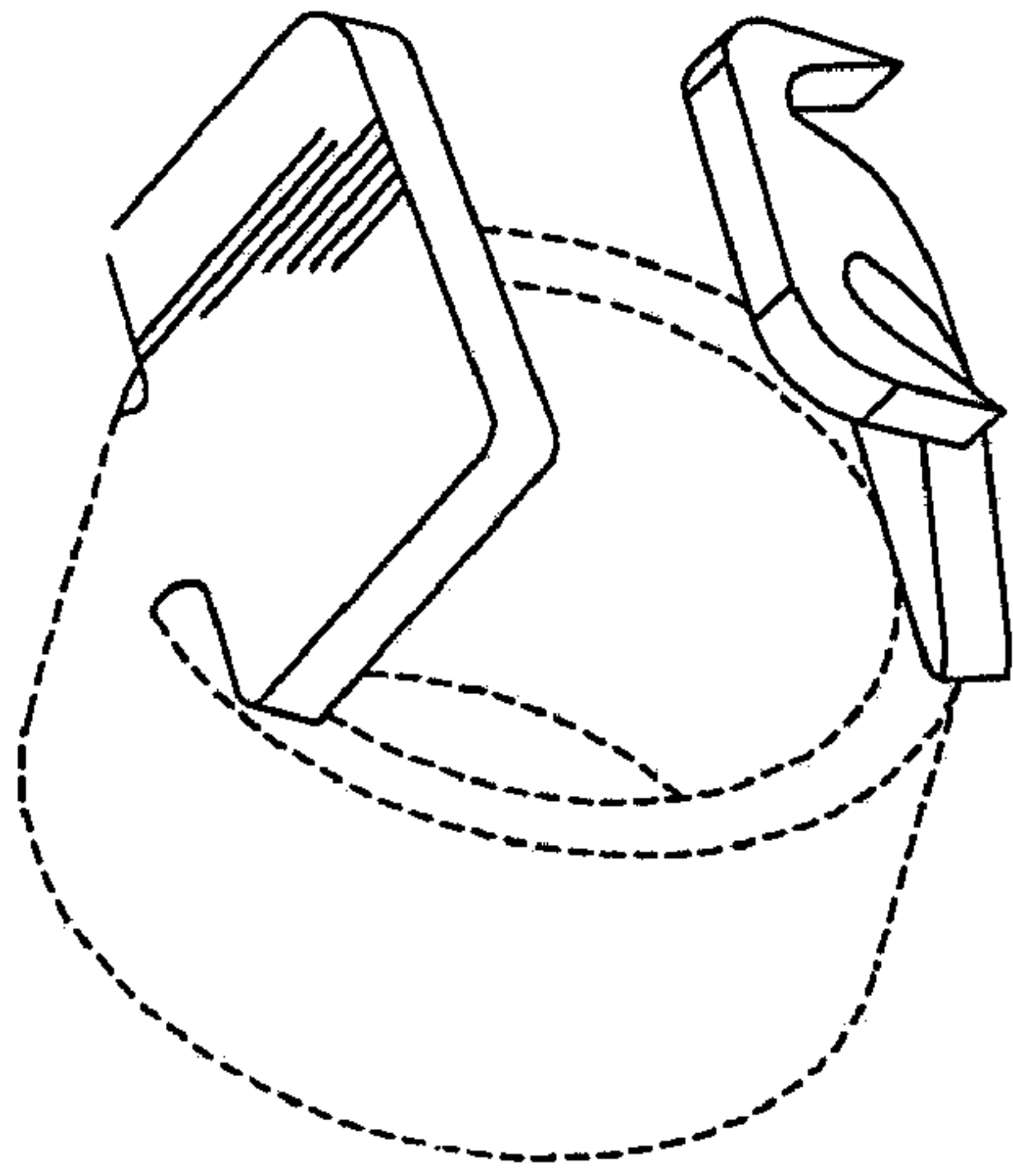
(56) **References Cited**

U.S. PATENT DOCUMENTS

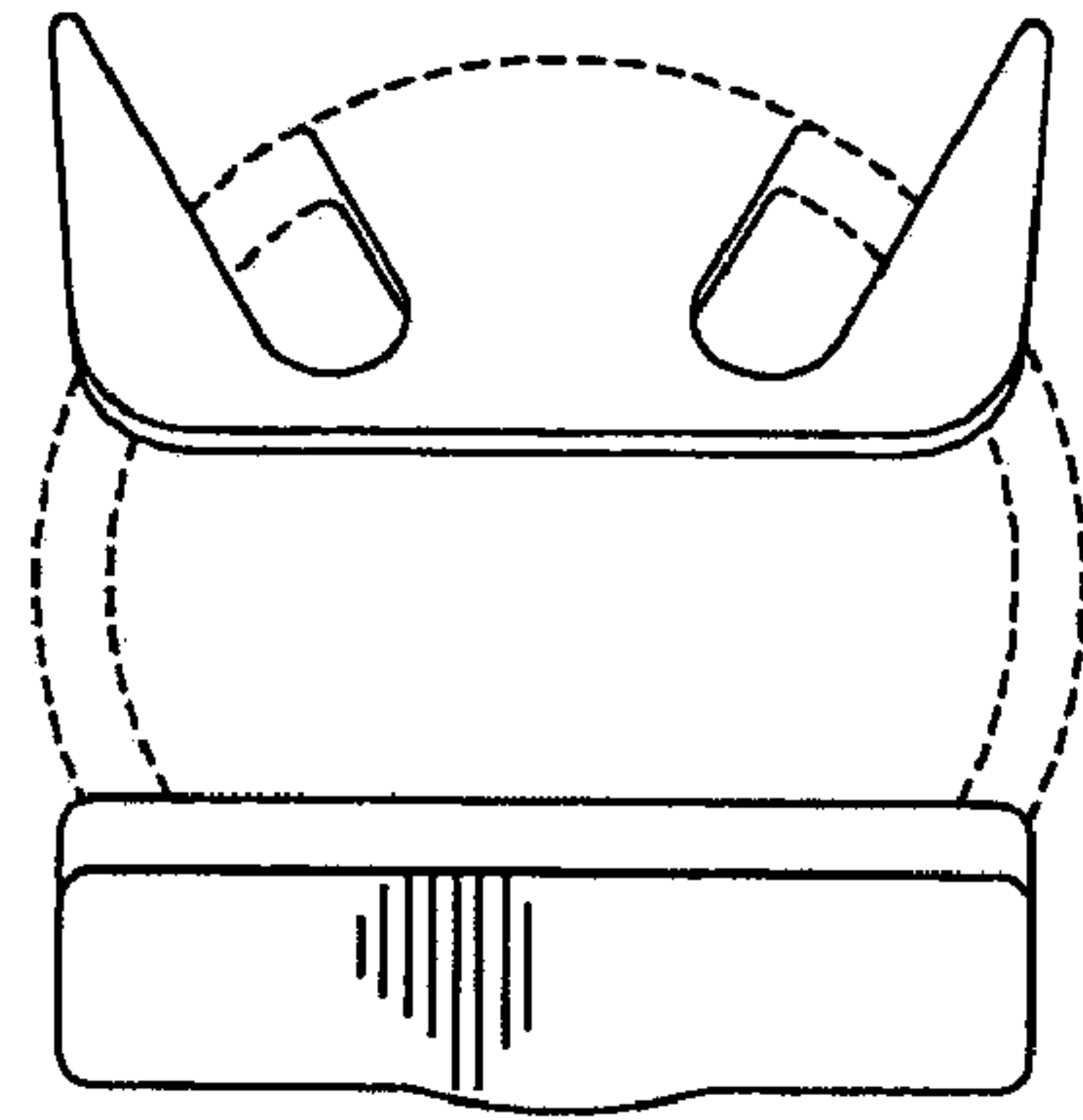
990,780 A 4/1911 Rockwood  
1,273,818 A \* 7/1918 Buffum ..... 169/39  
3,599,723 A \* 8/1971 Vorkapich ..... 169/39

**1 Claim, 1 Drawing Sheet**

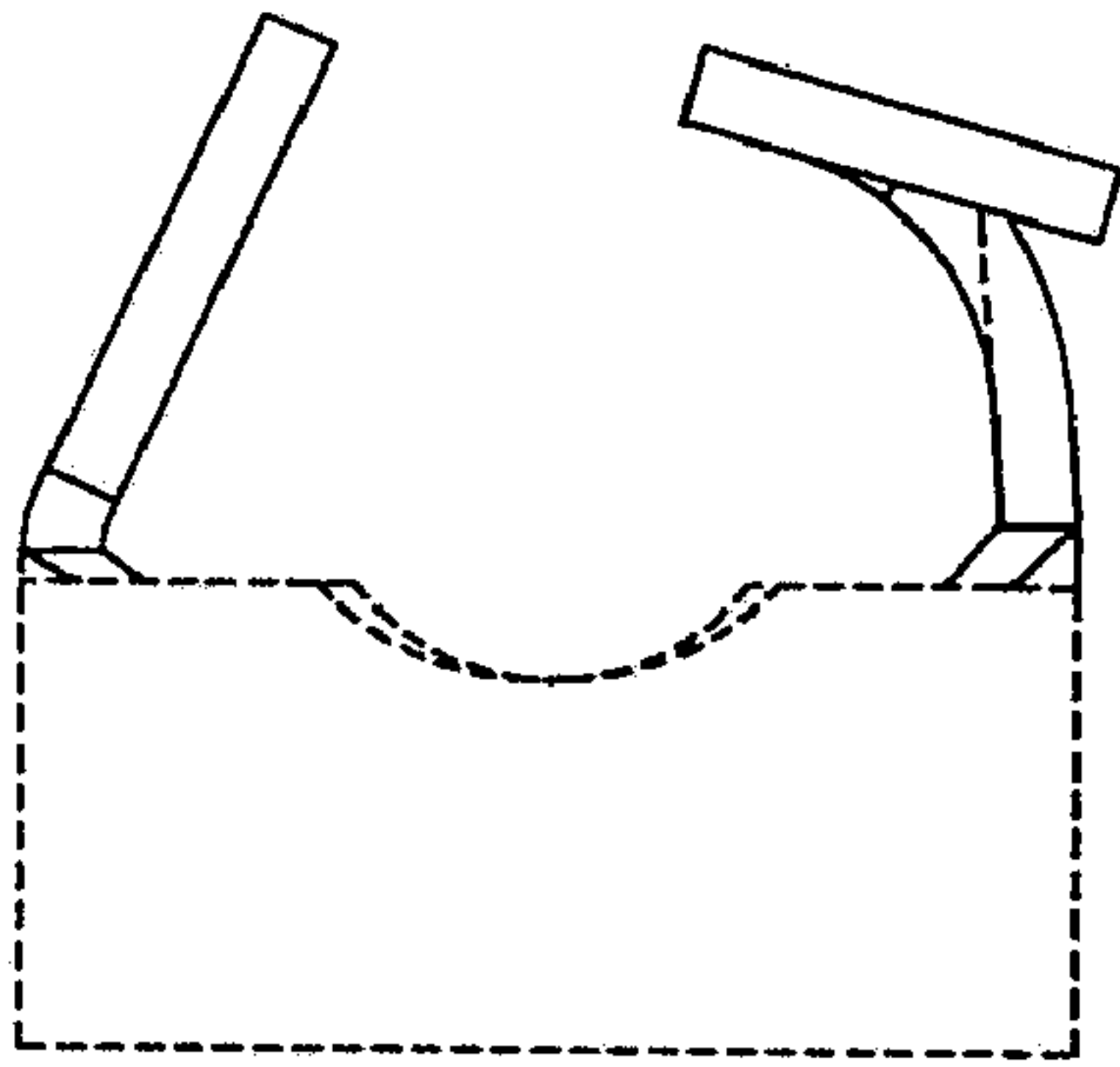




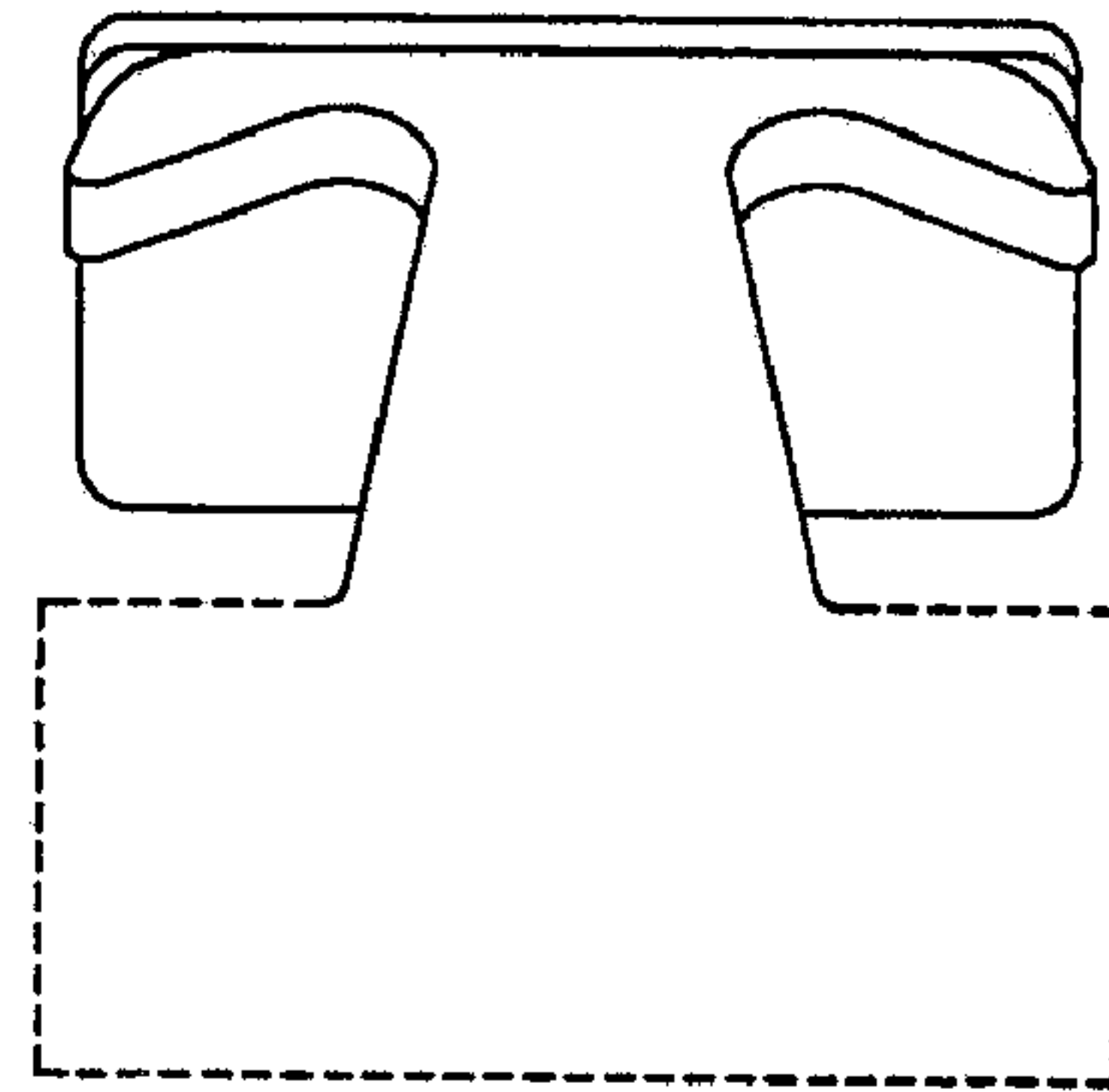
**FIG. 1**



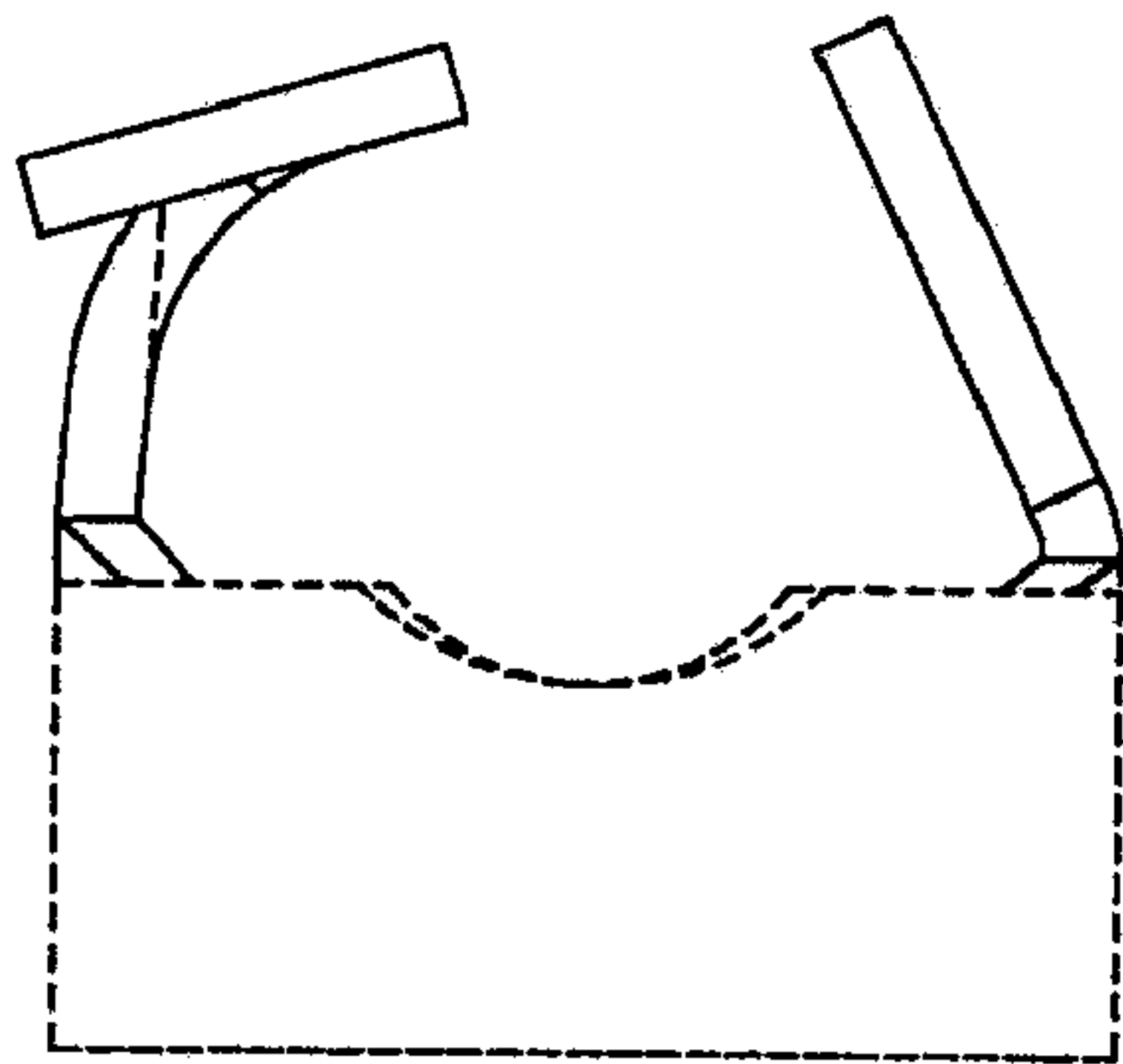
**FIG. 2**



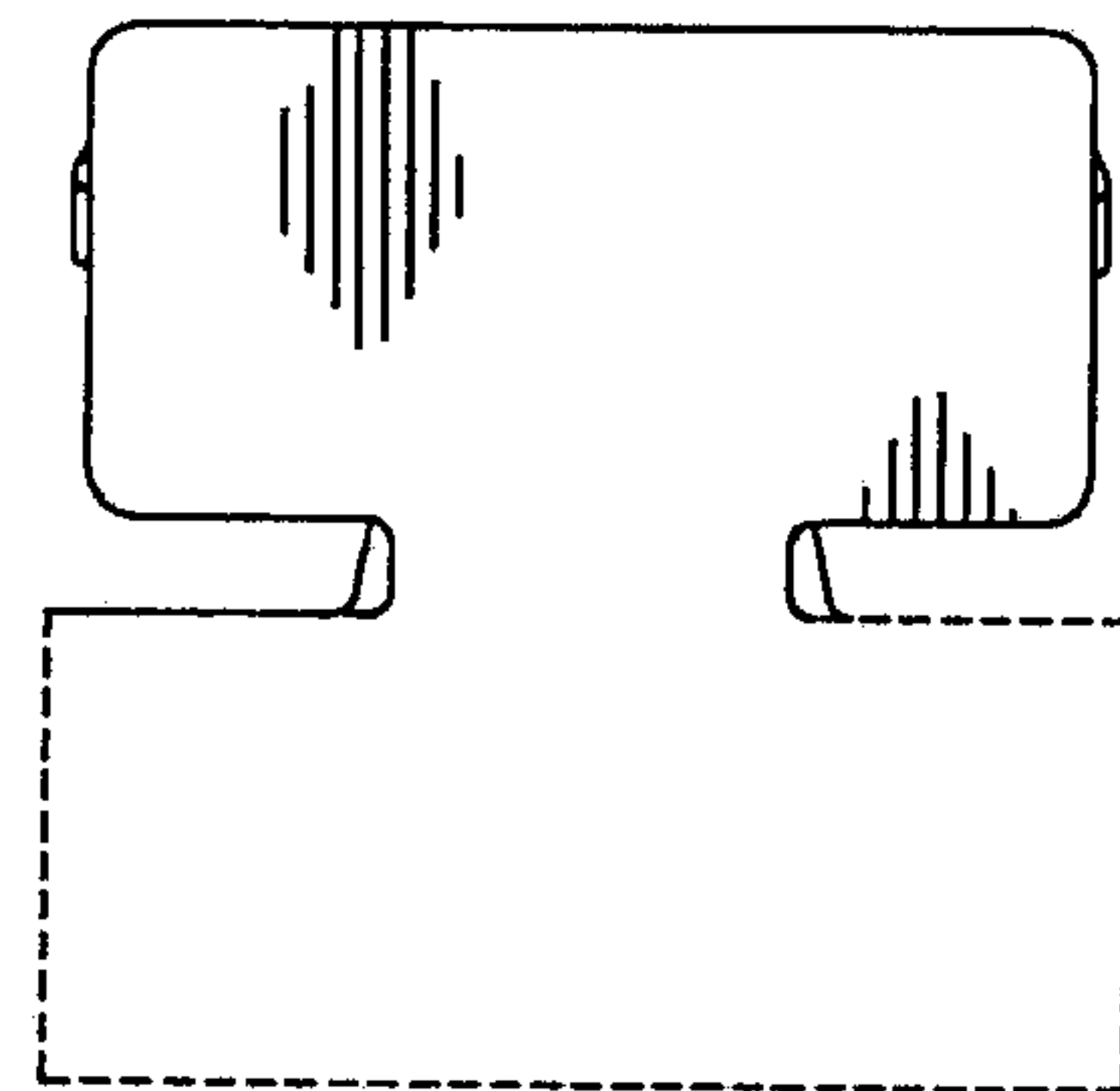
**FIG. 3**



**FIG. 4**



**FIG. 5**



**FIG. 6**