



US00D550801S

(12) **United States Design Patent**  
**Valiante**

(10) **Patent No.:** **US D550,801 S**

(45) **Date of Patent:** **\*\* Sep. 11, 2007**

(54) **GOLF CLUB SUPPORT APPARATUS**

(76) Inventor: **Nicholas Valiante**, 32 Dory Dr., Cape  
May Courthouse, NJ (US) 08210

(\*\*) Term: **14 Years**

(21) Appl. No.: **29/264,052**

(22) Filed: **Aug. 3, 2006**

(51) **LOC (8) Cl.** ..... **21-02**

(52) **U.S. Cl.** ..... **D21/796**

(58) **Field of Classification Search** ..... D21/789,  
D21/796; 473/282

See application file for complete search history.

(56) **References Cited**

U.S. PATENT DOCUMENTS

D318,090	S	*	7/1991	Bahns	.....	D21/796
5,127,530	A	*	7/1992	Ortuno	.....	473/282 X
5,467,980	A	*	11/1995	Weisenstein	.....	473/282
D371,590	S	*	7/1996	Ludwig	.....	D21/796
5,636,754	A		6/1997	Ennis		
D418,186	S	*	12/1999	Canterbury	.....	D21/796
D447,530	S	*	9/2001	Hidalgo	.....	D21/796
6,346,051	B1	*	2/2002	Otsubo	.....	473/282
D457,213	S		5/2002	Davies		

D471,613	S	*	3/2003	Richardson	.....	D21/796
6,572,487	B1	*	6/2003	Ruff	.....	473/282
D492,379	S		6/2004	Miavitz		
D493,860	S	*	8/2004	Fox	.....	D21/796
D530,768	S	*	10/2006	Rood	.....	D21/796

\* cited by examiner

*Primary Examiner*—Mitchell Siegel

(57) **CLAIM**

The ornamental design for a golf club support apparatus, as shown and described.

**DESCRIPTION**

FIG. 1 is a perspective view of a golf club support apparatus showing my new design;

FIG. 2 is a front elevational view thereof;

FIG. 3 is a rear elevational view thereof;

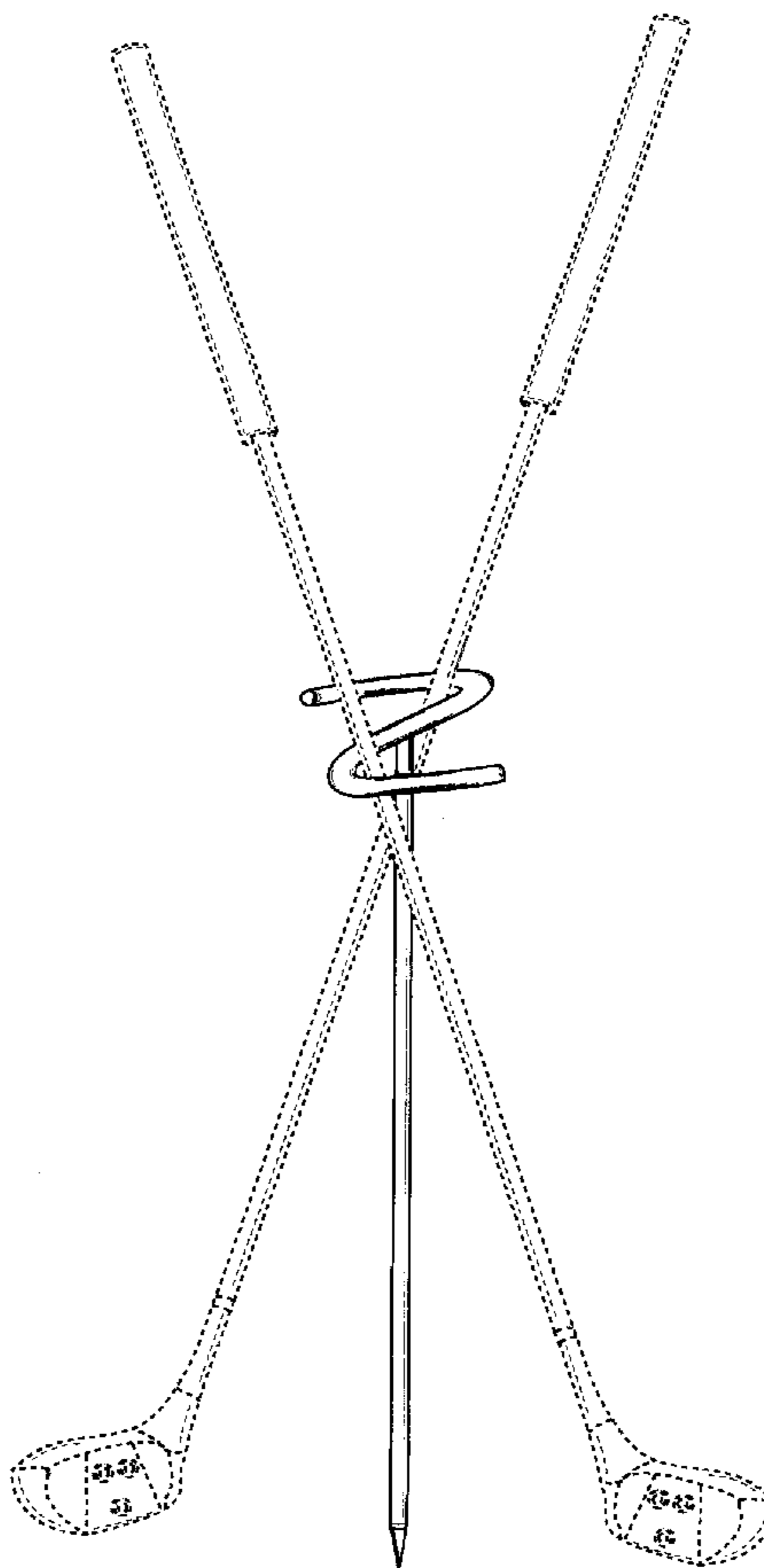
FIG. 4 is a top plan view thereof;

FIG. 5 is a bottom plan view thereof; and,

FIG. 6 is a side elevational view thereof.

The broken line showing is included for the purpose of illustrating and forms no part of the claimed design.

**1 Claim, 6 Drawing Sheets**



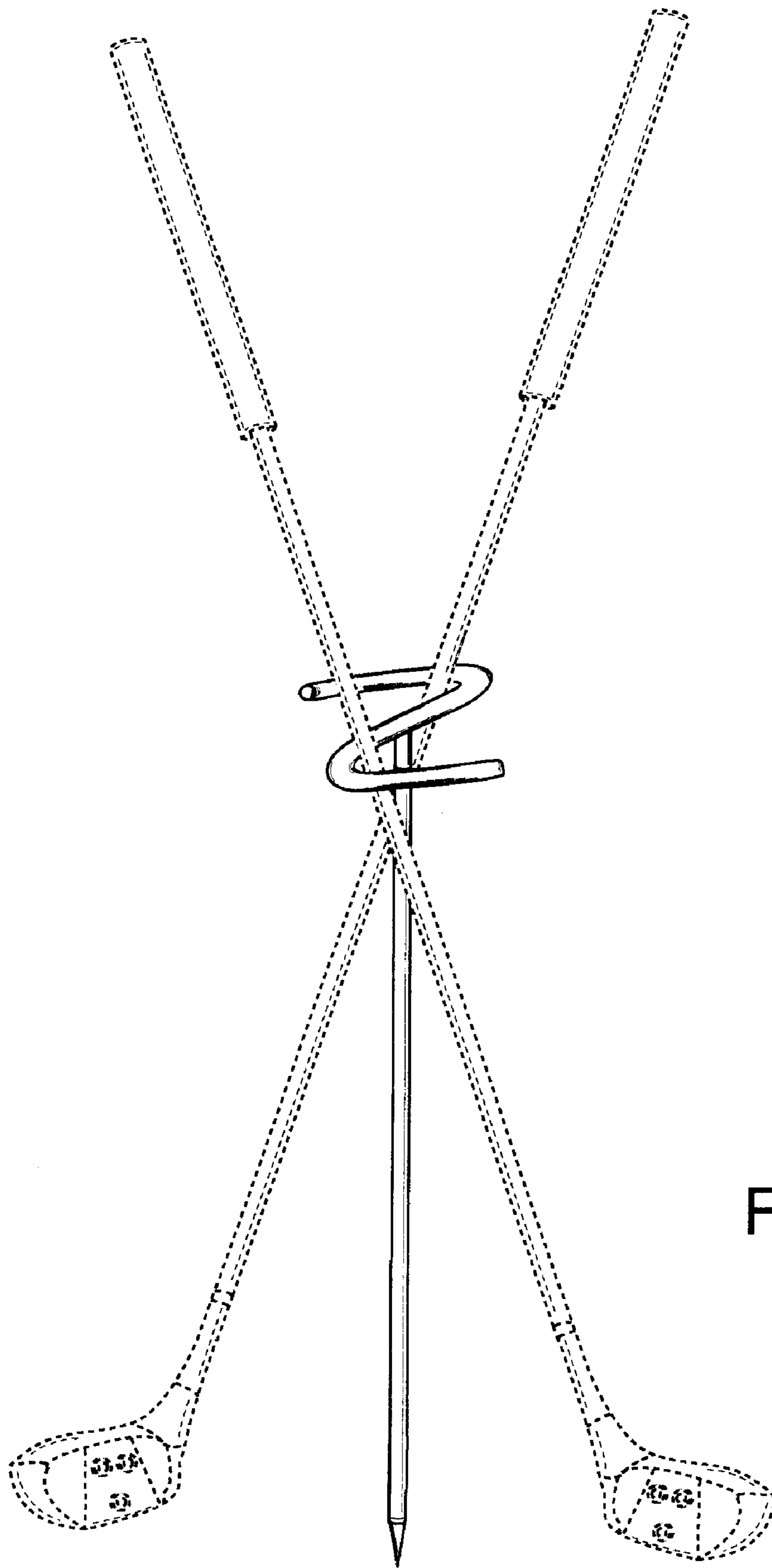


FIG. 1

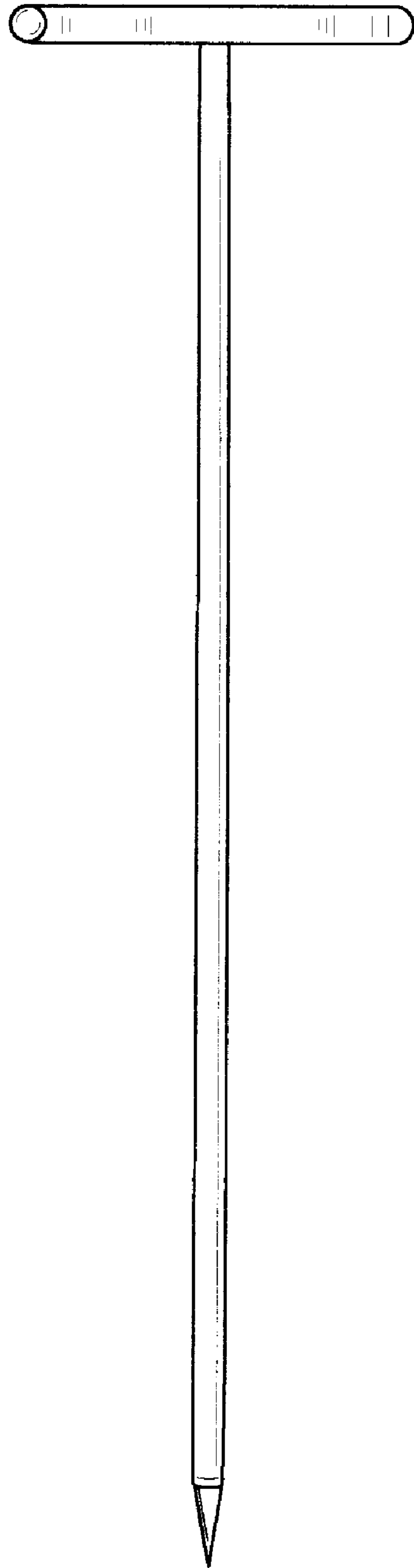


FIG. 2

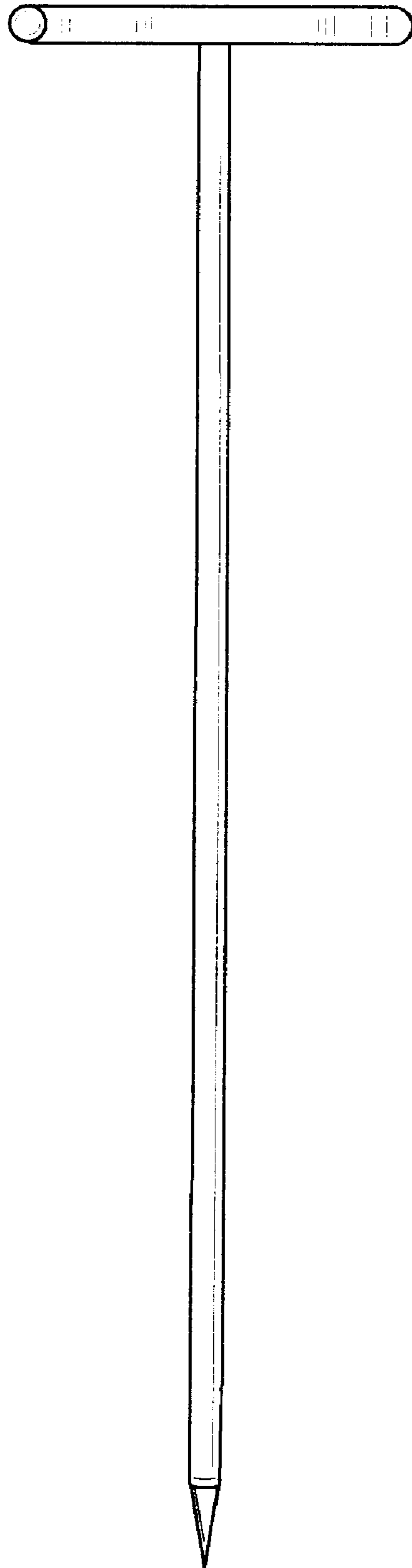


FIG. 3

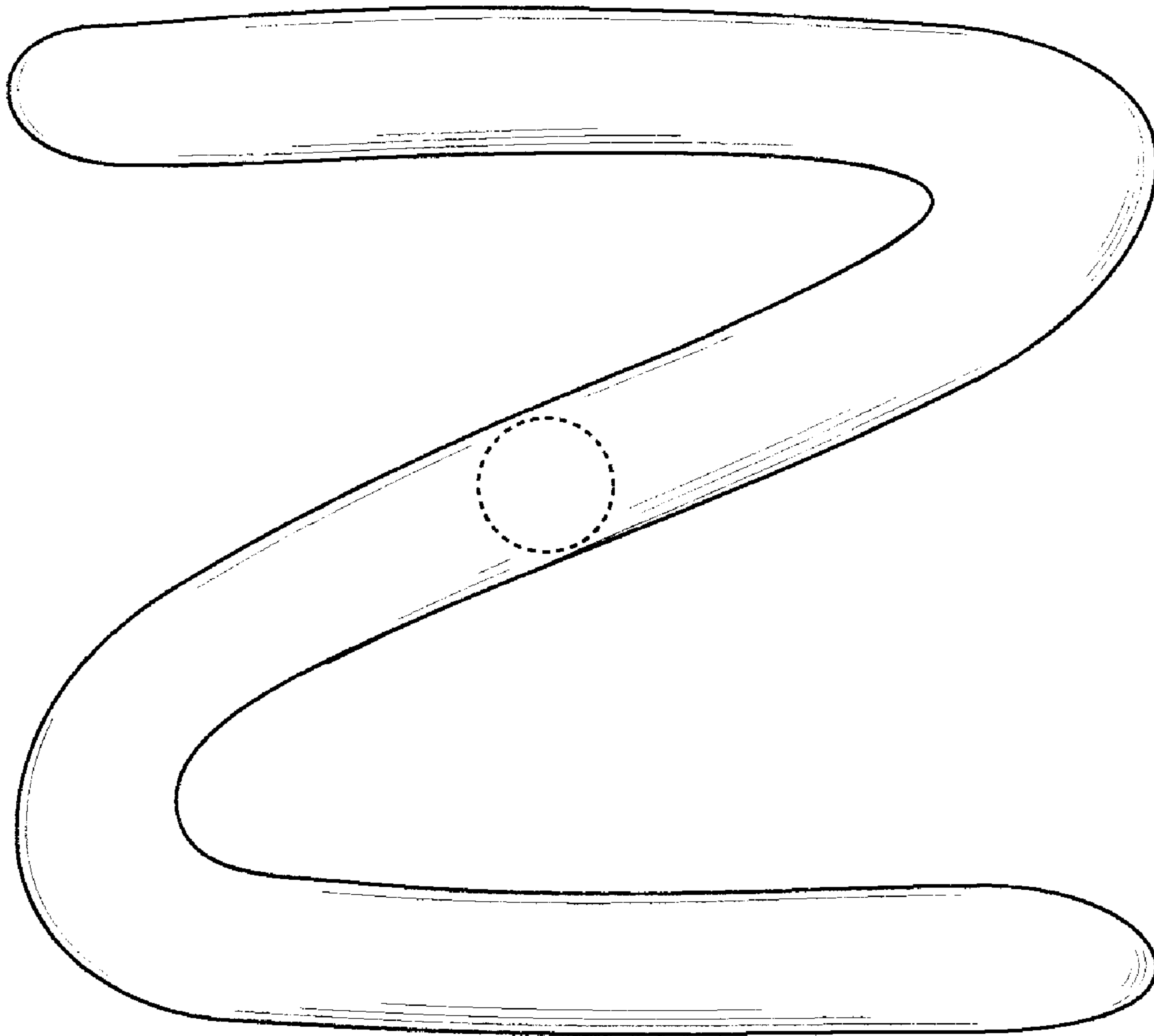


FIG. 4

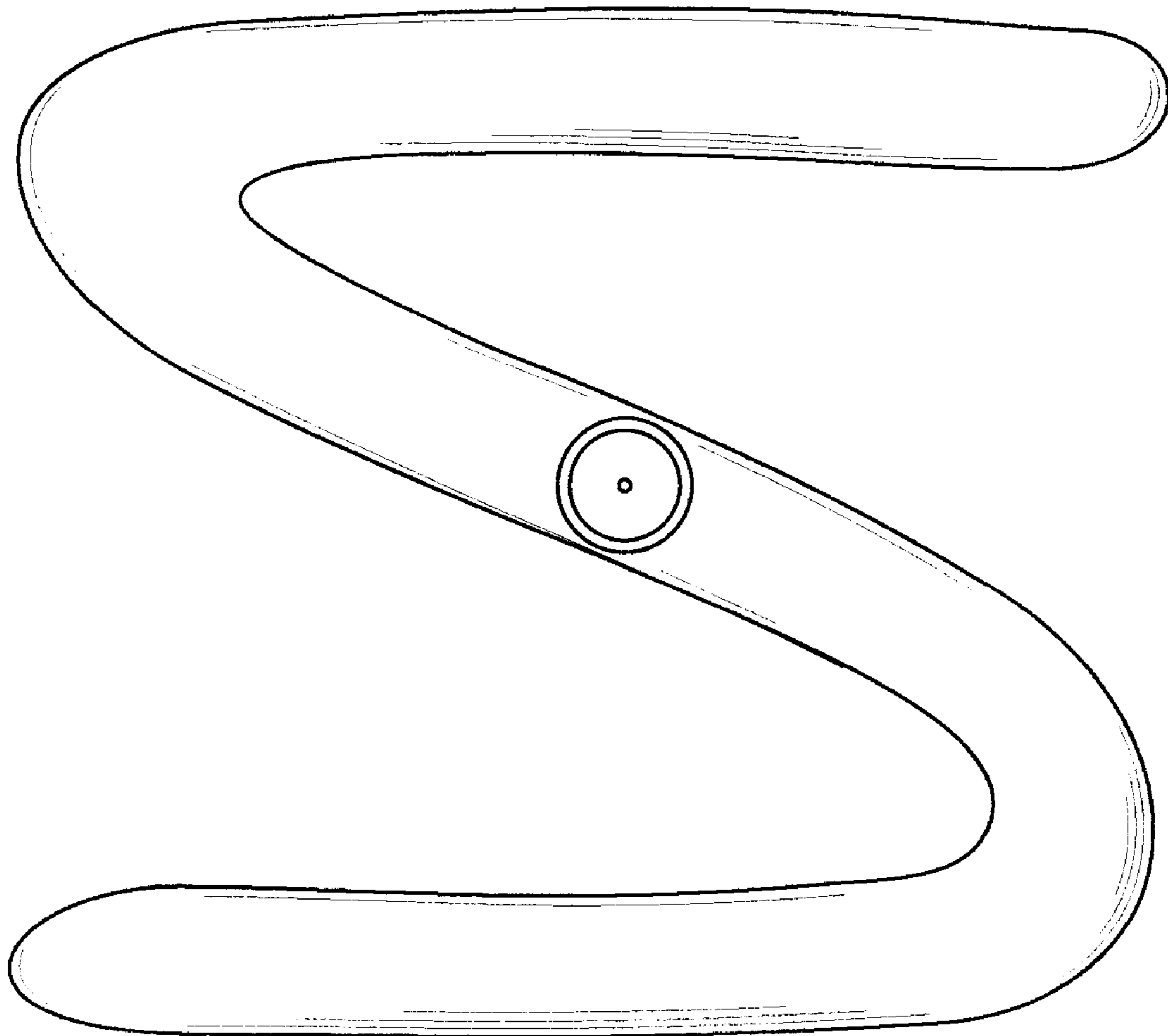


FIG. 5

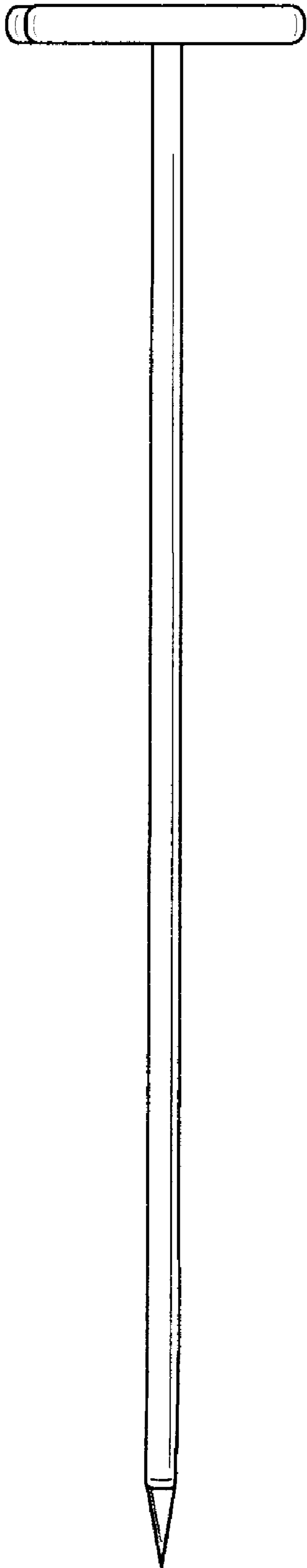


FIG. 6