



US00D550800S

(12) **United States Design Patent** (10) **Patent No.:** **US D550,800 S**  
**Ruggiero et al.** (45) **Date of Patent:** **\*\* Sep. 11, 2007**

(54) **SOLE PLATE FOR GOLF CLUB HEAD**

OTHER PUBLICATIONS

(75) Inventors: **John Ruggiero**, McKinney, TX (US);  
**Clive Roberts**, Allen, TX (US); **Gentry Ferguson**, Dallas, TX (US); **Paul Boe**, Plano, TX (US)

U.S. Registration No. 1,918,108, Miscellaneous Design, Sep. 12, 1995.

U.S. Registration No. 1,947,849, Miscellaneous Design, Jan. 16, 1996.

U.S. Registration No. 2,046,904, Miscellaneous Design, Mar. 25, 1997.

(73) Assignee: **Adams Golf IP, L.P.**, Plano, TX (US)

U.S. Registration No. 2,286,172, Miscellaneous Design, Oct. 12, 1999.

(\*\*) Term: **14 Years**

U.S. Registration No. 2,300,297, Miscellaneous Design, Dec. 14, 1999.

(21) Appl. No.: **29/266,967**

U.S. Registration No. 2,386,855, Miscellaneous Design, Dec. 19, 2000.

(22) Filed: **Oct. 3, 2006**

U.S. Registration No. 2,873,377, Miscellaneous Design, Aug. 17, 2004.

(51) **LOC (8) Cl.** ..... **21-02**

U.S. Registration No. 2,945,844, Miscellaneous Design, May 3, 2005.

(52) **U.S. Cl.** ..... **D21/759**

\* cited by examiner

(58) **Field of Classification Search** ..... D21/733,  
D21/752, 759; 473/324-331, 343-346  
See application file for complete search history.

*Primary Examiner*—Mitchell Siegel

(74) *Attorney, Agent, or Firm*—Welsh & Flaxman LLC

(56) **References Cited**

(57) **CLAIM**

U.S. PATENT DOCUMENTS

The ornamental design for a sole plate for a golf club head, as shown and described.

D357,290 S	4/1995	Viollaz et al.	
D365,129 S	12/1995	Guibaud et al.	
5,547,188 A	8/1996	Dumontier et al.	
D398,681 S	9/1998	Galy	
D433,073 S	10/2000	Sodano	
D481,090 S *	10/2003	Antonious	D21/752
D481,091 S *	10/2003	Antonious	D21/752
D496,420 S	9/2004	Nishitani et al.	
D499,157 S *	11/2004	Antonious	D21/752
D502,976 S	3/2005	Nishitani et al.	
D506,236 S	6/2005	Evans et al.	
D516,651 S	3/2006	Evans et al.	
D523,505 S	6/2006	Foster et al.	
D524,890 S	7/2006	Foster et al.	
D524,891 S	7/2006	Foster et al.	
D538,368 S *	3/2007	Rollinson et al.	D21/752
2001/0011044 A1	8/2001	Galy	
2006/0148586 A1	7/2006	Williams et al.	
2006/0148587 A1	7/2006	Stevens et al.	
2006/0148588 A1	7/2006	Gibbs et al.	

**DESCRIPTION**

FIG. 1 is a bottom perspective view from the toe side of a golf club head showing the sole plate of our new design.

FIG. 2 is a bottom perspective view from the heel side thereof.

FIG. 3 is a bottom plan view thereof.

FIG. 4 is a front view thereof.

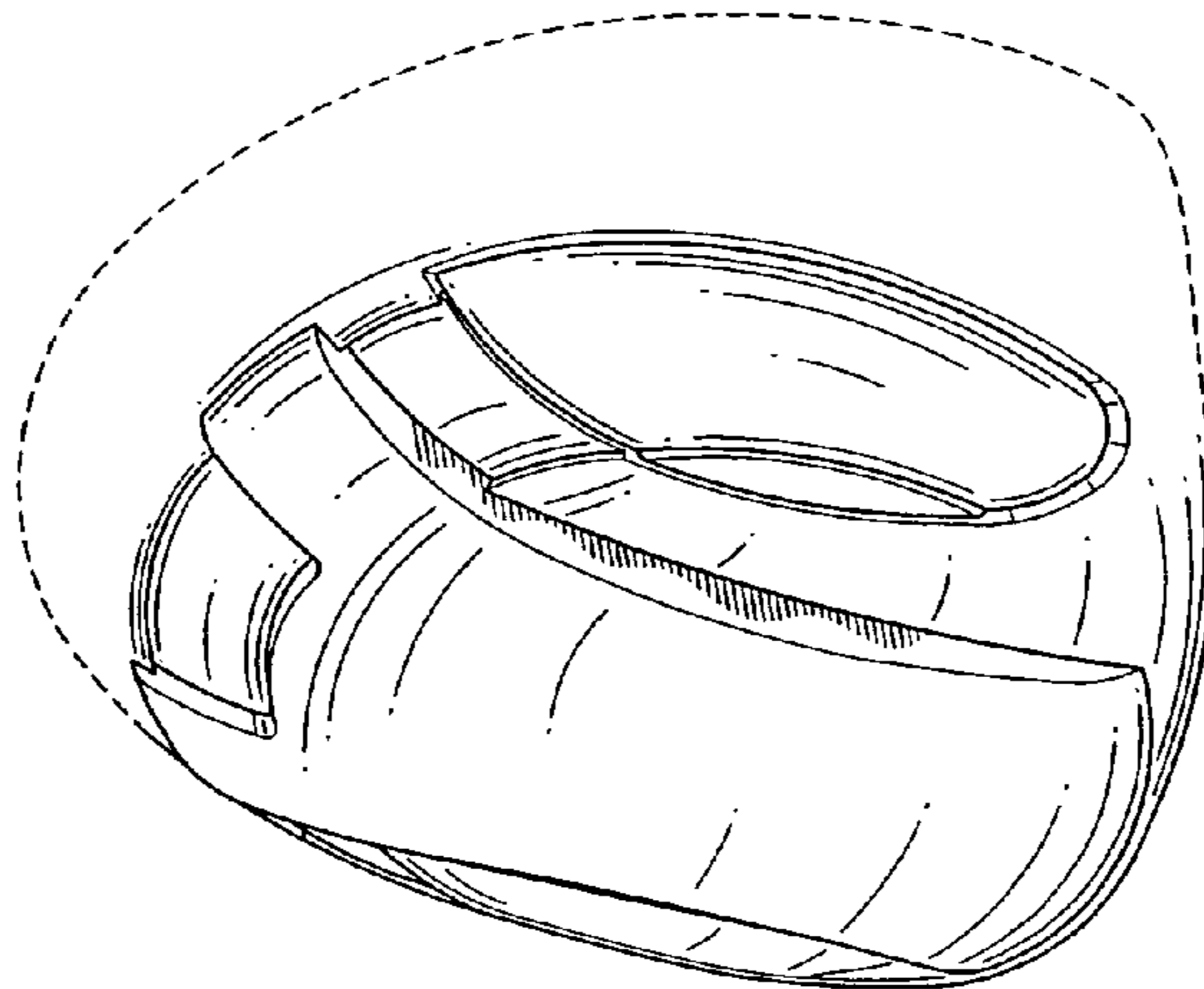
FIG. 5 is a rear view thereof.

FIG. 6 is a toe side view; and,

FIG. 7 is a heel side view.

The broken lines in the drawings are for the purpose of showing environmental structure and do not form part of the design to be patented.

**1 Claim, 3 Drawing Sheets**



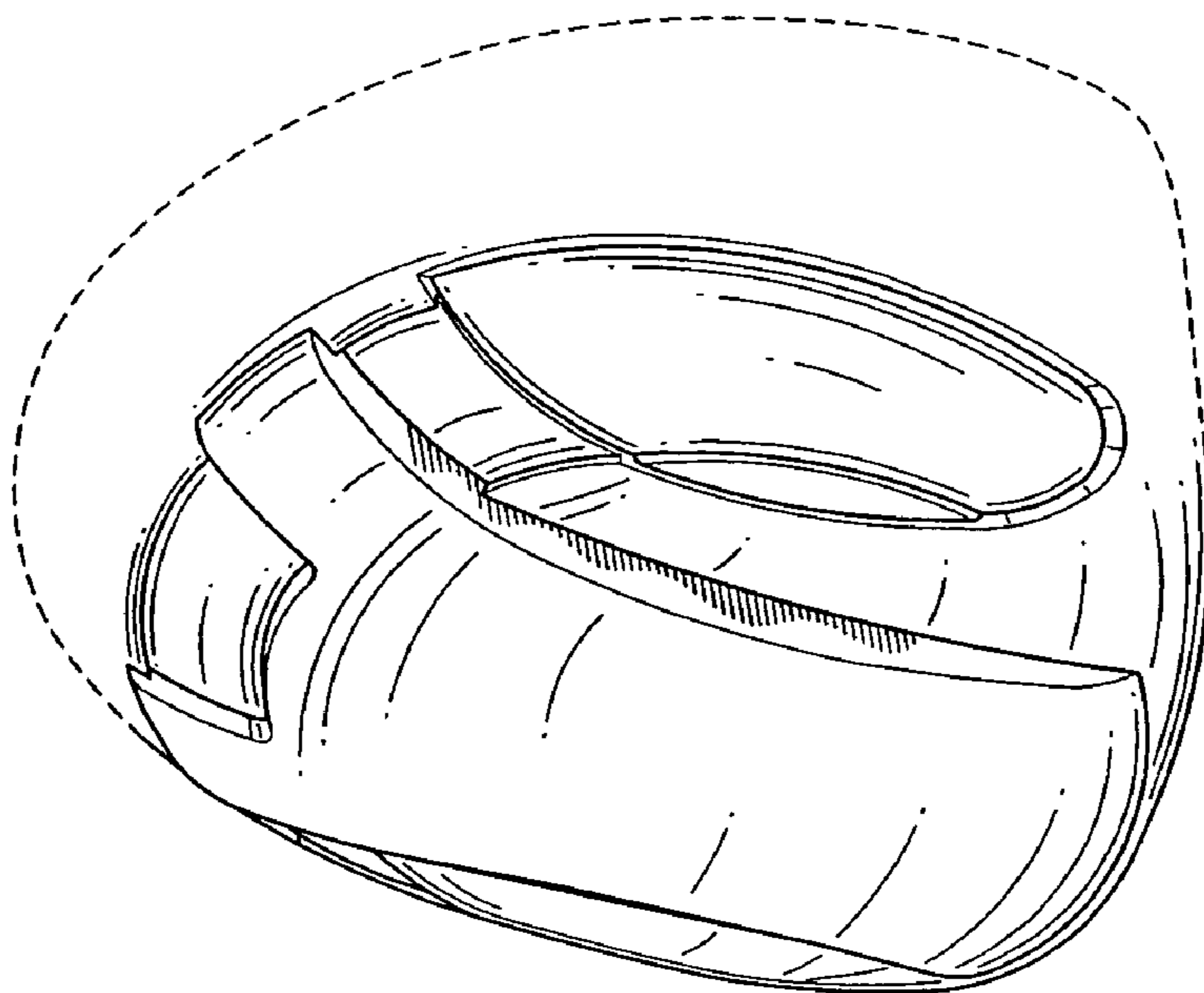


FIG. 1

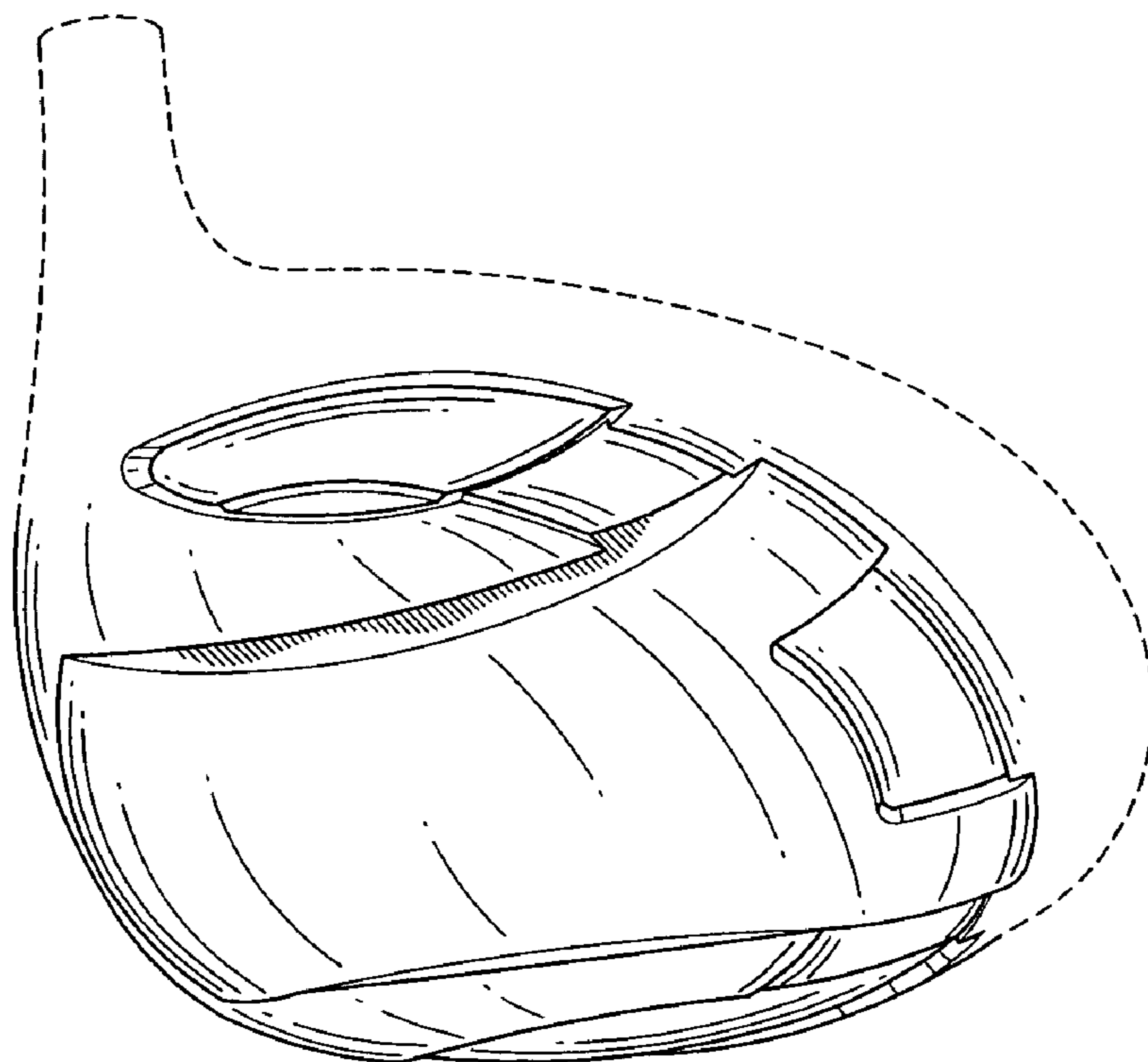


FIG. 2

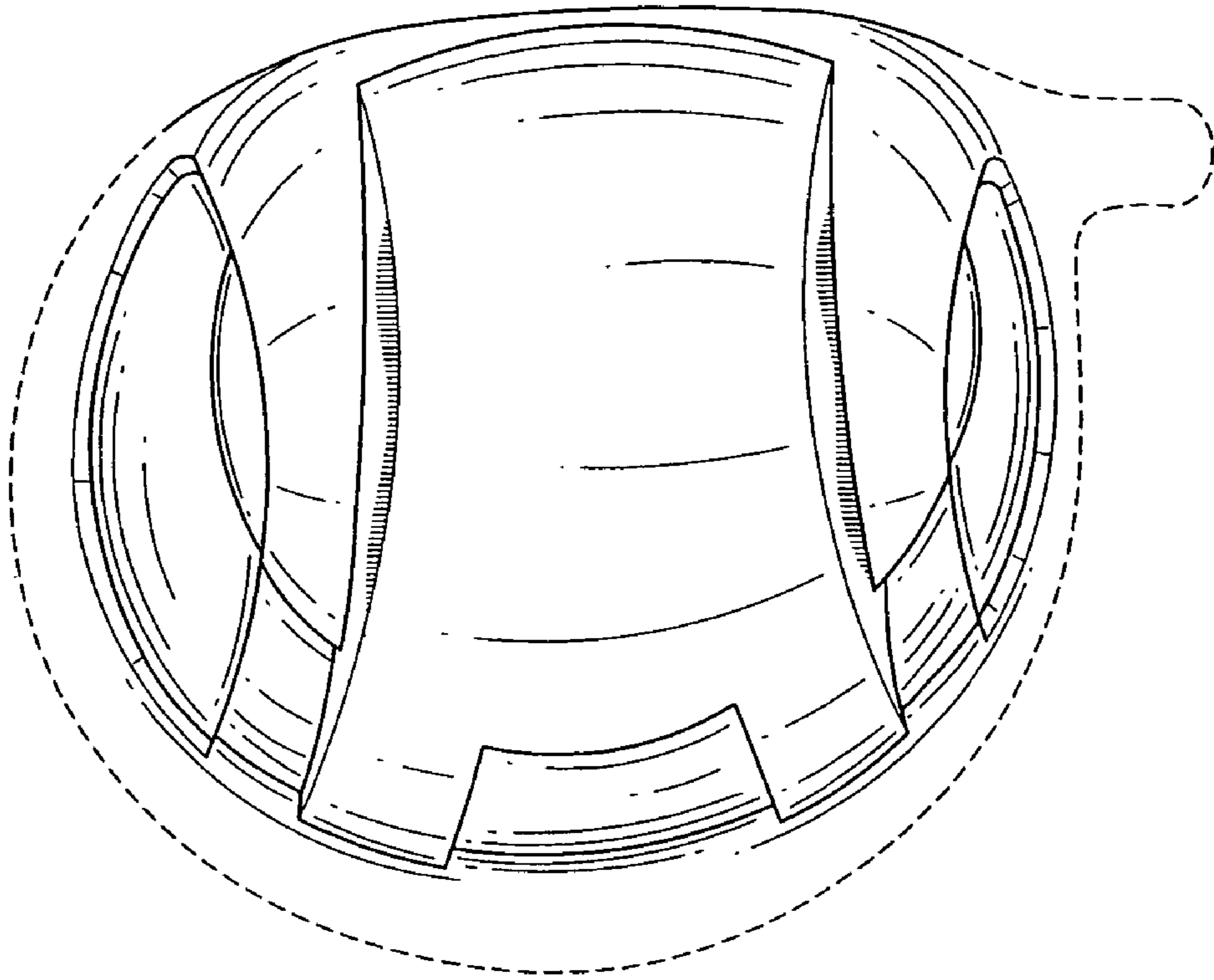


FIG. 3

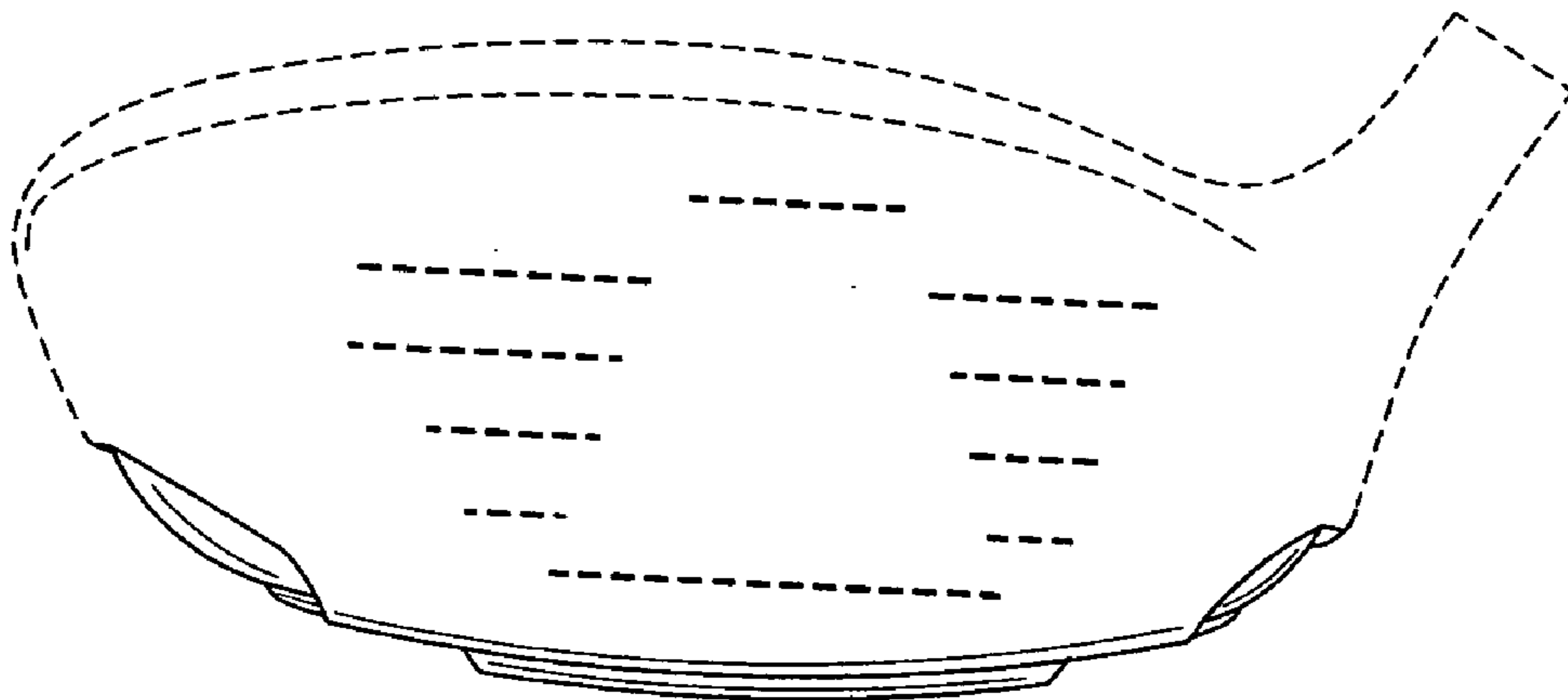


FIG. 4

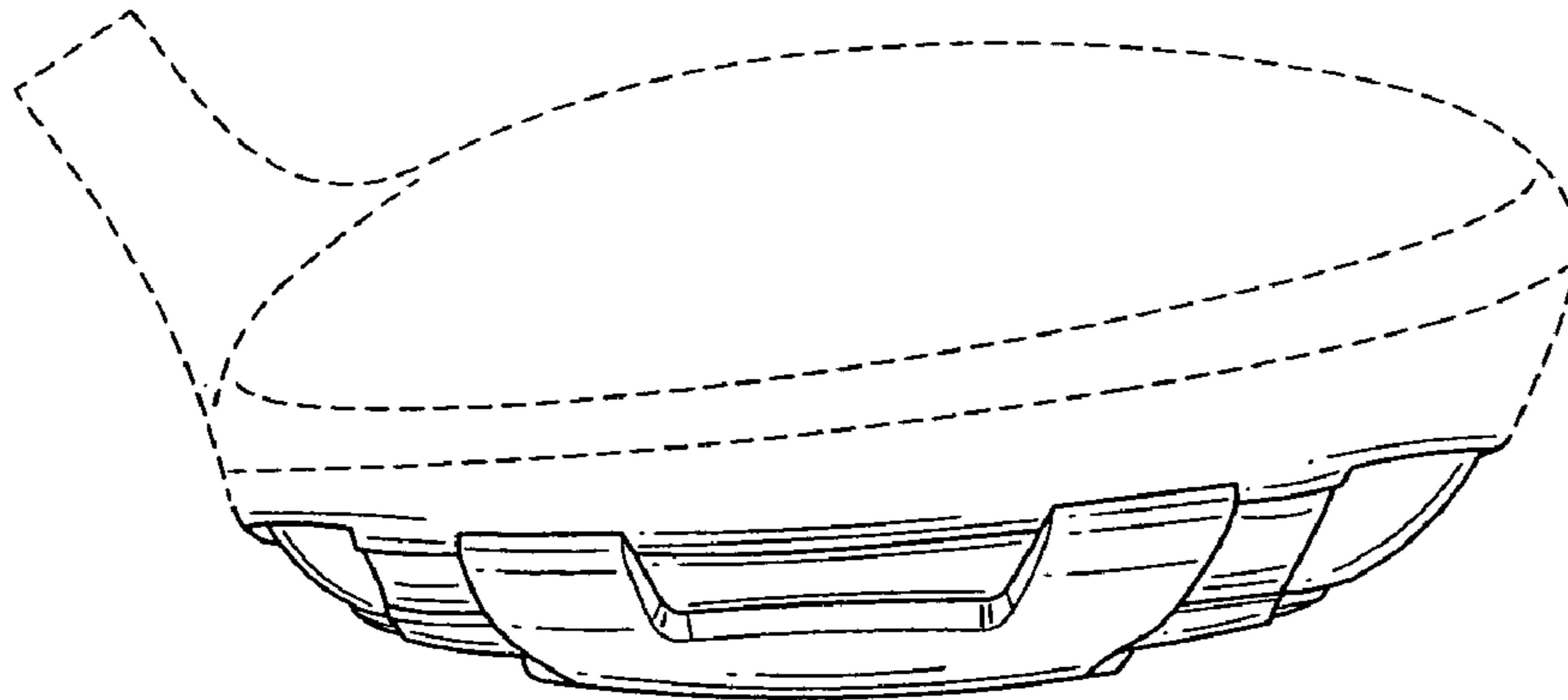


FIG. 5

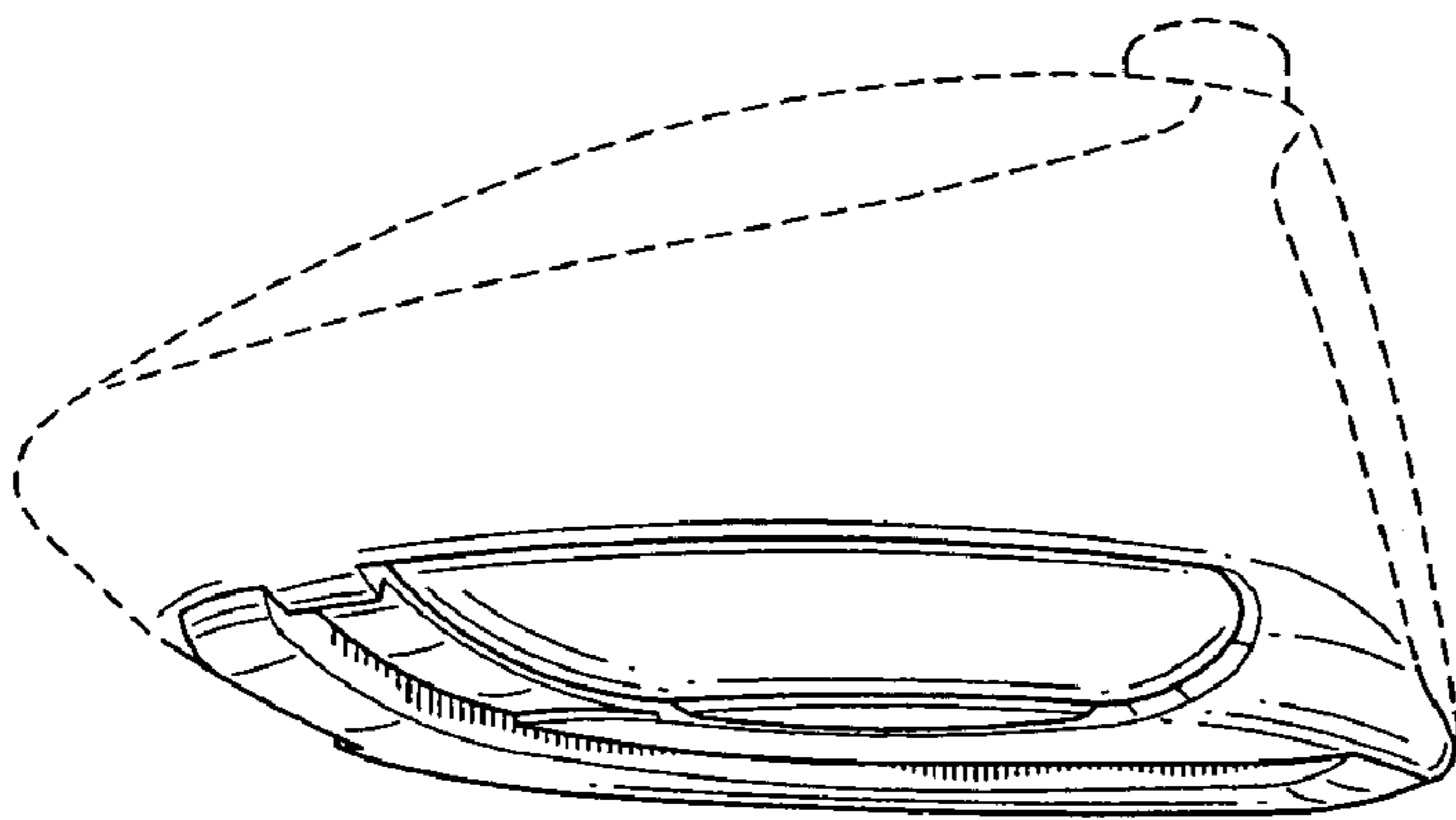


FIG. 6

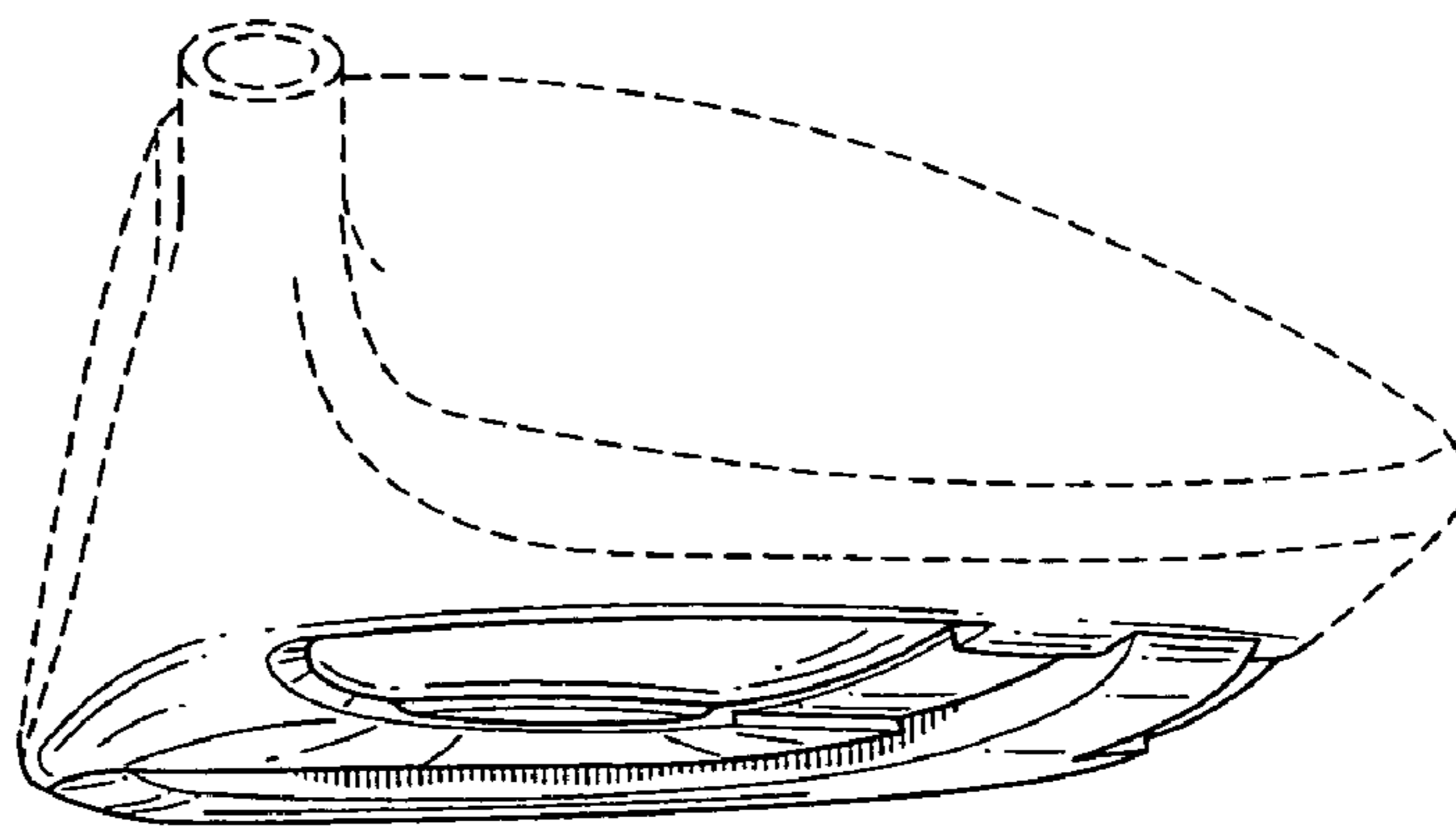


FIG. 7