



US00D550799S

(12) **United States Design Patent** (10) **Patent No.:** **US D550,799 S**
Lin (45) **Date of Patent:** **** Sep. 11, 2007**

(54) **GOLF CLUB HEAD**

(75) Inventor: **Richard Lin**, Fullerton, CA (US)

(73) Assignee: **Hireko Trading Company, Inc.**, City of Industry, CA (US)

(**) Term: **14 Years**

(21) Appl. No.: **29/261,241**

(22) Filed: **Jun. 9, 2006**

(51) **LOC (8) Cl.** **21-02**

(52) **U.S. Cl.** **D21/759**

(58) **Field of Classification Search** D21/733,
D21/752, 759; 473/324-331, 343-346
See application file for complete search history.

(56) **References Cited**

U.S. PATENT DOCUMENTS

D191,173 S *	8/1961	Mizejewski	D21/759
D490,489 S *	5/2004	Madore	D21/759
D502,521 S *	3/2005	Kelly	D21/759
D526,374 S *	8/2006	Kawami	D21/759
D534,979 S *	1/2007	Chau et al.	D21/759
D536,049 S *	1/2007	Evans et al.	D21/759
D536,401 S *	2/2007	Kawami	D21/759

D536,402 S *	2/2007	Kawami	D21/759
D537,139 S *	2/2007	Breier et al.	D21/759
D538,370 S *	3/2007	Breier et al.	D21/759
D538,371 S *	3/2007	Kawami	D21/759

* cited by examiner

Primary Examiner—Mitchell Siegel

(74) *Attorney, Agent, or Firm*—Christie, Parker & Hale, LLP.

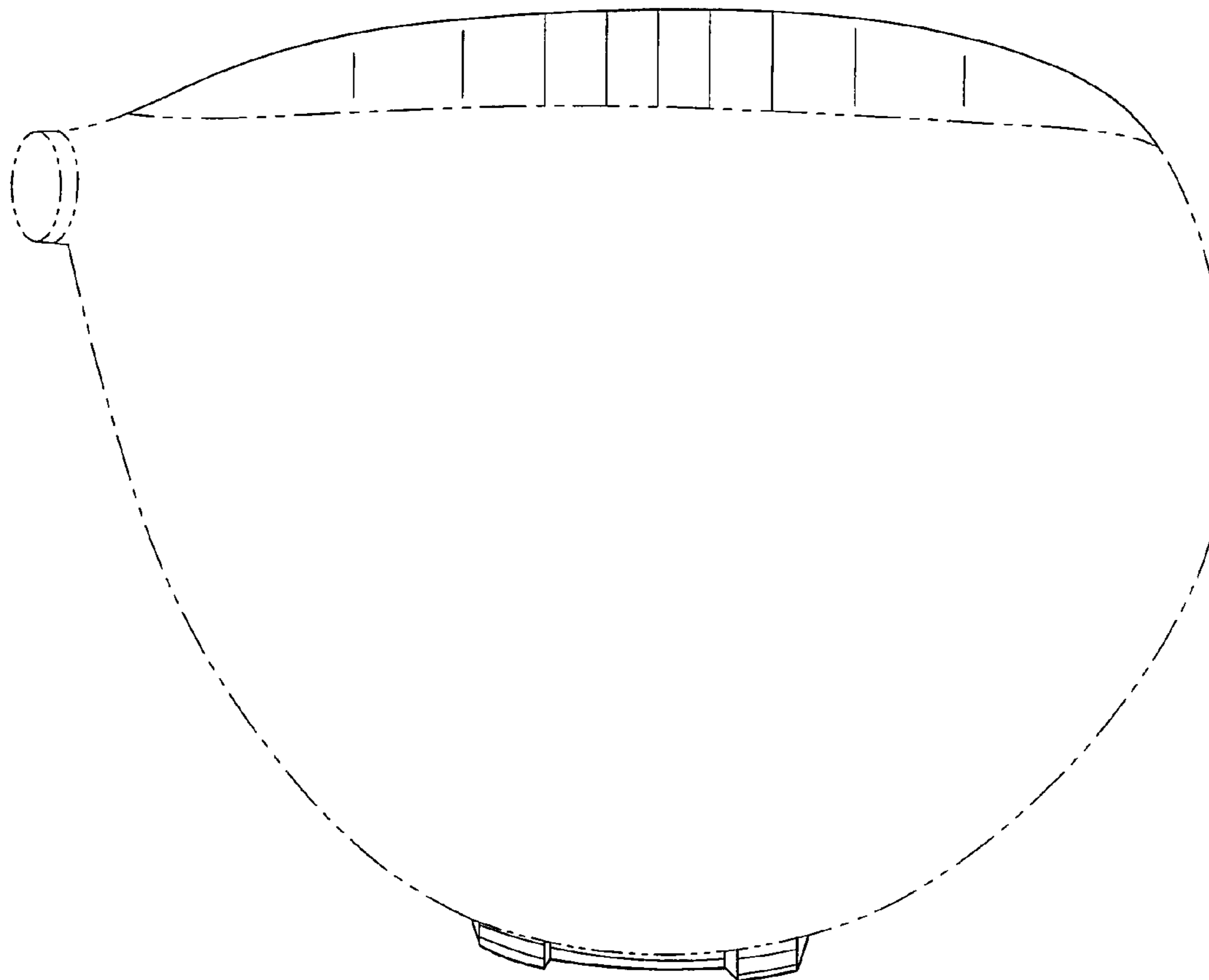
(57) **CLAIM**

The ornamental design for golf club head, as shown and described.

DESCRIPTION

FIG. 1 is a top view showing my new golf club head design. FIG. 2 is a bottom view of my new golf club head design; FIG. 3 is a rear view of my new golf club head design; FIG. 4 is a heel end view of my new golf club head design; and, FIG. 5 is a toe end view of my new golf club head design. The broken lines showing portions of the golf club head form no part of the claimed design.

1 Claim, 5 Drawing Sheets



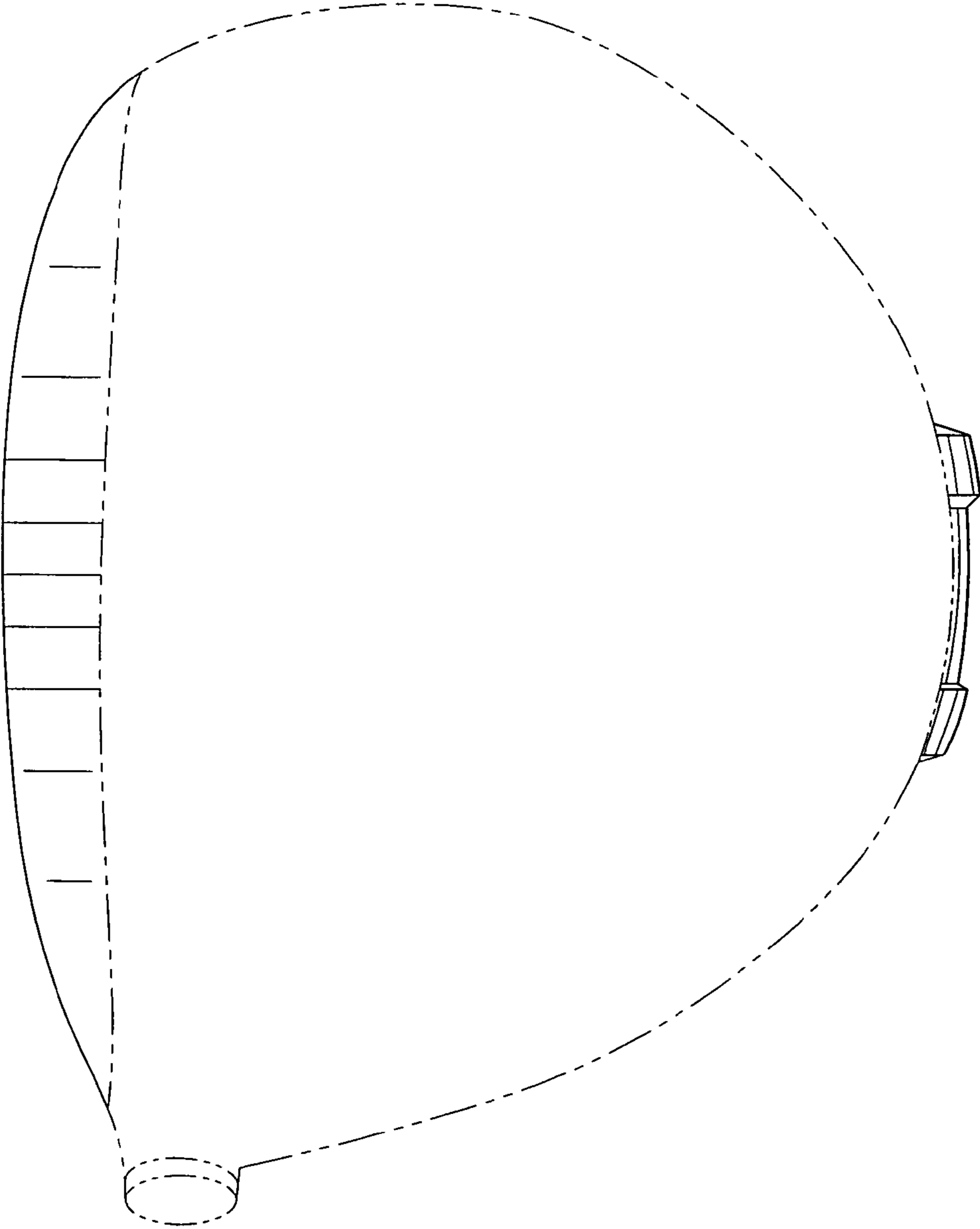


FIG. 1

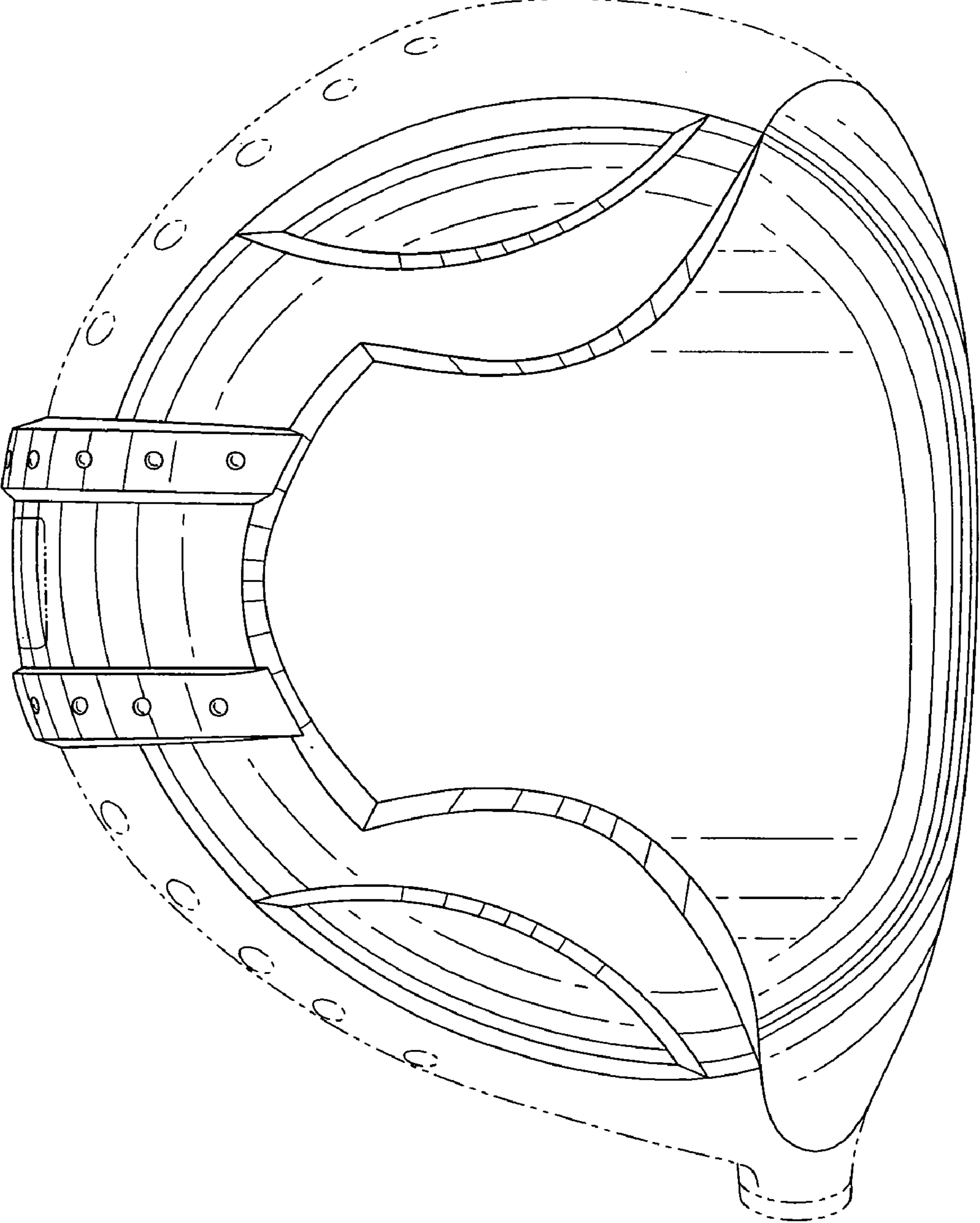


FIG. 2

FIG. 3

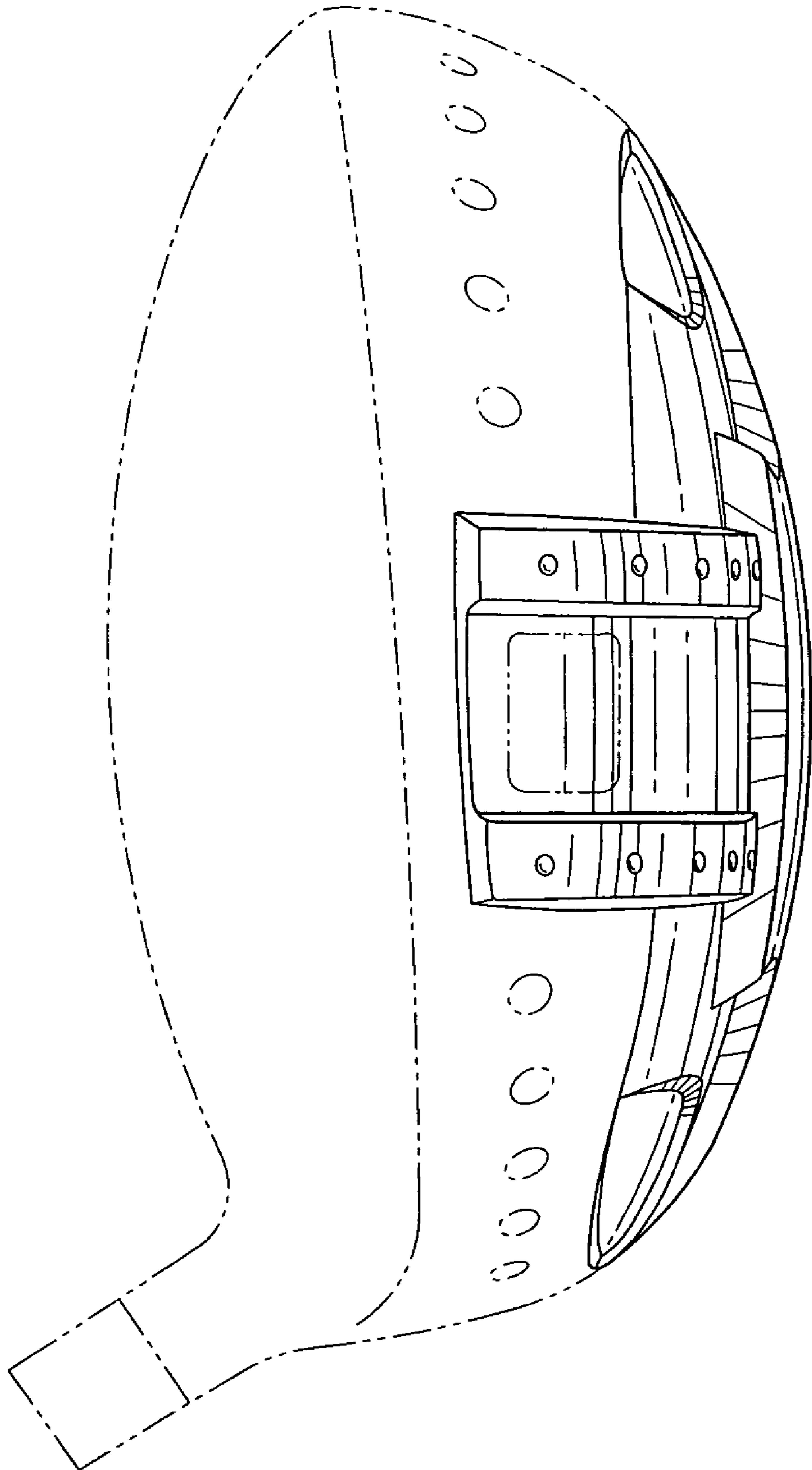


FIG. 4

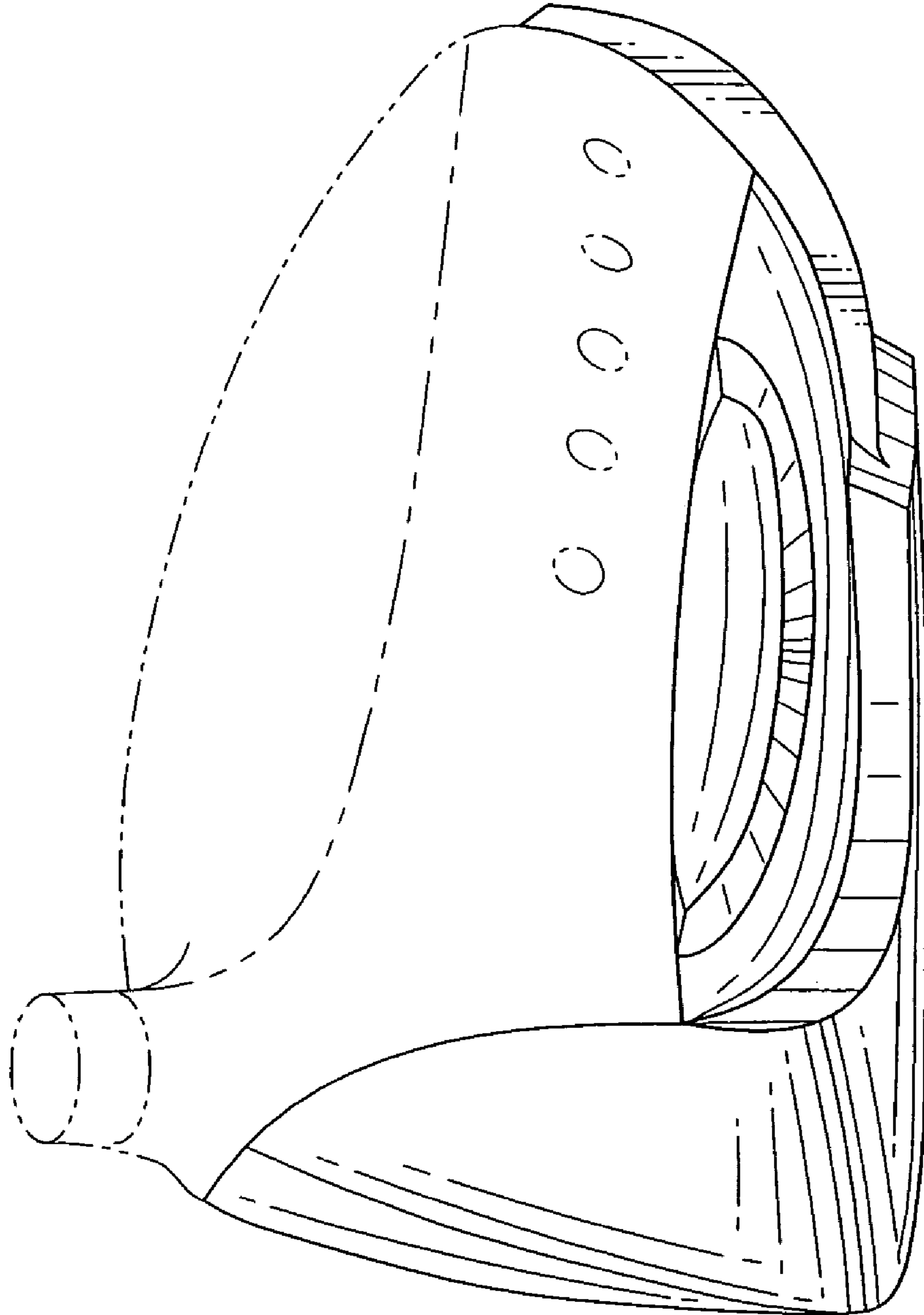


FIG. 5

