



US00D550796S

(12) **United States Design Patent** (10) **Patent No.:** **US D550,796 S**  
**Nagai et al.** (45) **Date of Patent:** **\*\* Sep. 11, 2007**

(54) **LOWER BACK PORTION OF A GOLF IRON**

*Primary Examiner*—Mitchell Siegel  
(74) *Attorney, Agent, or Firm*—Troutman Sanders, LLP;  
James E. Schutz

(75) Inventors: **Masao Nagai**, Osaka (JP); **David Llewellyn**, Duluth, GA (US); **Harry B. Taylor**, Old Hickory, TN (US)

(73) Assignee: **Mizuno USA**, Norcross, GA (US)

(\*\*) Term: **14 Years**

(21) Appl. No.: **29/248,955**

(22) Filed: **Sep. 12, 2006**

(51) **LOC (8) Cl.** ..... **21-02**

(52) **U.S. Cl.** ..... **D21/759**

(58) **Field of Classification Search** ..... D21/747–751,  
D21/759; 473/324–331, 350  
See application file for complete search history.

(56) **References Cited**

U.S. PATENT DOCUMENTS

D492,376 S *	6/2004	Nicolette et al. ....	D21/747
D503,204 S *	3/2005	Nicolette et al. ....	D21/749
D521,095 S *	5/2006	Nagai et al. ....	D21/759
D523,501 S *	6/2006	Nicolette et al. ....	D21/749
D529,974 S *	10/2006	Nagai et al. ....	D21/759
7,207,900 B2 *	4/2007	Nicolette et al. ....	473/334

\* cited by examiner

(57) **CLAIM**

The ornamental design for the lower back portion of a golf iron, as shown and described.

**DESCRIPTION**

FIG. 1 is a perspective view of a design for a fragmentary portion of the lower back portion of a golf iron;

FIG. 2 is a rear elevation of the design shown in FIG. 1;

FIG. 3 is a toe elevation of the design shown in FIG. 2;

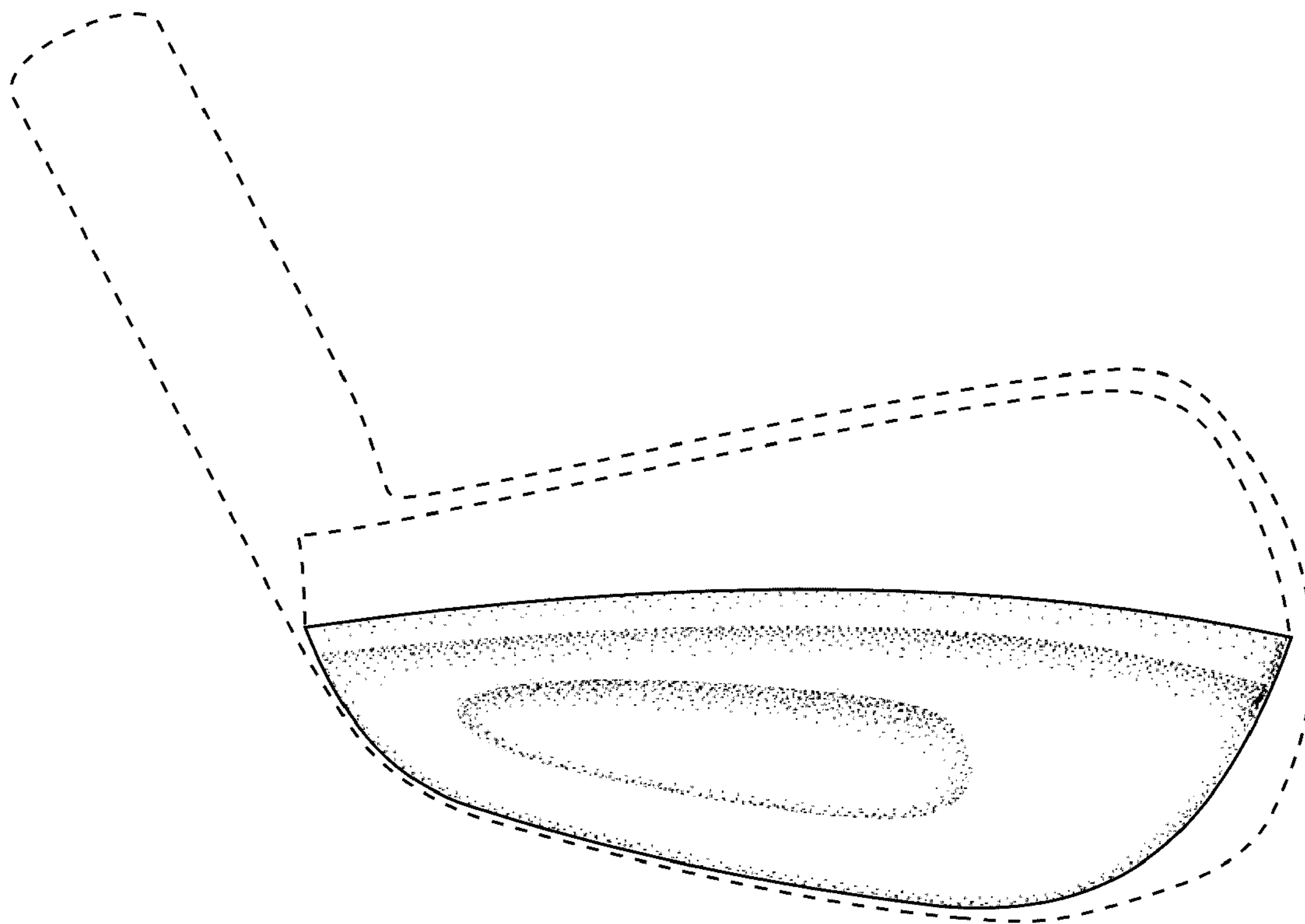
FIG. 4 is a planar cross-section taken along lines 4—4 in FIG. 2;

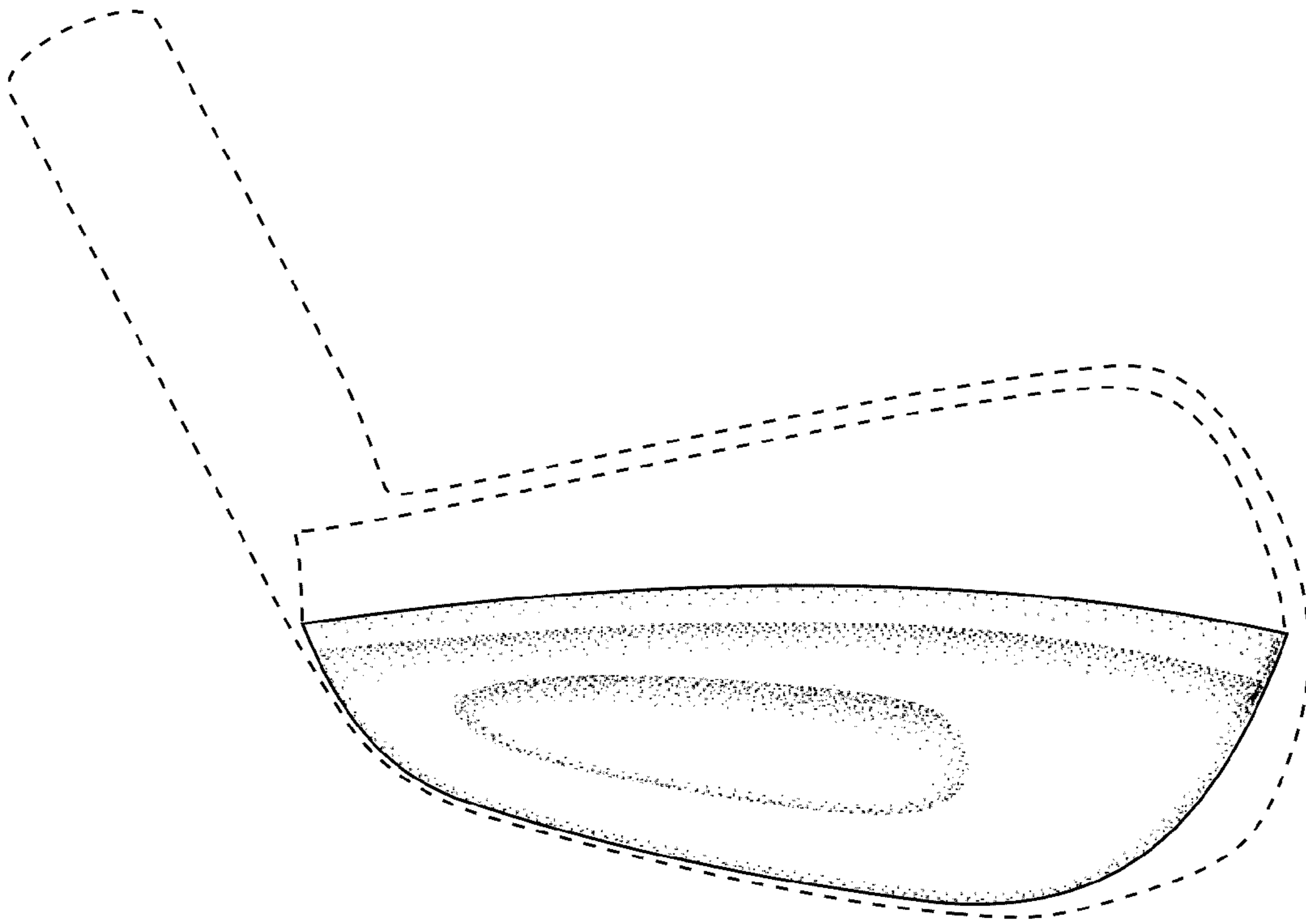
FIG. 5 is a planar cross-section taken along lines 5—5 in FIG. 2; and,

FIG. 6 is a planar cross-section taken along lines 6—6 in FIG. 2.

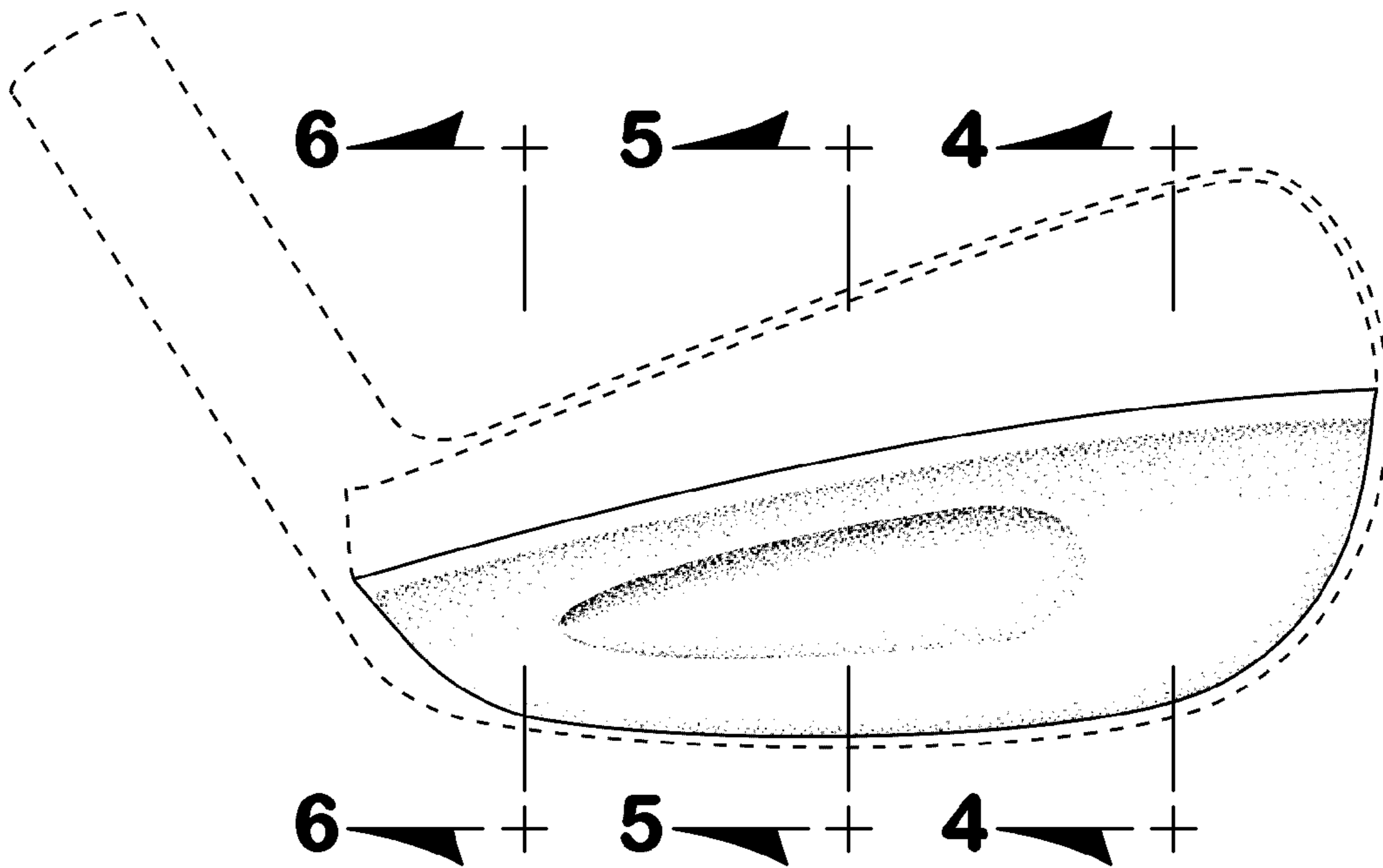
The broken line showing is included for the purpose of illustrating and forms no part of the claimed design.

**1 Claim, 2 Drawing Sheets**

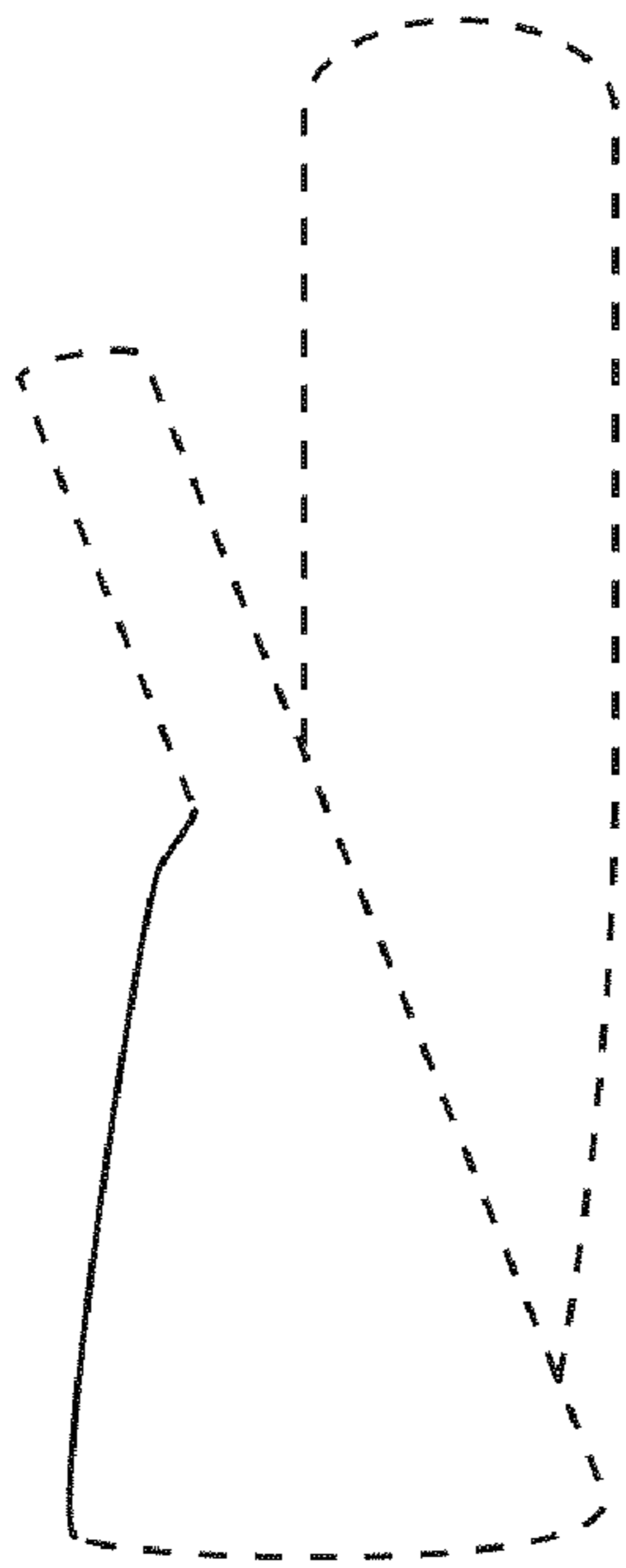




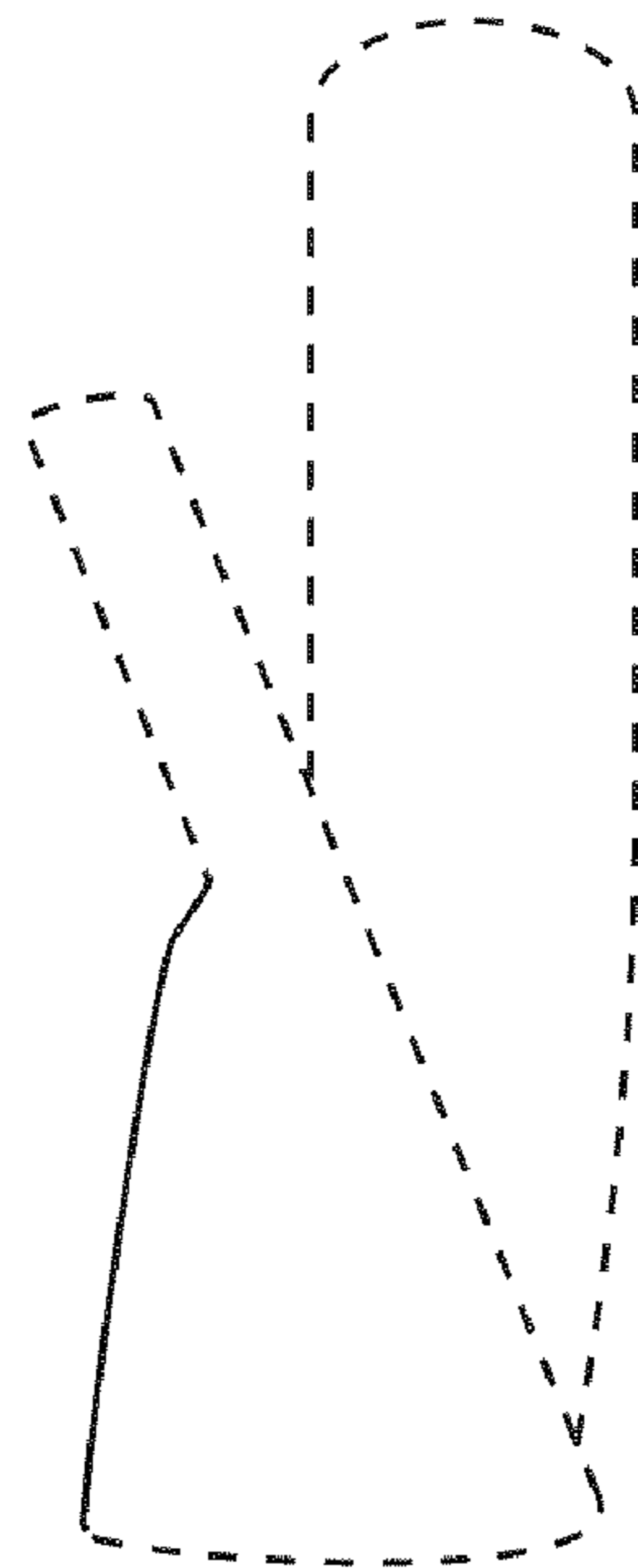
**FIG. 1**



**FIG. 2**



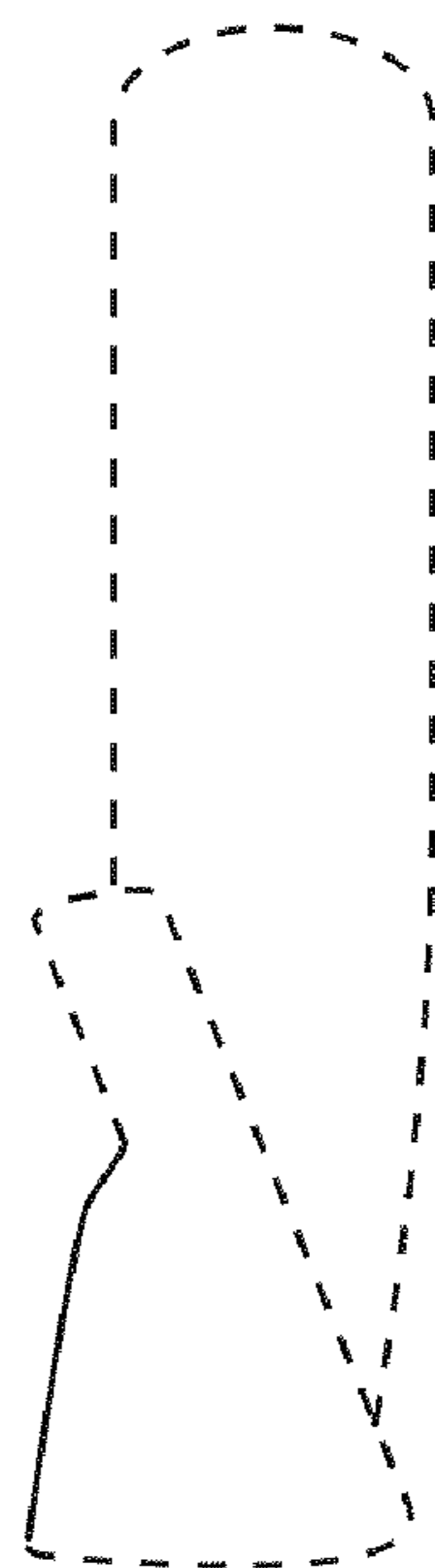
**FIG. 3**



**FIG. 4**



**FIG. 5**



**FIG. 6**