



US00D550795S

(12) **United States Design Patent**
Tateno

(10) **Patent No.:** **US D550,795 S**

(45) **Date of Patent:** **** Sep. 11, 2007**

(54) **PUTTER HEAD**

(75) Inventor: **Atsuo Tateno**, Tokyo (JP)

(73) Assignee: **Bridgestone Sports Co., Ltd.**, Tokyo (JP)

(**) Term: **14 Years**

(21) Appl. No.: **29/260,991**

(22) Filed: **Jun. 6, 2006**

(30) **Foreign Application Priority Data**

Apr. 5, 2006 (JP) 2006-008842

(51) **LOC (8) Cl.** **21-02**

(52) **U.S. Cl.** **D21/744**

(58) **Field of Classification Search** D21/736-746;
473/324-331, 340-341, 251-256
See application file for complete search history.

(56) **References Cited**

U.S. PATENT DOCUMENTS

- D421,471 S * 3/2000 Moldovan D21/744
- D521,088 S * 5/2006 Mercier D21/736
- D532,844 S * 11/2006 Rollinson D21/736
- D532,845 S * 11/2006 Rollinson D21/736

D534,974 S * 1/2007 Haack D21/743

* cited by examiner

Primary Examiner—Mitchell Siegel

(74) *Attorney, Agent, or Firm*—Sughrue Mion, PLLC

(57) **CLAIM**

The ornamental design for putter head, as shown and described.

DESCRIPTION

FIG. 1 is a front view of putter head embodying my new design;

FIG. 2 is a rear view thereof;

FIG. 3 is a right side view thereof;

FIG. 4 is a left side view thereof;

FIG. 5 is a plane view thereof;

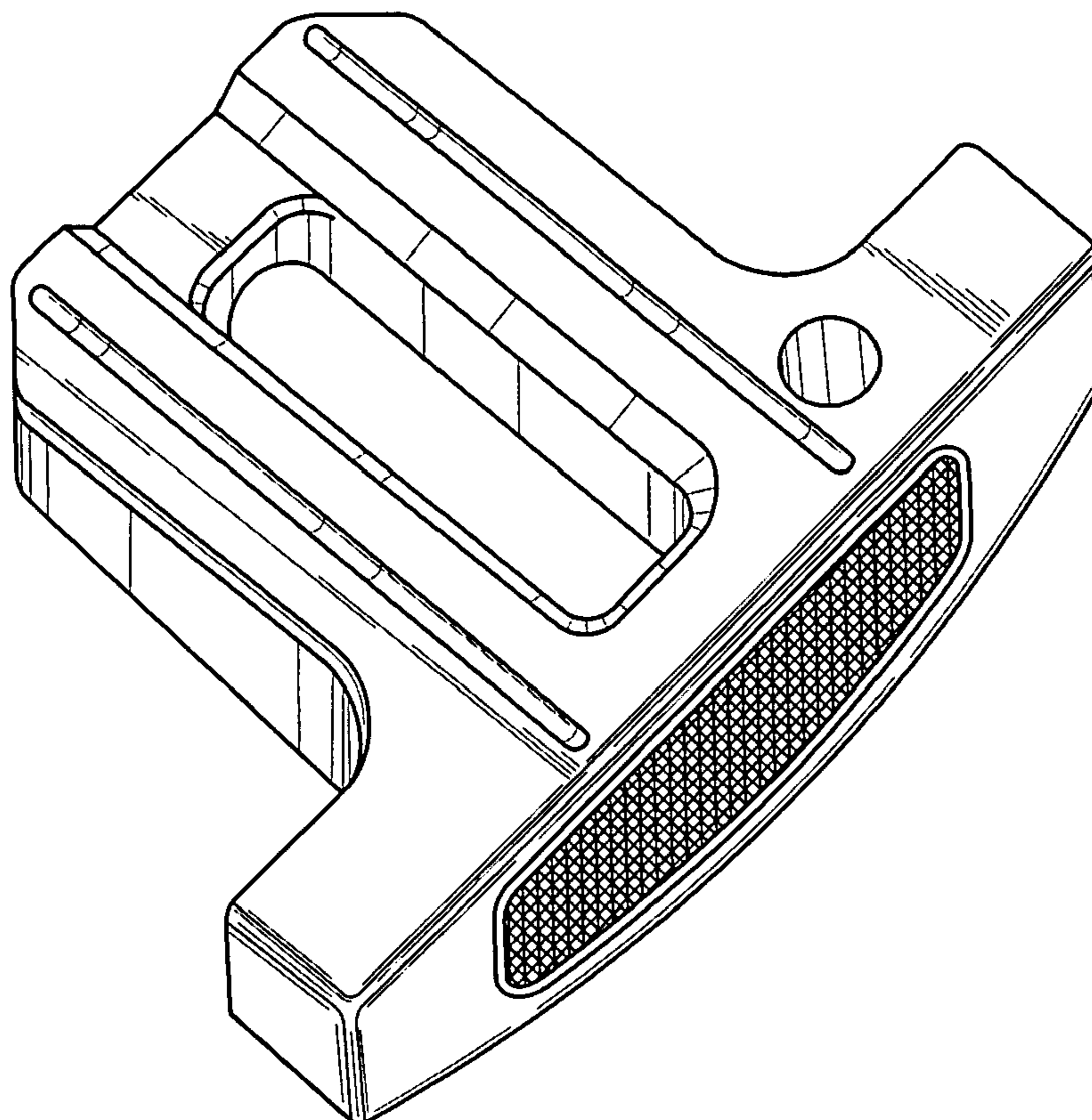
FIG. 6 is a bottom view thereof;

FIG. 7 is a cross-sectional view taken on line 7—7 of FIG. 1;

FIG. 8 is a cross sectional view taken on line 8—8 of FIG. 3; and,

FIG. 9 is a top perspective view of FIG. 1.

1 Claim, 3 Drawing Sheets



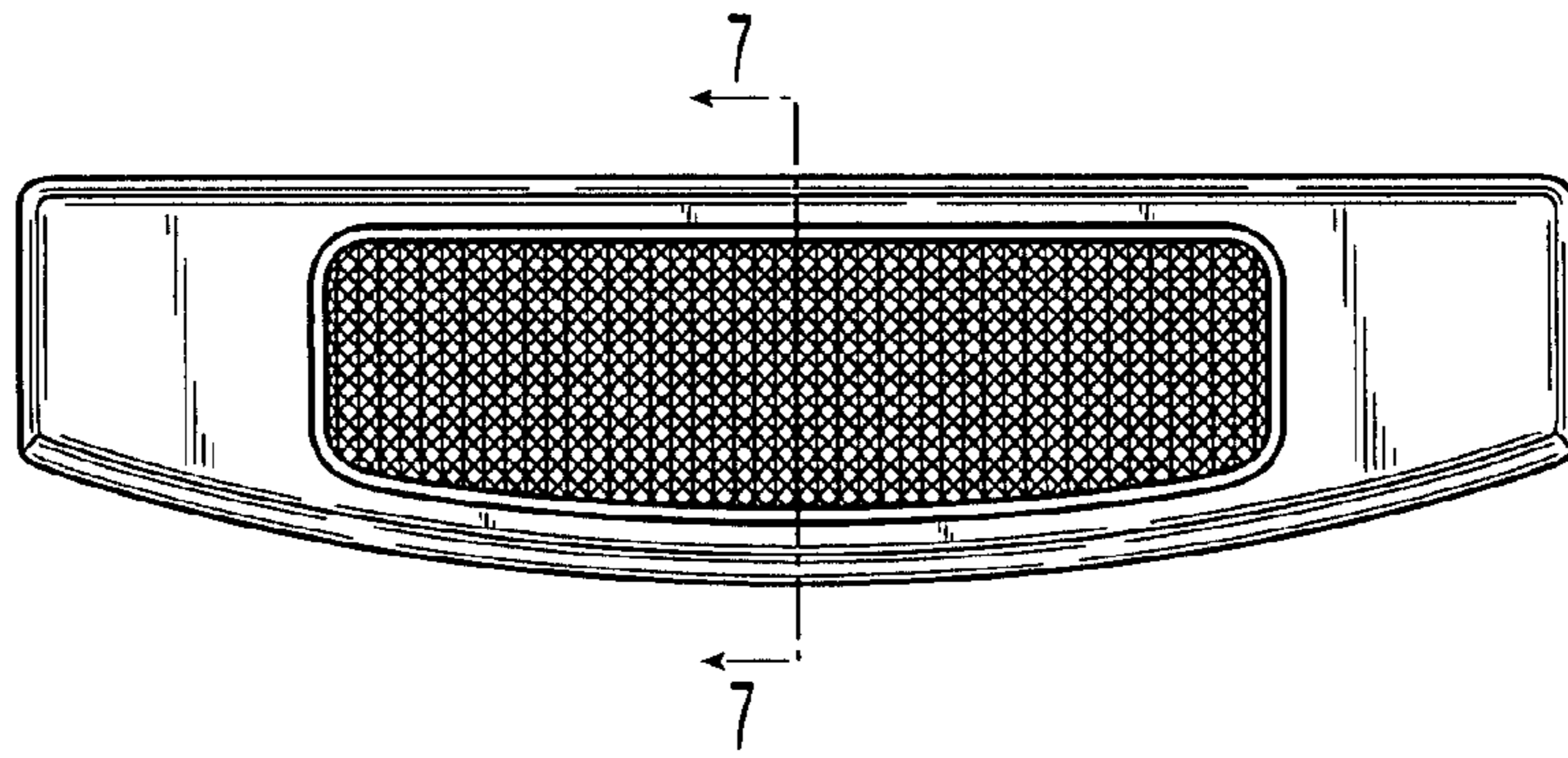


Fig. 1

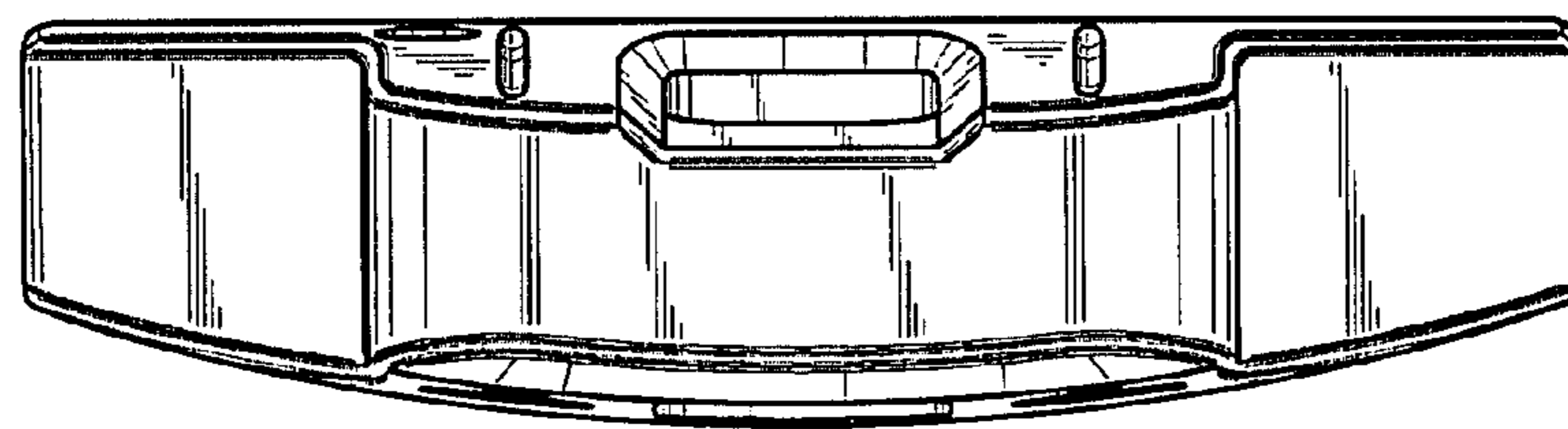


Fig. 2

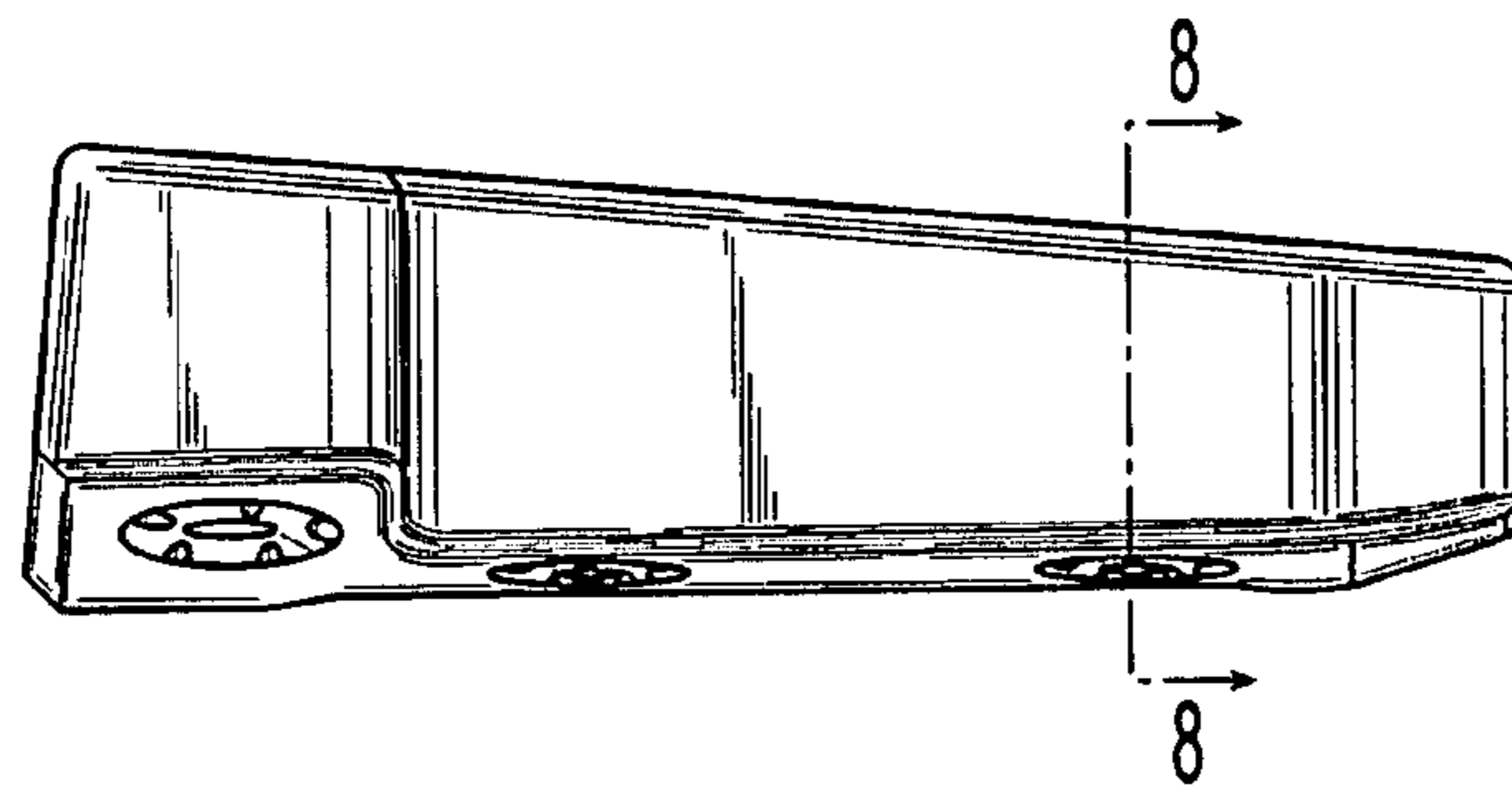


Fig. 3

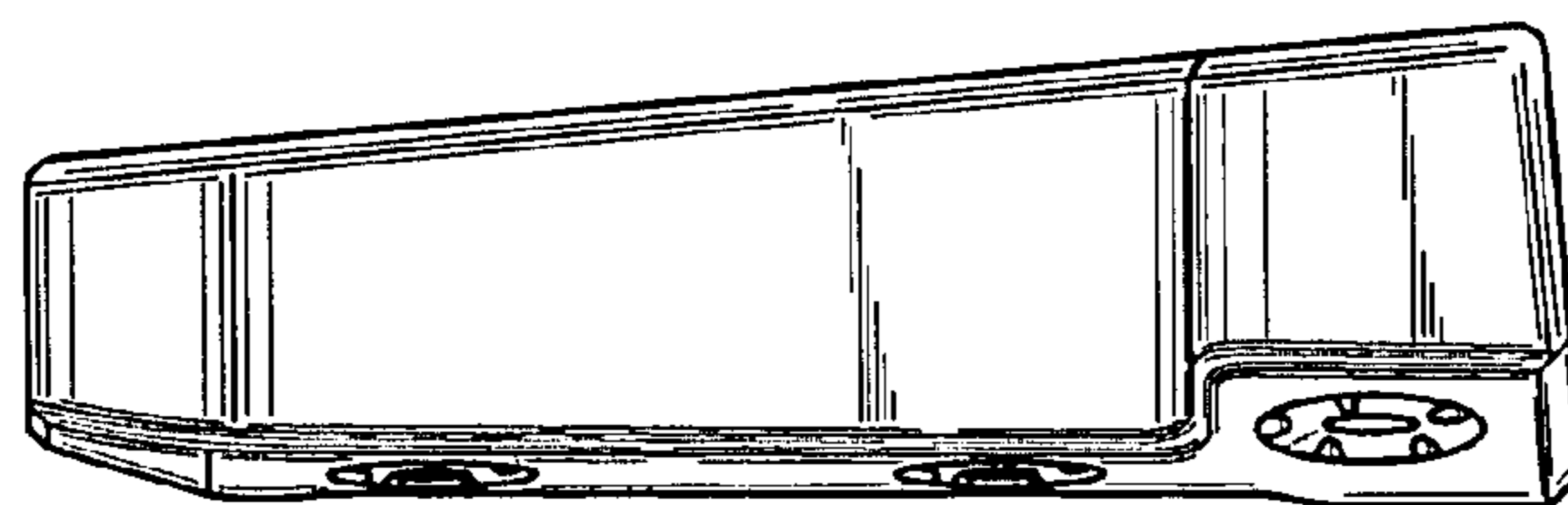


Fig. 4

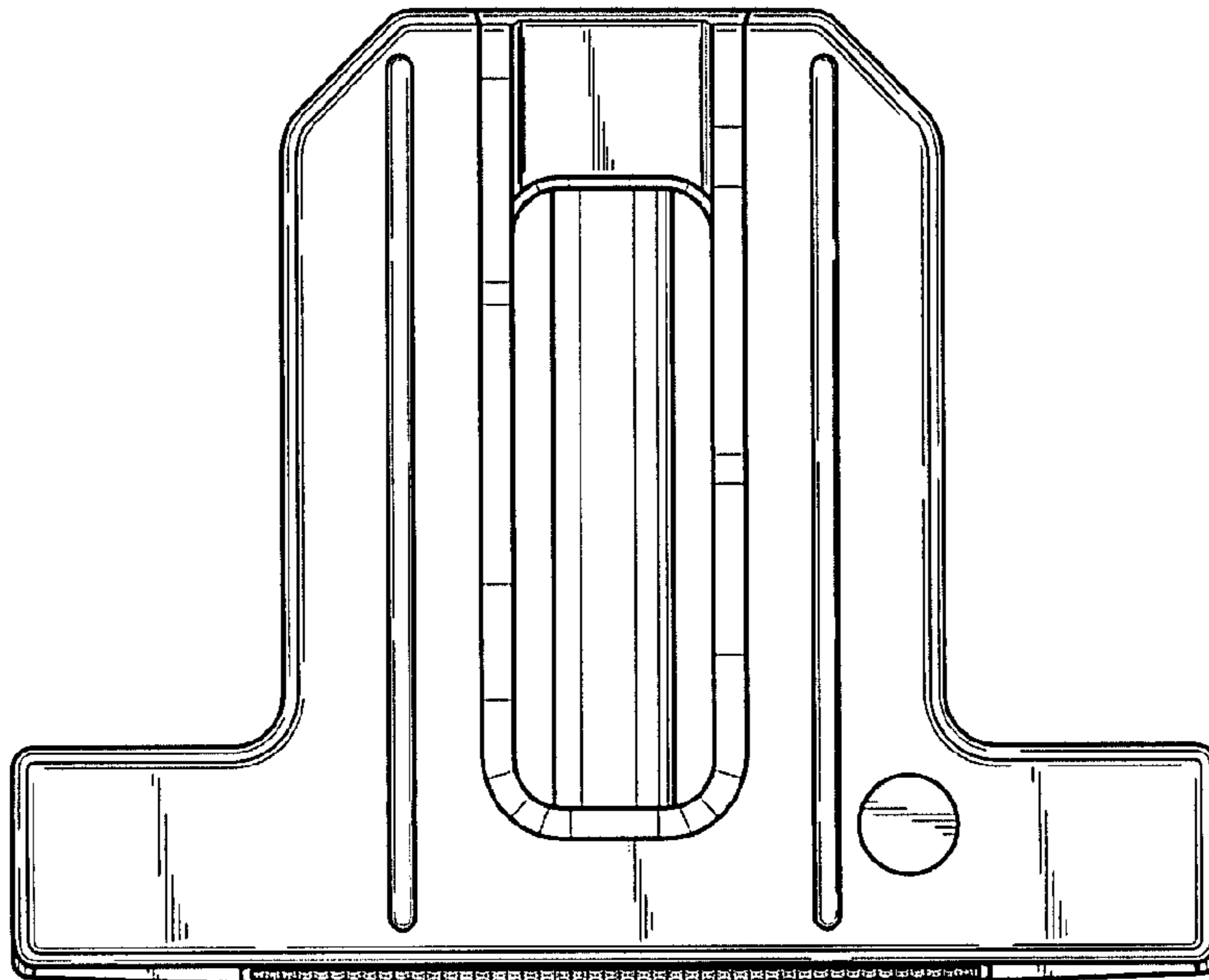


Fig. 5

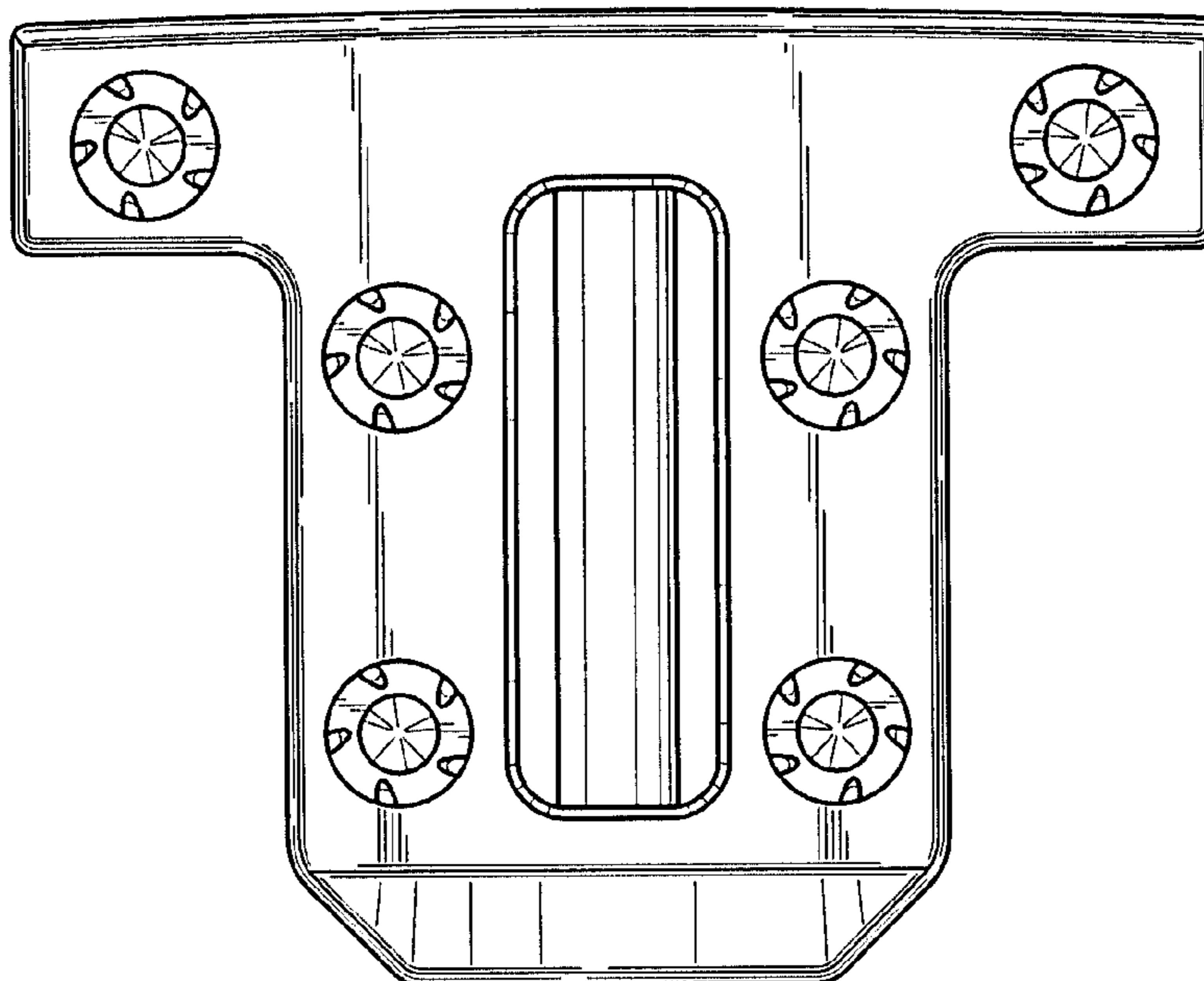


Fig. 6

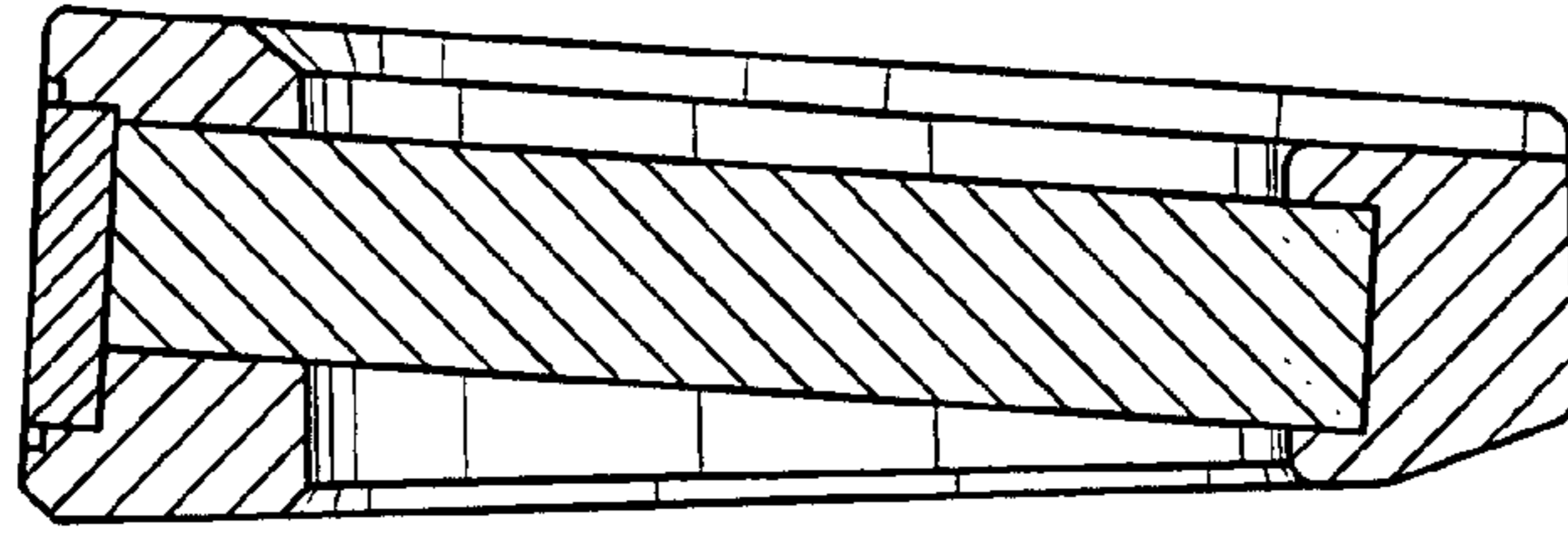


Fig. 7

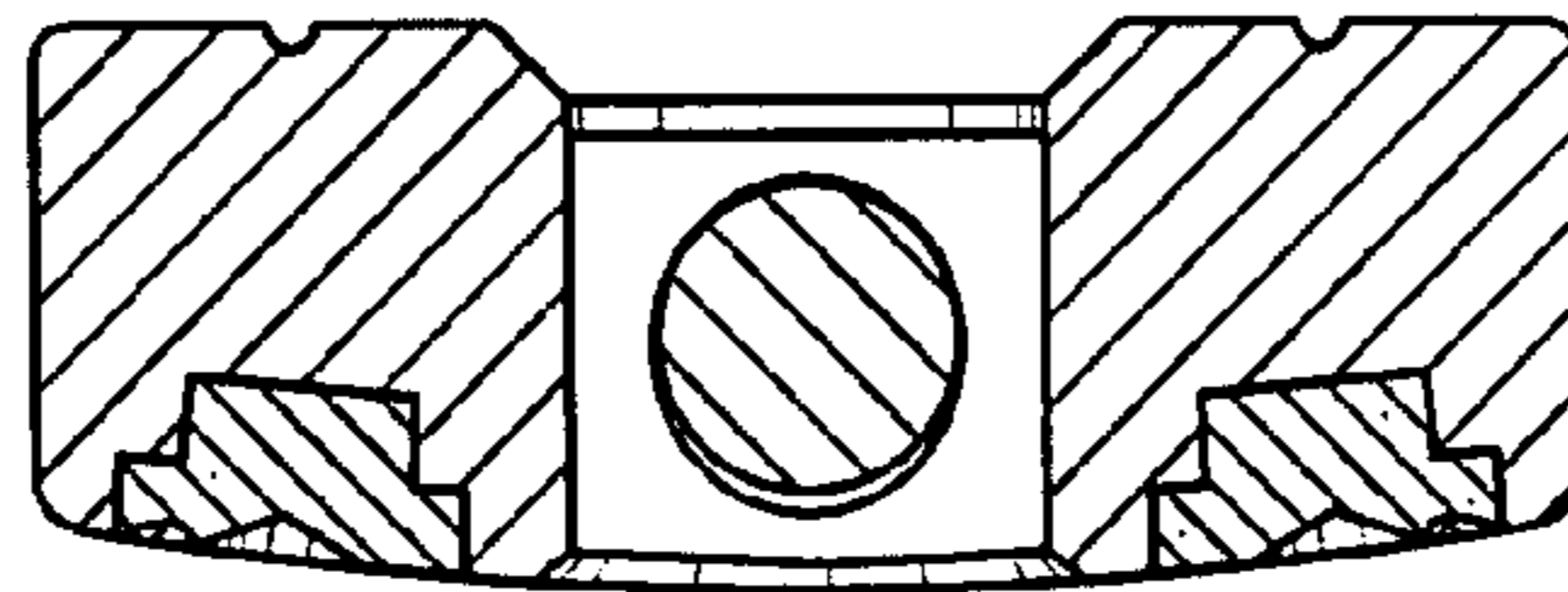


Fig. 8

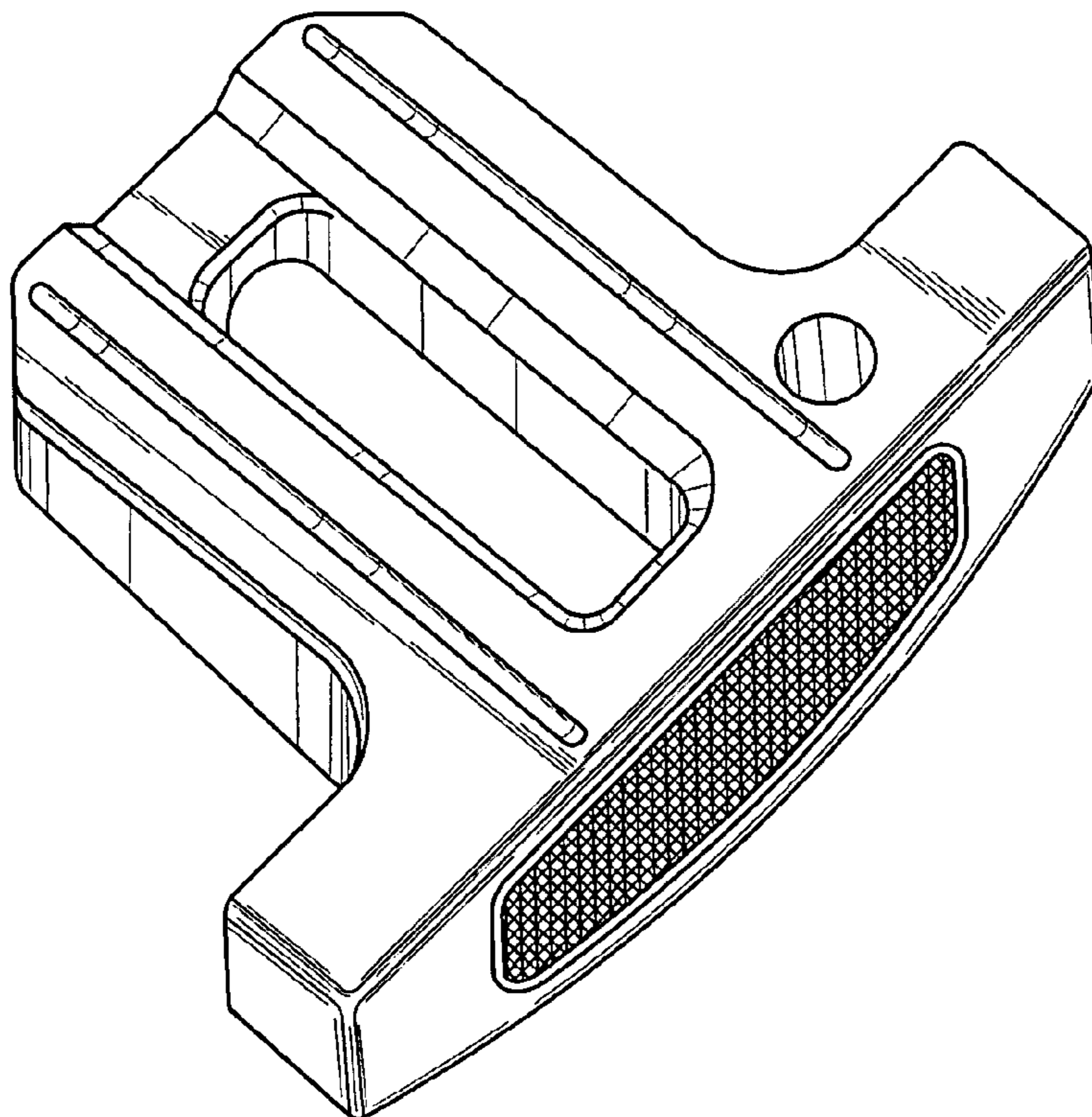


Fig. 9